



US00D832989S

(12) **United States Design Patent**  
**Breit et al.**

(10) **Patent No.:** **US D832,989 S**

(45) **Date of Patent:** **\*\* Nov. 6, 2018**

(54) **FAN**  
(71) Applicant: **O2COOL, LLC**, Chicago, IL (US)  
(72) Inventors: **Oliver Breit**, Discovery Bay (HK);  
**David Kerr**, Hong Kong (HK);  
**Michael Ksiazek**, Burr Ridge, IL (US)  
(73) Assignee: **O2COOL, LLC**, Chicago, IL (US)  
(\*\*) Term: **15 Years**

(21) Appl. No.: **29/597,716**  
(22) Filed: **Mar. 20, 2017**  
(51) **LOC (11) Cl.** ..... **23-04**  
(52) **U.S. Cl.**  
USPC ..... **D23/370**  
(58) **Field of Classification Search**  
USPC ..... D23/370-379, 381-385, 411-414, 360,  
D23/314, 335, 328, 332  
CPC . F04D 5/00; F04D 27/00; F04D 25/10; F04D  
29/64; F04D 19/00; F24H 3/04; B65D  
71/00  
See application file for complete search history.

(56) **References Cited**

**U.S. PATENT DOCUMENTS**

D313,275 S \* 12/1990 Aida ..... D23/370  
D314,614 S \* 2/1991 Ko ..... D23/328  
D427,300 S \* 6/2000 Pinchuk ..... D23/364  
D537,153 S \* 2/2007 Hoog ..... D23/335  
D543,614 S \* 5/2007 Chen ..... D23/382  
D572,351 S \* 7/2008 Lewis ..... D23/317  
D626,206 S \* 10/2010 Orihara ..... D23/366

D639,921 S \* 6/2011 Levano ..... D23/314  
D671,630 S \* 11/2012 Hideharu ..... D23/382  
D676,123 S \* 2/2013 Hideharu ..... D23/370  
D693,451 S \* 11/2013 McKeage ..... D23/370  
D694,383 S \* 11/2013 Grzybowski ..... D23/370  
D694,384 S \* 11/2013 Grzybowski ..... D23/370  
D701,298 S \* 3/2014 Daisaku ..... D23/370  
D733,860 S \* 7/2015 Konno ..... D23/366  
D815,723 S \* 4/2018 Spiegel ..... D23/370  
2008/0101928 A1\* 5/2008 Chen ..... F04D 25/084  
415/213.1

\* cited by examiner

*Primary Examiner* — Janice Hallmark

(74) *Attorney, Agent, or Firm* — Thompson Coburn LLP

(57) **CLAIM**

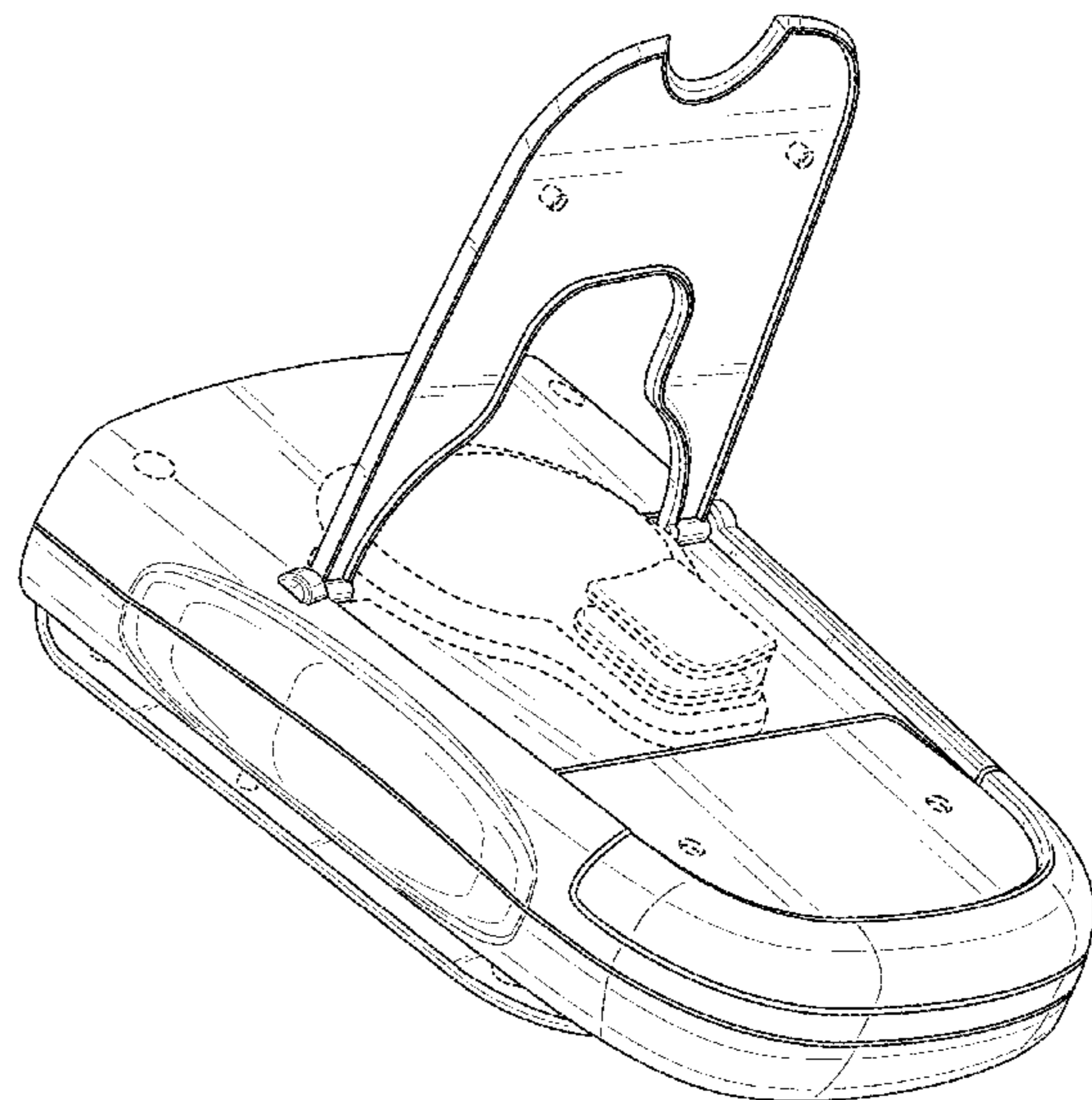
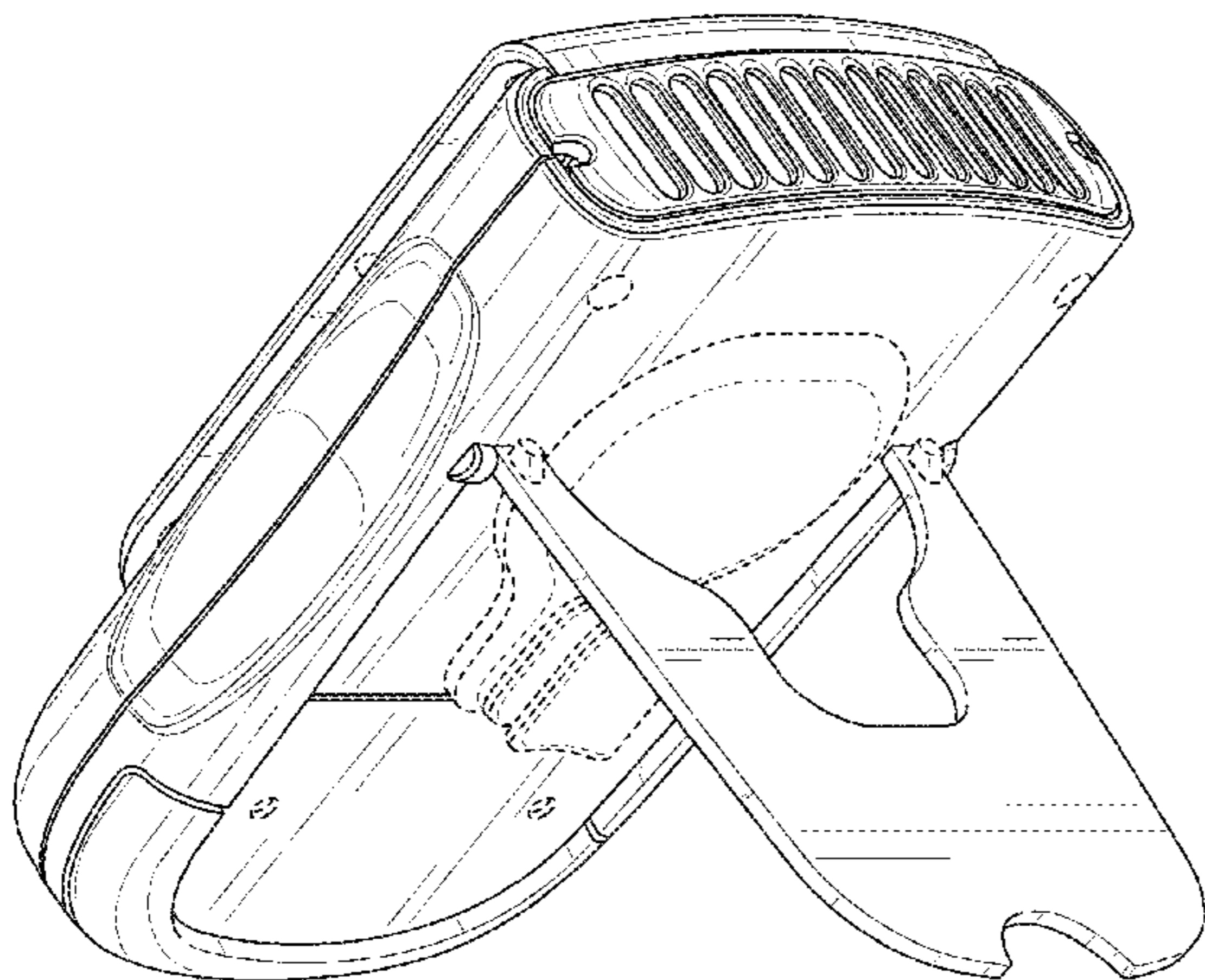
The ornamental design for a fan, as shown and described.

**DESCRIPTION**

FIG. 1 is a first perspective view of the fan showing our new design in a first configuration;  
FIG. 2 is a second perspective view thereof;  
FIG. 3 is a front view of the fan showing our new design in a second configuration;  
FIG. 4 is rear view thereof;  
FIG. 5 is a right side view thereof;  
FIG. 6 is a left side view thereof;  
FIG. 7 is a top plan view thereof; and,  
FIG. 8 is a bottom plan thereof.

The broken lines immediately adjacent the shaded areas represent the bounds of the claimed design while all other broken lines are directed to environment; the broken lines form no part of the claimed design.

**1 Claim, 8 Drawing Sheets**



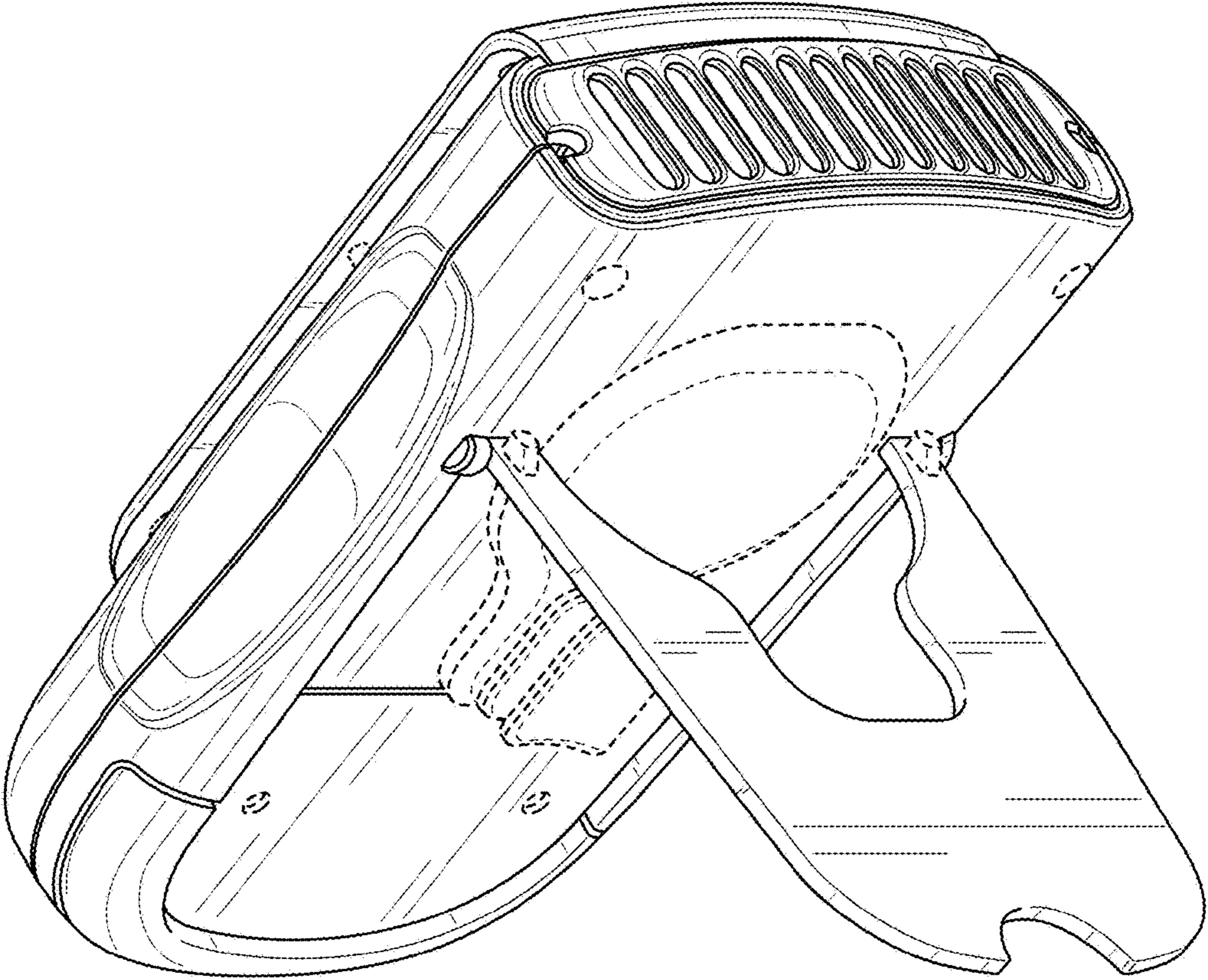


FIG. 1

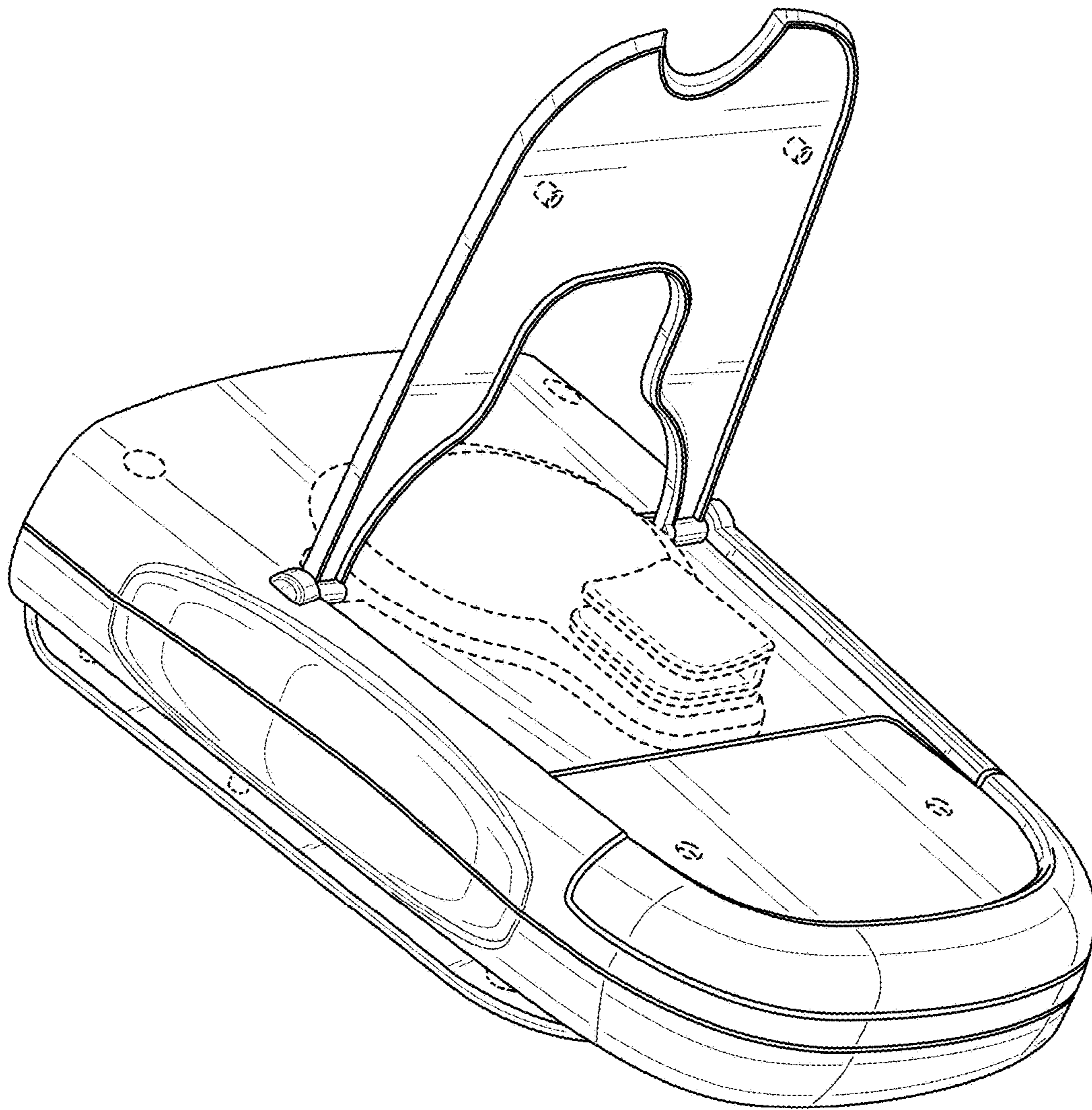


FIG. 2

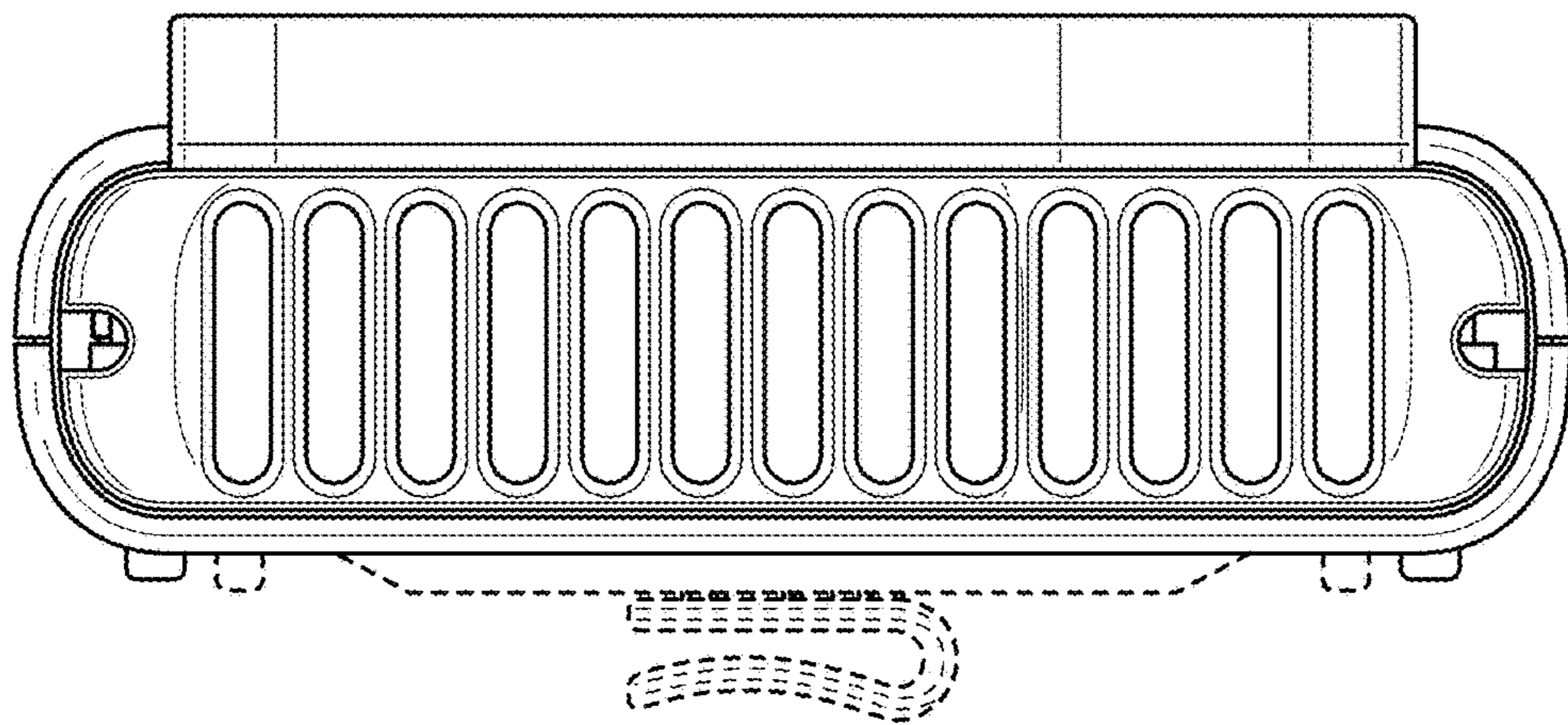


FIG. 3

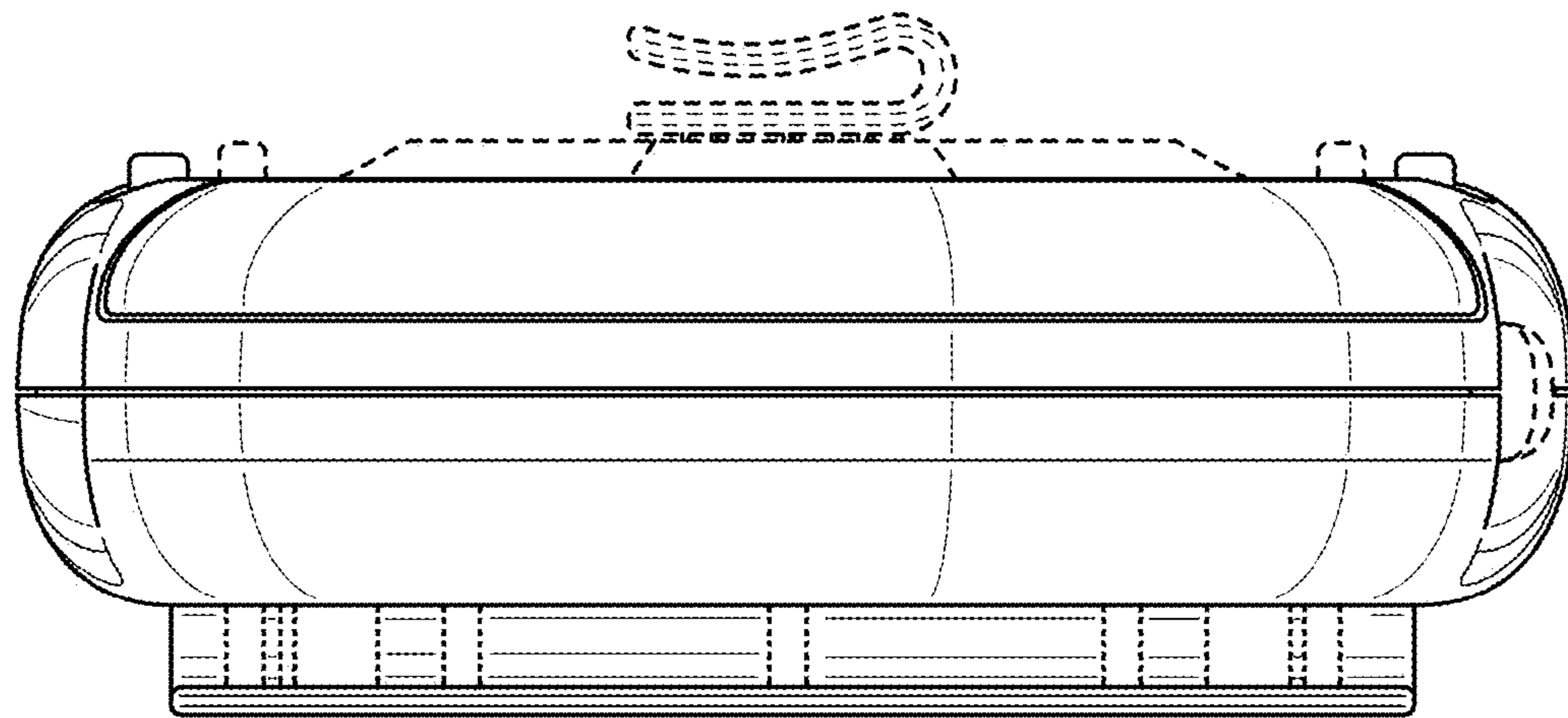


FIG. 4

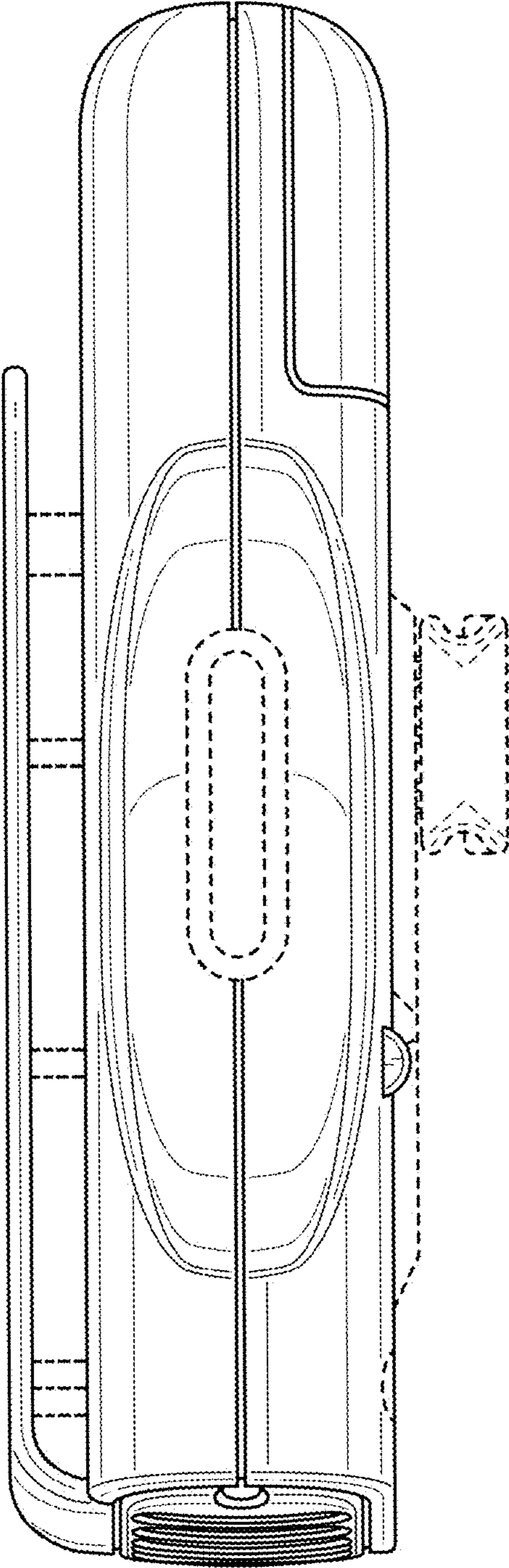


FIG. 5

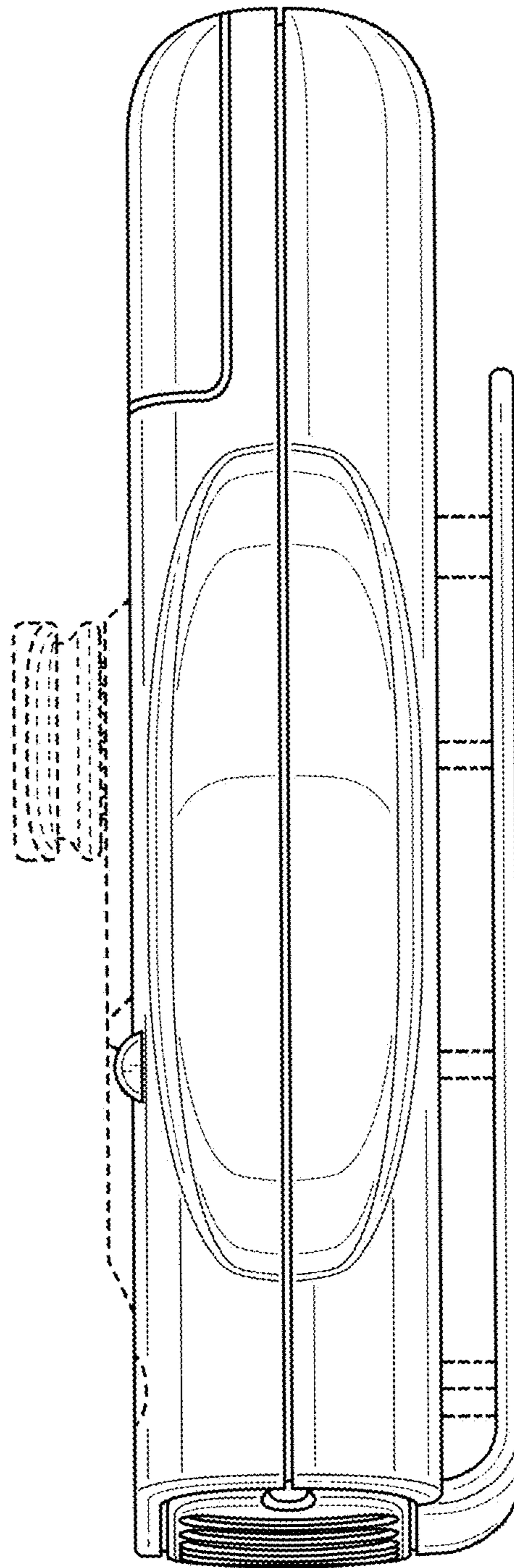


FIG. 6

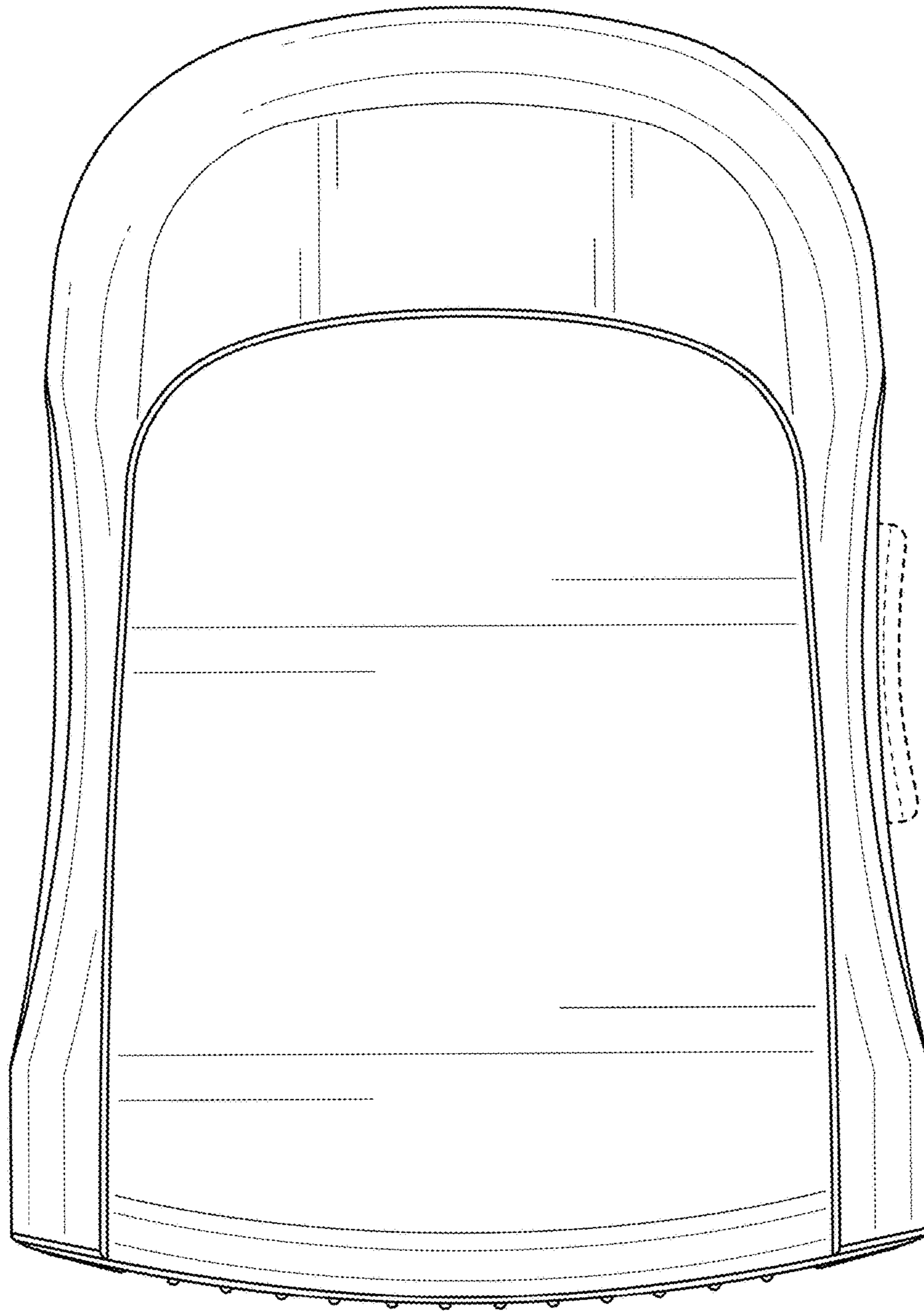


FIG. 7



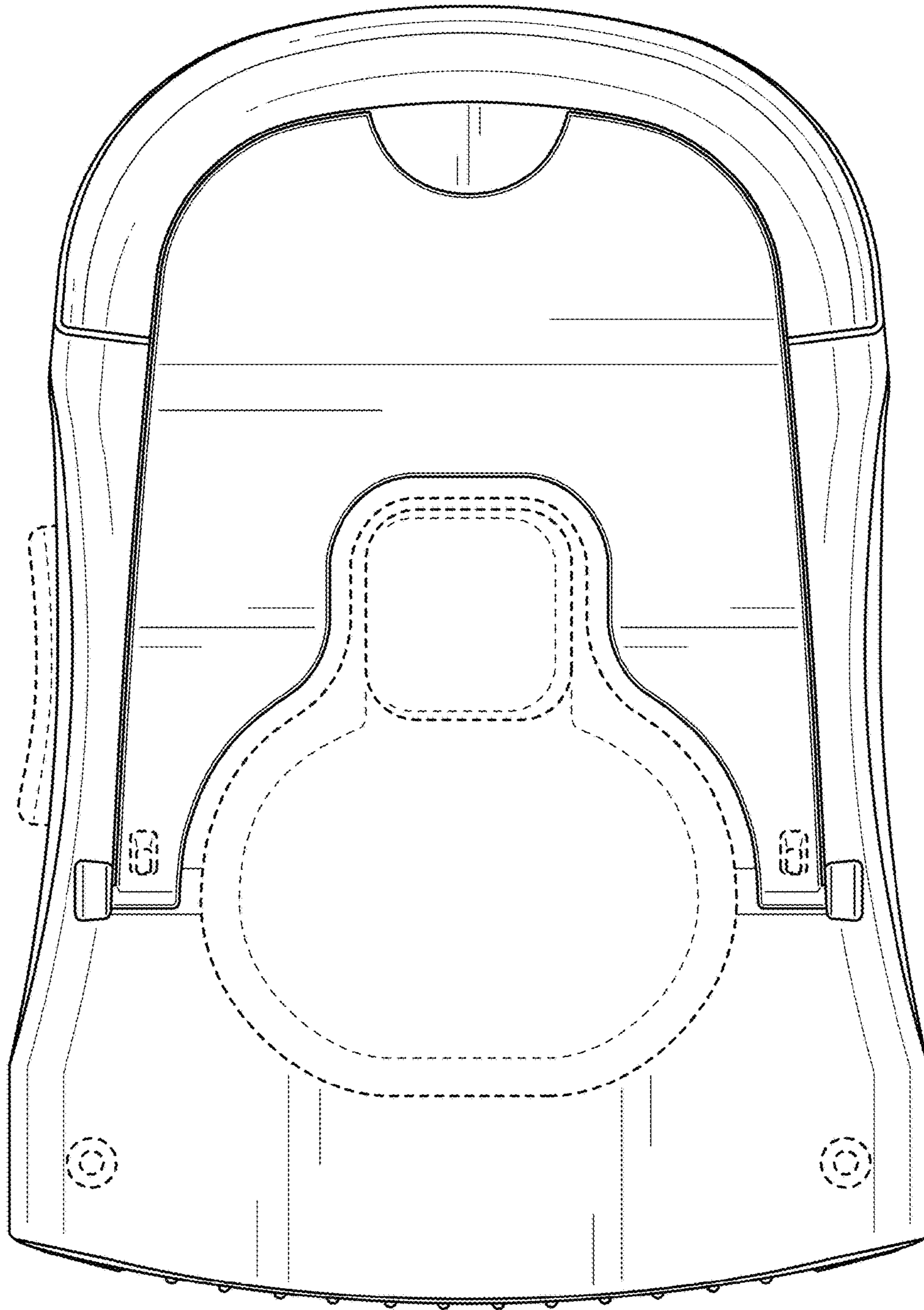


FIG. 8

UNITED STATES PATENT AND TRADEMARK OFFICE  
**CERTIFICATE OF CORRECTION**

PATENT NO. : D832,989 S  
APPLICATION NO. : 29/597716  
DATED : November 6, 2018  
INVENTOR(S) : Breit et al.

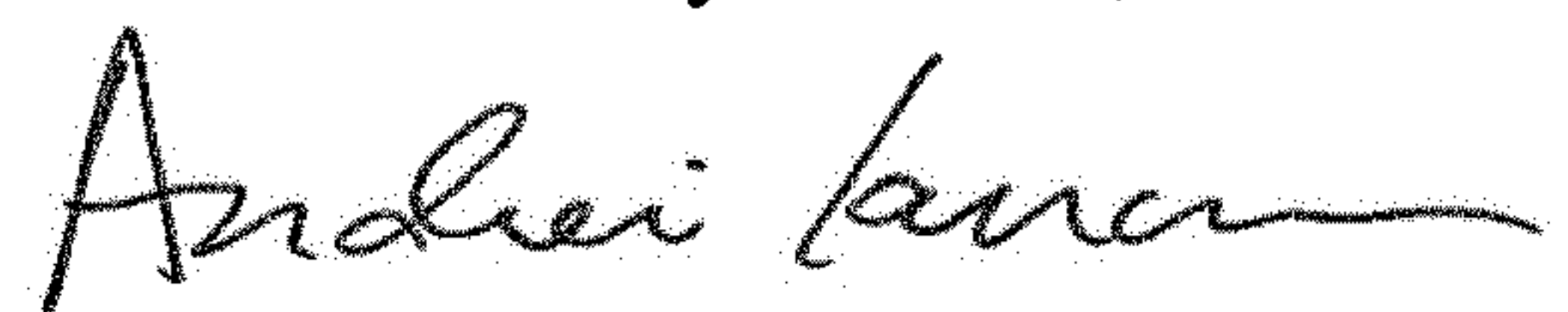
Page 1 of 1

It is certified that error appears in the above-identified patent and that said Letters Patent is hereby corrected as shown below:

On the Title Page

Item (73) Assignee: 02COOL, LLC should be O2COOL, LLC

Signed and Sealed this  
Second Day of June, 2020



Andrei Iancu  
*Director of the United States Patent and Trademark Office*