

US00D832986S

(12) **United States Design Patent**
Murayama

(10) **Patent No.:** **US D832,986 S**
(45) **Date of Patent:** **** Nov. 6, 2018**

(54) **TOWEL STEAMER**
(71) Applicant: **TAIJI & CO., LTD.**, Kanagawa (JP)
(72) Inventor: **Yoshinori Murayama**, Kanagawa (JP)
(73) Assignee: **TAIJI & CO., LTD.**, Kawasaki (JP)

(**) Term: **15 Years**
(21) Appl. No.: **35/503,397**

(22) Filed: **Jan. 20, 2017**

(80) **Hague Agreement Data**
Int. Filing Date: **Jan. 20, 2017**
Int. Reg. No.: **DM/095835**
Int. Reg. Date: **Jan. 20, 2017**
Int. Reg. Pub. Date: **Jul. 21, 2017**

(51) **LOC (11) Cl.** **23-03**
(52) **U.S. Cl.**
USPC **D23/315**
(58) **Field of Classification Search**
USPC D23/315
CPC A47K 10/06
See application file for complete search history.

(56) **References Cited**

U.S. PATENT DOCUMENTS

4,644,136 A * 2/1987 Watchman A47K 10/06
219/385
4,645,909 A * 2/1987 Thoben A47J 37/0635
219/385
4,947,026 A * 8/1990 Groom A47K 10/24
219/214
6,046,436 A * 4/2000 Hunts A47K 10/06
219/385
6,166,353 A * 12/2000 Senneville F24C 15/08
126/273 R
6,525,298 B1 * 2/2003 Hunts A47K 10/06
219/385
7,091,459 B2 * 8/2006 Kim H05B 6/6402
126/21 A

D621,014 S * 8/2010 Taylor F24C 15/08
D23/315
8,212,188 B2 * 7/2012 Kim F24C 15/322
126/21 A
8,853,602 B2 * 10/2014 Nakamura H05B 6/6414
219/385

FOREIGN PATENT DOCUMENTS

JP D1106521 4/2001
JP D1135269 3/2002
JP D1287791 12/2006

OTHER PUBLICATIONS

Taiji.Co.JP: Hotcabi/Coolcabi HC-11UV Pro. (C) 2000-2016, 2 pages. Found online Jun. 14, 2018 at <http://www.taiji.co.jp/e/products/hc11uvpro.html> (Year: 2016).
Taiji.Co.JP: Hotcabi/Coolcabi HC-21UV Pro. (C) 2000-2016, 2 pages. Found online Jun. 14, 2018 at <http://www.taiji.co.jp/e/products/hc21uvpro.html> (Year: 2016).*

* cited by examiner

Primary Examiner — Robert M. Spear
(74) *Attorney, Agent, or Firm* — Wenderoth, Lind & Ponack, L.L.P.

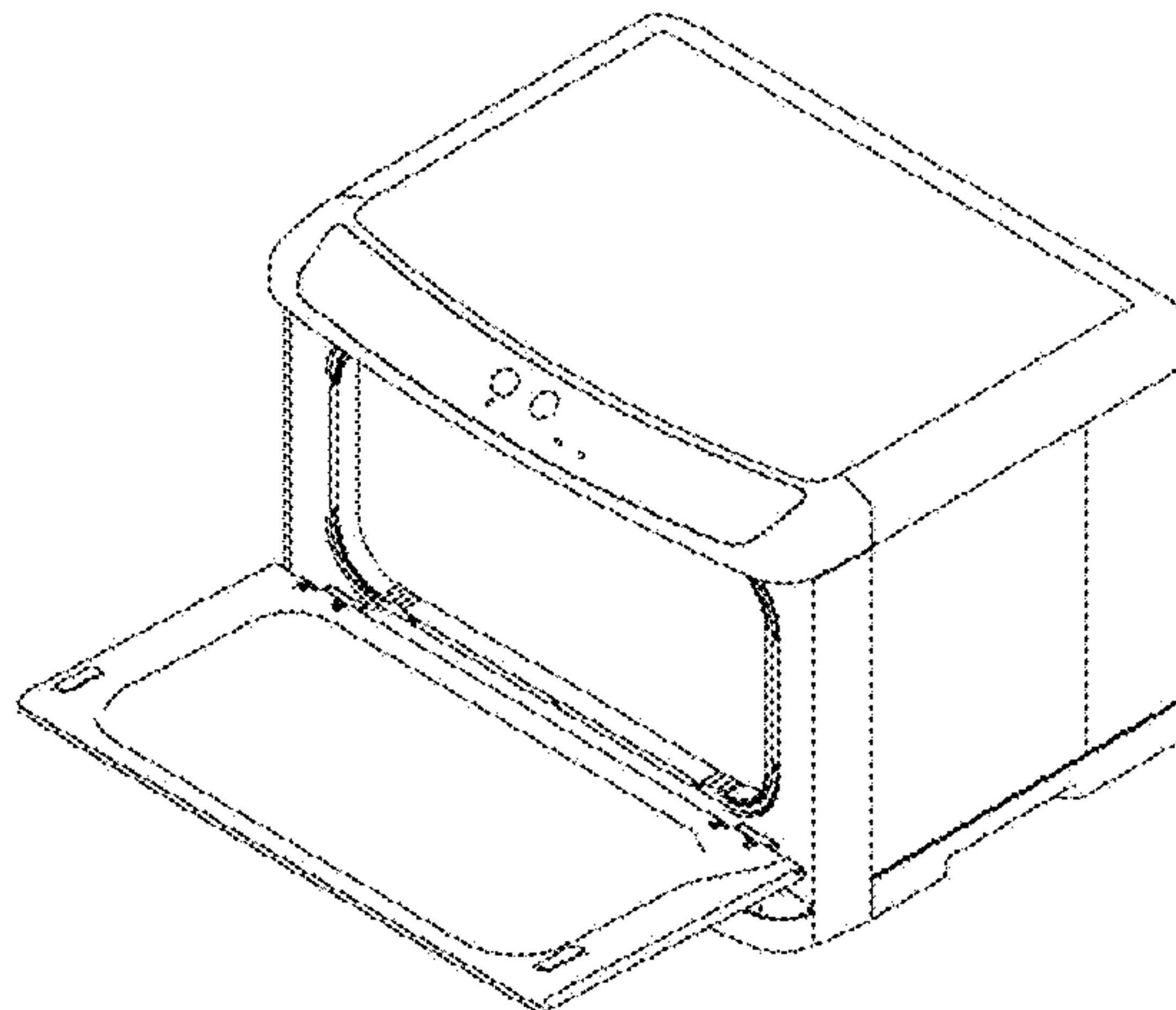
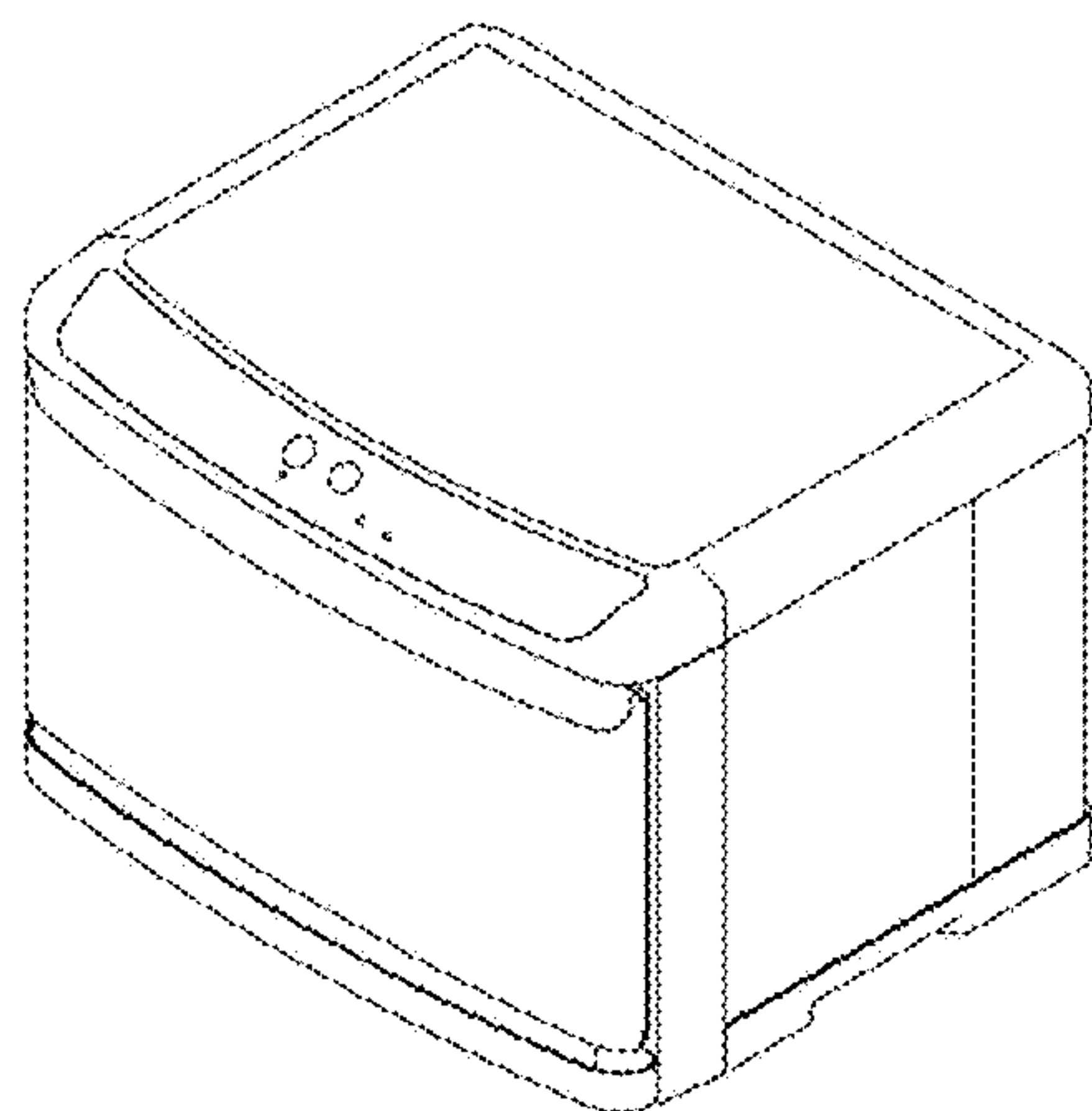
(57) **CLAIM**

The ornamental design for a towel steamer, as shown and described.

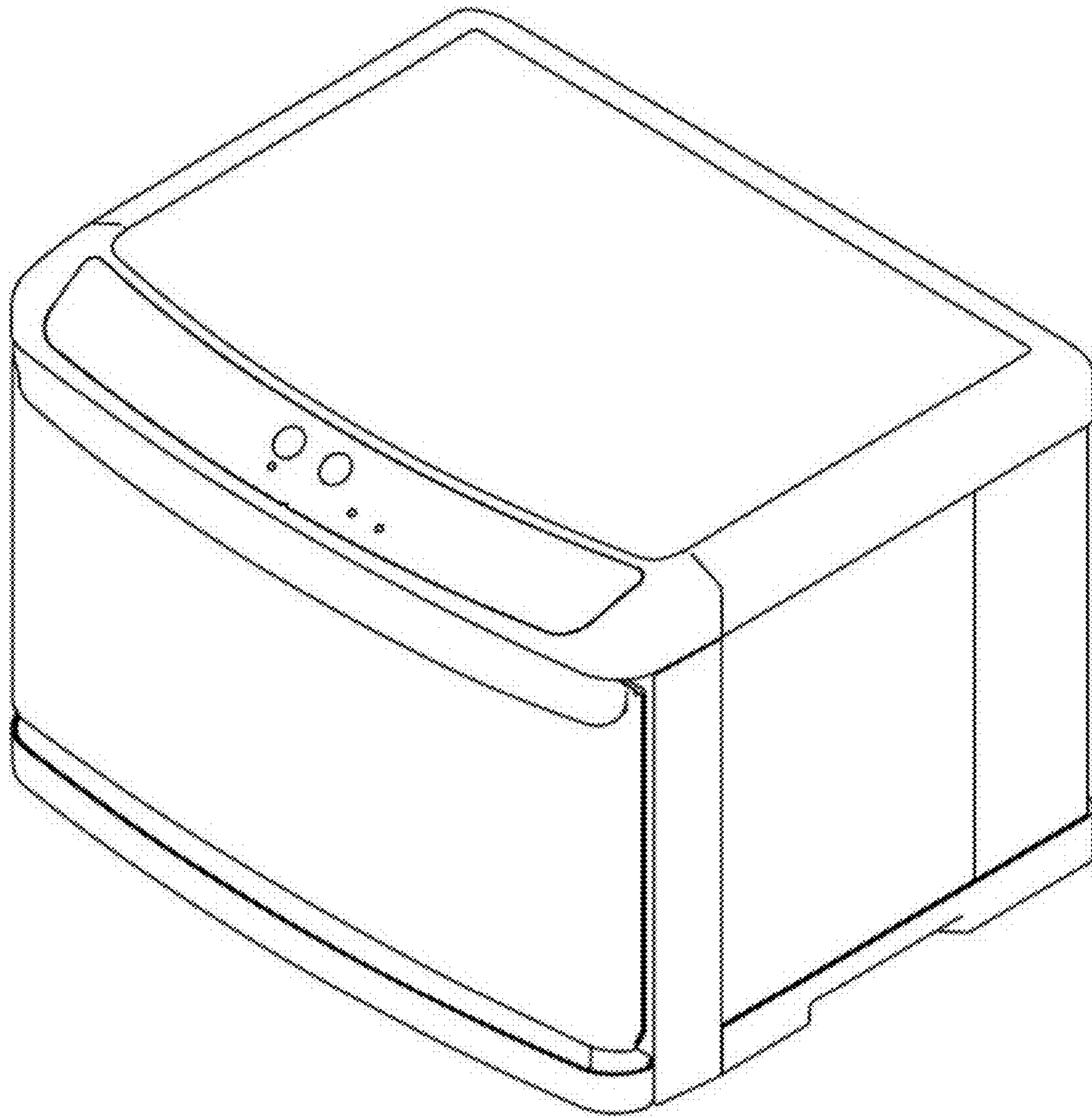
DESCRIPTION

- 1. Towel steamers
- 1.1 : Perspective
- 1.2 : Perspective
- 1.3 : Front
- 1.4 : Top
- 1.5 : Left
- 1.6 : Right
- 1.7 : Back
- 1.8 : Bottom

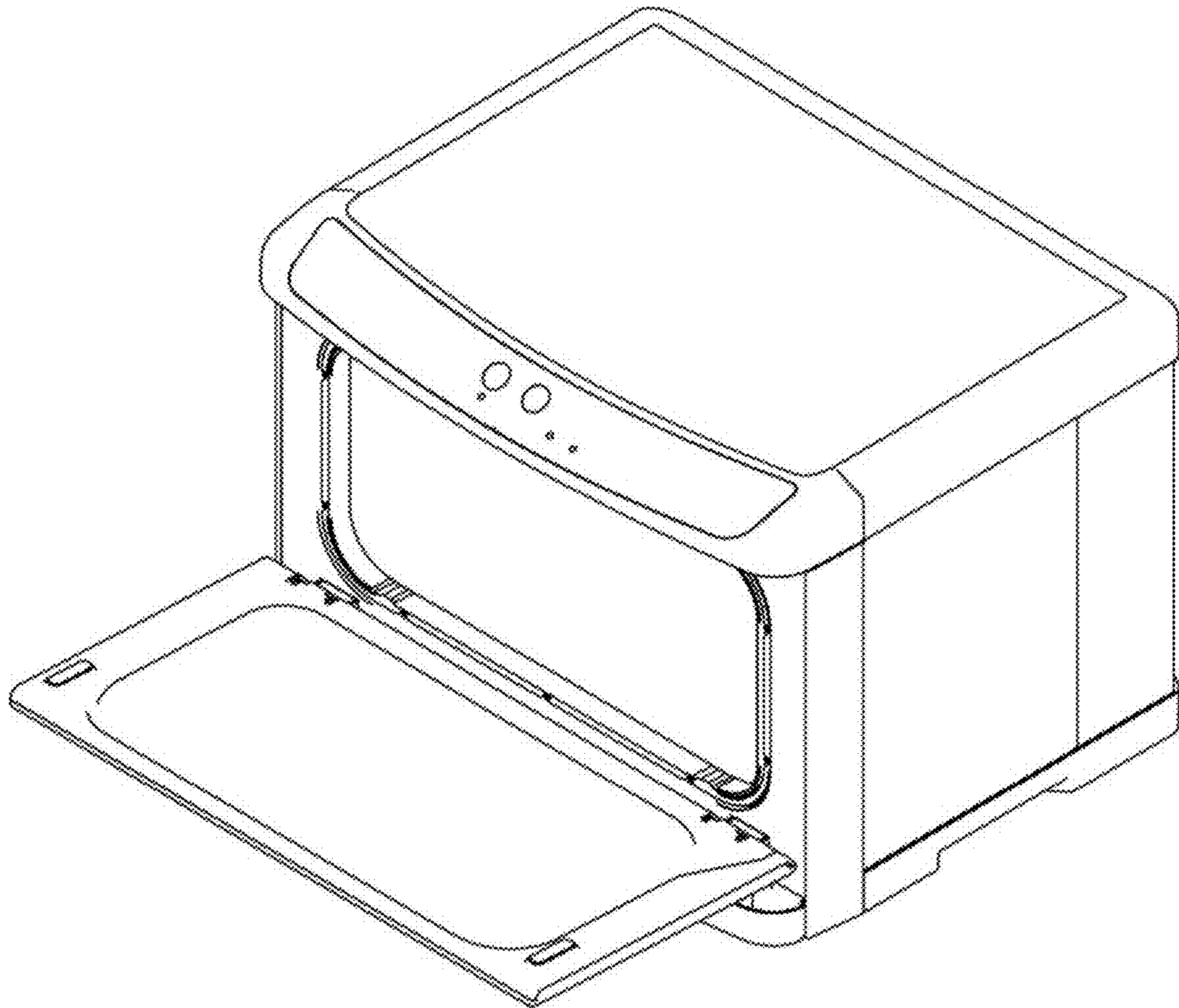
1 Claim, 8 Drawing Sheets



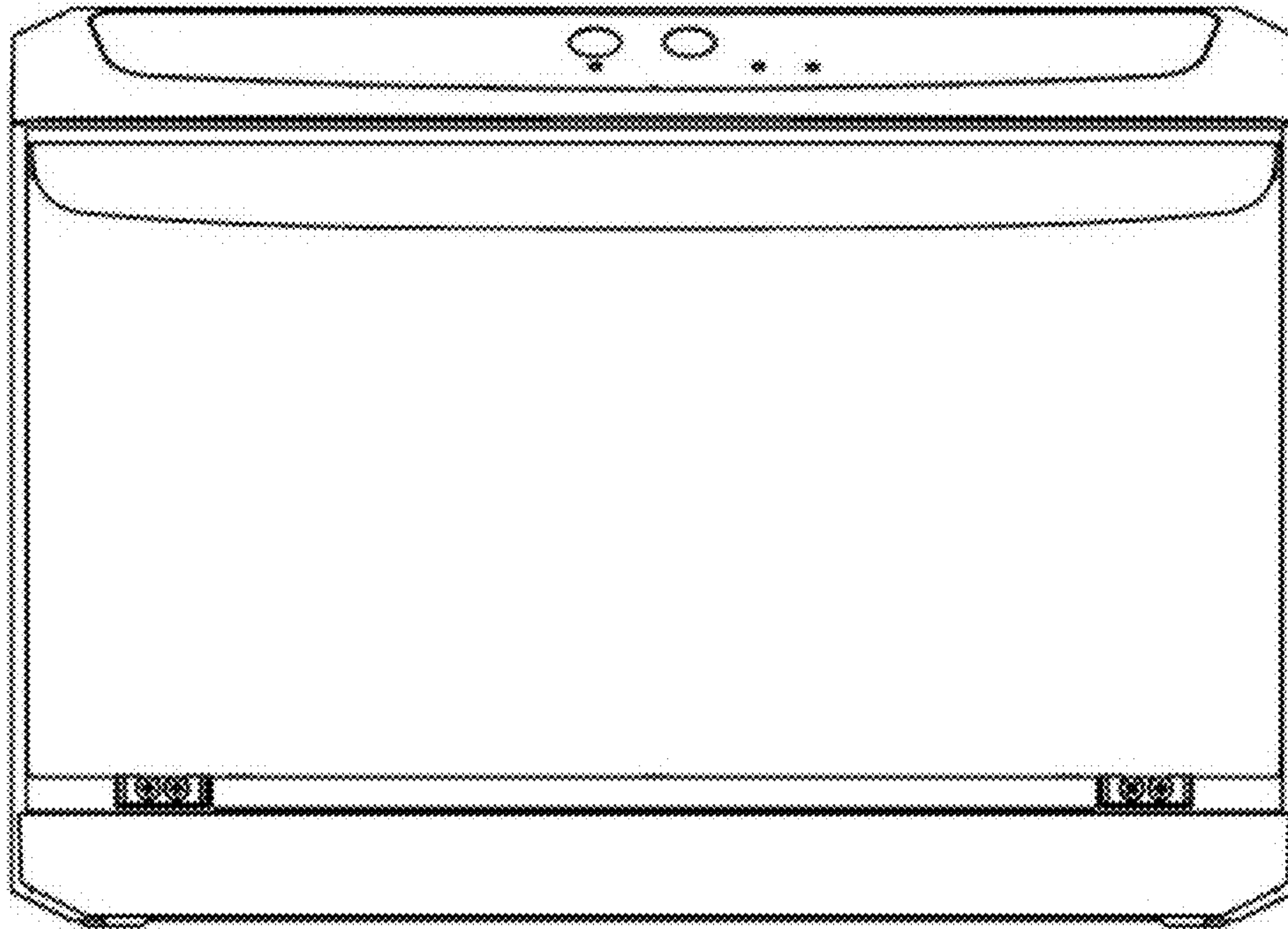
1.1



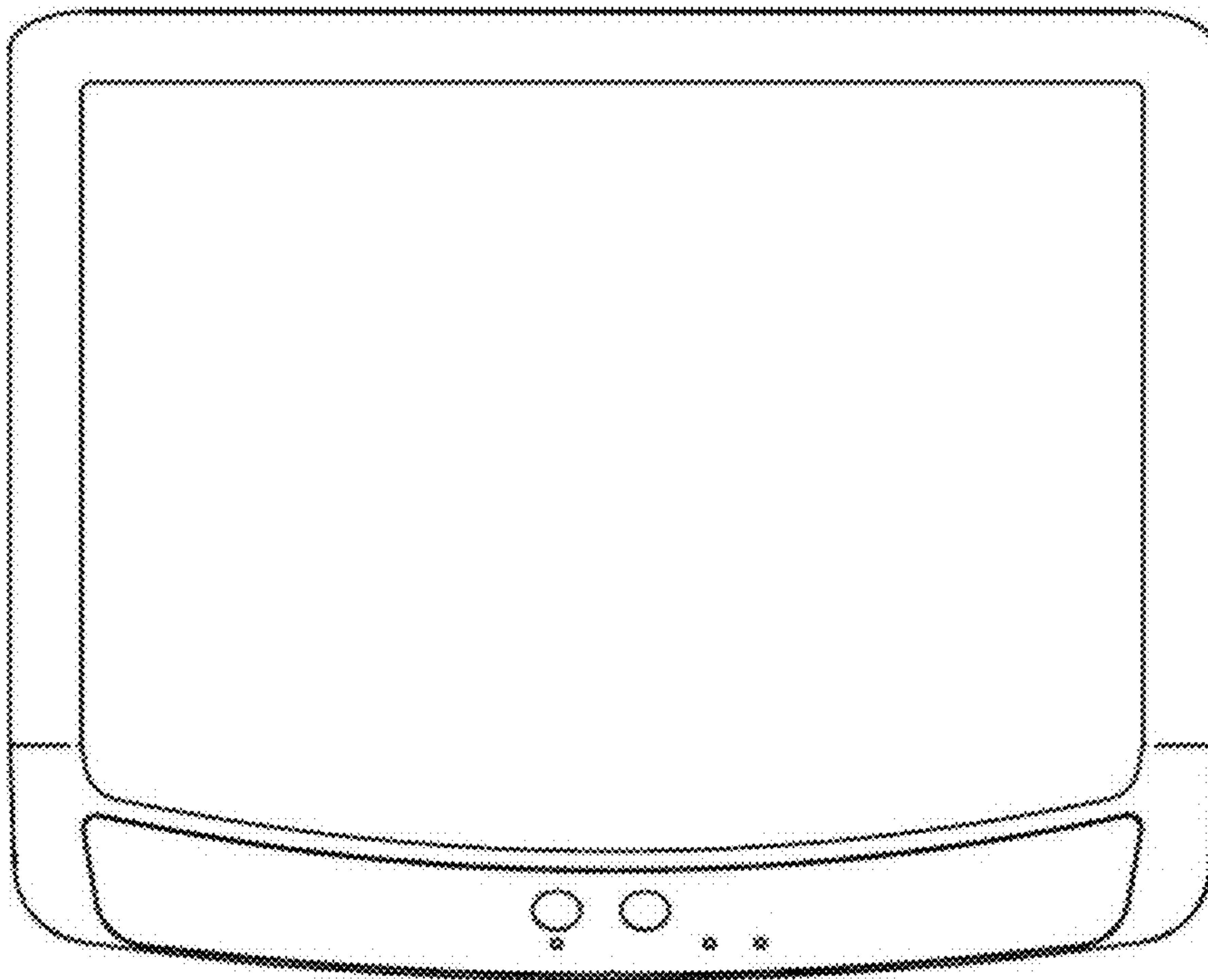
1.2



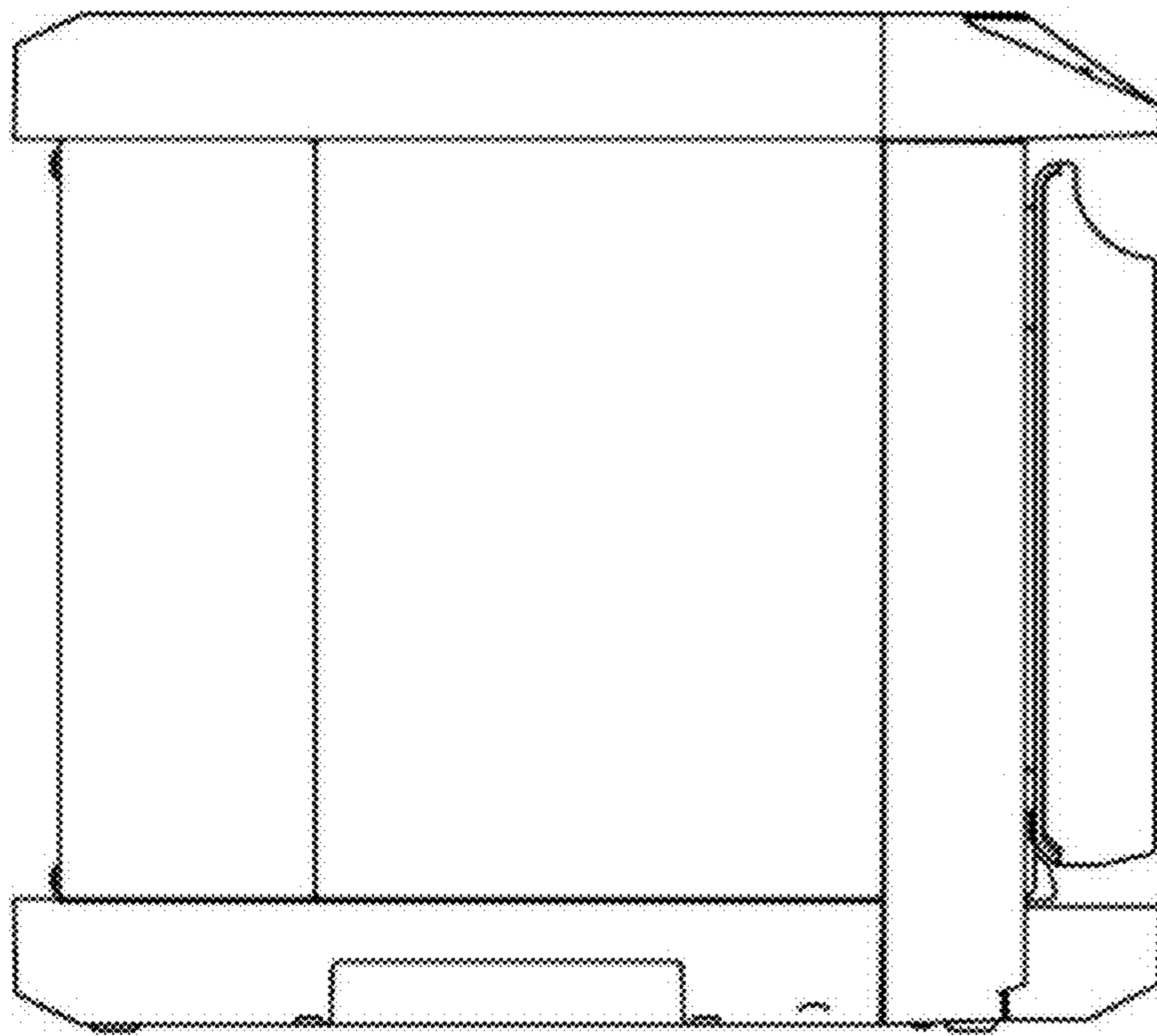
1.3



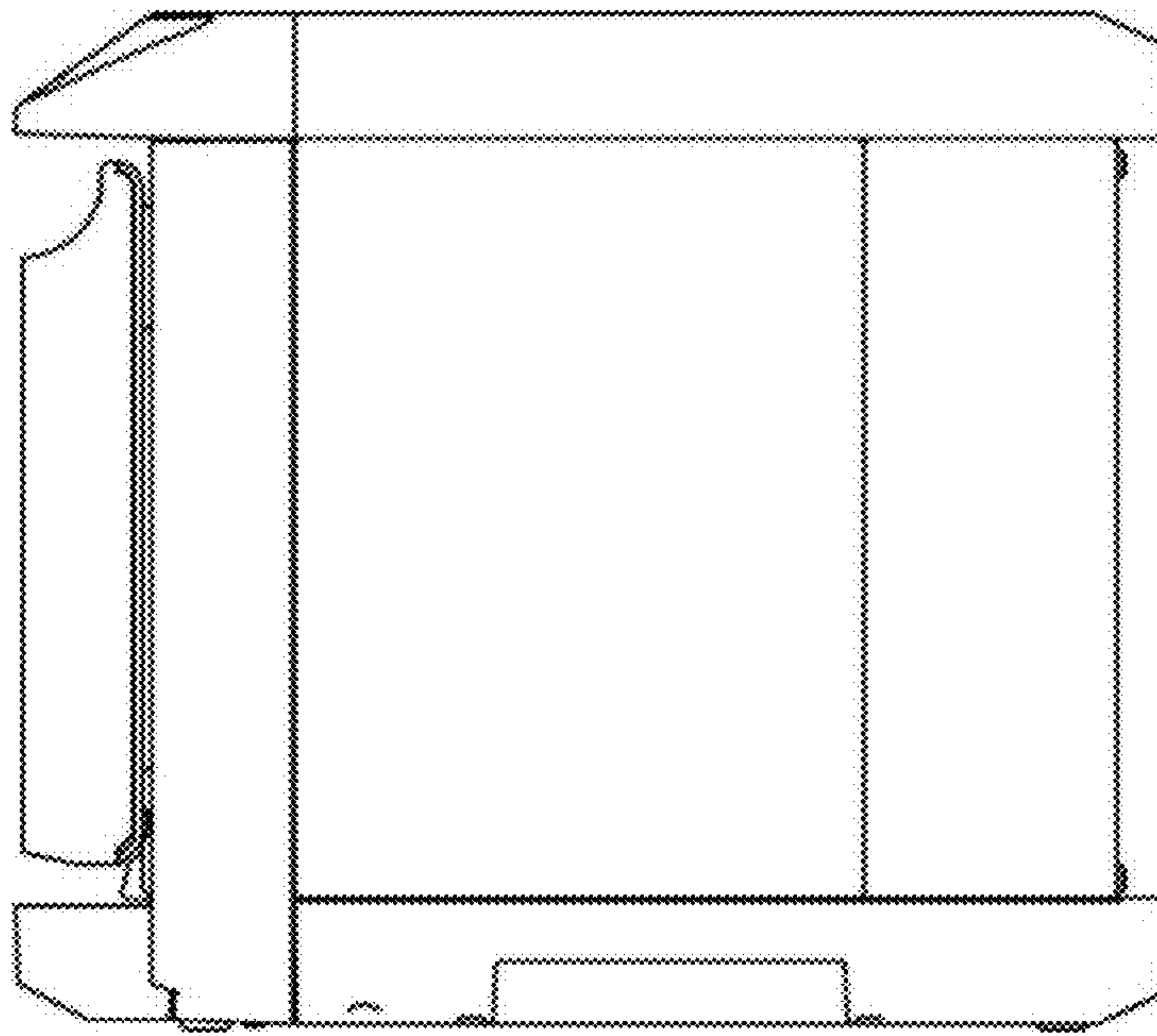
1.4



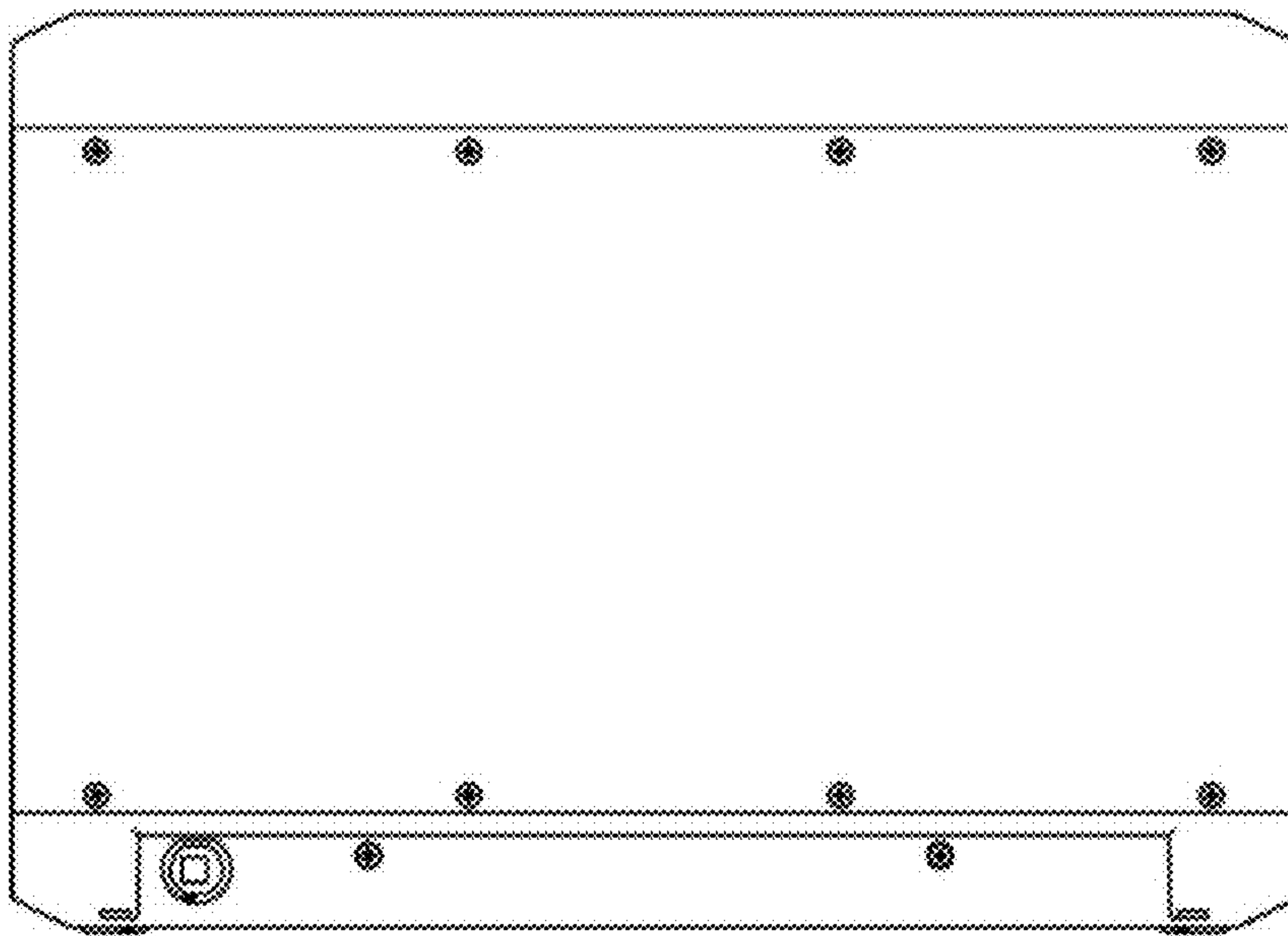
1.5



1.6



1.7



1.8

