



US00D832984S

(12) **United States Design Patent**
Khubani

(10) **Patent No.:** **US D832,984 S**
(45) **Date of Patent:** **** Nov. 6, 2018**

- (54) **HOSE AND CONNECTORS**
- (71) Applicant: **Telebrands Corp.**, Fairfield, NJ (US)
- (72) Inventor: **Ajit Khubani**, Saddle River, NJ (US)
- (73) Assignee: **Telebrands Corp.**, Fairfield, NJ (US)
- (**) Term: **15 Years**
- (21) Appl. No.: **29/602,793**
- (22) Filed: **May 3, 2017**
- (51) **LOC (11) Cl.** **23-01**
- (52) **U.S. Cl.**
USPC **D23/262**
- (58) **Field of Classification Search**
USPC D23/259, 260, 262–267, 213, 223, 226,
D23/232–237; D24/129; D8/382, 396;
251/149.6–149.9, 149.1, 149; 285/245,
285/246, 249, 322, 248, 251, 253;
137/614, 614.02–614.06; D29/129;
D32/25, 32
CPC F16L 37/0841; F16L 37/35; F16L 37/34;
F16L 37/142; F16L 37/413; F16L 37/30;
F16L 37/44; F16L 37/36; F16L 45/00;
F16L 5/00; F16L 55/105; F16L 55/1007
See application file for complete search history.

D586,435 S *	2/2009	Reckseen	D23/266
8,291,941 B1 *	10/2012	Berardi	F16L 11/20 138/109
D686,306 S *	7/2013	Grether	D23/264
8,479,776 B2 *	7/2013	Berardi	F16L 11/00 138/109
8,757,213 B2 *	6/2014	Berardi	F16L 11/00 138/109
D719,646 S *	12/2014	Melo	D23/266
D748,763 S *	2/2016	Berardi	D23/262
9,709,194 B1 *	7/2017	Pan	F16L 11/20
2011/0309168 A1 *	12/2011	Grether	E03C 1/021 239/587.4
2012/0234425 A1 *	9/2012	Berardi	F16L 11/12 138/137

* cited by examiner

Primary Examiner — Eric L Goodman
Assistant Examiner — Amy C Wierenga
(74) *Attorney, Agent, or Firm* — Pryor Cashman LLP

(57) **CLAIM**

The ornamental design for a hose and connectors, as shown and described.

DESCRIPTION

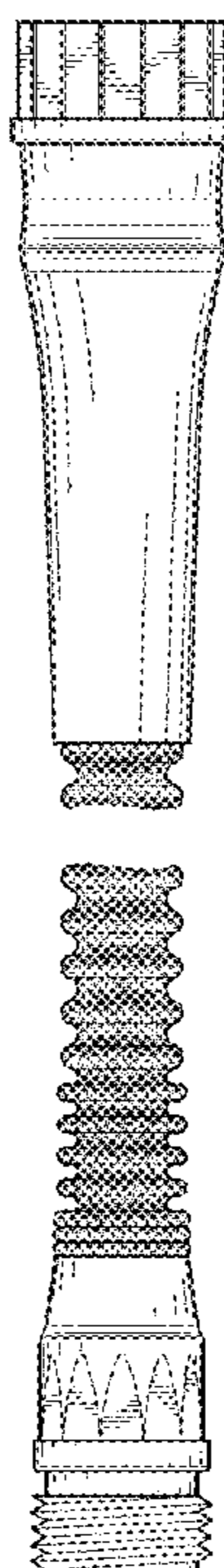
FIG. 1 is a side view of a hose and connectors;
FIG. 2 is a top view thereof; and,
FIG. 3 is a bottom view thereof.
The hose is shown with a symbolic break in its length. The appearance of any portion of the hose between the break lines forms no part of the claimed design. The broken lines shown in the drawings illustrate portions of the hose and connectors that form no part of the claim.

1 Claim, 3 Drawing Sheets

(56) **References Cited**

U.S. PATENT DOCUMENTS

D46,946 S *	2/1915	Glauber	285/193
D323,207 S *	1/1992	Cole	D23/266
D520,106 S *	5/2006	Jones	D23/213



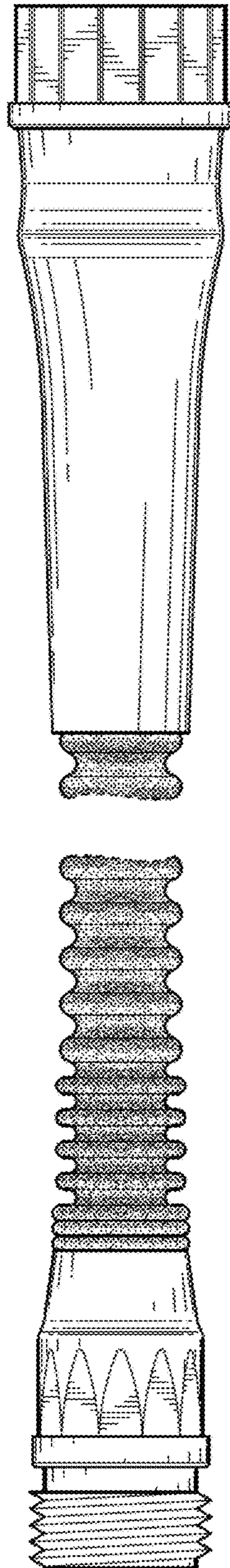


FIG. 1

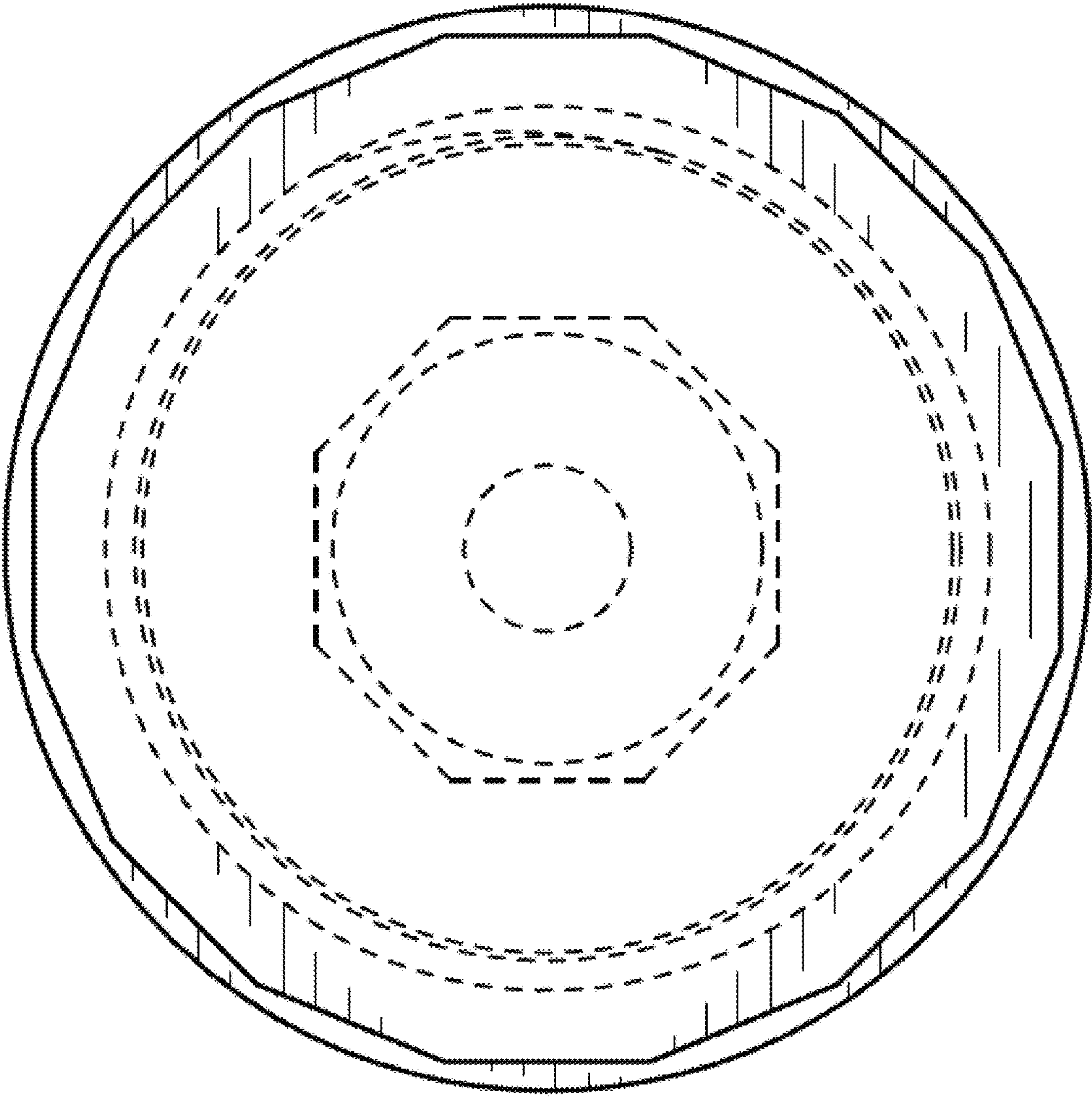


FIG. 2

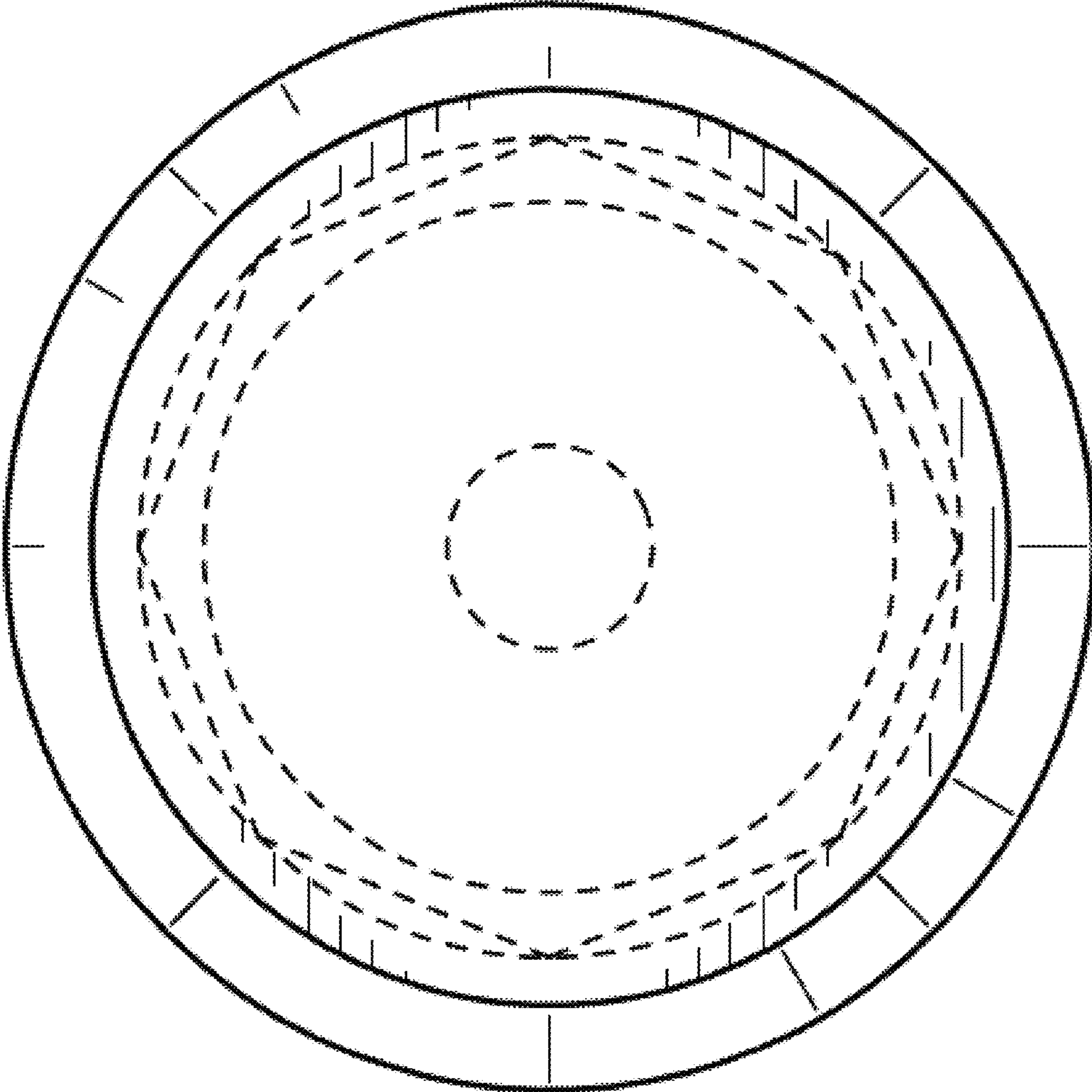


FIG. 3