



US00D832983S

(12) **United States Design Patent**
Näslund et al.

(10) **Patent No.:** **US D832,983 S**

(45) **Date of Patent:** **** *Nov. 6, 2018**

(54) **HOSE CONNECTOR AND WATER STOP**

(71) Applicant: **HUSQVARNA AB**, Huskvarna (SE)

(72) Inventors: **Jens Näslund**, Spånga (SE); **Daniel Gunnarsson**, Danderyd (SE); **Gustav Landberg**, Trosa (SE); **Tor Sigurdson**, Stockholm (SE)

(73) Assignee: **HUSQVARNA AB**, Huskvarna (SE)

(*) Notice: This patent is subject to a terminal disclaimer.

(**) Term: **15 Years**

(21) Appl. No.: **29/579,320**

(22) Filed: **Sep. 29, 2016**

(30) **Foreign Application Priority Data**

Mar. 31, 2016 (EM) 003049931-0027

(51) **LOC (11) Cl.** **23-01**

(52) **U.S. Cl.**
USPC **D23/262**

(58) **Field of Classification Search**

USPC D23/259, 260, 262–266, 213, 223, 226,
D23/232–237; D24/129; D8/382, 396;
251/149.6–149.9, 149.1, 149, 309–310,
251/315.1, 315.14, 315.15, 356; 285/245,
285/246, 249, 322, 248, 251, 253;
137/614, 614.02–614.06, 798, 801

CPC F16L 37/0841; F16L 37/35; F16L 37/34;
F16L 37/142; F16L 37/413; F16L 37/30;
F16L 37/44; F16L 37/36; F16L 45/00;
F16L 5/00; F16L 55/105; F16L 55/1007;
F16L 33/227; F16L 33/22; F16L 37/252;

F16L 25/0014; F16L 29/007; F16L 31/00;
E03C 1/122; E03C 1/0404; E03B 7/09

See application file for complete search history.

(56) **References Cited**

U.S. PATENT DOCUMENTS

D299,267 S *	1/1989	Roman	D23/262
D320,842 S *	10/1991	Roman	D23/262
D441,436 S	5/2001	Chao		
D575,377 S	8/2008	Roman		
D632,764 S *	2/2011	Cheng	D23/262

(Continued)

FOREIGN PATENT DOCUMENTS

JP	D1299449 S	5/2007
JP	1515591 S	1/2015

(Continued)

Primary Examiner — Eric L Goodman

Assistant Examiner — Amy C Wierenga

(74) *Attorney, Agent, or Firm* — McNair Law Firm, P.A.

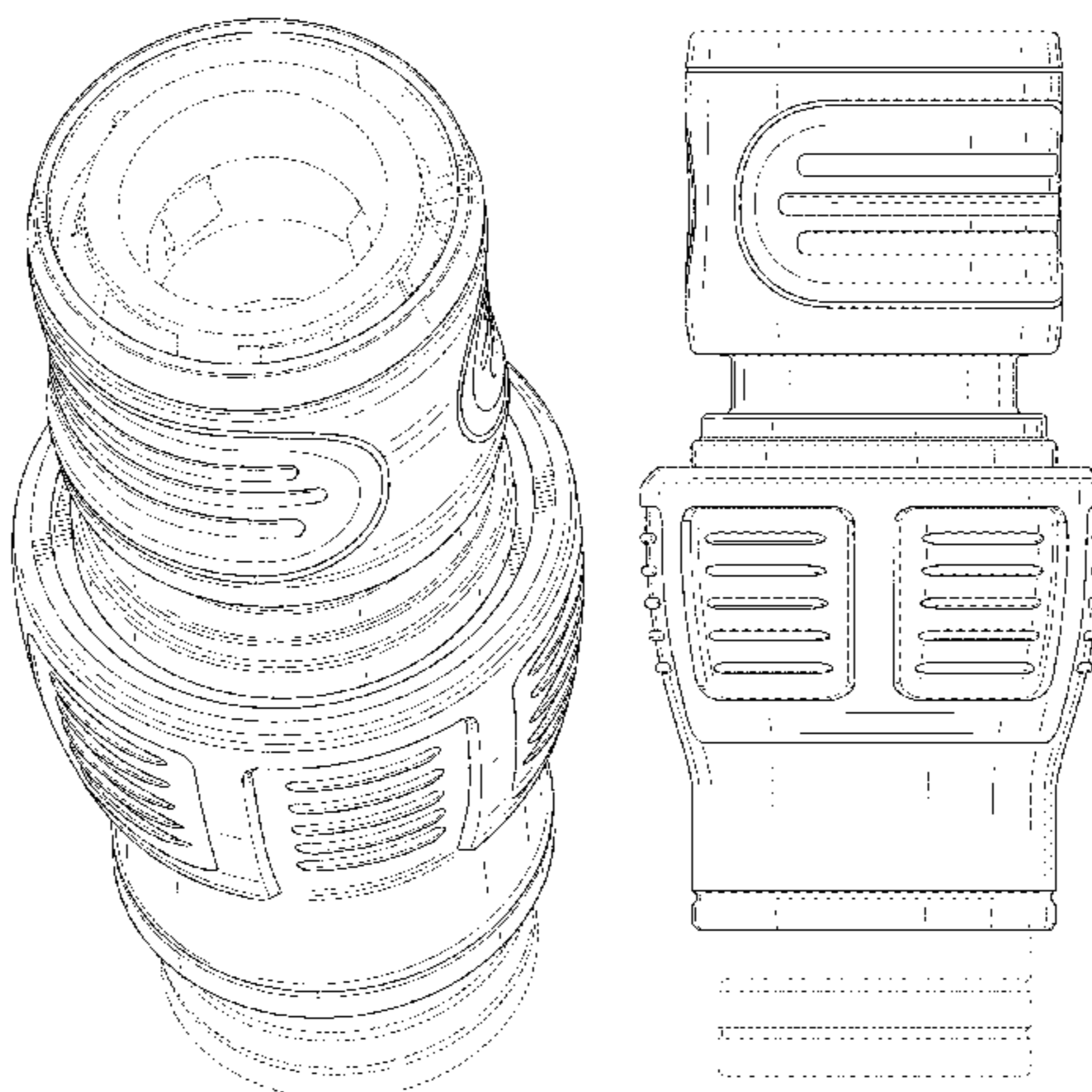
(57) **CLAIM**

The ornamental design for a hose connector and water stop, as shown and described.

DESCRIPTION

FIG. 1 is a perspective view of a hose connector and water stop in accordance with the present invention;
FIG. 2 is a front view of the hose connector and water stop of FIG. 1;
FIG. 3 is a rear view of the hose connector and water stop of FIG. 1;
FIG. 4 is a right side view of the hose connector and water stop of FIG. 1;
FIG. 5 is a left side view of the hose connector and water stop of FIG. 1;
FIG. 6 is a top view of the hose connector and water stop of FIG. 1; and,
FIG. 7 is a bottom view of the hose connector and water stop of FIG. 1.

(Continued)



The broken lines of FIGS. 1-7 are illustrative of the visible environmental structure of the hose connector and water stop and form no part of the claimed design.

1 Claim, 7 Drawing Sheets

(56) **References Cited**

U.S. PATENT DOCUMENTS

D642,244	S *	7/2011	Wilhelm	D23/262
8,291,941	B1	10/2012	Berardi		
D686,306	S	7/2013	Grether		
D687,528	S *	8/2013	Meyer	D23/262
D707,334	S *	6/2014	Hernandez	D23/266
D725,749	S *	3/2015	Mezzalira	D23/259
D748,762	S	2/2016	Näslund		
D749,697	S *	2/2016	Wojan	D23/223
2007/0096464	A1	5/2007	Spadotto		
2008/0238087	A1 *	10/2008	Wang	F16L 25/009 285/39
2013/0257043	A1 *	10/2013	Guest	F16L 37/0925 285/322

FOREIGN PATENT DOCUMENTS

TW	D127383	S	2/2009
TW	D132831	S	1/2010
TW	D172491	S	12/2015

* cited by examiner

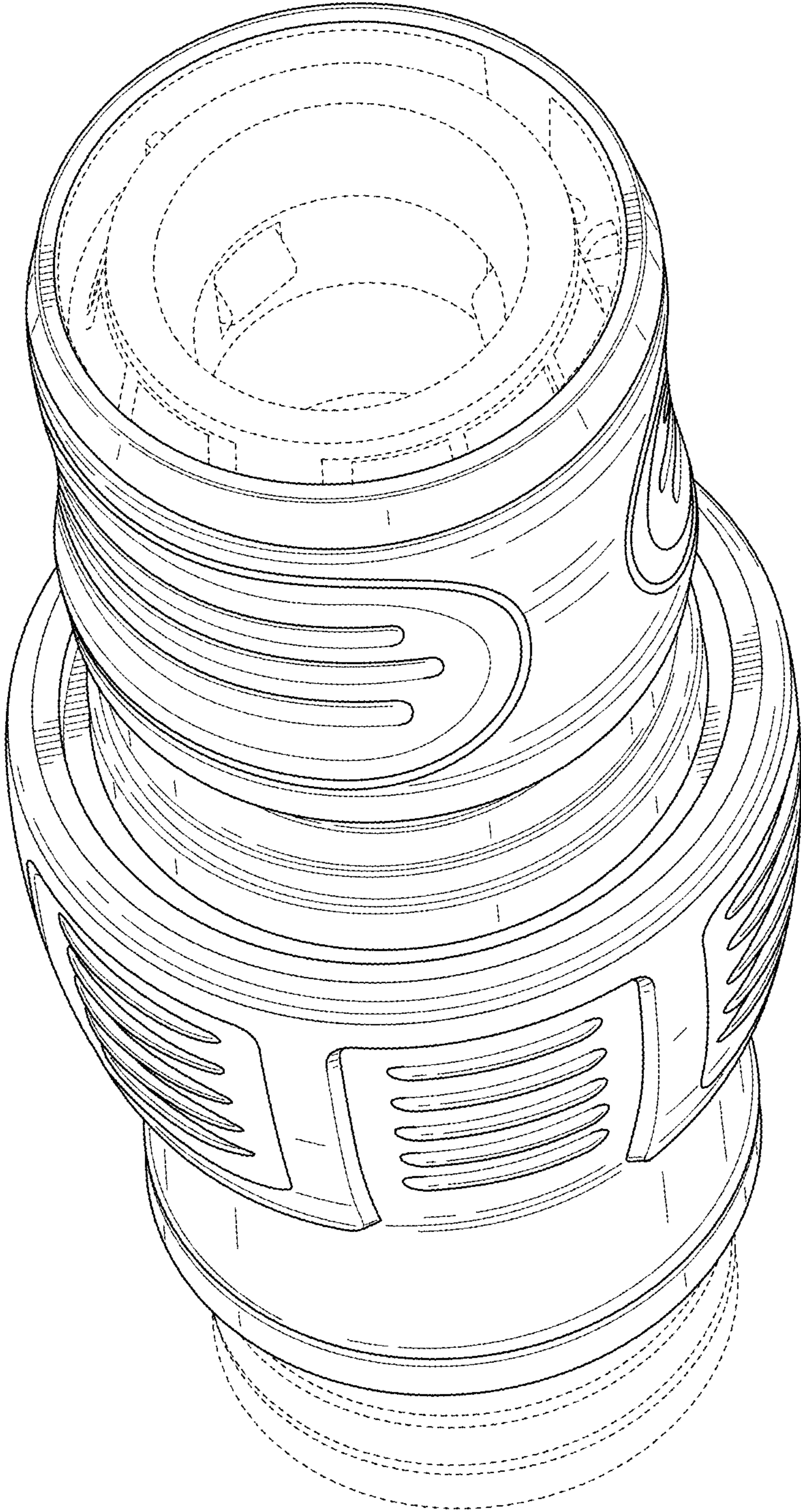


FIG. 1

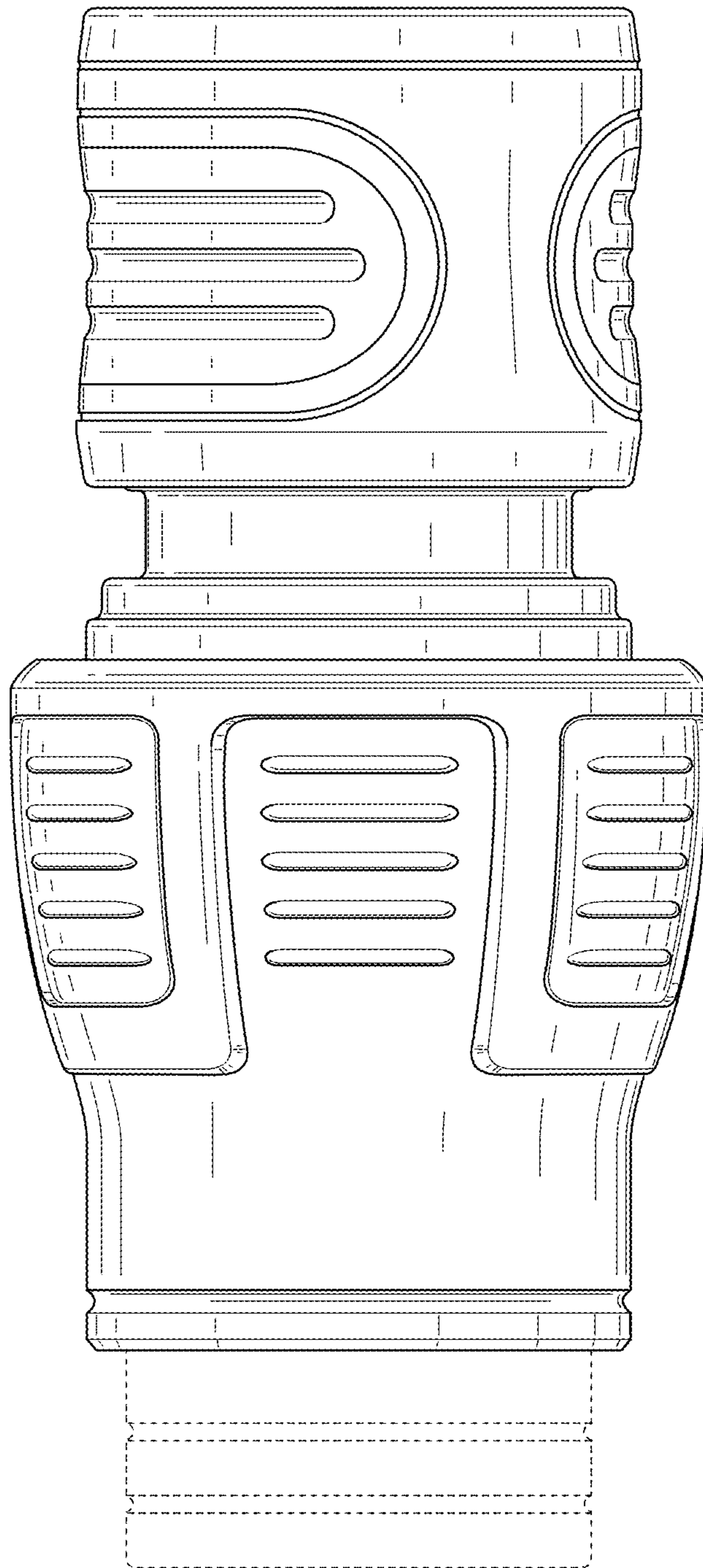


FIG. 2

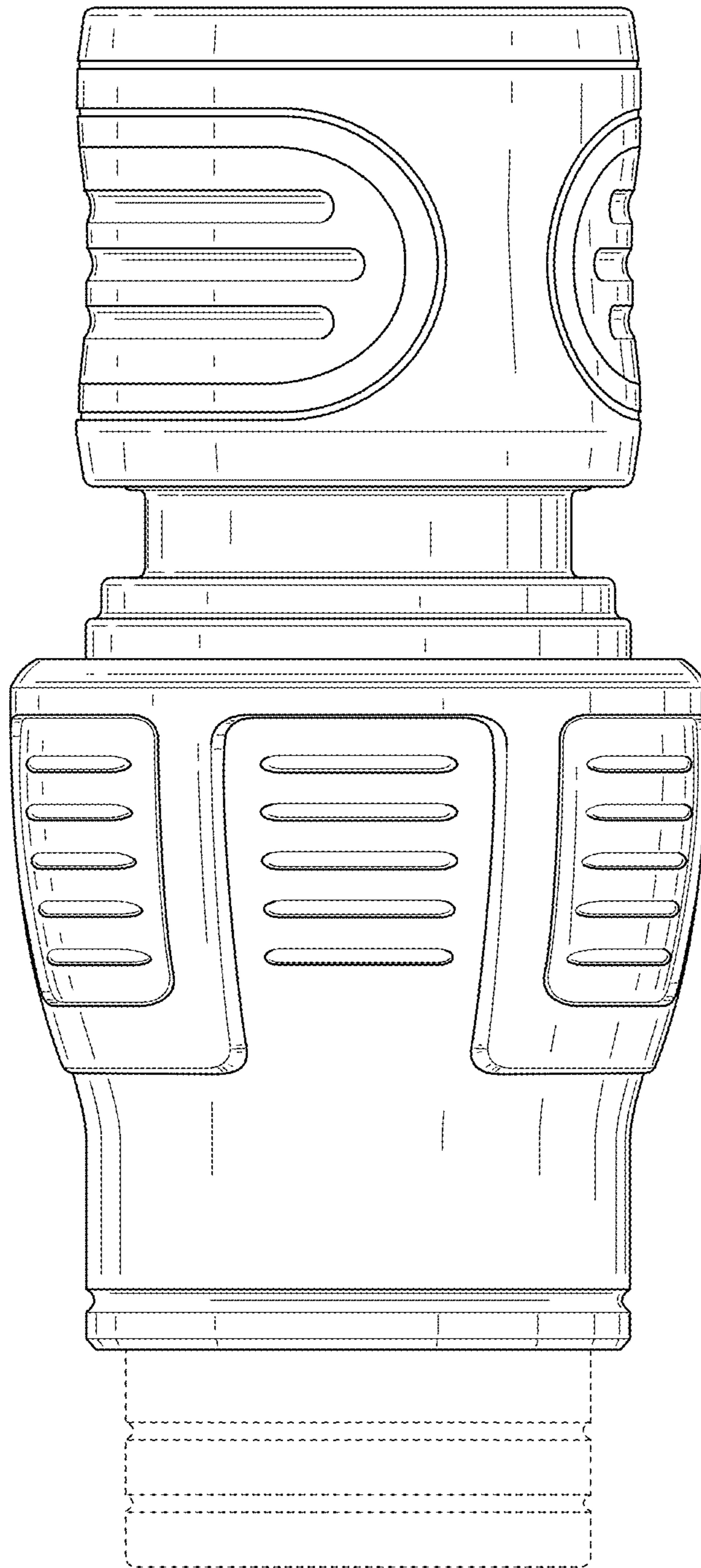


FIG. 3

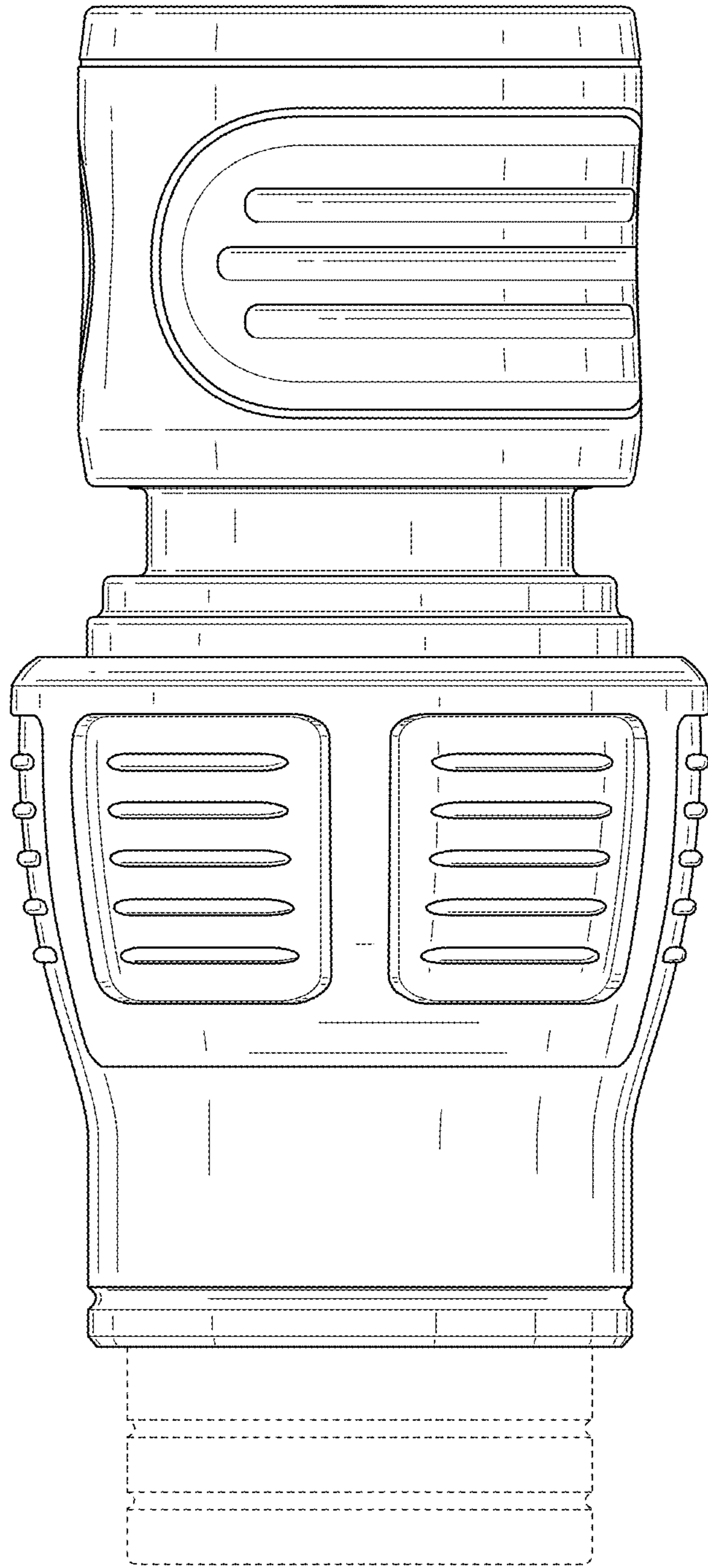


FIG. 4

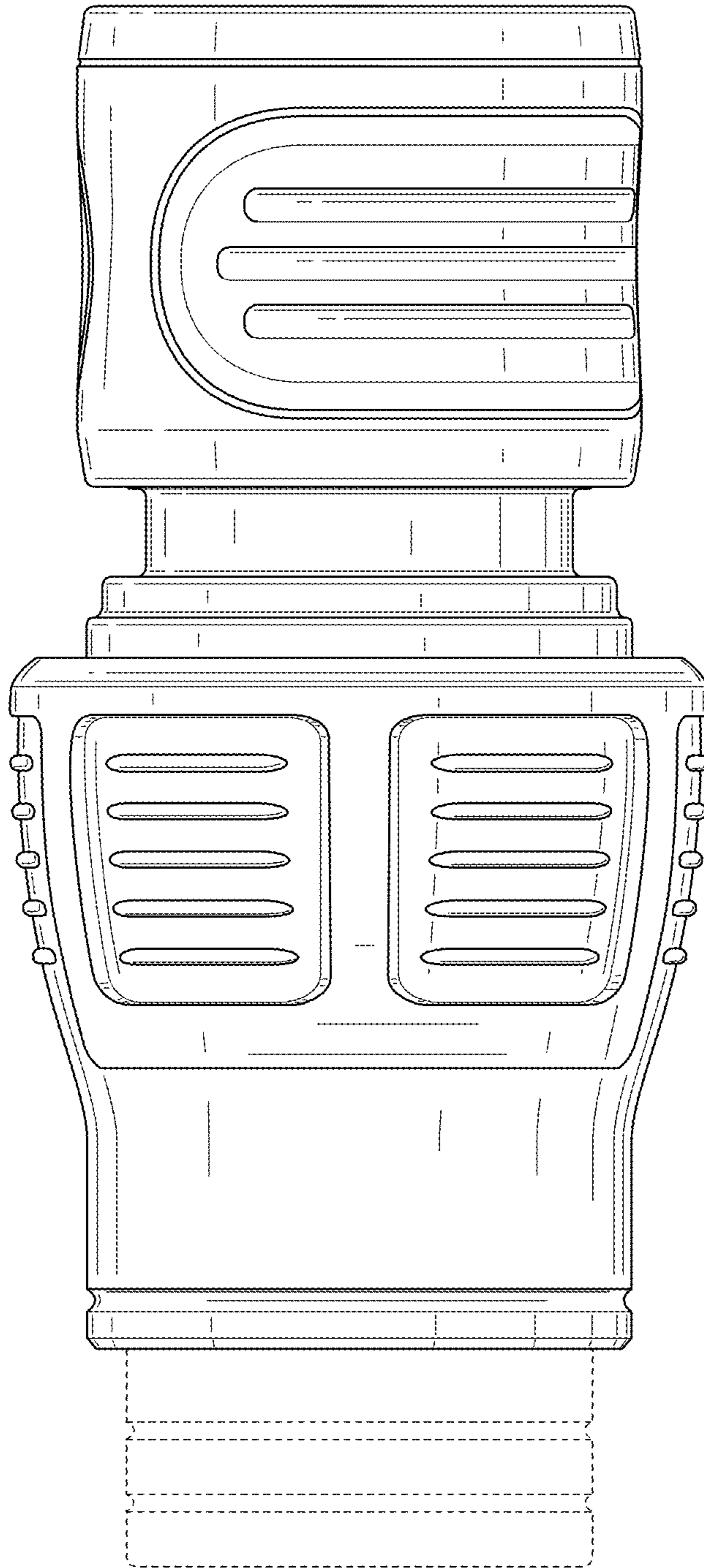


FIG. 5

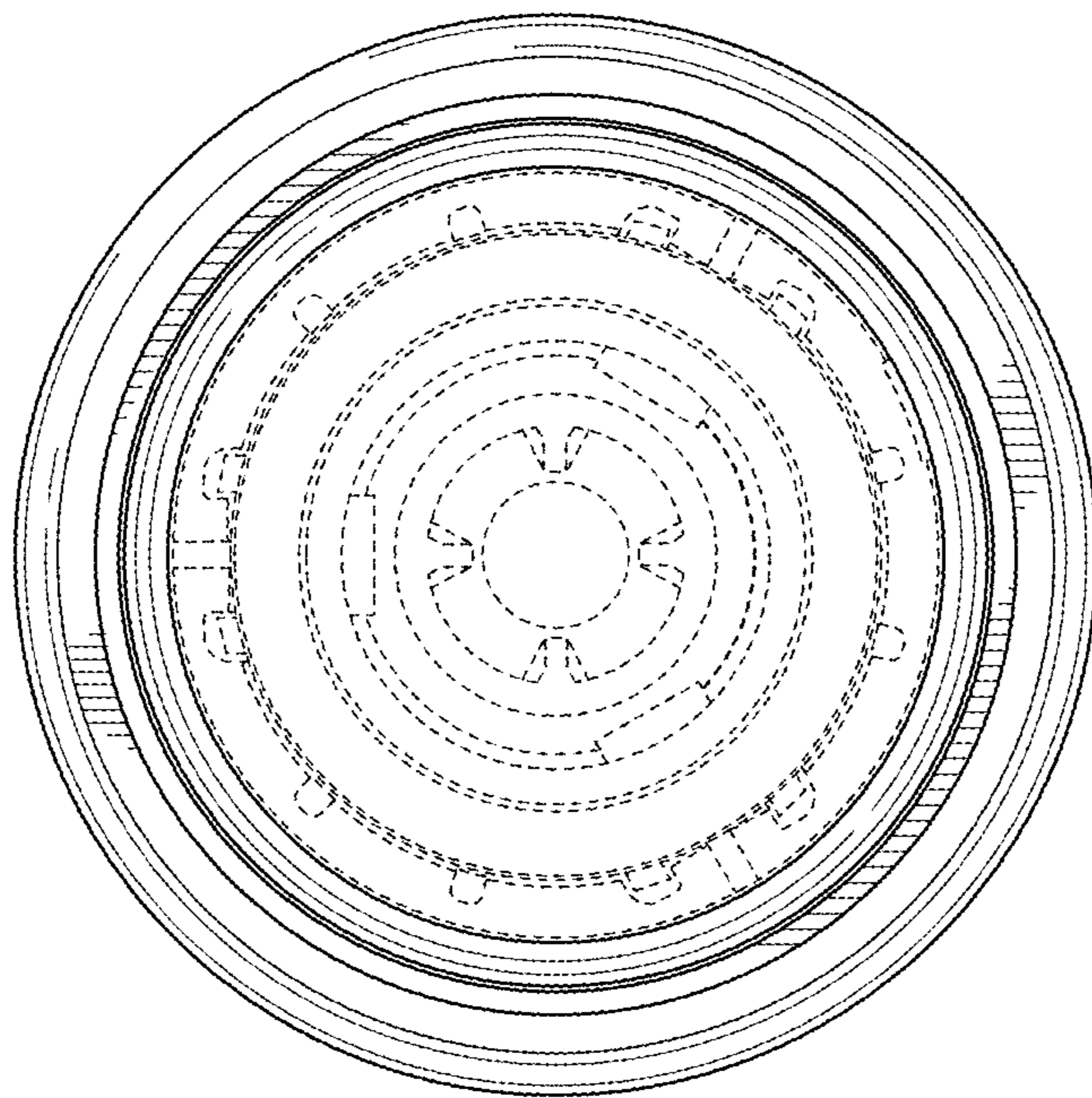


FIG. 6

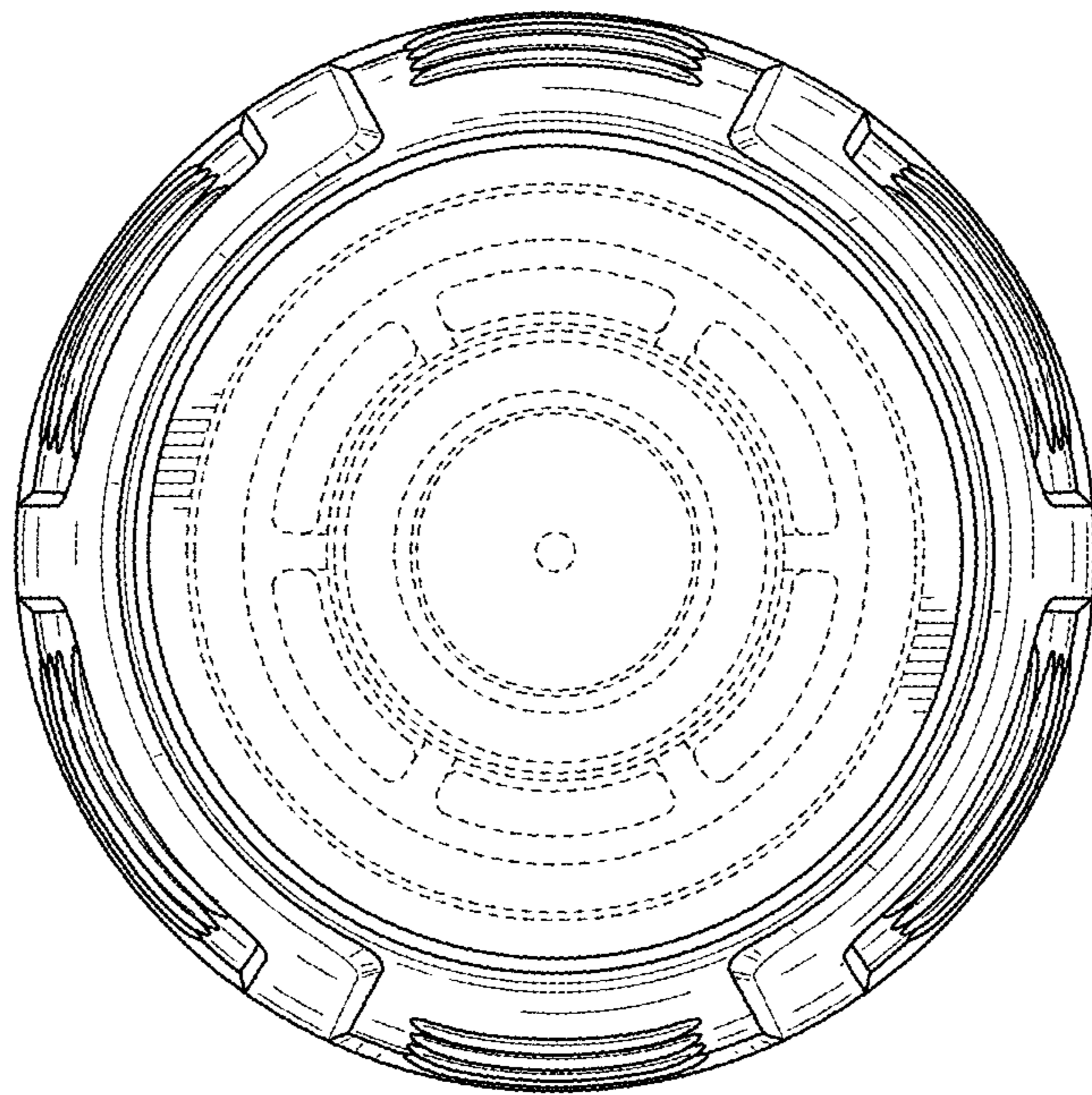


FIG. 7