

US00D832980S

(12) **United States Design Patent** (10) **Patent No.:** **US D832,980 S**
Scaramucci et al. (45) **Date of Patent:** **** Nov. 6, 2018**

(54) **VALVE BODY** 3,620,243 A * 11/1971 Zatopek F16K 5/205
137/246.22
(71) Applicant: **Valve Innovations, LLC**, Oklahoma 4,188,015 A * 2/1980 Halpine F16K 5/0684
City, OK (US) 251/172
4,548,067 A 10/1985 Cox
(72) Inventors: **John P. Scaramucci**, Oklahoma City, 4,840,057 A 6/1989 Bingham
OK (US); **Danny R. Lowe**, Oklahoma 4,852,387 A 8/1989 Bingham
City, OK (US) 4,887,644 A 12/1989 Jeromson et al.
5,000,223 A * 3/1991 Scaramucci F16K 15/03
137/515.7
(73) Assignee: **Valve Innovations, LLC**, Oklahoma 5,152,503 A 10/1992 Conway
City, OK (US) 5,293,903 A 3/1994 Appelwick
5,735,307 A 4/1998 Charron
(**) Term: **15 Years** (Continued)

(21) Appl. No.: **29/637,312**

(22) Filed: **Feb. 15, 2018**

Related U.S. Application Data

(62) Division of application No. 29/570,195, filed on Jul. 6, 2016, now Pat. No. Des. 822,796.

(51) **LOC (11) Cl.** **23-01**

(52) **U.S. Cl.**
USPC **D23/233**

(58) **Field of Classification Search**
USPC D23/233-250; 137/515.7, 385, 246.22,
137/329.06, 118.04, 498, 516.11, 597,
137/602, 533.11, 625.46, 270, 887, 876;
73/1.72; 251/315.01, 213, 292, 301, 180,
251/315.14, 175, 172
CPC F16K 27/067; F16K 31/52425
See application file for complete search history.

(56) **References Cited**

U.S. PATENT DOCUMENTS

2,853,267 A * 9/1958 Herren F16K 1/2285
251/175
3,290,001 A * 12/1966 Taylor F16K 1/226
137/329.06
3,345,032 A 10/1967 Rawstron
3,516,638 A 6/1970 Piggott

OTHER PUBLICATIONS

“Evans Ball Valves—Process Cooling Water System” Product Brochure, Evans Components, Inc. Retrieved from the Internet: <http://evanscomponents.com/PCWSFP.html>.

Primary Examiner — Cynthia Ramirez

Assistant Examiner — Gino Colan

(74) *Attorney, Agent, or Firm* — Dunlap Coddling, P.C.

(57) **CLAIM**

The ornamental design for a valve body, as shown and described.

DESCRIPTION

FIG. 1 is a perspective view of a valve body showing our new design.

FIG. 2 is a front elevational view thereof.

FIG. 3 is a rear elevational view thereof.

FIG. 4 is a side elevational view thereof.

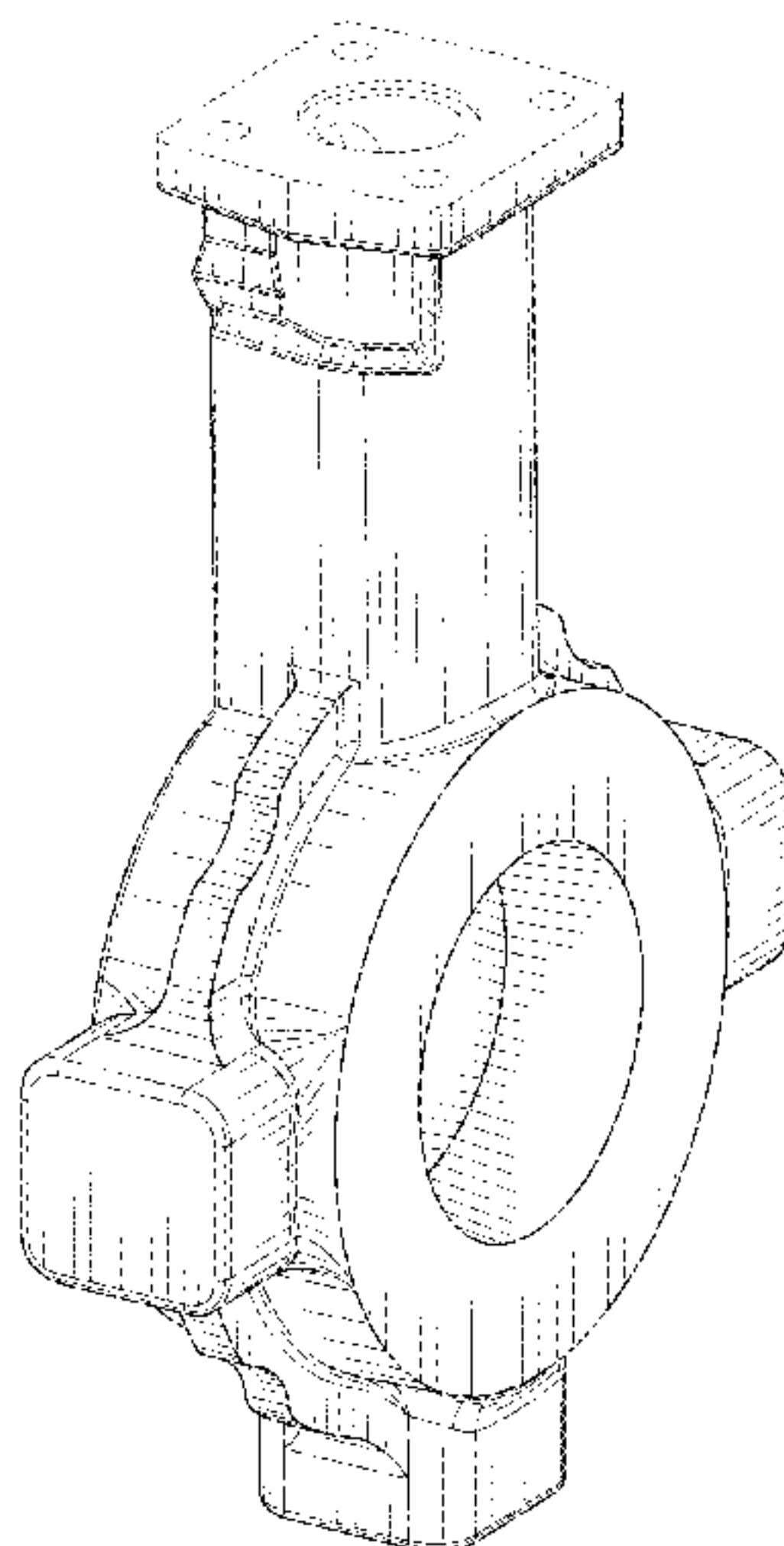
FIG. 5 is a side elevational view of a side opposite that shown in FIG. 4.

FIG. 6 is a top plan view thereof; and,

FIG. 7 is a bottom plan view thereof.

The broken lines represent environment that forms no part of the claim.

1 Claim, 5 Drawing Sheets



(56)

References Cited

U.S. PATENT DOCUMENTS

8,113,230 B2 *	2/2012	Vuojamo	F16K 5/0642 137/385
D678,471 S	3/2013	Sisk	
D692,099 S	10/2013	Freeth	
D746,948 S	1/2016	Hemman et al.	
9,964,226 B2 *	5/2018	Scaramucci	F16K 5/0647
D822,796 S *	7/2018	Scaramucci	D23/233
2007/0256746 A1	11/2007	Chang	
2008/0179558 A1	7/2008	Lloyd	
2009/0146093 A1	6/2009	Hartman et al.	
2013/0062546 A1	3/2013	Saldivar et al.	
2014/0116540 A1	5/2014	Waldor	
2015/0097132 A1	4/2015	Fan	
2015/0137020 A1	5/2015	Fan	
2017/0343118 A1	11/2017	Balan	

* cited by examiner

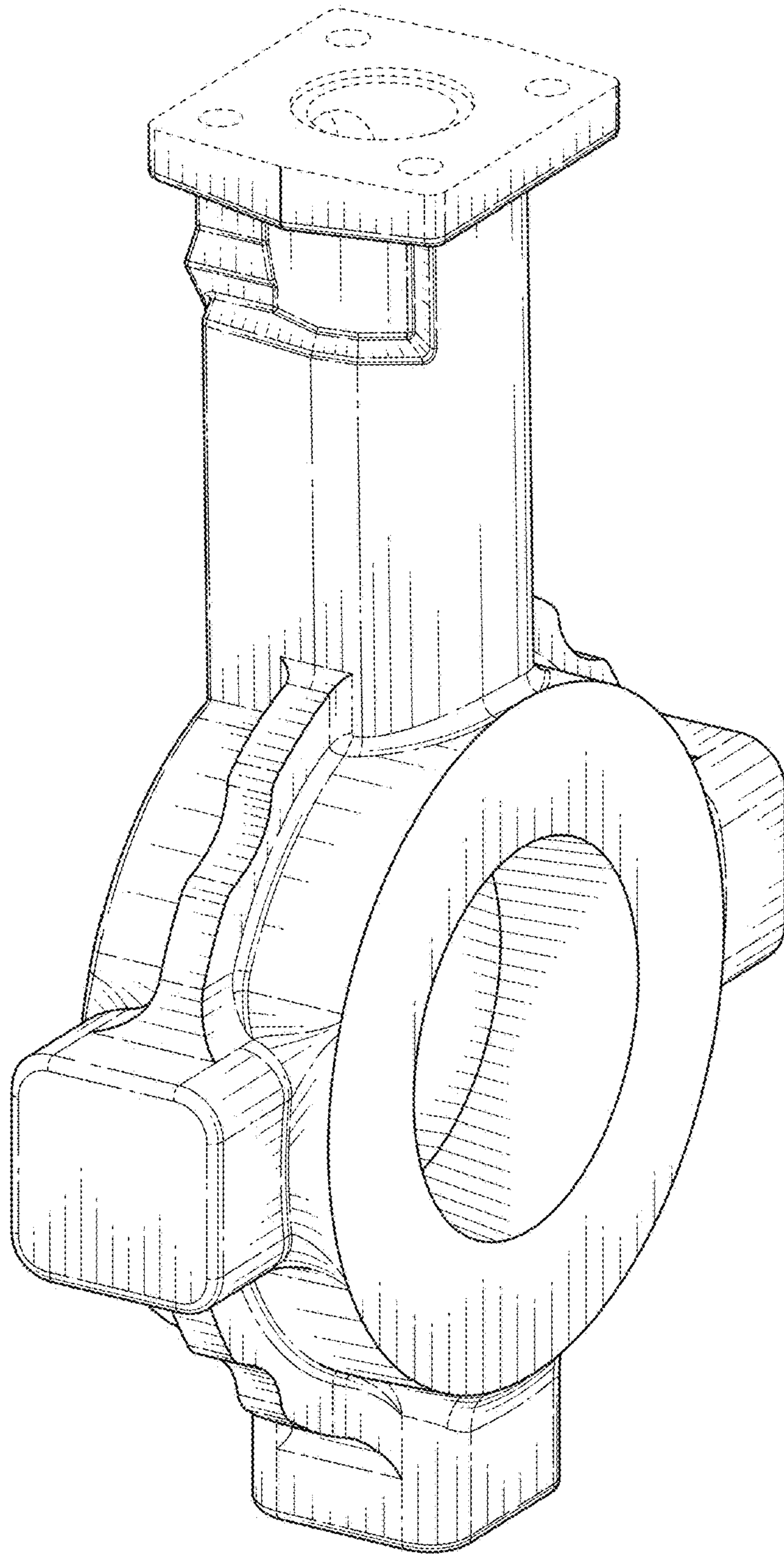


FIG. 1

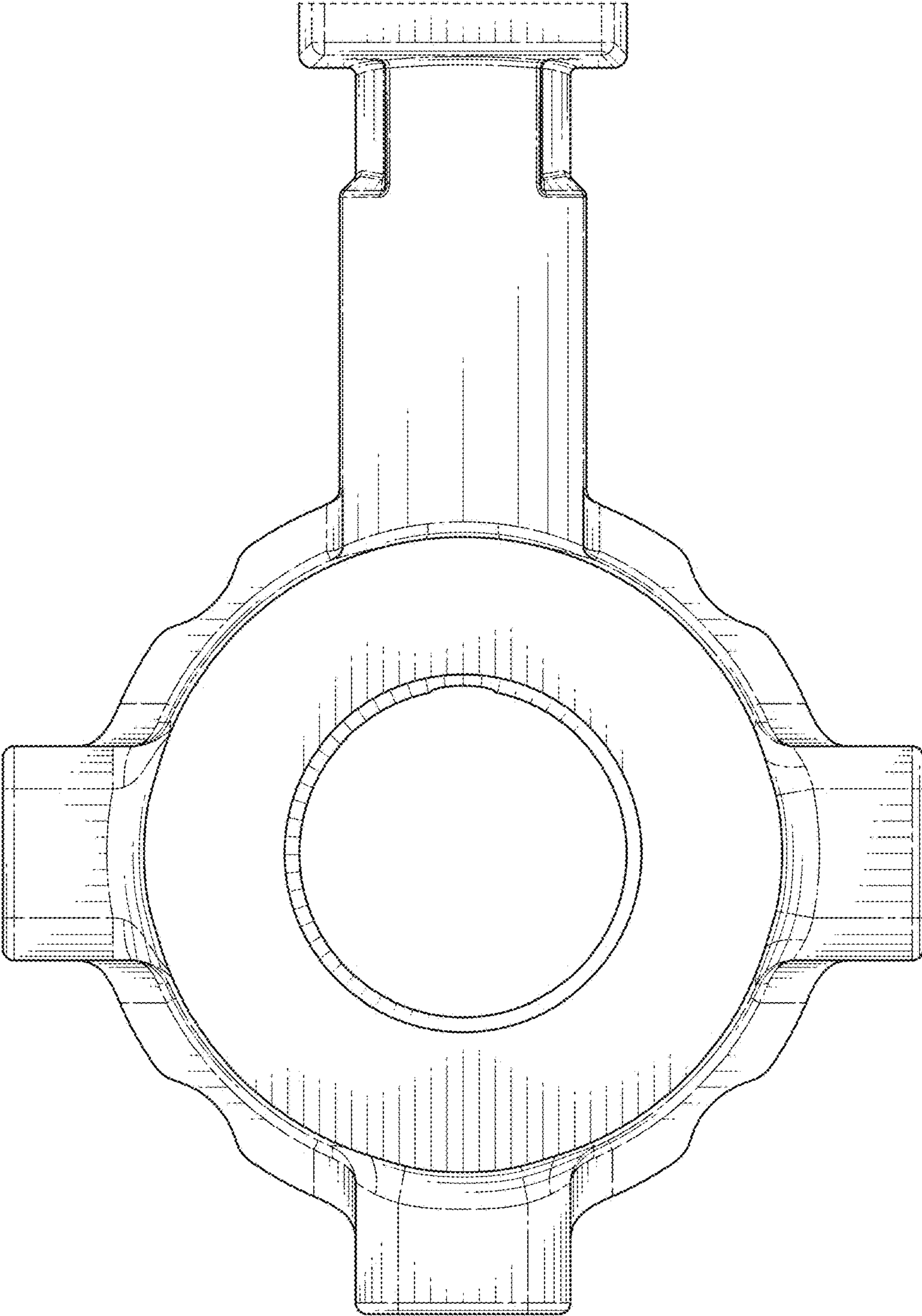


FIG. 2

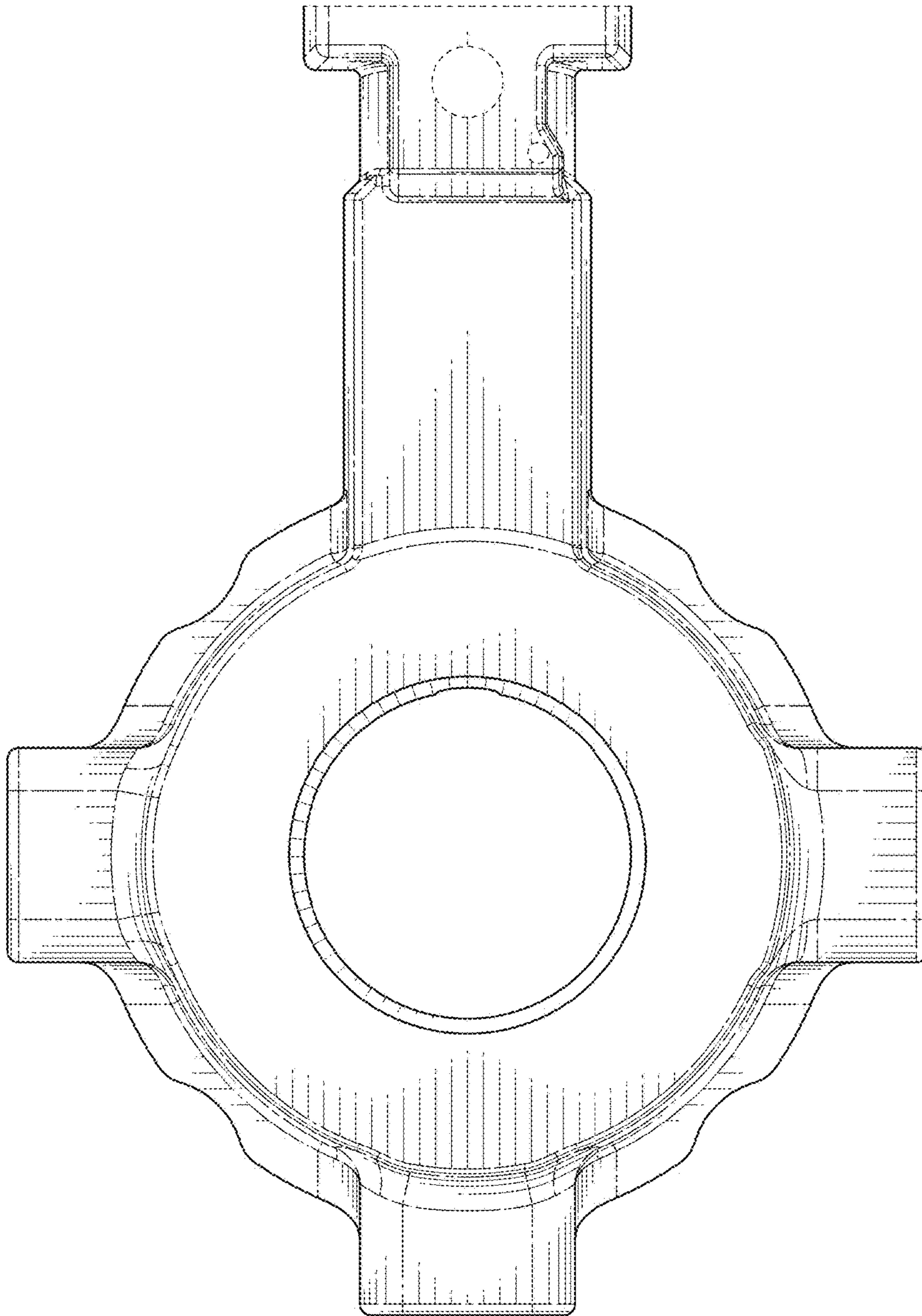


FIG. 3

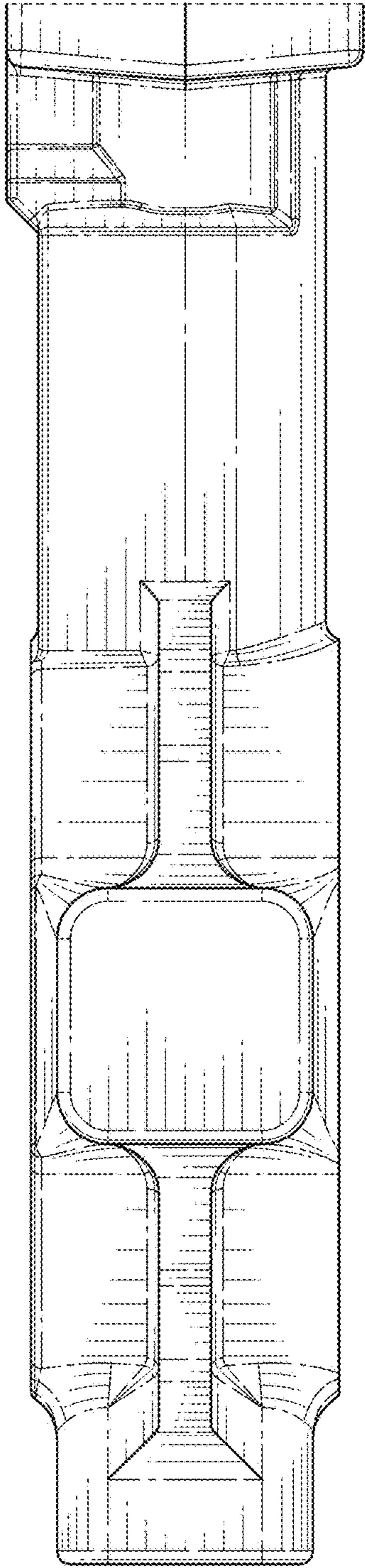


FIG. 4

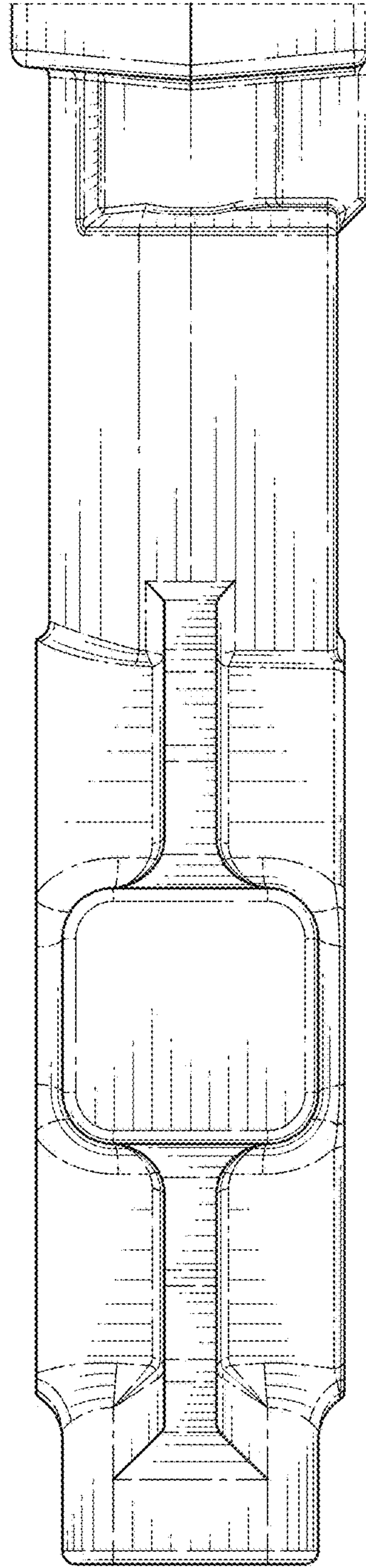


FIG. 5

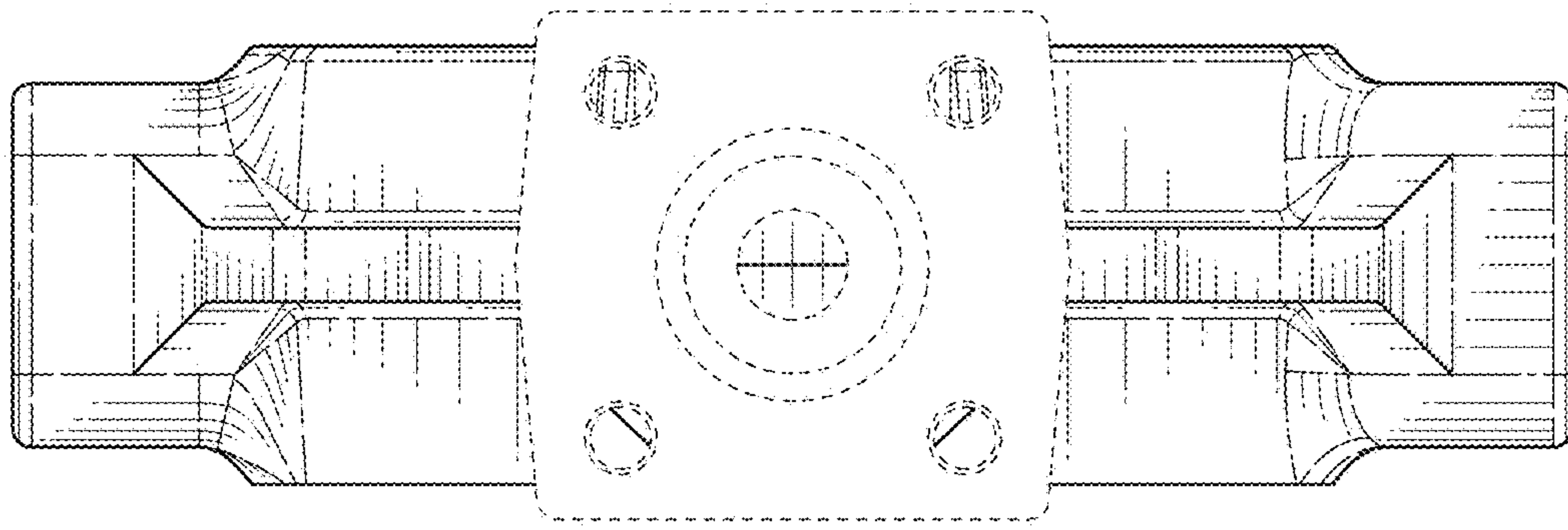


FIG. 6

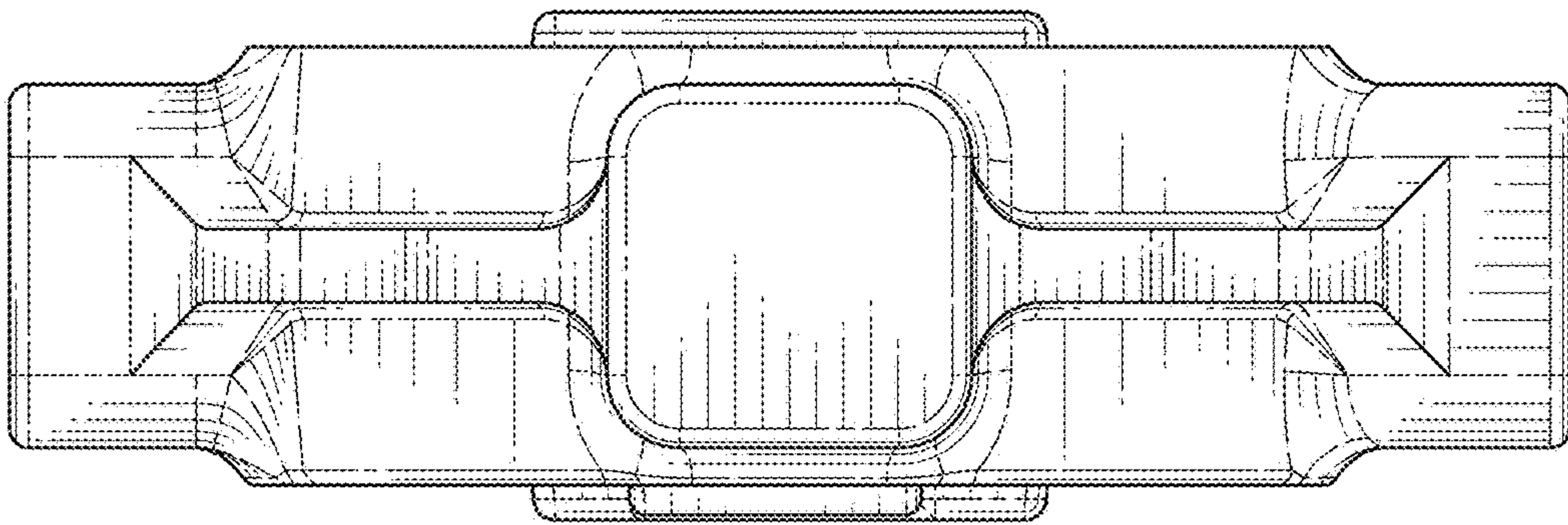


FIG. 7