



US00D832979S

(12) **United States Design Patent** (10) **Patent No.:** **US D832,979 S**  
**Scaramucci et al.** (45) **Date of Patent:** **\*\* Nov. 6, 2018**

(54) **VALVE BODY** 3,516,638 A 6/1970 Piggott  
3,620,243 A \* 11/1971 Zatopek ..... F16K 5/205  
(71) Applicant: **Valve Innovations, LLC**, Oklahoma 137/246.22  
City, OK (US) 4,188,015 A \* 2/1980 Halpine ..... F16K 5/0684  
251/172  
(72) Inventors: **John P. Scaramucci**, Oklahoma City, 4,548,067 A 10/1985 Cox  
OK (US); **Danny R. Lowe**, Oklahoma 4,840,057 A 6/1989 Bingham  
City, OK (US) 4,852,387 A 8/1989 Bingham  
4,887,644 A 12/1989 Jeromson et al.  
5,000,223 A \* 3/1991 Scaramucci ..... F16K 15/03  
137/515.7  
(73) Assignee: **Valve Innovations, LLC**, Oklahoma 5,152,503 A 10/1992 Conway  
City, OK (US) 5,293,903 A 3/1994 Appelwick  
5,735,307 A 4/1998 Charron  
(\*\*) Term: **15 Years** (Continued)

(21) Appl. No.: **29/637,307**

(22) Filed: **Feb. 15, 2018**

**Related U.S. Application Data**

(62) Division of application No. 29/570,195, filed on Jul. 6, 2016, now Pat. No. Des. 822,796.

(51) **LOC (11) Cl.** ..... **23-01**

(52) **U.S. Cl.**  
USPC ..... **D23/233**

(58) **Field of Classification Search**  
USPC ..... D23/233–250; 137/118.04, 498, 516.11,  
137/597, 602, 533.11, 625.46, 270, 887,  
137/876, 599.11, 10, 12, 15.18, 515.7,  
137/385, 246.22, 329.06; 73/1.72;  
251/315.01, 213, 292, 301, 180, 315.14,  
251/175, 172

CPC ..... F16K 27/067; F16K 31/52425  
See application file for complete search history.

(56) **References Cited**

**U.S. PATENT DOCUMENTS**

2,853,267 A \* 9/1958 Herren ..... F16K 1/2285  
251/175  
3,290,001 A \* 12/1966 Taylor ..... F16K 1/226  
137/329.06  
3,345,032 A 10/1967 Rawstron

**OTHER PUBLICATIONS**

“Evans Ball Valves—Process Cooling Water System” Product Brochure, Evans Components, Inc. Retrieved from the Internet: <http://evanscomponents.com/PCWSFP.html>.

*Primary Examiner* — Cynthia Ramirez

*Assistant Examiner* — Gino Colan

(57) **CLAIM**

The ornamental design for a valve body, as shown and described.

**DESCRIPTION**

FIG. 1 is a perspective view of a valve body showing our new design.

FIG. 2 is a front elevational view thereof.

FIG. 3 is a rear elevational view thereof.

FIG. 4 is a side elevational view thereof.

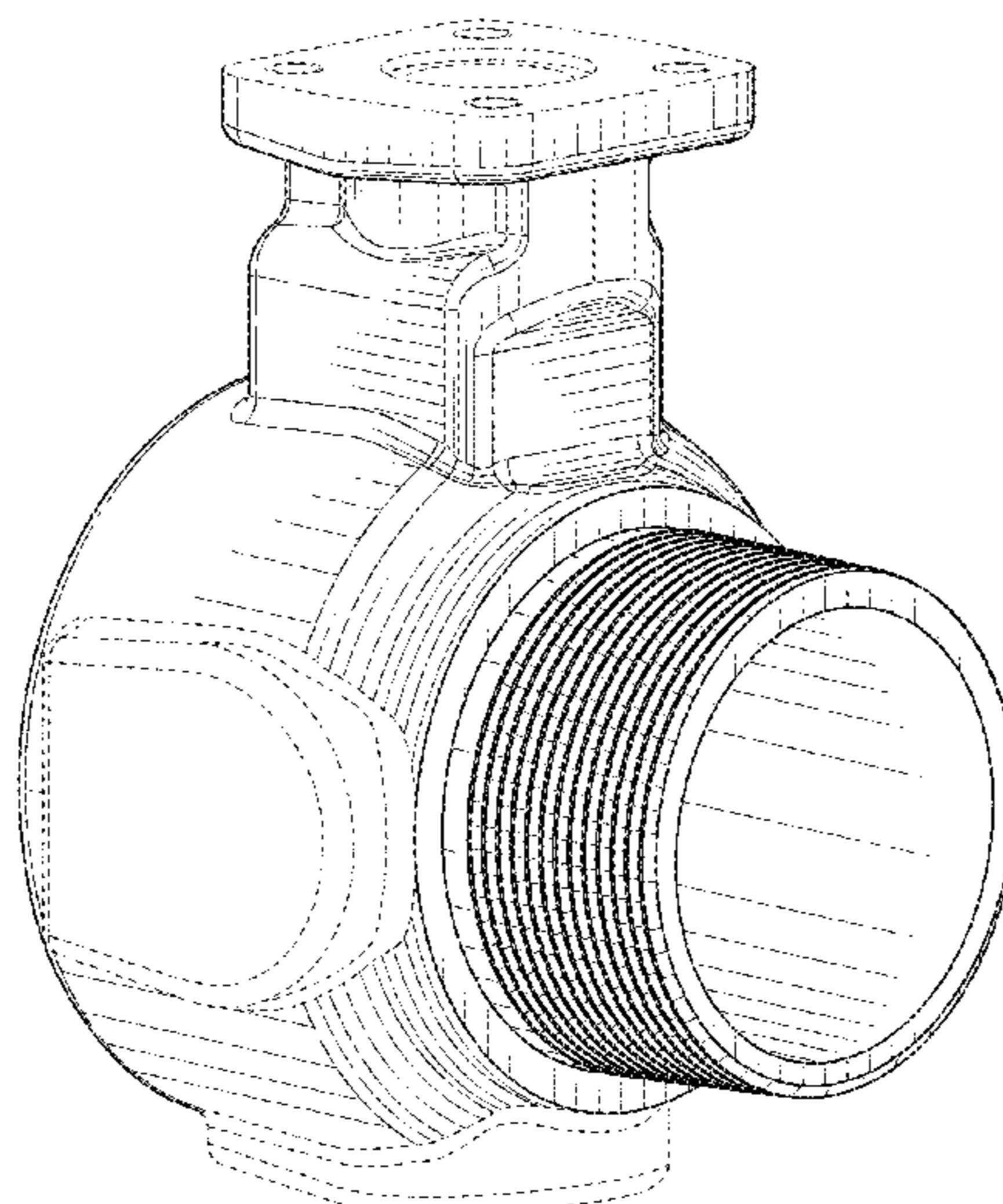
FIG. 5 is a side elevational view of a side opposite that shown in FIG. 4.

FIG. 6 is a top plan view thereof; and,

FIG. 7 is a bottom plan view thereof.

The broken lines represent environment that forms no part of the claim.

**1 Claim, 4 Drawing Sheets**



(56)

**References Cited**

U.S. PATENT DOCUMENTS

8,113,230	B2 *	2/2012	Vuojamo .....	F16K 5/0642 137/385
D678,471	S	3/2013	Sisk	
D692,099	S	10/2013	Freeth	
D746,948	S	1/2016	Hemman et al.	
9,964,226	B2 *	5/2018	Scaramucci .....	F16K 5/0647
D822,796	S *	7/2018	Scaramucci .....	D23/233
2007/0256746	A1	11/2007	Chang	
2008/0179558	A1	7/2008	Lloyd	
2009/0146093	A1	6/2009	Hartman et al.	
2013/0062546	A1	3/2013	Saldivar et al.	
2014/0116540	A1	5/2014	Waldor	
2015/0097132	A1	4/2015	Fan	
2015/0137020	A1	5/2015	Fan	
2017/0343118	A1	11/2017	Balan	

\* cited by examiner

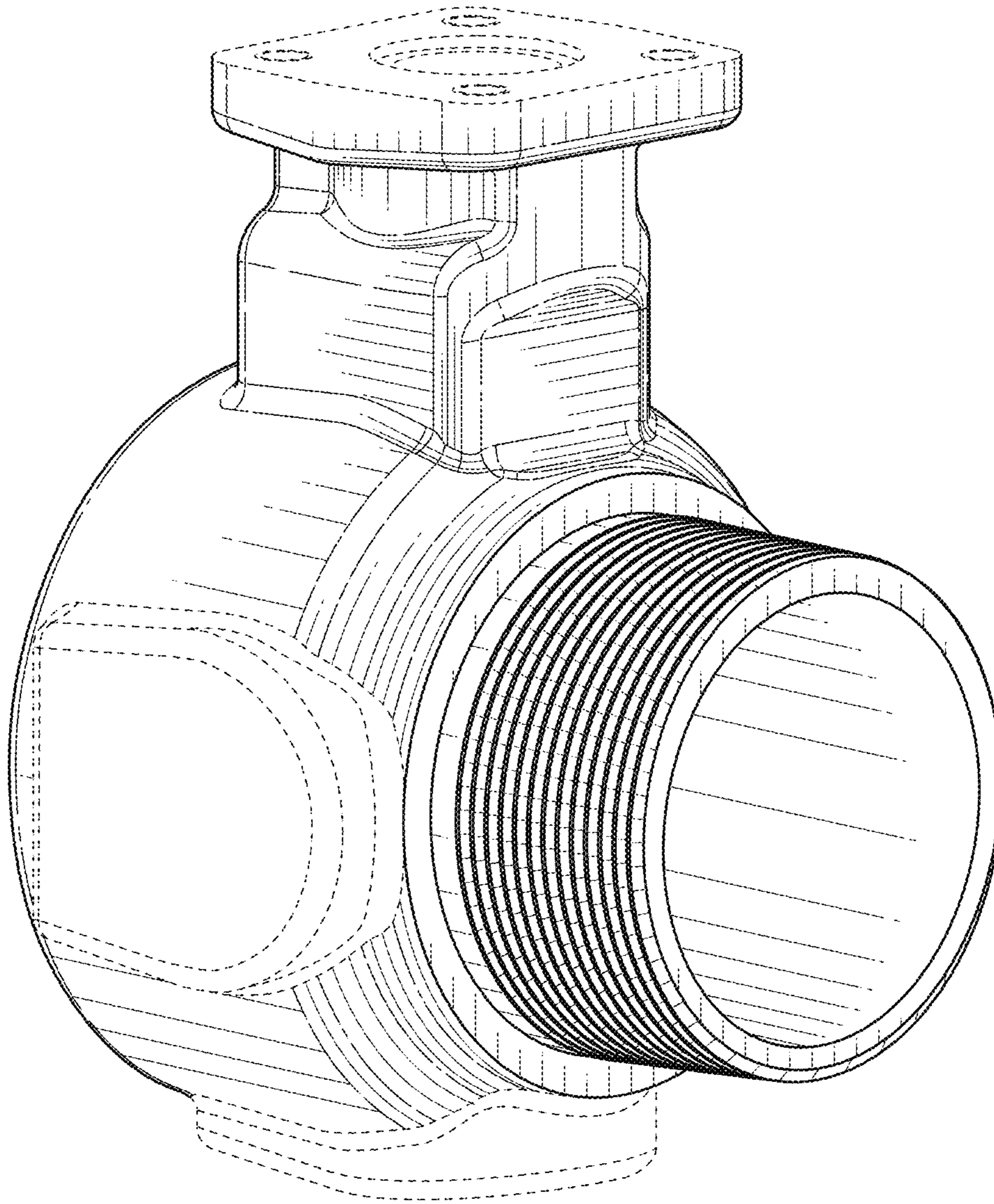


FIG. 1



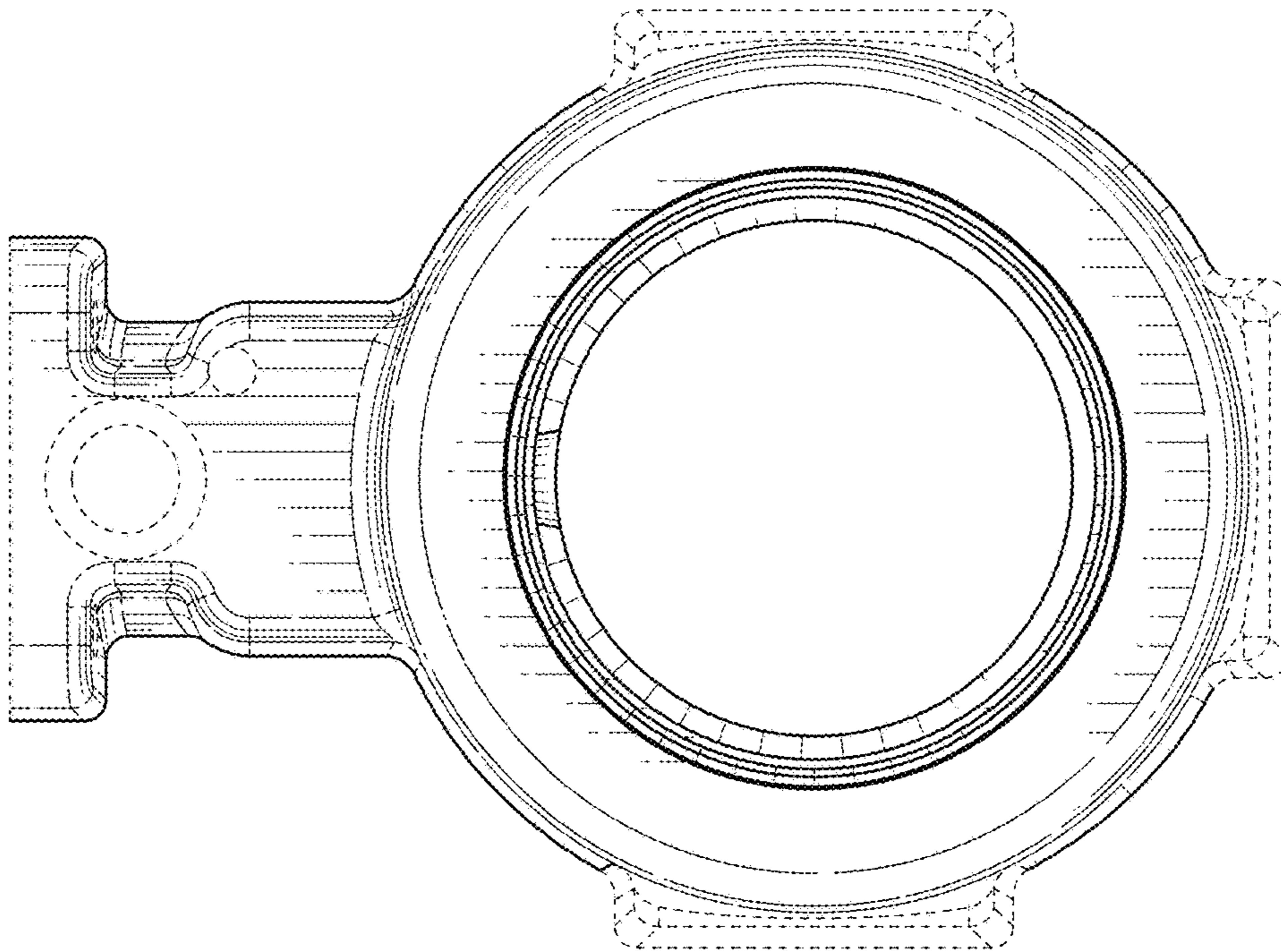


FIG. 3

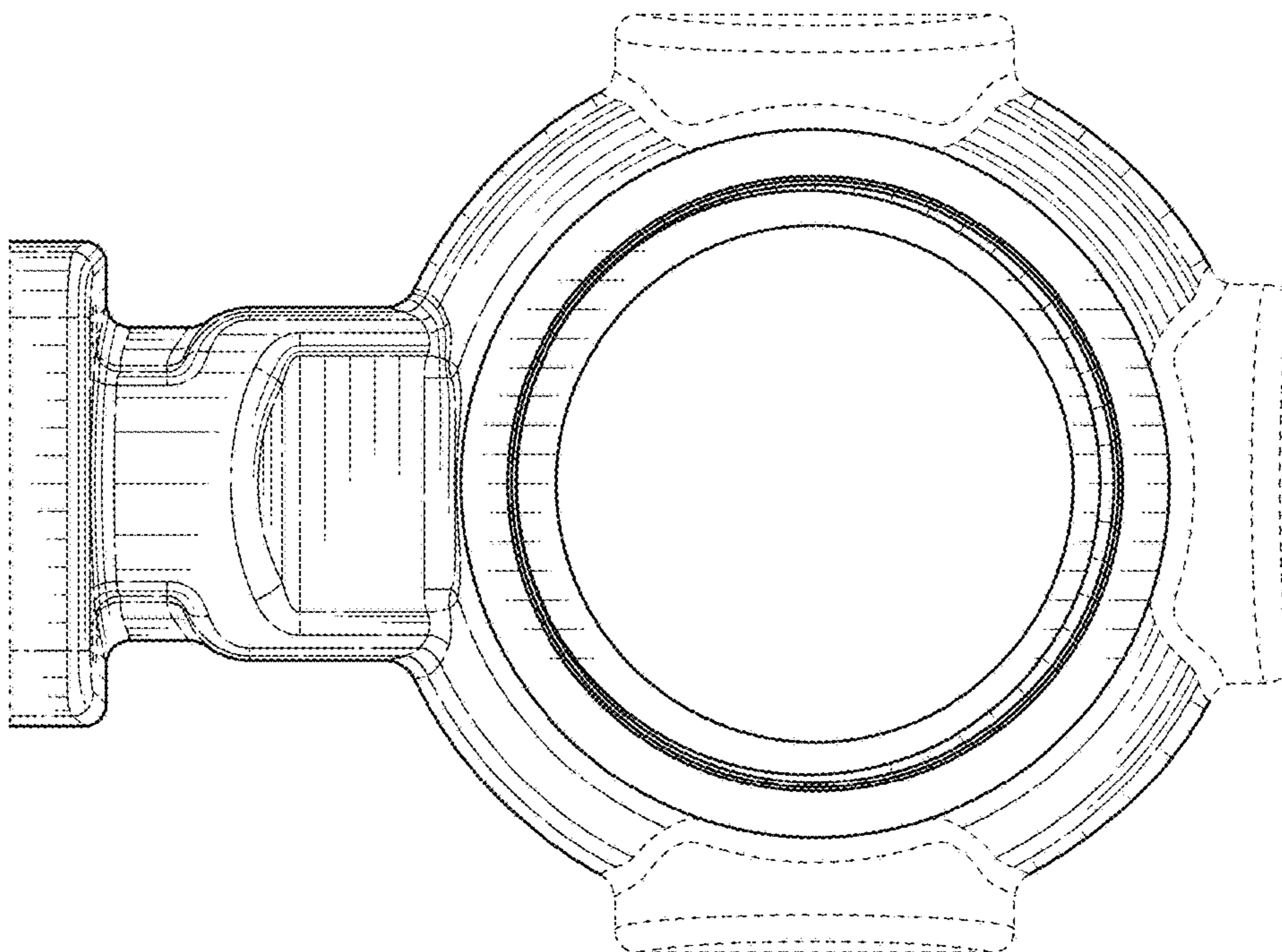


FIG. 2

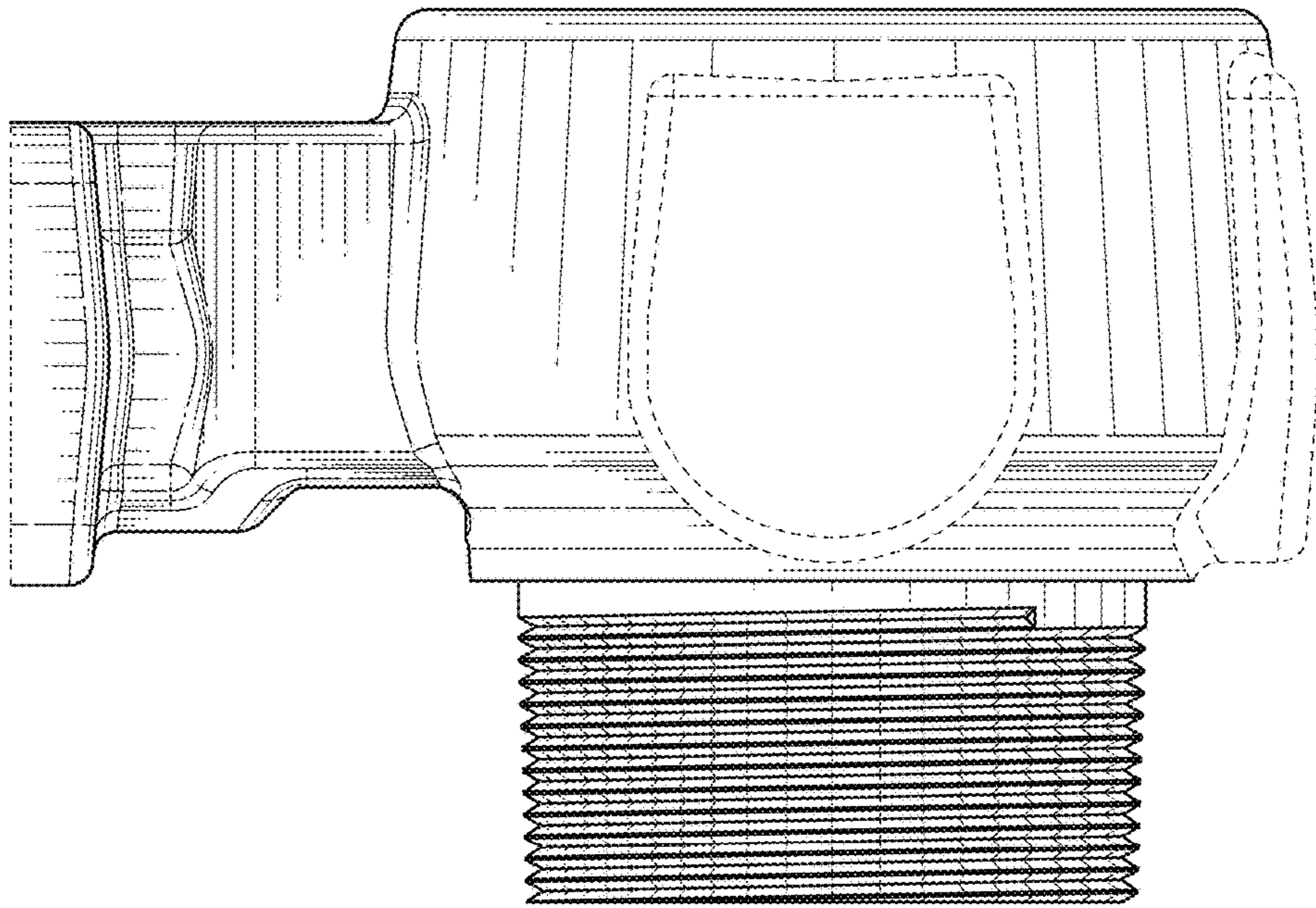


FIG. 5

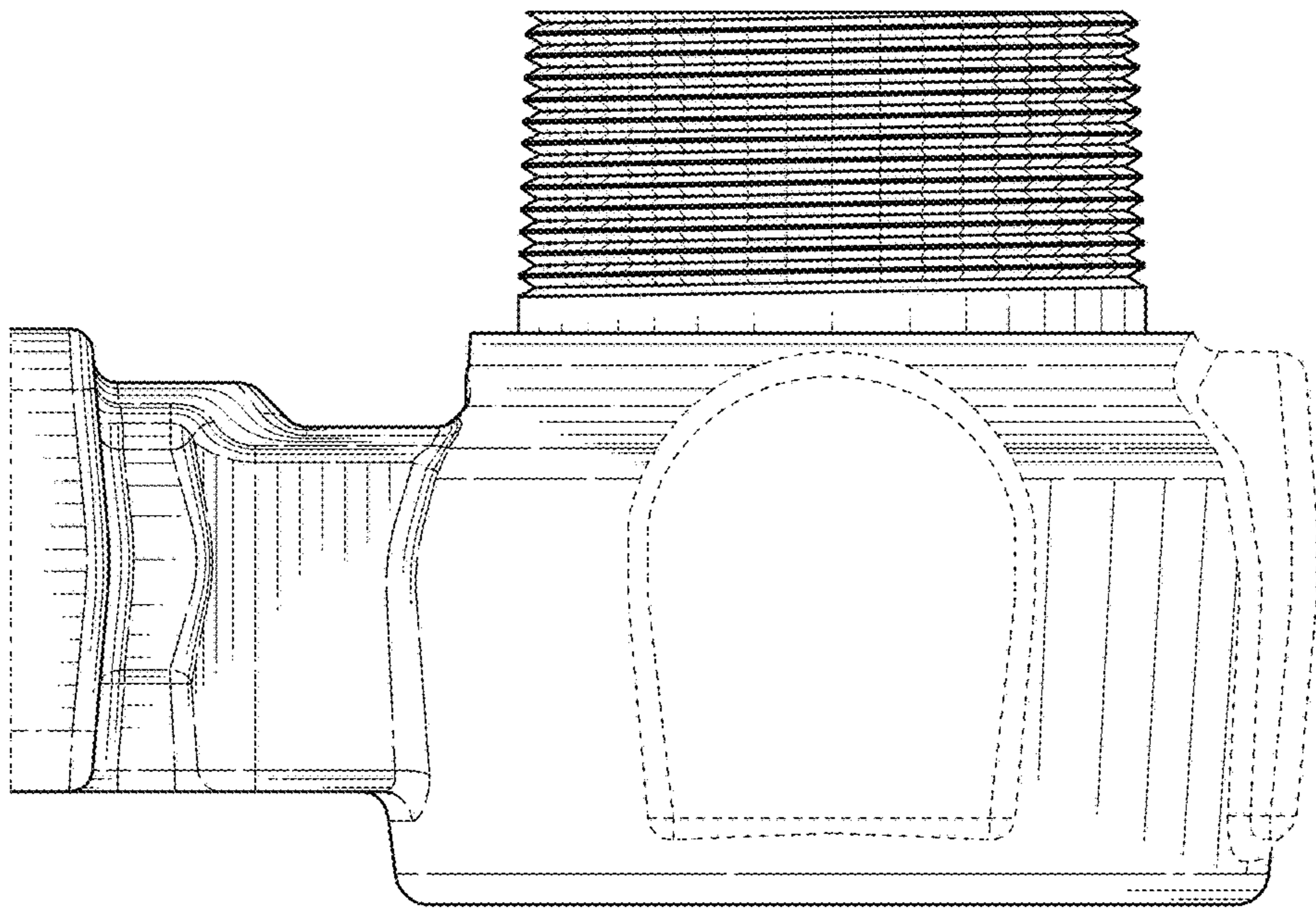


FIG. 4



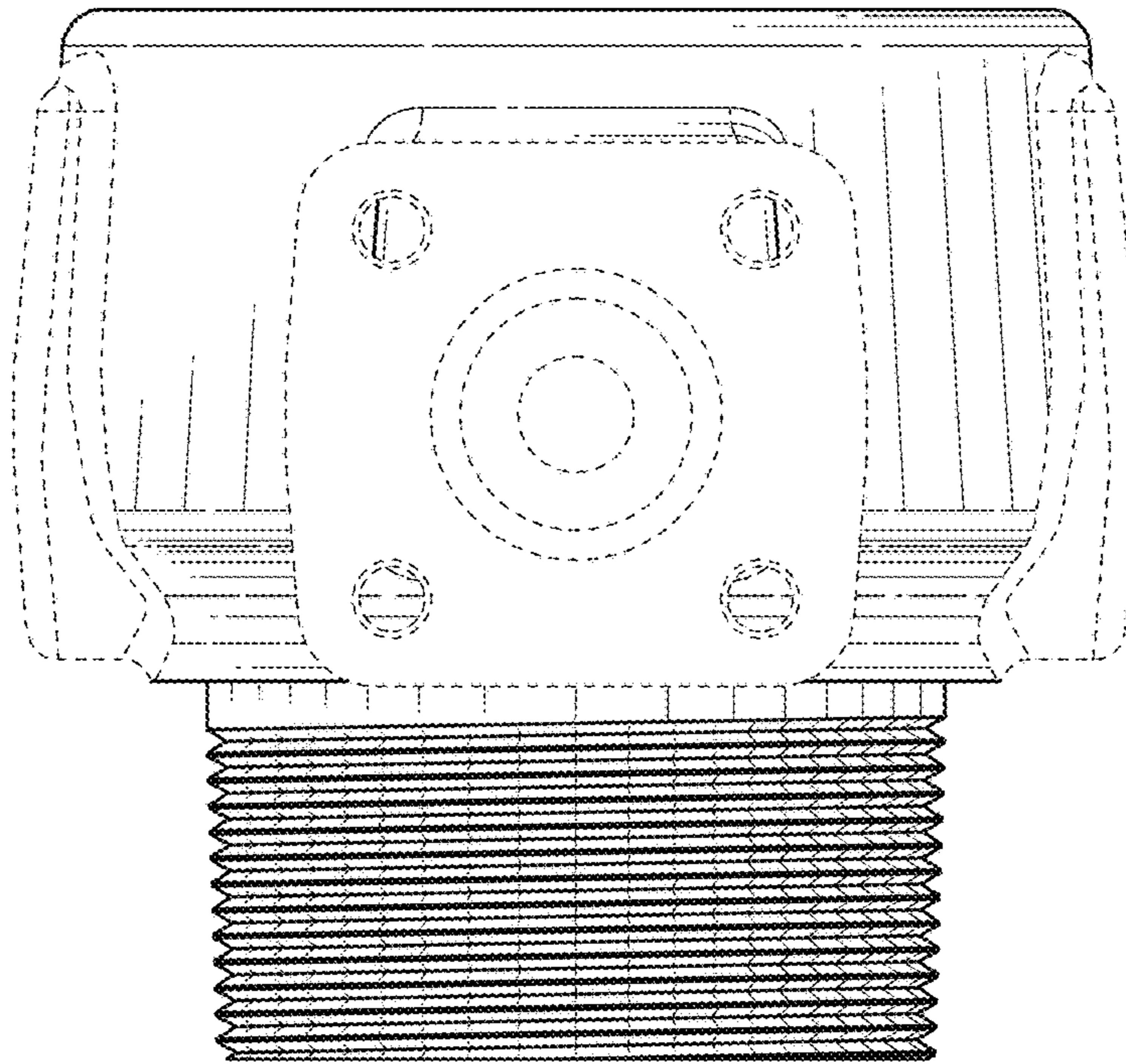


FIG. 6

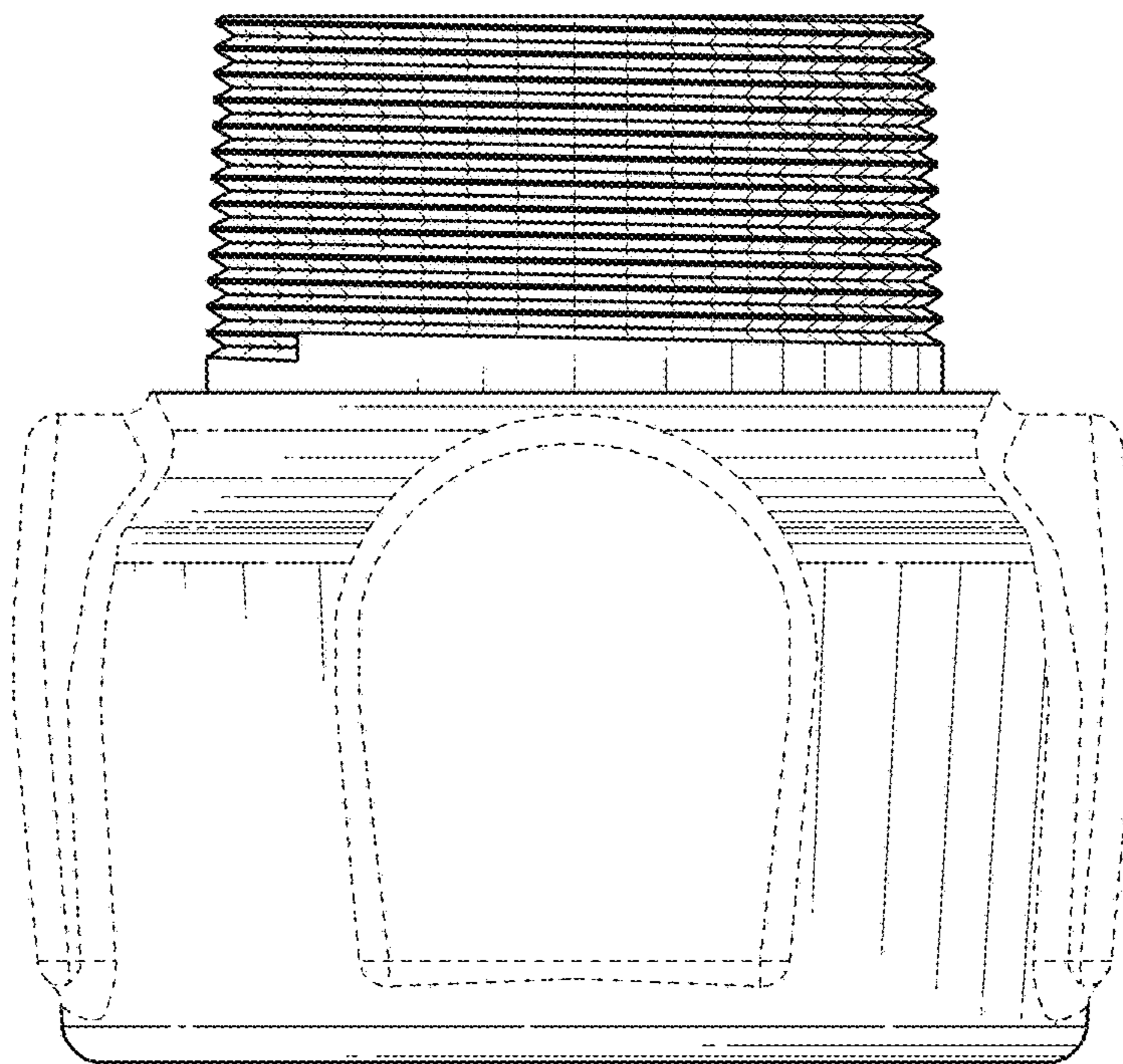


FIG. 7