



US00D832978S

(12) **United States Design Patent** (10) **Patent No.:** **US D832,978 S**
Miyawaki et al. (45) **Date of Patent:** **** Nov. 6, 2018**

(54) **HOSE NOZZLE**

D486,555 S * 2/2004 Chen D23/223
D576,252 S * 9/2008 Lo D23/223
D757,898 S * 5/2016 Yu D23/226

(71) Applicant: **IRIS OHYAMA INC.**, Sendai-shi,
Miyagi (JP)

FOREIGN PATENT DOCUMENTS

(72) Inventors: **Masayuki Miyawaki**, Kakuda (JP);
Masahiro Yoshida, Kakuda (JP)

JP 1122778 S 10/2001
JP 1180745 S 7/2003
JP 1234046 S 3/2005
JP 1339785 S 9/2008

(73) Assignee: **IRIS OHYAMA INC.**, Sendai-shi (JP)

(**) Term: **15 Years**

OTHER PUBLICATIONS

(21) Appl. No.: **29/617,256**

An Office Action; "Notice of Allowance", issued by the Japanese Patent Office on Oct. 3, 2017, which corresponds to Japanese Design Application No. 2017-006070; with English language Concise Explanation.

(22) Filed: **Sep. 13, 2017**

* cited by examiner

(30) **Foreign Application Priority Data**

Mar. 24, 2017 (JP) 2017-006070

(51) **LOC (11) Cl.** **23-01**

Primary Examiner — Robin V Webster

(52) **U.S. Cl.**

(74) *Attorney, Agent, or Firm* — Studebaker & Brackett PC

USPC **D23/226**

(58) **Field of Classification Search**

USPC D23/213, 223, 226
CPC B05B 1/00; B05B 9/01; B05B 9/03; B05B
1/005; B05B 5/1691; B05B 5/043; B05B
5/025

(57) **CLAIM**

The ornamental design for a hose nozzle, as shown and described.

See application file for complete search history.

DESCRIPTION

(56) **References Cited**

U.S. PATENT DOCUMENTS

D408,498 S * 4/1999 Wang D23/226
D447,216 S * 8/2001 Heren D23/226
D447,539 S * 9/2001 Tse D23/226
D458,984 S * 6/2002 Chen D23/226
D461,228 S * 8/2002 Huang D23/223
D463,509 S * 9/2002 Huang D21/572
D468,802 S * 1/2003 Nien D23/226

FIG. 1 is a front, top and right-side perspective view of a hose nozzle showing our new design;
FIG. 2 is a front view thereof;
FIG. 3 is a rear view thereof;
FIG. 4 is a top view thereof;
FIG. 5 is a bottom view thereof; and,
FIG. 6 is a right-side view thereof, with the left side being a mirror image thereof.

1 Claim, 6 Drawing Sheets

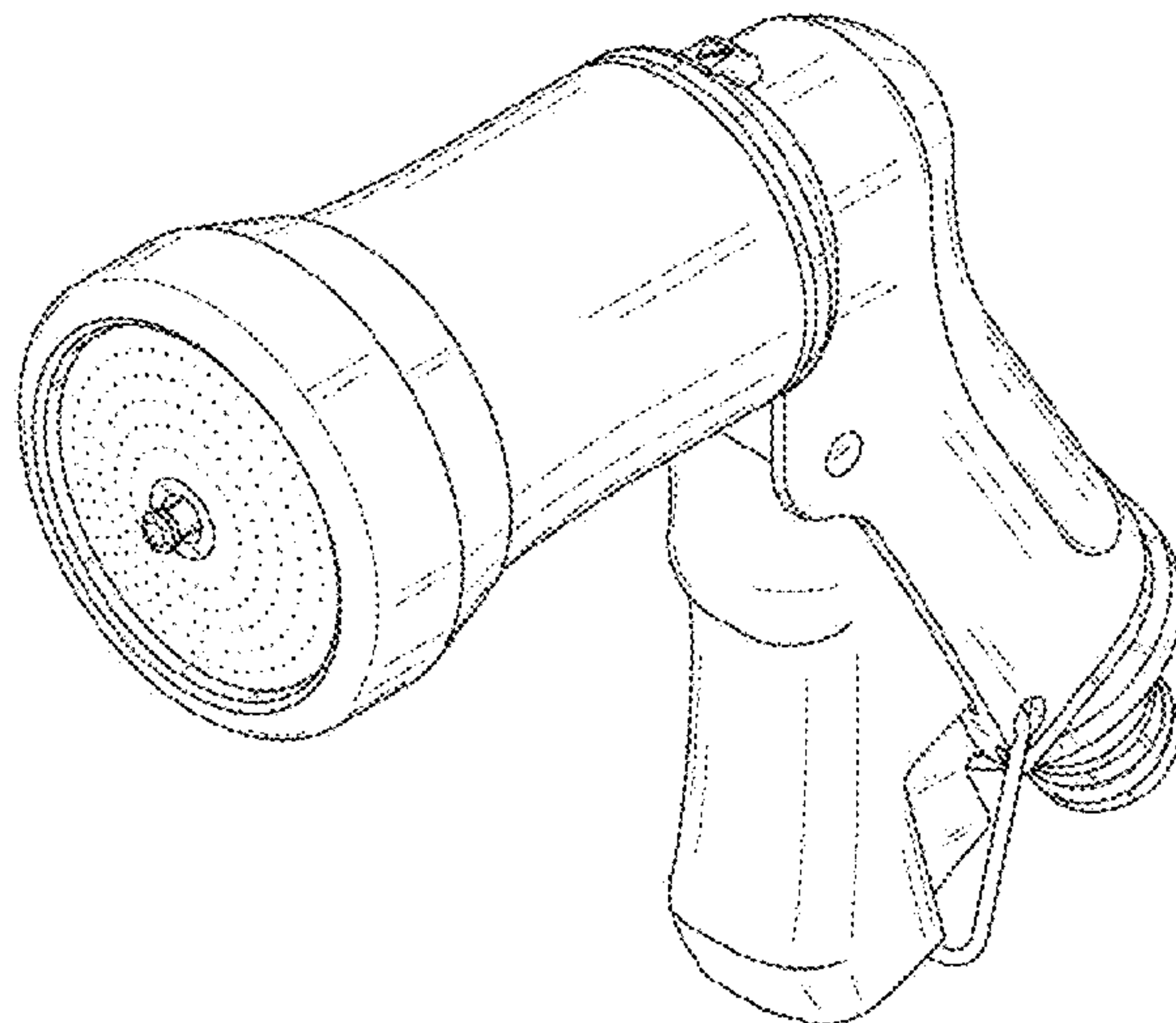


FIG. 1

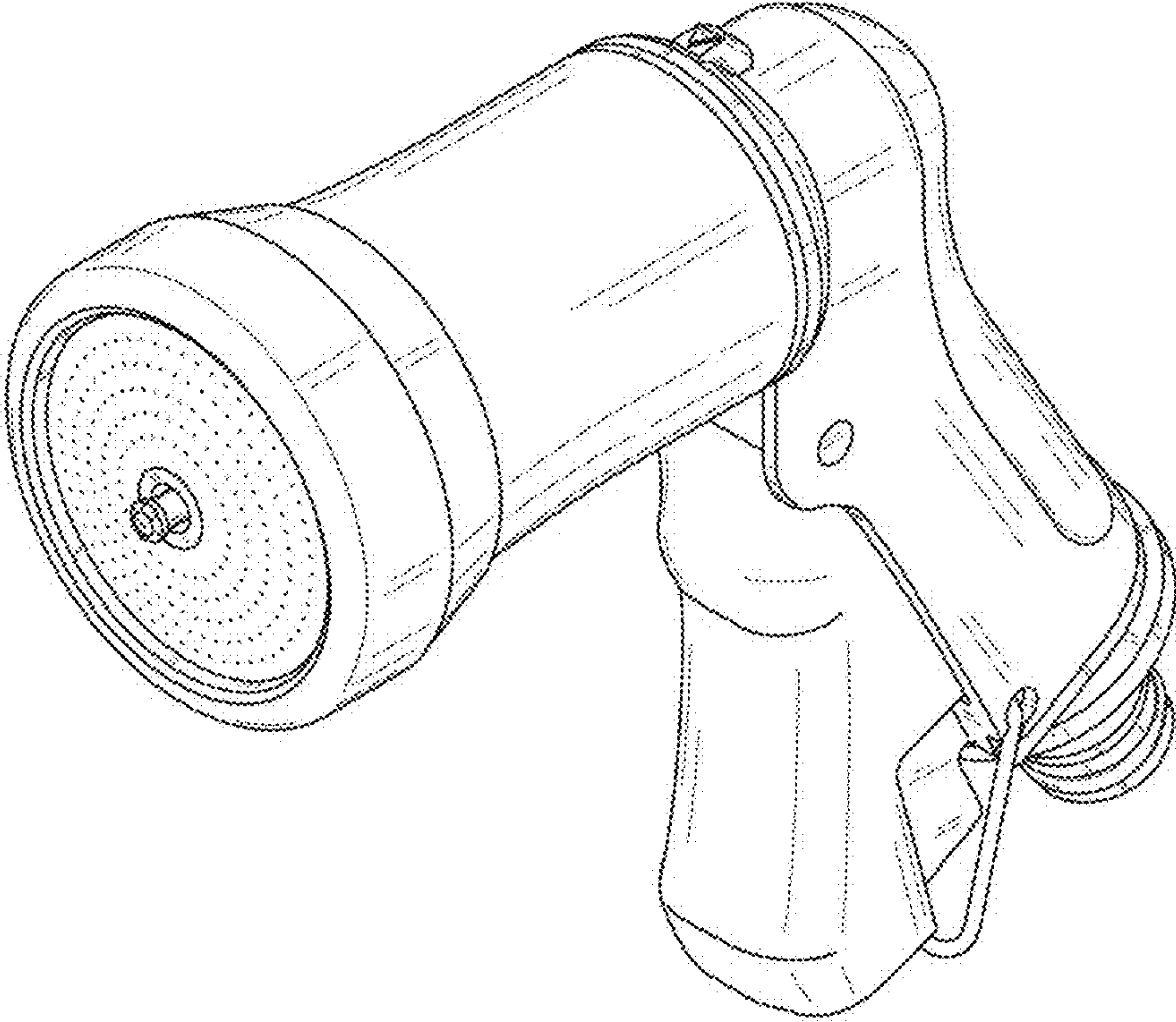


FIG. 2

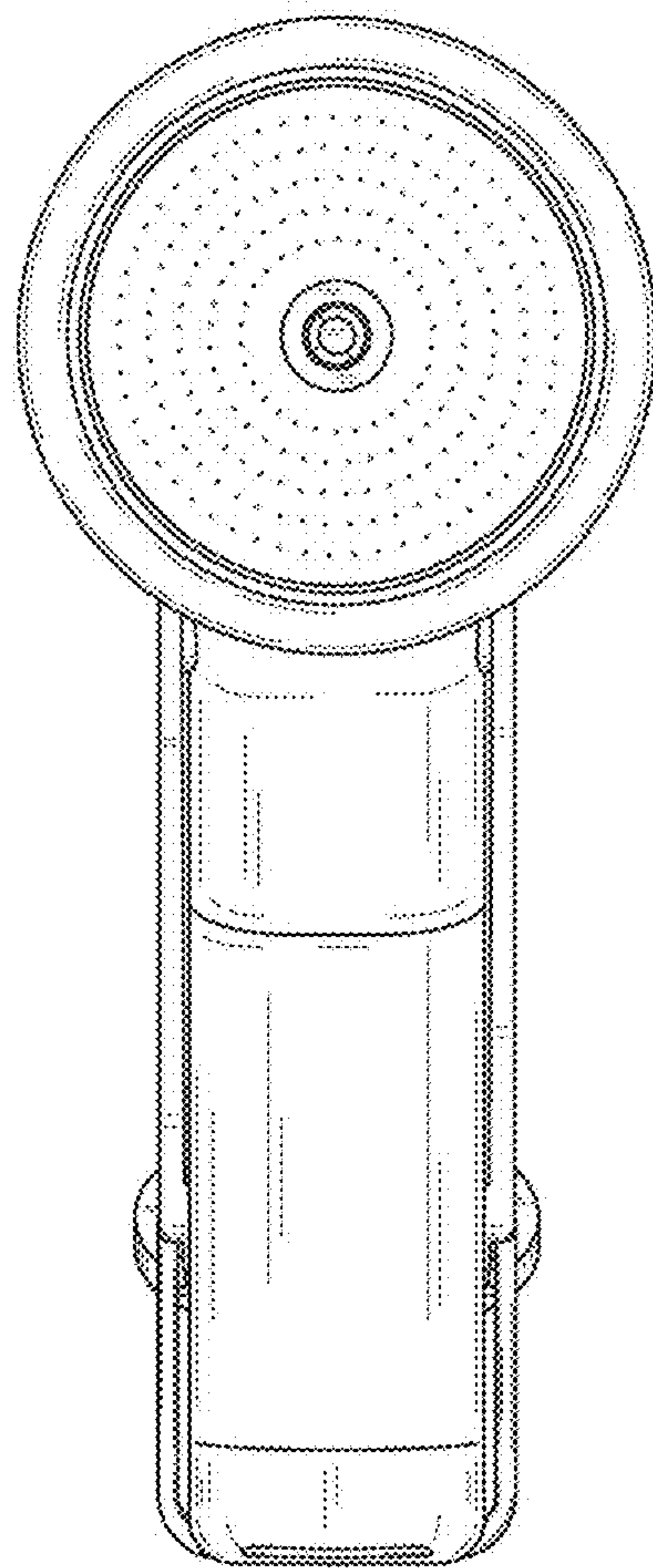


FIG. 3

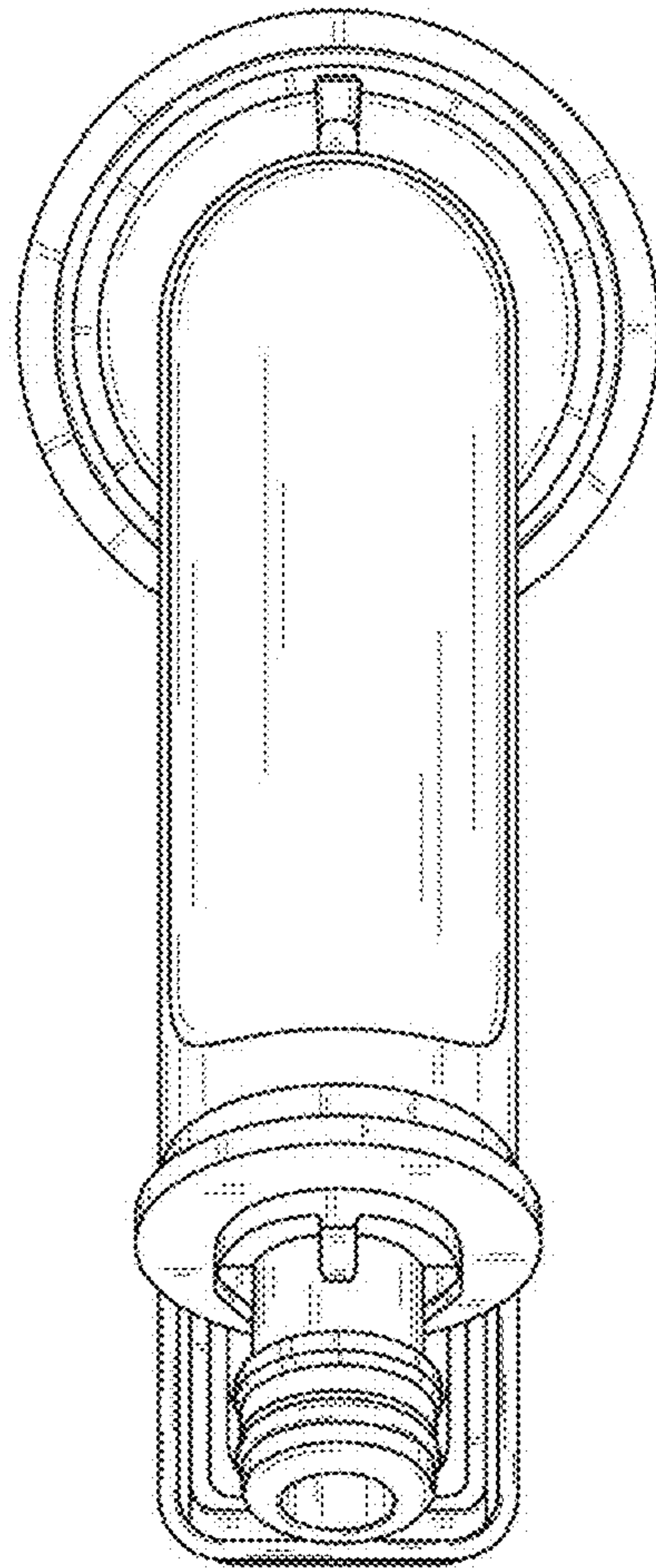


FIG. 4

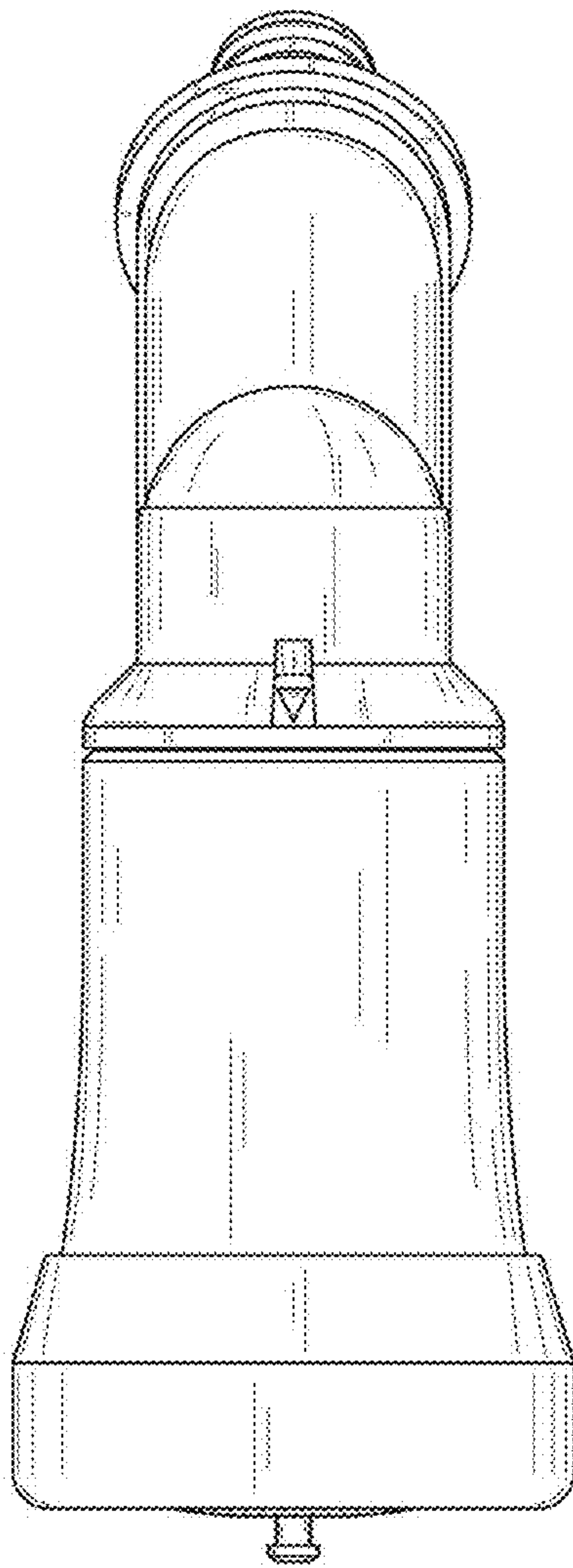


FIG. 5

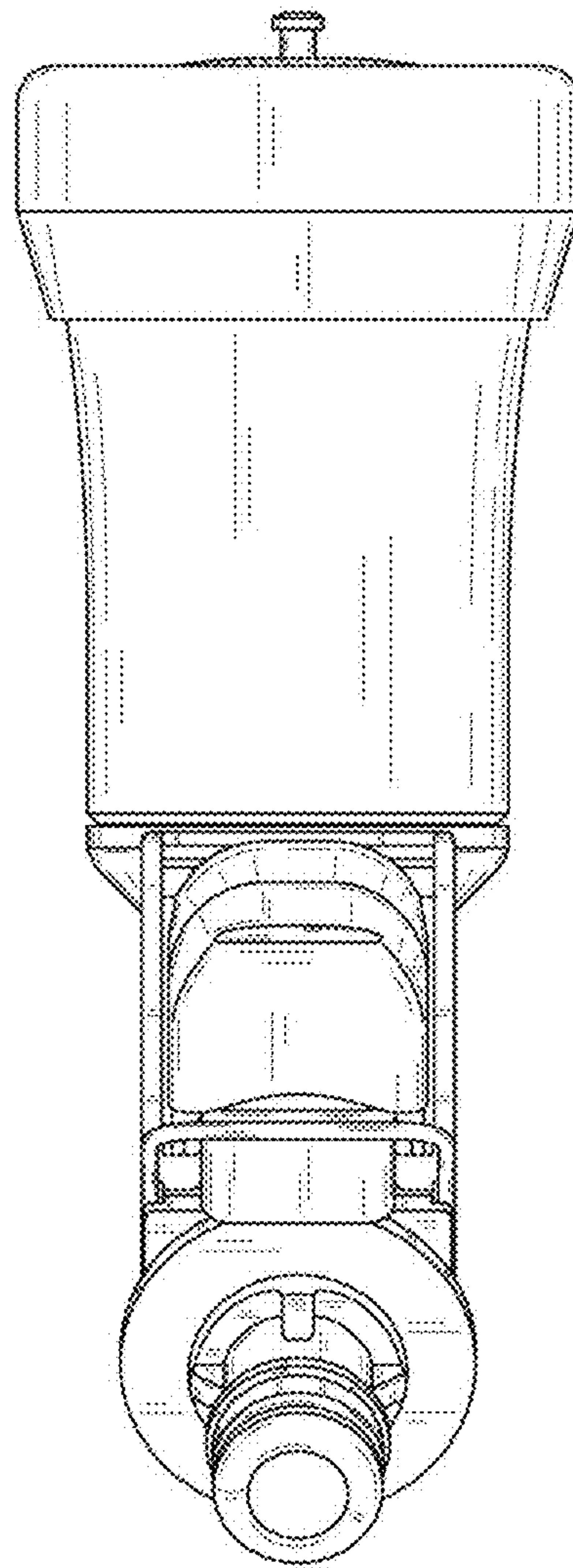


FIG. 6

