

US00D832977S

(12) **United States Design Patent** (10) **Patent No.:** **US D832,977 S**
Li (45) **Date of Patent:** **** Nov. 6, 2018**

(54) **LAWN SPRINKLER**
(71) Applicant: **Jianhui Li**, Guangdong (CN)
(72) Inventor: **Jianhui Li**, Guangdong (CN)
(**) Term: **15 Years**
(21) Appl. No.: **29/613,265**
(22) Filed: **Aug. 9, 2017**
(51) **LOC (11) Cl.** **23-01**
(52) **U.S. Cl.**
USPC **D23/215**
(58) **Field of Classification Search**
USPC D23/213-221; 239/556, 566, 548, 273,
239/276, 242, 211
CPC .. B05B 1/18; B05B 1/14; B05B 1/185; B05B
3/0486; B05B 15/062; B05B 3/044; B05B
3/00; E03C 1/06; A01G 29/00
See application file for complete search history.

5,224,652 A * 7/1993 Kessler B05B 3/0486
239/211
D414,245 S * 9/1999 Watson D23/215
D438,283 S * 2/2001 Hsu D23/214
D461,523 S * 8/2002 Chen B05B 17/08
D23/214
6,592,053 B2 * 7/2003 Ericksen B05B 17/08
239/16
D506,527 S * 6/2005 Chang B05B 3/00
D23/217
D507,818 S * 7/2005 Wu D23/214
D527,441 S * 8/2006 La Mesa D23/214

* cited by examiner

Primary Examiner — Robin V Webster

(57) **CLAIM**

The ornamental design for lawn sprinkler, as shown and described.

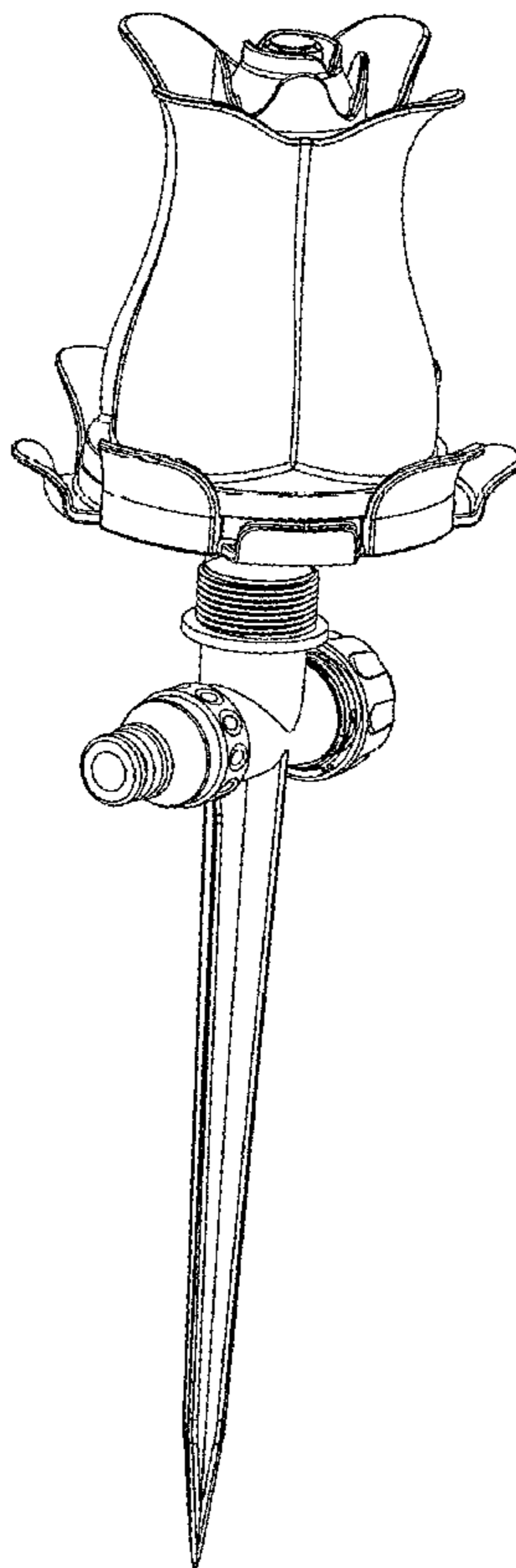
DESCRIPTION

FIG. 1 is a front elevational view of lawn sprinkler showing my new design;
FIG. 2 is a rear elevational view thereof;
FIG. 3 is a left side elevational view thereof;
FIG. 4 is a right side elevational view thereof;
FIG. 5 is a top plan view thereof;
FIG. 6 is a bottom plan view thereof; and,
FIG. 7 is a perspective view thereof.

1 Claim, 7 Drawing Sheets

(56) **References Cited**
U.S. PATENT DOCUMENTS

D100,087 S * 6/1936 Butt D23/215
D153,334 S * 4/1949 Beaver D23/215
D315,394 S * 3/1991 Ferrari D23/215
5,050,801 A * 9/1991 Ferrari B05B 3/00
239/211



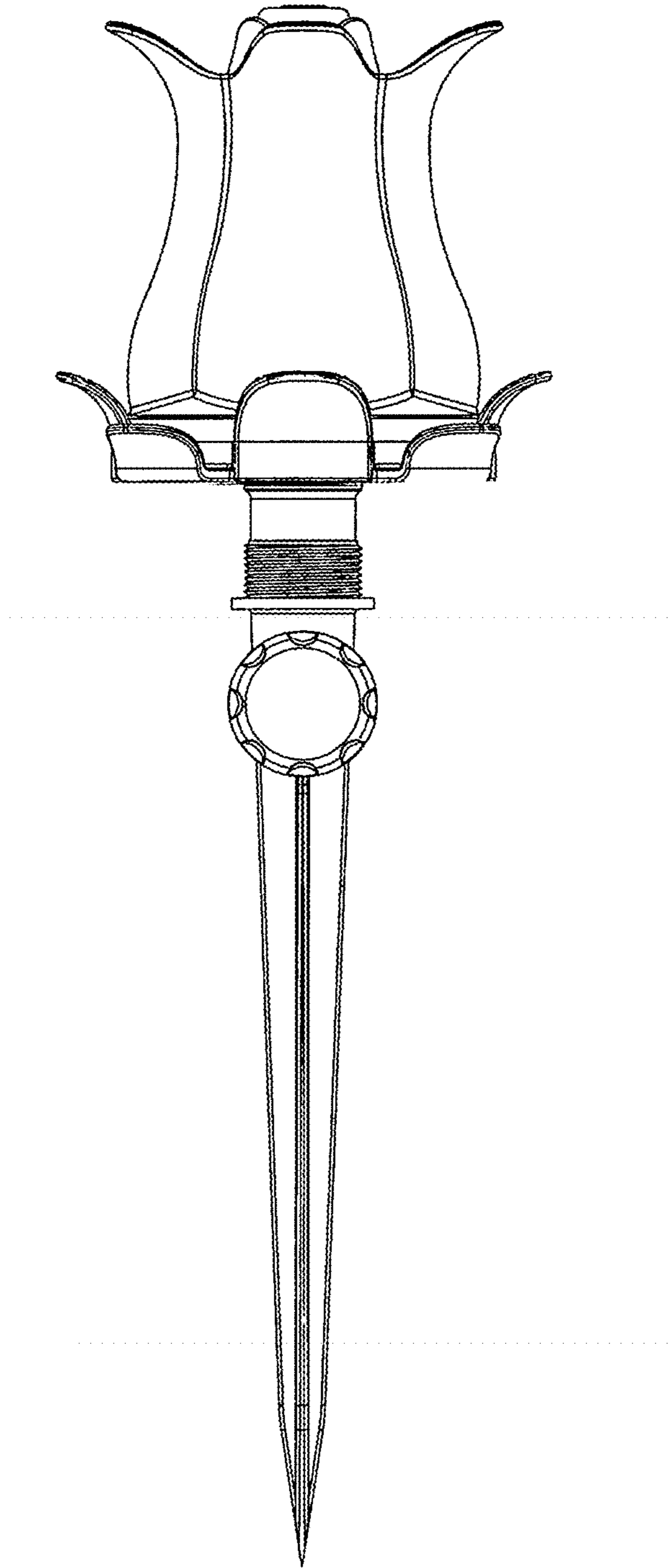


FIG.1

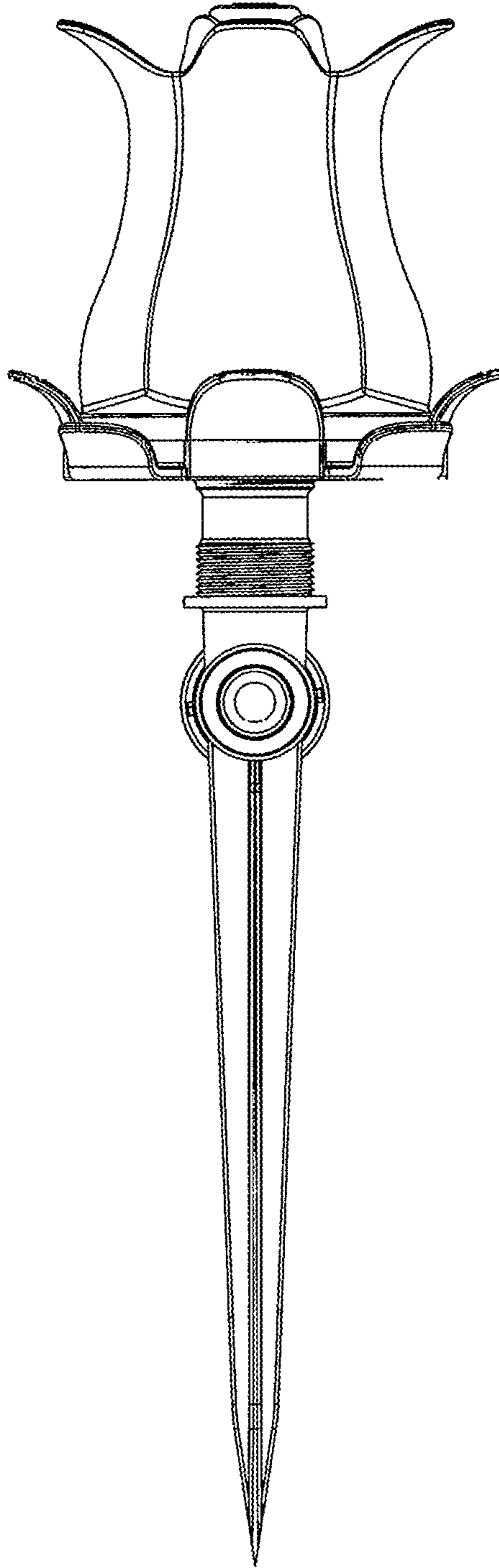


FIG.2

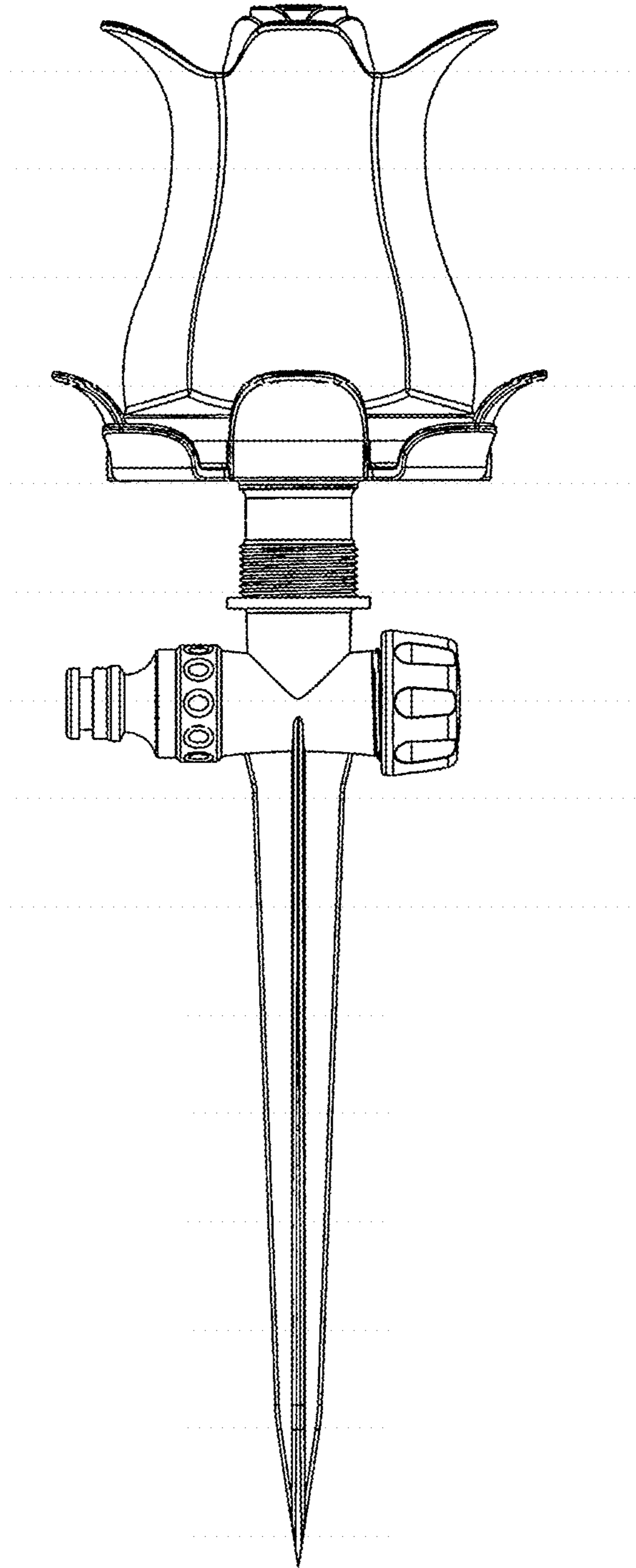


FIG.3

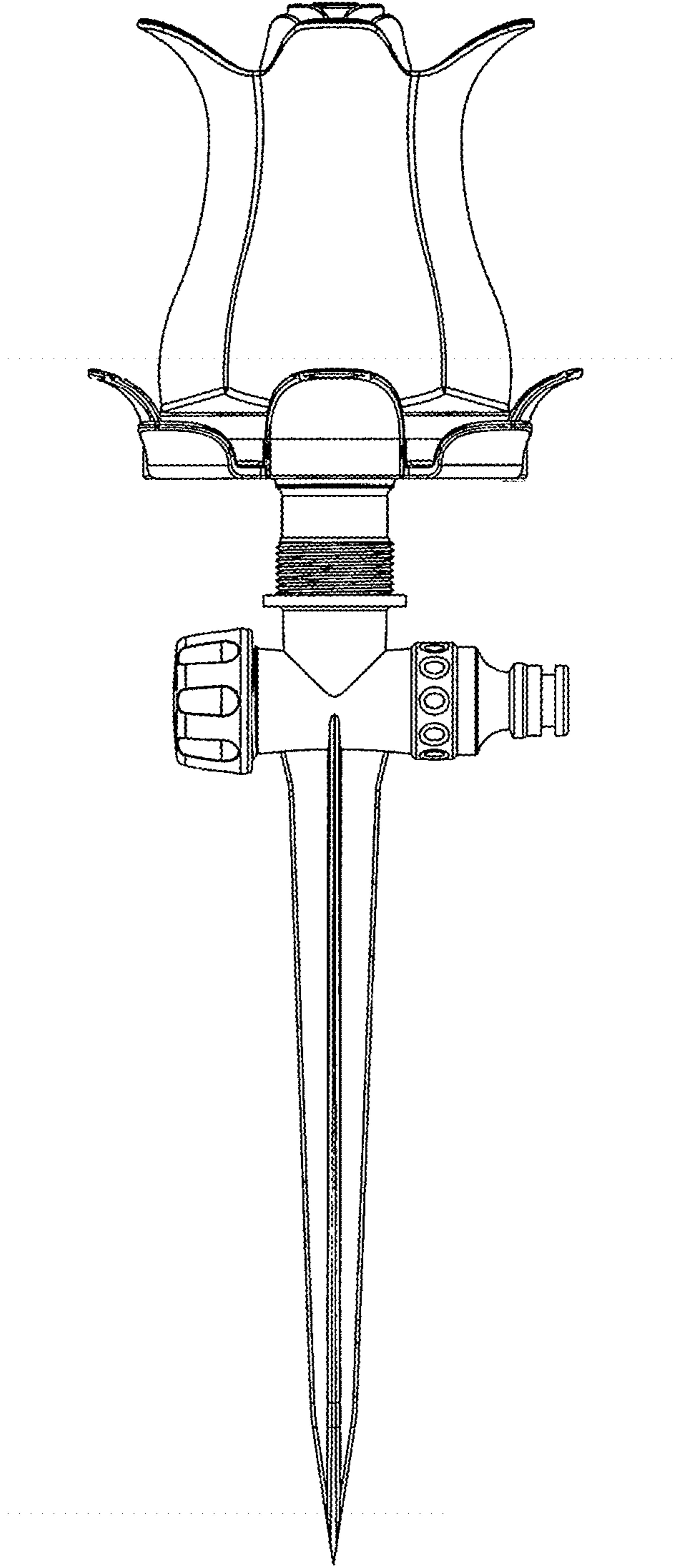


FIG.4

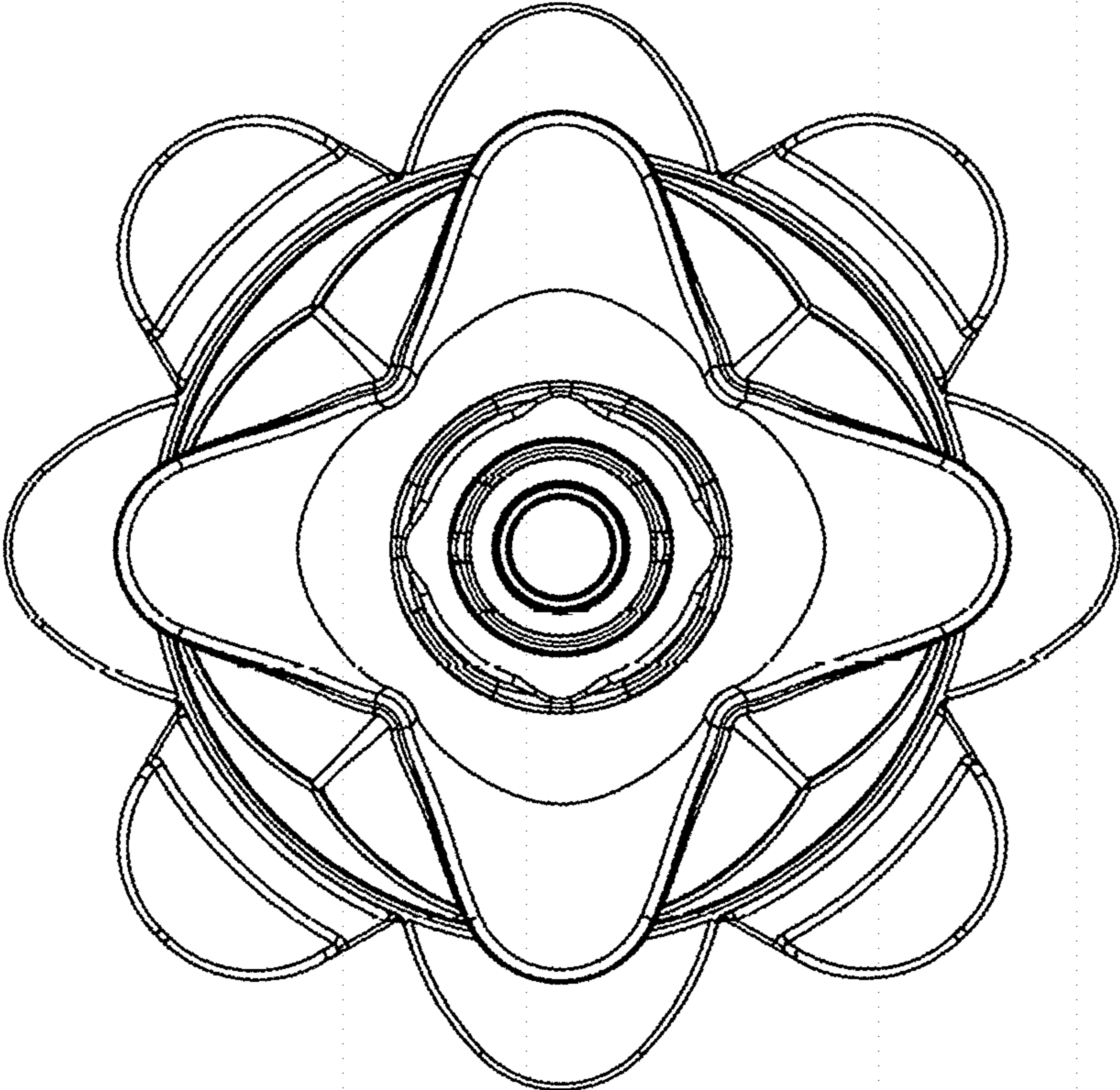


FIG.5

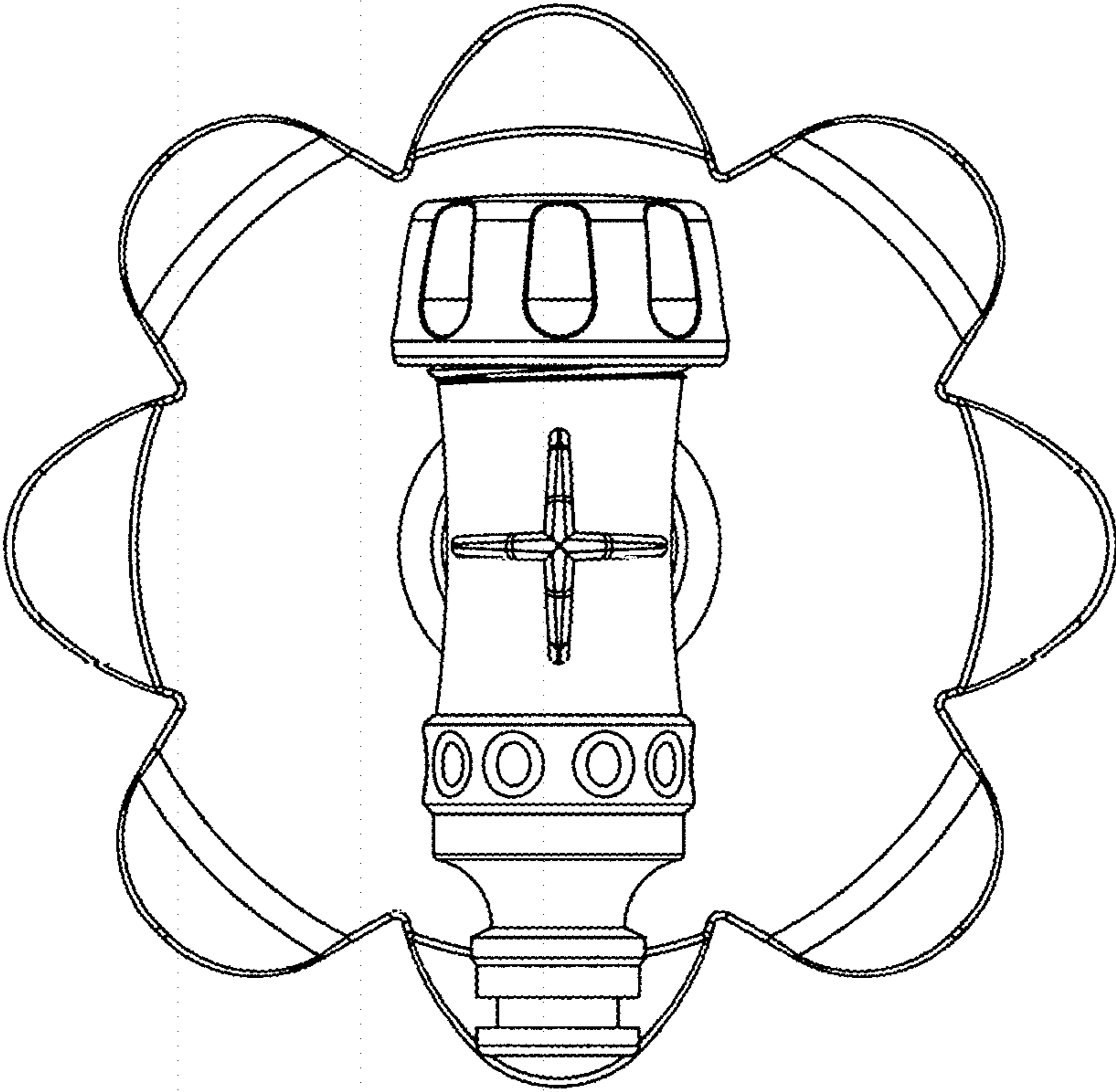


FIG.6

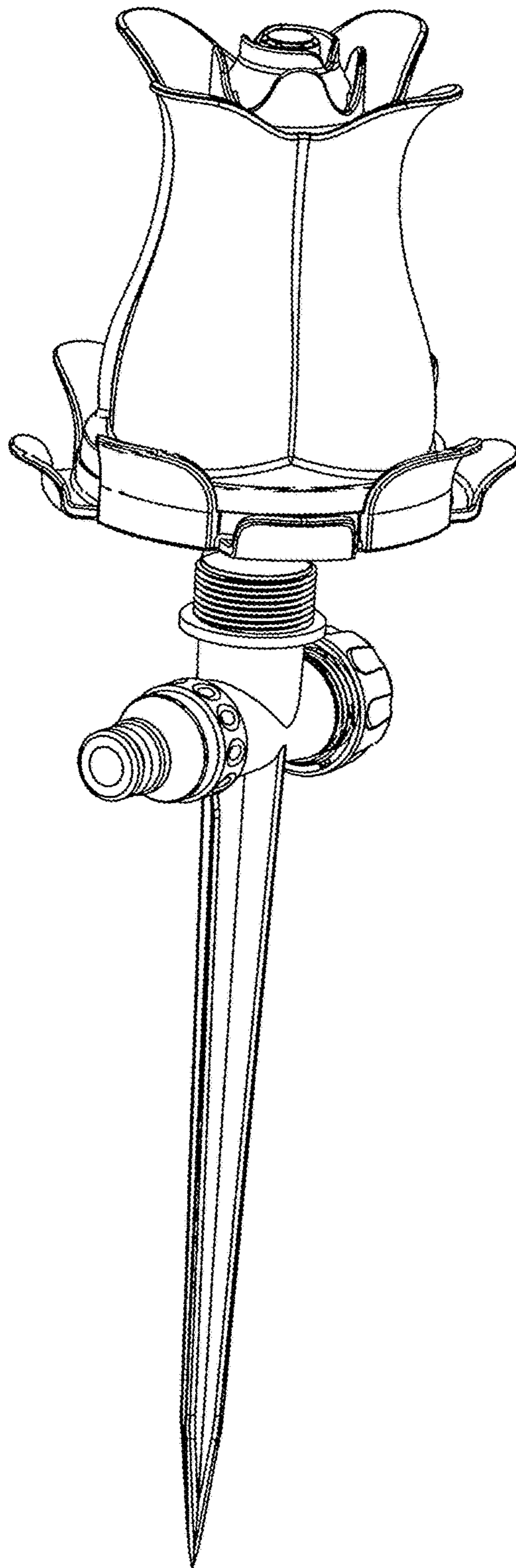


FIG. 7