



US00D832976S

(12) **United States Design Patent**  
**Tabata et al.**

(10) **Patent No.:** **US D832,976 S**  
(45) **Date of Patent:** **\*\* Nov. 6, 2018**

- (54) **SPRAYING NOZZLE**
- (71) Applicant: **Panasonic Intellectual Property Management Co., Ltd.**, Osaka-shi, Osaka (JP)
- (72) Inventors: **Daisuke Tabata**, Osaka (JP); **Akira Isomi**, Osaka (JP); **Yuki Ueda**, Osaka (JP); **Naoyuki Ohkubo**, Osaka (JP)
- (73) Assignee: **PANASONIC INTELLECTUAL PROPERTY MANAGEMENT CO., LTD.**, Osaka (JP)

D390,630 S *	2/1998	McKown	.....	D23/213
6,338,444 B1 *	1/2002	Swan	.....	B05B 7/0425
				239/428.5
D458,342 S *	6/2002	Johnson	.....	B01F 5/061
				D23/213
D542,376 S *	5/2007	Blette	.....	D23/213
7,377,404 B2 *	5/2008	Cherfane	.....	B01F 5/061
				222/135
D575,847 S *	8/2008	Huang	.....	B05B 15/65
				D23/213
7,648,087 B2 *	1/2010	Horn	.....	B05B 1/02
				239/594

(Continued)

- (\*\*) Term: **15 Years**
- (21) Appl. No.: **29/612,443**
- (22) Filed: **Aug. 1, 2017**

FOREIGN PATENT DOCUMENTS

JP D940585 12/1995  
*Primary Examiner* — Robin V Webster  
 (74) *Attorney, Agent, or Firm* — Brinks Gilson & Lione

(30) **Foreign Application Priority Data**

Feb. 7, 2017 (JP) ..... 2017-002101

- (51) **LOC (11) Cl.** ..... **23-01**
- (52) **U.S. Cl.**  
USPC ..... **D23/213**
- (58) **Field of Classification Search**  
USPC ..... D23/213; 239/443, 433; D15/138  
CPC .... B05B 1/02; B05B 1/04; B05B 1/18; B05B 1/08; B05B 1/005; B05B 1/042; E03C 1/086  
See application file for complete search history.

(57) **CLAIM**

We claim the ornamental design for a spraying nozzle, as shown and described.

**DESCRIPTION**

FIG. 1 is a front perspective view of a spraying nozzle of the present invention;  
 FIG. 2 is a rear perspective view thereof;  
 FIG. 3 is a front view thereof;  
 FIG. 4 is a rear view thereof;  
 FIG. 5 is a first side view thereof;  
 FIG. 6 is a second side view thereof;  
 FIG. 7 is a top view thereof; and,  
 FIG. 8 is a bottom view thereof.

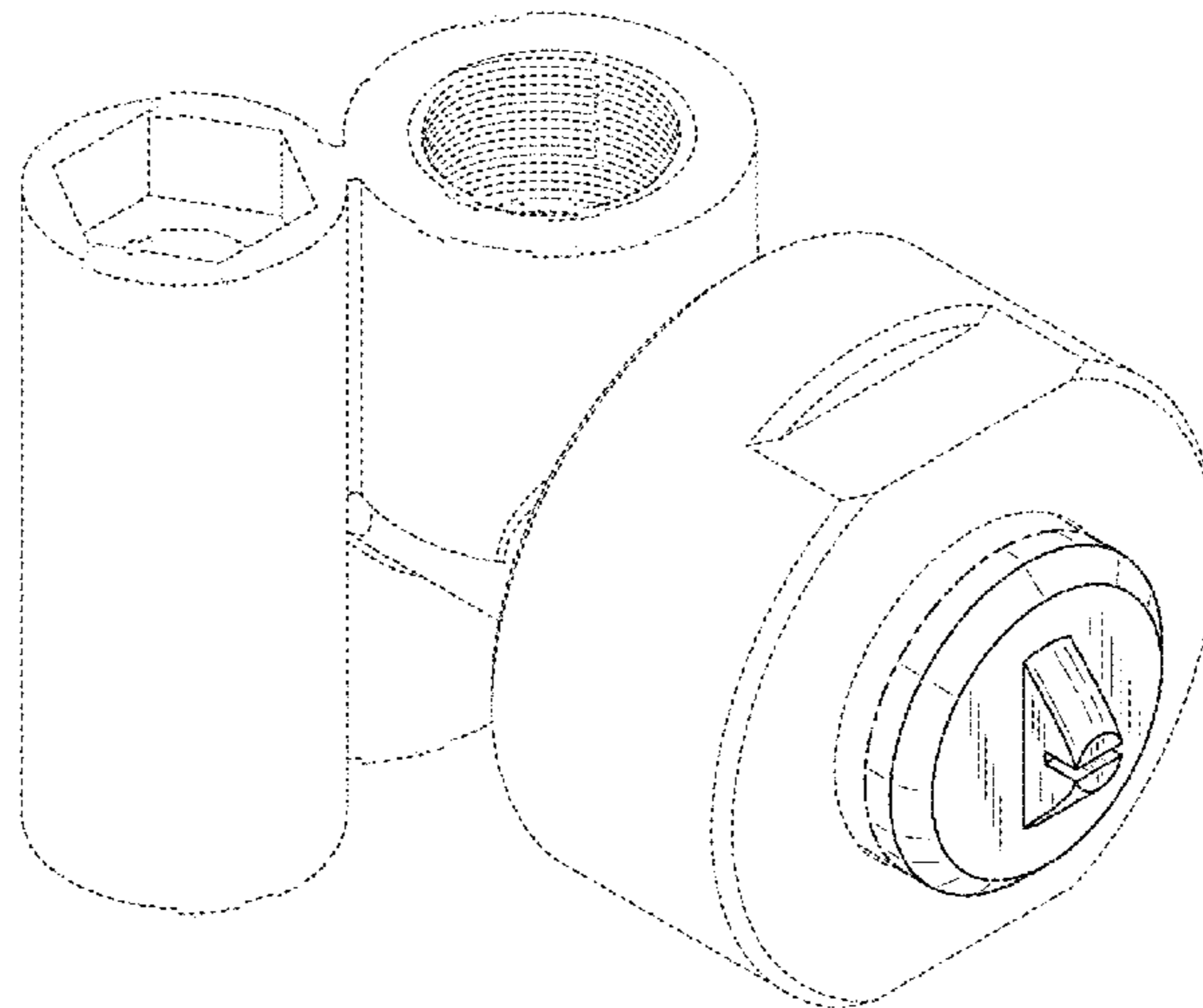
The broken lines depict portions of the spraying nozzle in which the design is embodied that form no part of the claimed design. Additionally, the dot-dash lines denote the boundary of the claim and form no part of the claimed design.

(56) **References Cited**

U.S. PATENT DOCUMENTS

2,722,458 A *	11/1955	Wahlin	.....	B05B 1/042
				239/597
2,743,138 A *	4/1956	Wahlin	.....	B05B 15/16
				239/597
D244,462 S *	5/1977	Mathis	.....	D23/213
D290,165 S *	6/1987	Jacuzzi	.....	B05B 7/0425
				D23/213

**1 Claim, 8 Drawing Sheets**



(56)

**References Cited**

U.S. PATENT DOCUMENTS

7,980,490 B2 \* 7/2011 Waddelow ..... B05B 15/65  
239/394  
8,079,534 B2 \* 12/2011 Fecht ..... B05B 1/042  
239/590.5  
D708,293 S \* 7/2014 Cicenas ..... B05B 1/042  
D23/213  
8,828,495 B2 \* 9/2014 Ogonowski ..... B05B 1/042  
118/300  
RE45,395 E \* 3/2015 Fulkerson ..... B05B 1/042  
D23/213

\* cited by examiner

FIG. 1

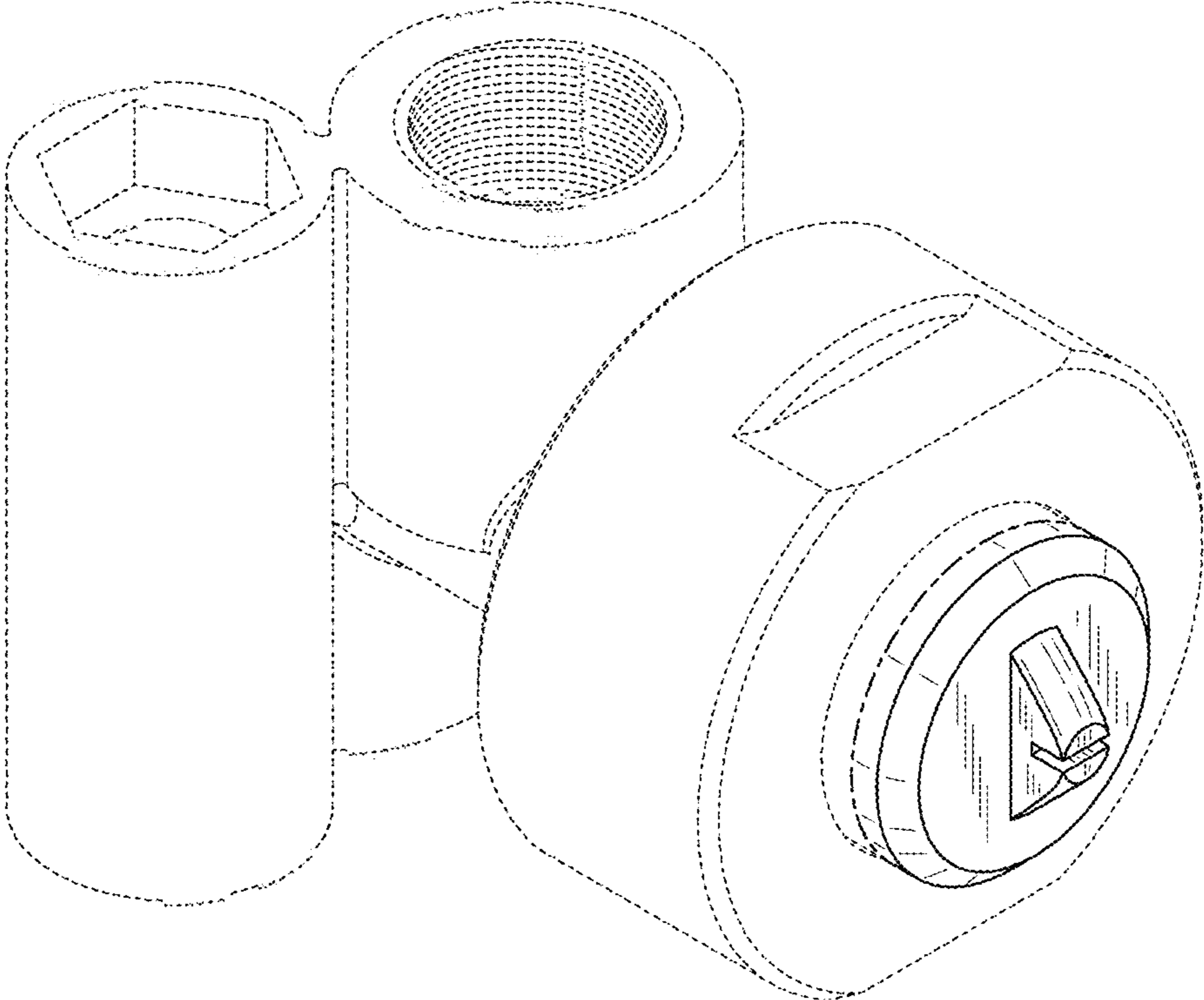


FIG. 2

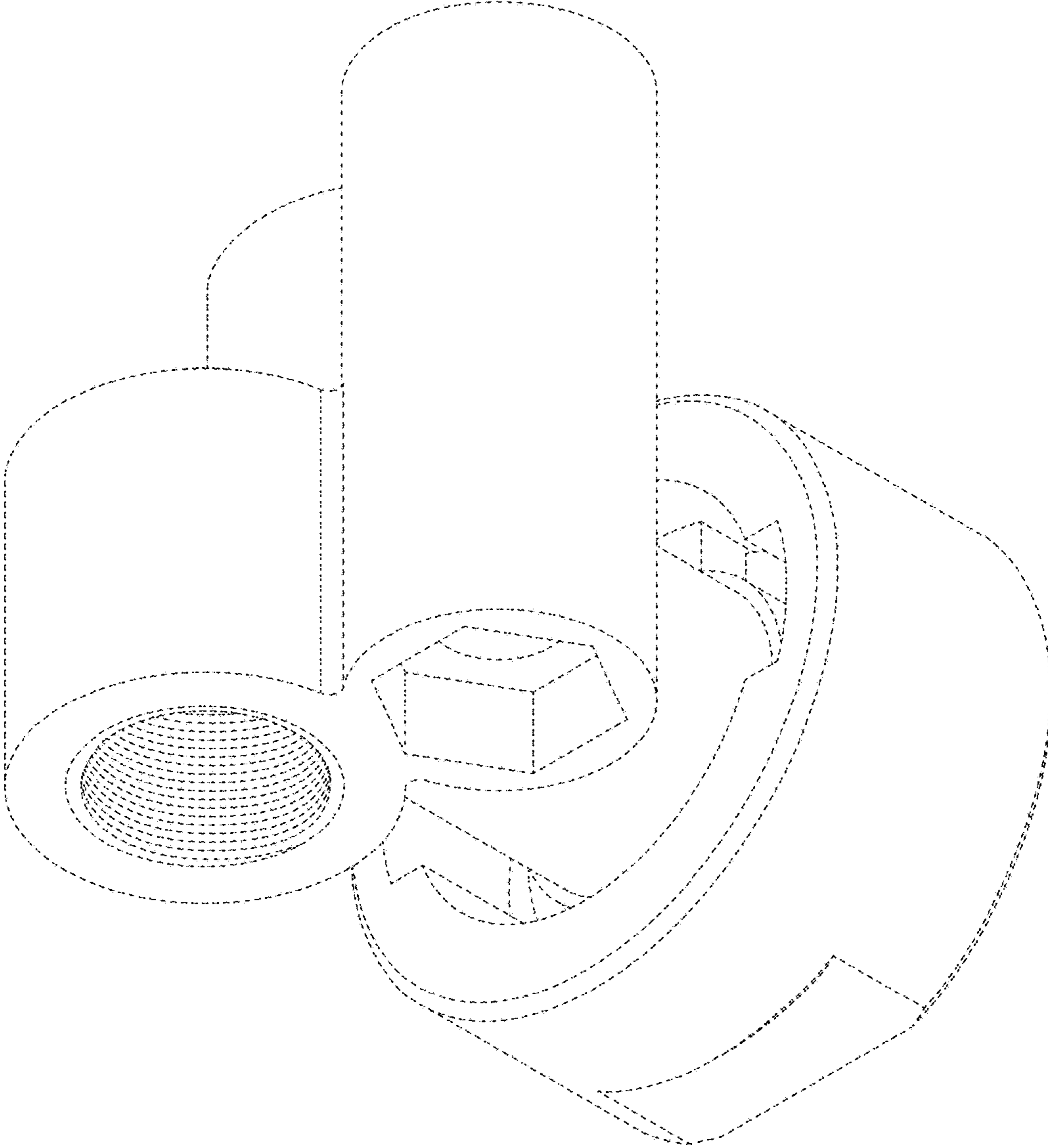


FIG. 3

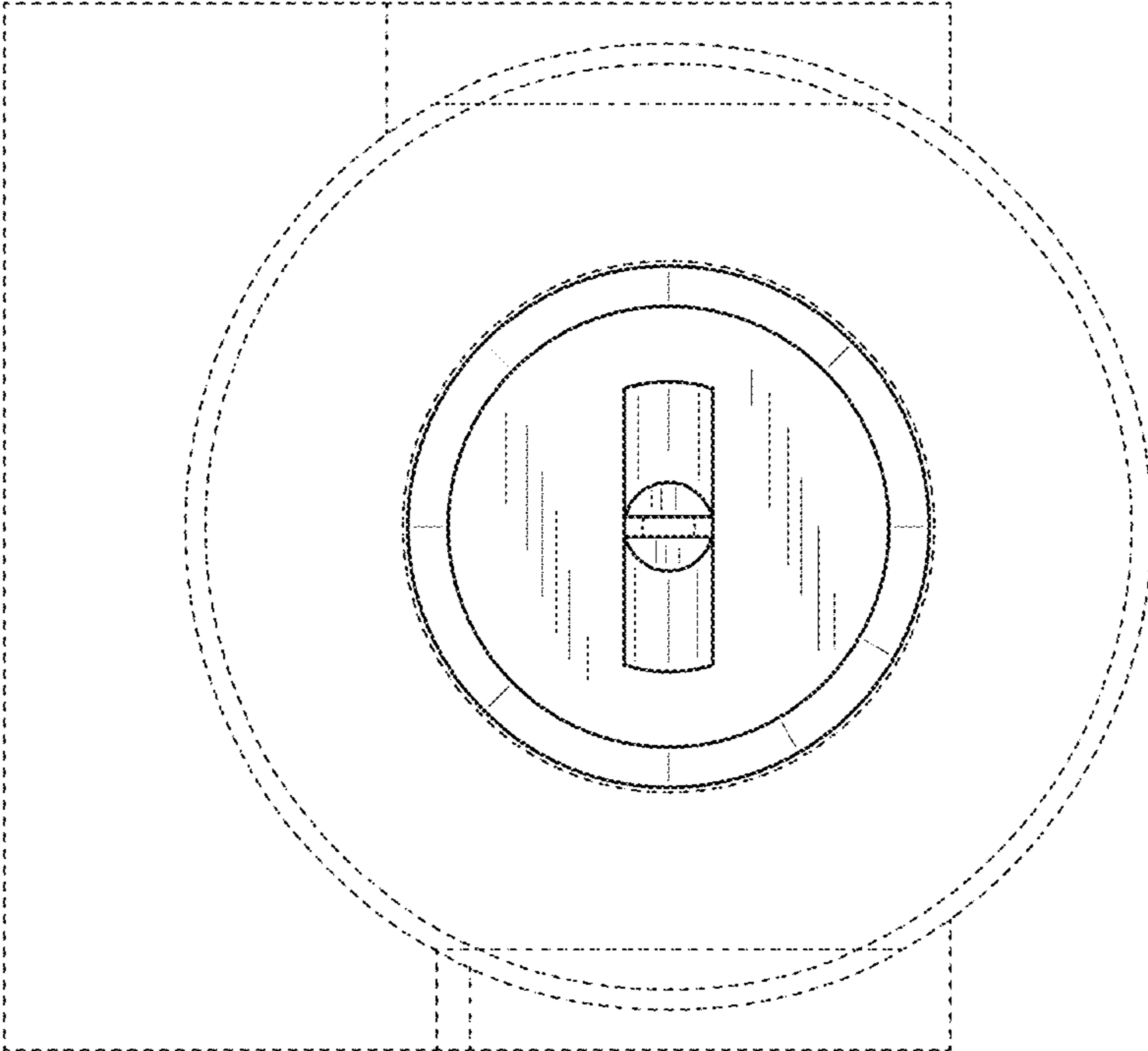


FIG. 4

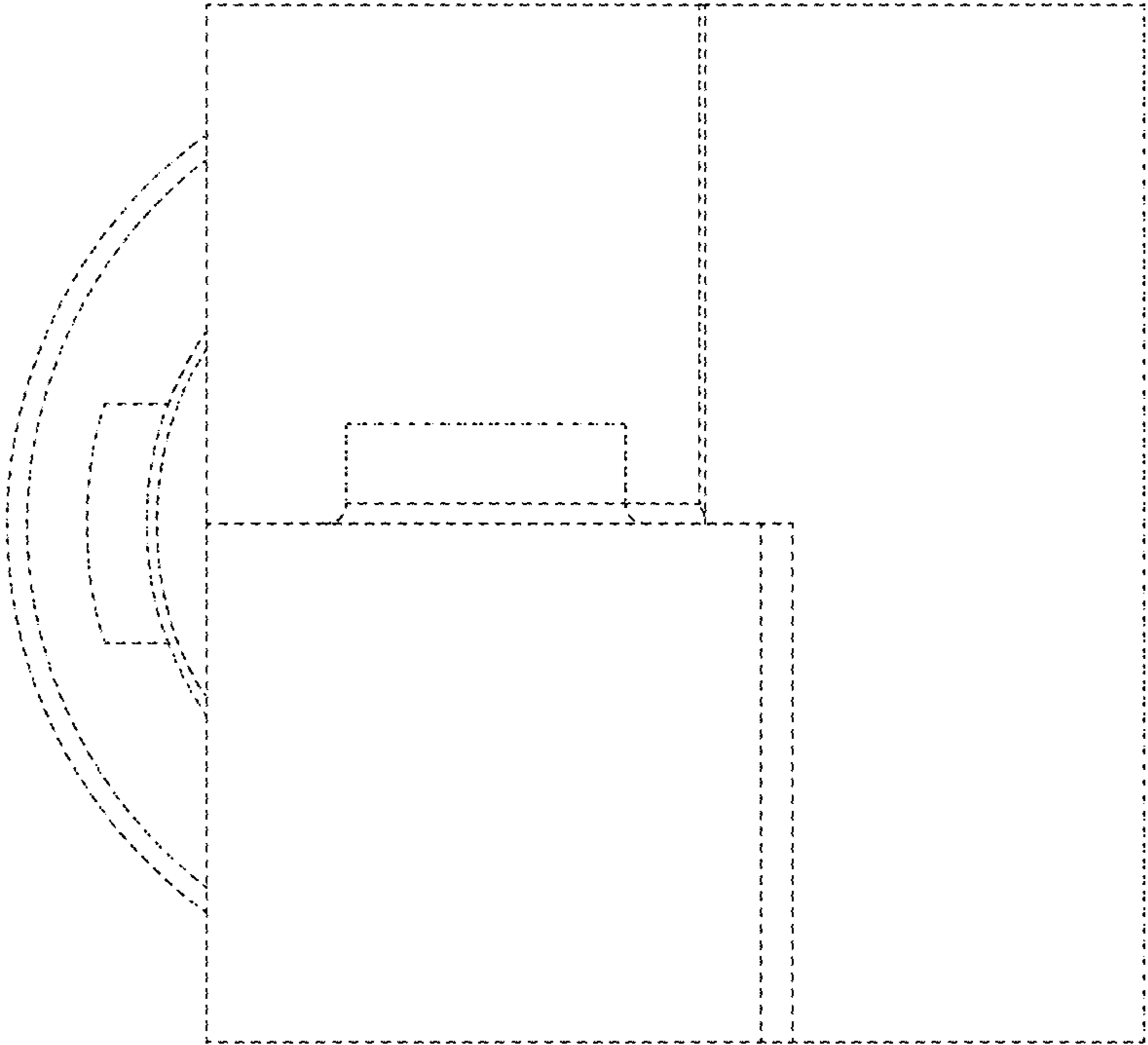


FIG. 5

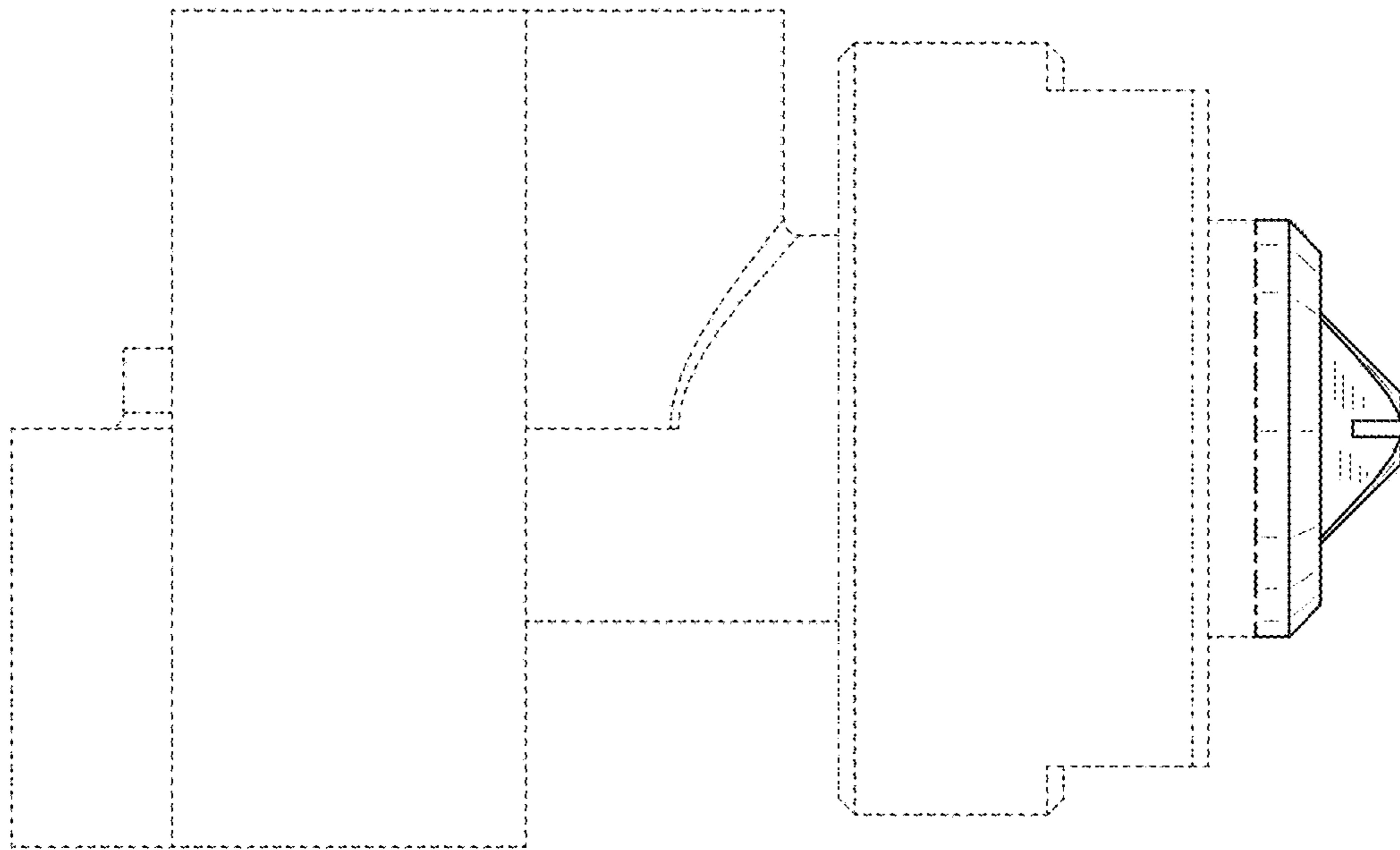


FIG. 6

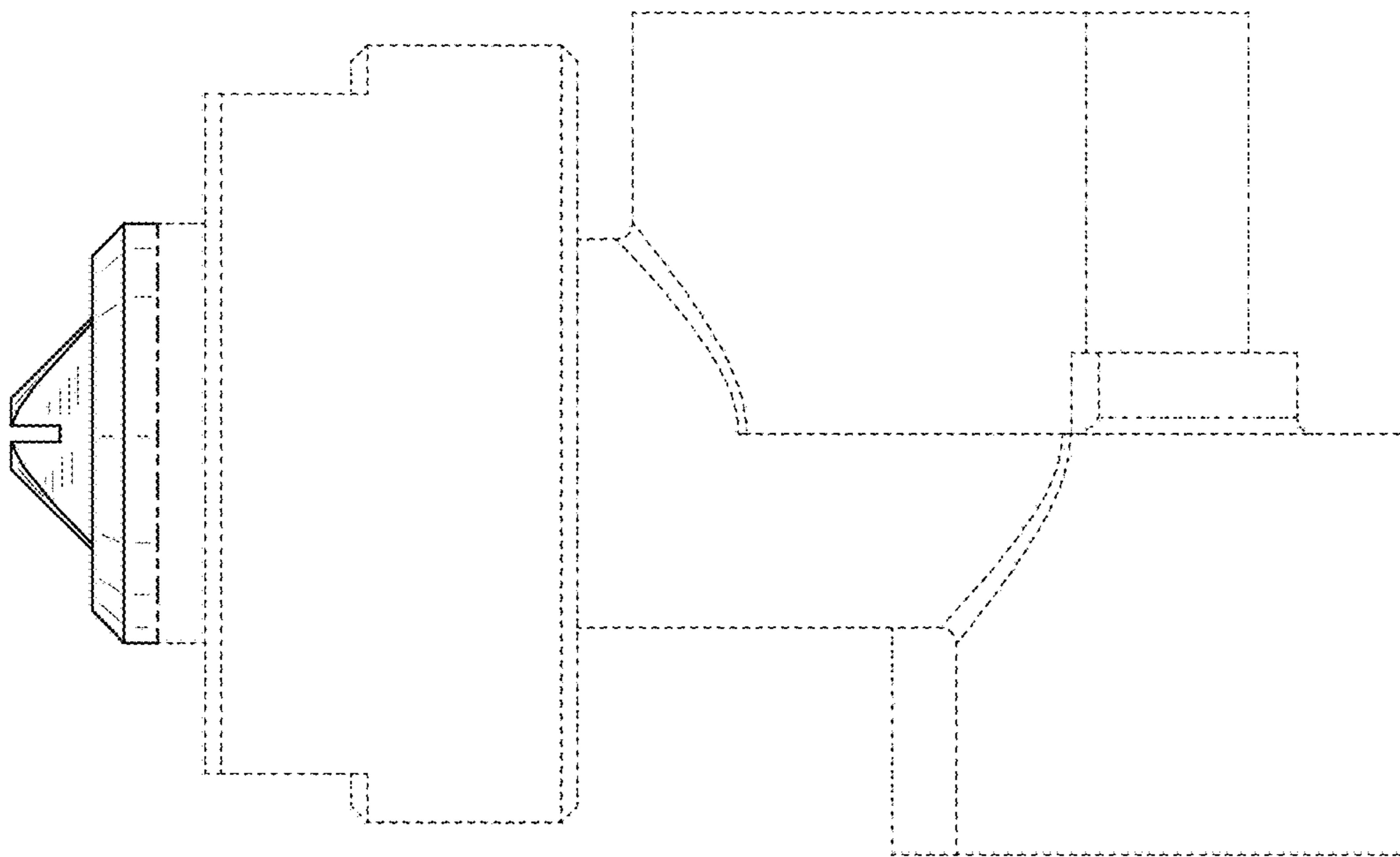




FIG. 7

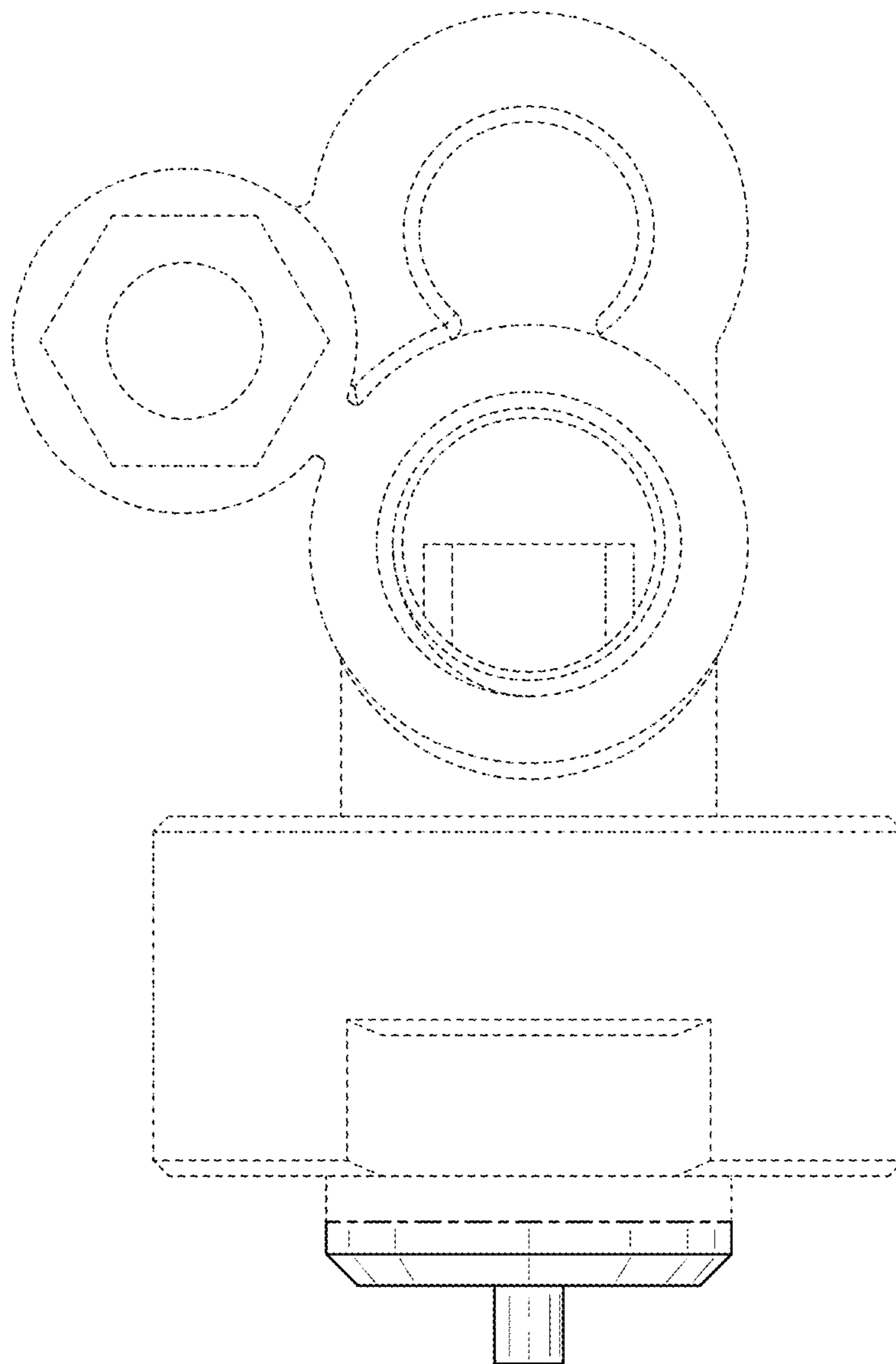


FIG. 8

