



US00D832973S

(12) **United States Design Patent** (10) **Patent No.:** **US D832,973 S**
Keeble (45) **Date of Patent:** **** Nov. 6, 2018**

(54) **BAIT CONTAINER**

D442,668 S * 5/2001 Tobias D22/136
D462,737 S * 9/2002 Lipari D22/136
D470,910 S 2/2003 Abel

(Continued)

(71) Applicant: **Flambeau, Inc.**, Baraboo, WI (US)

(72) Inventor: **Drew Evan Keeble**, Bay Village, OH (US)

FOREIGN PATENT DOCUMENTS

(73) Assignee: **FLAMBEAU, INC.**, Baraboo, WI (US)

CZ 4084 2/1969
CZ 32507 12/2004

(**) Term: **15 Years**

(Continued)

(21) Appl. No.: **29/593,390**

OTHER PUBLICATIONS

(22) Filed: **Feb. 8, 2017**

Ponoko product page of a spiral desk lamp from Ponoko website [online] [retrieved on Nov. 12, 2012], 1 page. Retrieved from <<http://blog.ponoko.com/2008/05/15/shining-lights-of-nottinghamtrent/>>.

(Continued)

Related U.S. Application Data

(62) Division of application No. 29/532,218, filed on Jul. 2, 2015, now Pat. No. Des. 782,606.

(51) **LOC (11) Cl.** **22-05**

(52) **U.S. Cl.**
USPC **D22/136**

(58) **Field of Classification Search**
USPC D21/473, 474, 803; D22/121, 125, 126, D22/136, 137, 146; D32/29, 37, 53
CPC A01K 97/00; A01K 97/02; A01K 97/04; B63B 17/00; A01G 31/02; B65D 25/00; B65G 45/04

See application file for complete search history.

Primary Examiner — Susan Bennett Hattan

Assistant Examiner — Suzanne E Tisdell

(74) *Attorney, Agent, or Firm* — Quarles & Brady LLP

(57) **CLAIM**

The ornamental design for a bait container, as shown and described.

DESCRIPTION

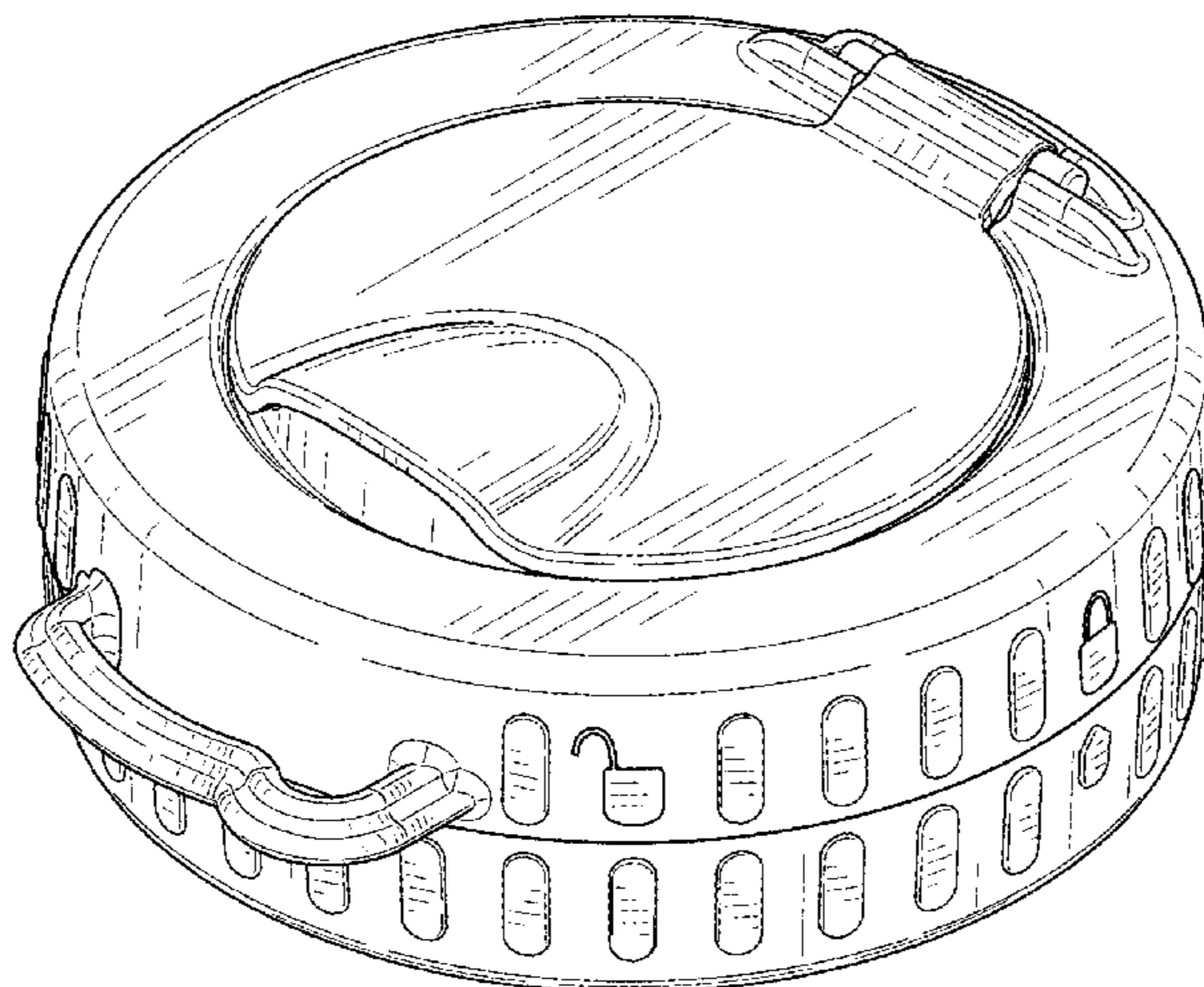
FIG. 1 is an isometric view of a top, front, and left side of a bait container in a closed configuration; FIG. 2 is a front elevational view of the bait container of FIG. 1; FIG. 3 is a rear elevational view of the bait container of FIG. 1; FIG. 4 is a left side elevational view of the bait container of FIG. 1; FIG. 5 is a right side elevational view of the bait container of FIG. 1; FIG. 6 is a top plan view of the bait container of FIG. 1; and, FIG. 7 is a bottom plan view of the bait container of FIG. 1.

1 Claim, 5 Drawing Sheets

(56) **References Cited**

U.S. PATENT DOCUMENTS

2,614,358 A * 10/1952 Adams A01K 97/02 43/43.1
4,903,429 A * 2/1990 Tetenes A01K 97/02 43/44.99
D389,553 S * 1/1998 Muto D22/136
5,826,374 A * 10/1998 Baca A01G 31/02 47/60
D426,686 S * 6/2000 Clausen D32/29
D434,890 S 12/2000 Cooper



(56)

References Cited

U.S. PATENT DOCUMENTS

6,520,365 B2 2/2003 Schneider
 6,616,004 B1 9/2003 Erickson et al.
 6,711,849 B1* 3/2004 Moretti A01K 97/02
 43/44.99
 6,736,285 B2 5/2004 Stewart-Stand
 6,892,897 B2 5/2005 Stewart
 6,913,733 B2 7/2005 Hardy et al.
 6,990,765 B1 1/2006 Beech
 D590,950 S 4/2009 Driver et al.
 D622,466 S 8/2010 Sabounjian
 D646,934 S 10/2011 Peters et al.
 13,070,006 12/2011 Austin et al.
 13,091,741 1/2012 Pritchard
 13,641,004 2/2014 Miklas
 D710,650 S 8/2014 Blum et al.
 D722,212 S * 2/2015 Kim D32/29
 D730,505 S 5/2015 Cao et al.
 D743,131 S * 11/2015 Jeon D32/29
 D748,880 S * 2/2016 Lentine D32/53
 D753,357 S * 4/2016 Song D32/29
 2002/0020104 A1* 2/2002 Kolar A01K 97/05
 43/55
 2004/0093787 A1* 5/2004 Kutzner A01K 97/02
 43/44.99
 2005/0284866 A1 12/2005 Oakner et al.
 2009/0223114 A1* 9/2009 Obrien A01M 23/02
 43/100

2014/0053448 A1* 2/2014 Kapolnek A01K 97/02
 43/4.5
 2015/0319946 A1* 11/2015 Center A01G 9/02
 47/62 R
 2016/0212983 A1* 7/2016 Boudreau A01K 97/02

FOREIGN PATENT DOCUMENTS

DE 498008201-0003 4/1999
 EM 001759135-0001 10/2010
 FR 973755 10/1997
 FR 021393 3/2005
 GB 2007180 10/1990
 GB 3005222 10/2002
 GB 4012206 9/2009
 GB 4023303 4/2012

OTHER PUBLICATIONS

IKEA product page of a laundry basket from IKEA.com website [online] [retrieved on Nov. 12, 2012], 1 page. Retrieved from <<http://www.ikea.com/us/en/catalog/products/80099224/>>.
 Product page of a mosquito coil pesticide from aliexpress.com website [online] [retrieved on Dec. 18, 2012], 6 pages. Retrieved from <URL: aliexpress.com/item/Free-Shipping-Wholesales-50PCS-LOT-NO-Fire-Electricity-safety-Essential-oil-Baby-children-Repellent-Paper-Mosquito/567352609.html>.
 Product page of a pop-up collapsible cup from basegear.com website [online] [retrieved on Jan. 15, 2015], 2 pages. Retrieved from <URL: <http://basegear.com/flutterware-pop-up-cup.html>>.

* cited by examiner

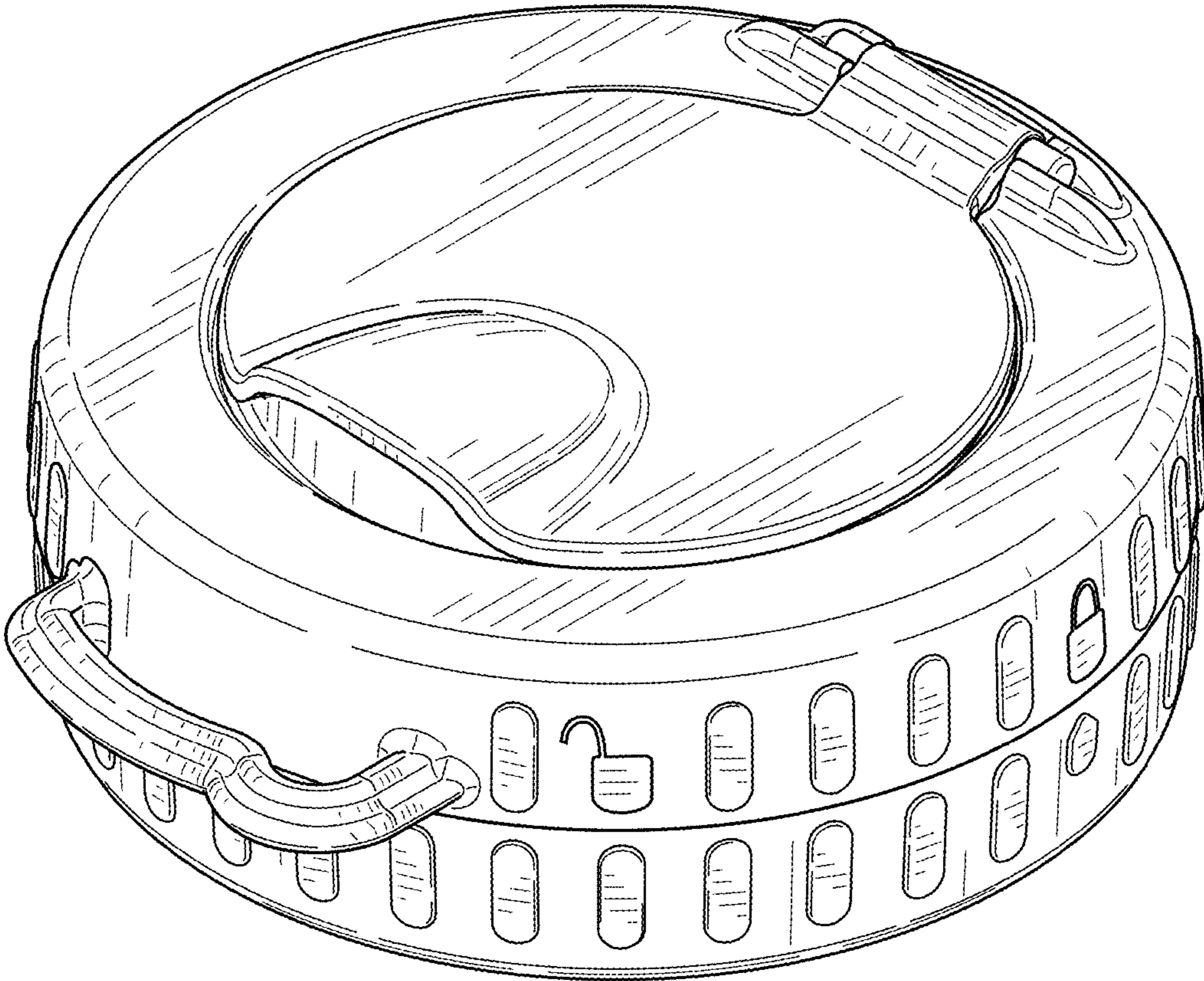


FIG. 1

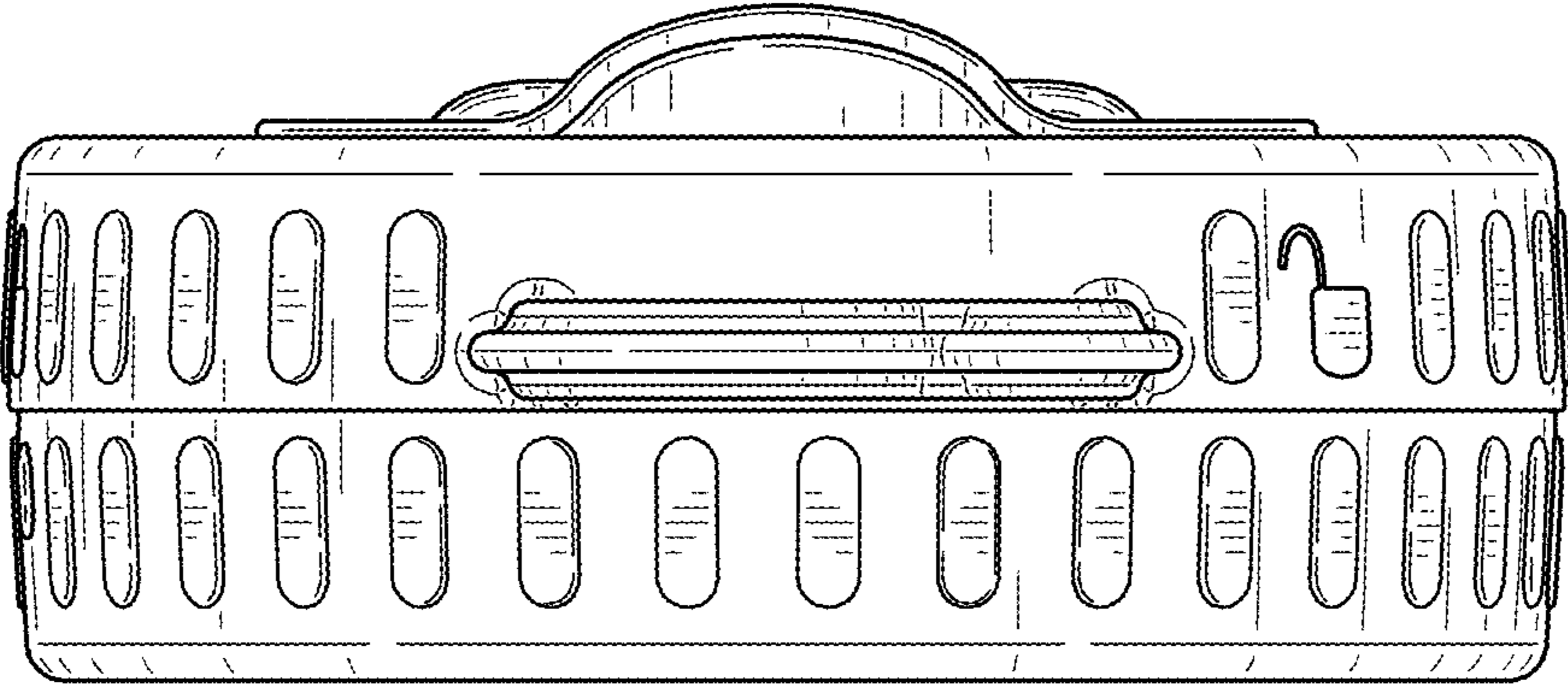


FIG. 2

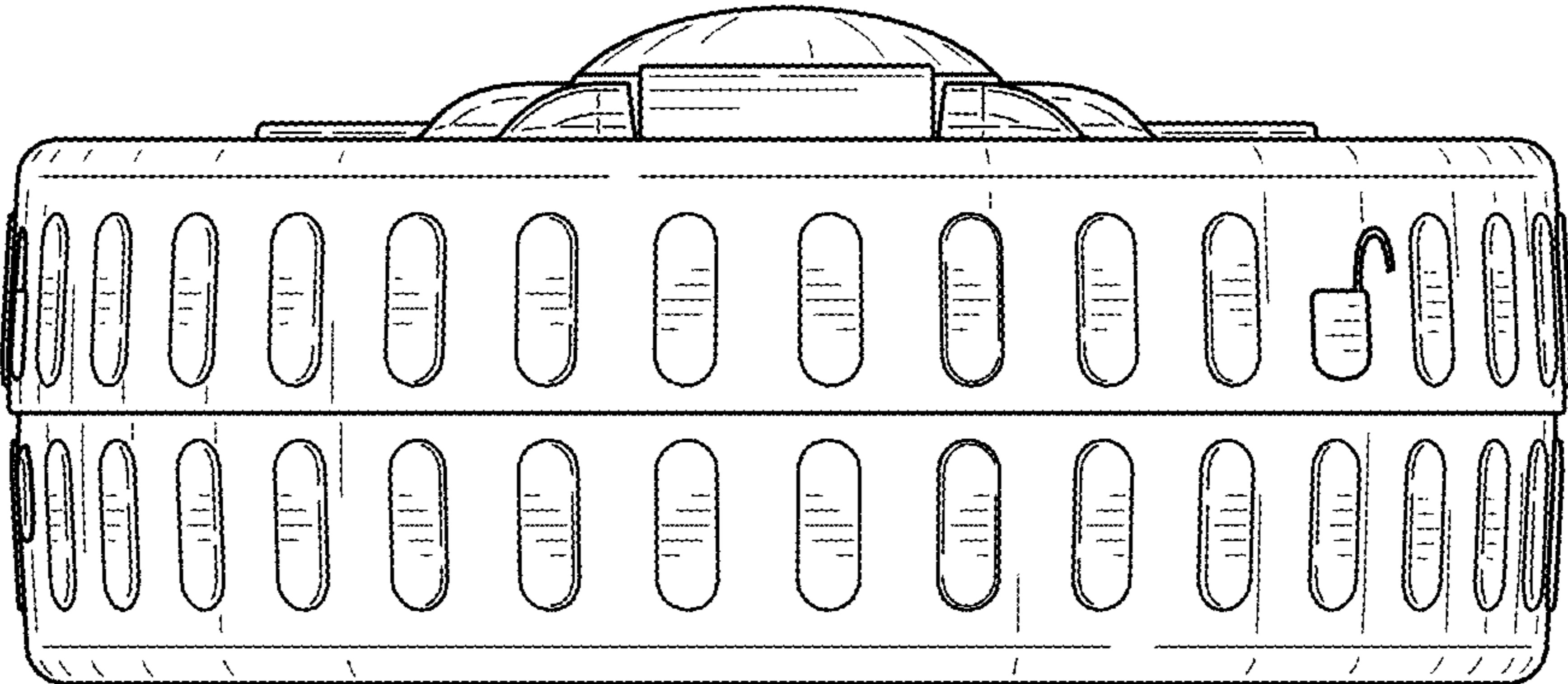


FIG. 3

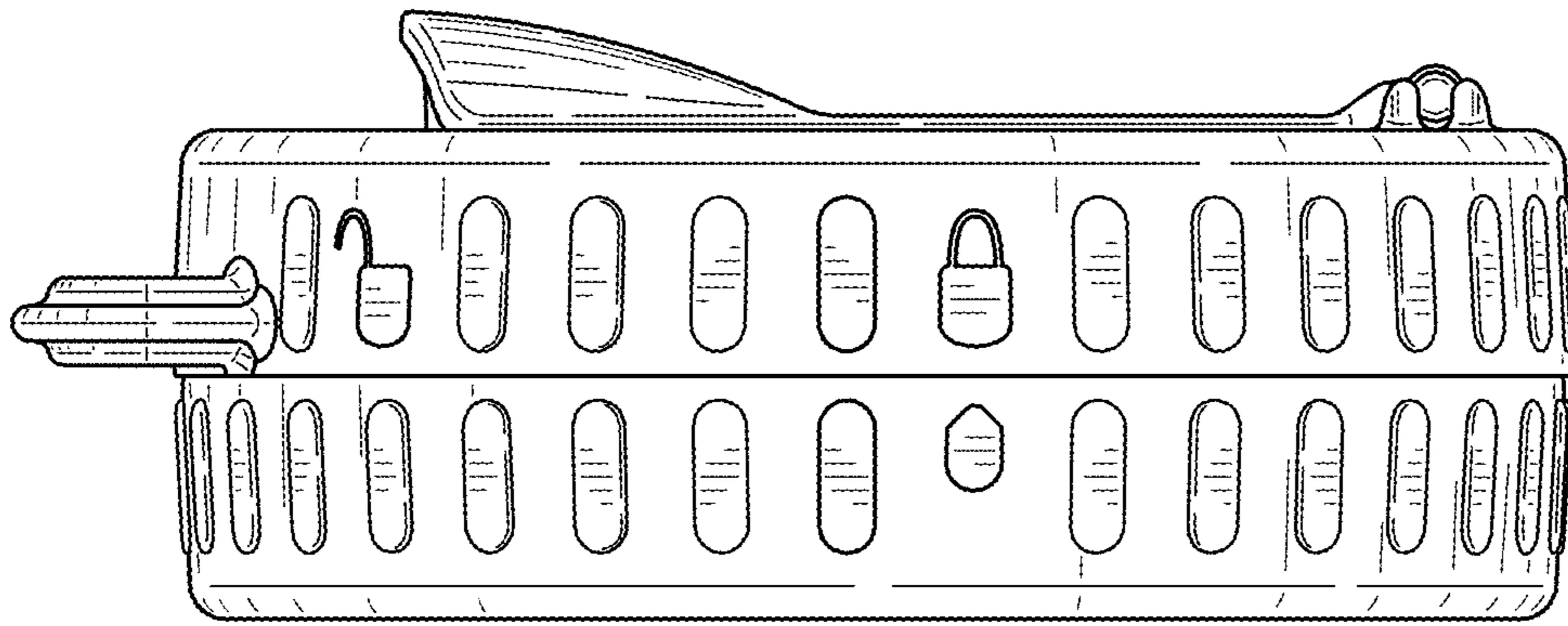


FIG. 4

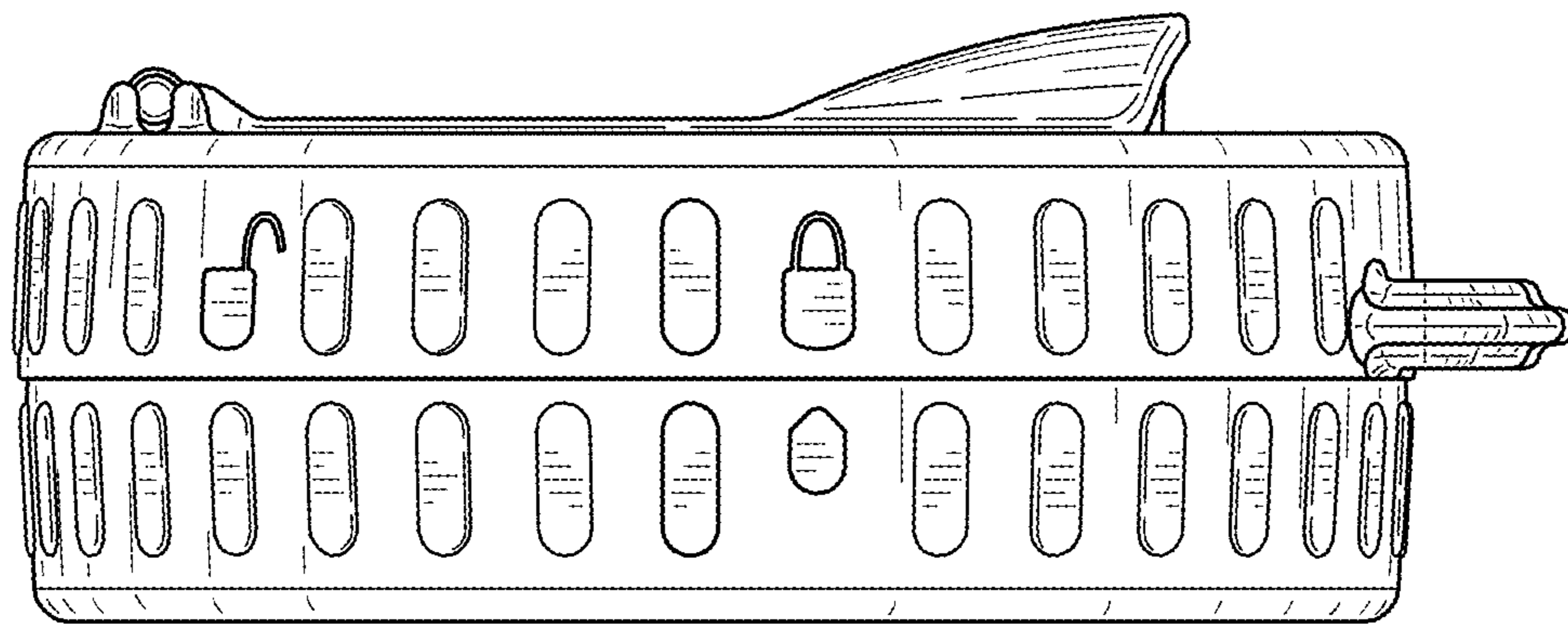


FIG. 5

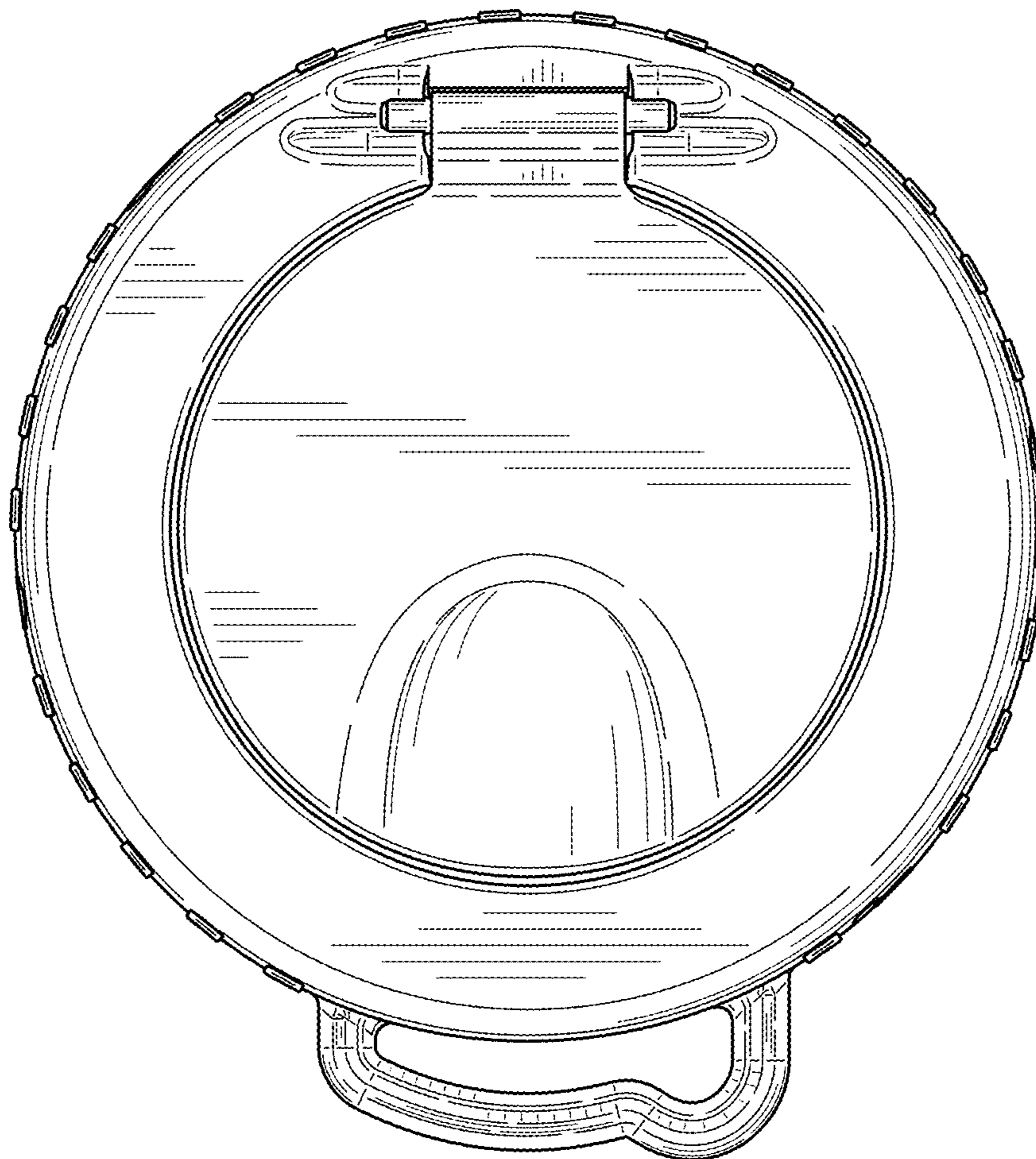


FIG. 6

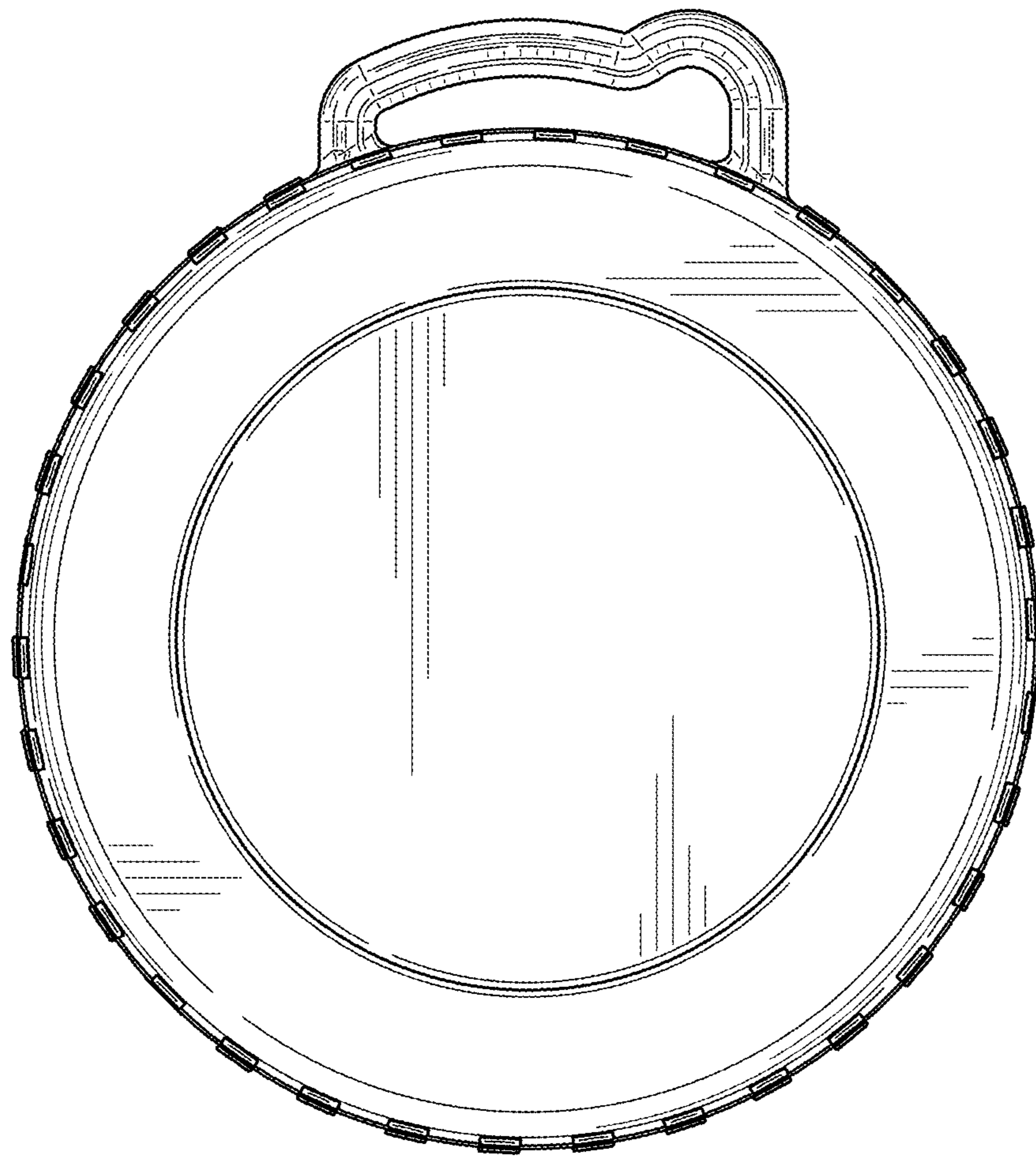


FIG. 7