



US00D832972S

(12) **United States Design Patent** (10) **Patent No.:** **US D832,972 S**
Lesniak (45) **Date of Patent:** **** Nov. 6, 2018**

(54) **FLYING INSECT TRAP**

(71) Applicant: **Enterprises of CC, Inc.**, Media, PA (US)

(72) Inventor: **Frank M. Lesniak**, Media, PA (US)

(73) Assignee: **Enterprises of CC, Inc.**, Media, PA (US)

(**) Term: **15 Years**

(21) Appl. No.: **29/634,511**

(22) Filed: **Jan. 23, 2018**

Related U.S. Application Data

(62) Division of application No. 29/564,398, filed on May 12, 2016, now Pat. No. Des. 812,710.

(51) **LOC (11) Cl.** **22-06**

(52) **U.S. Cl.**
USPC **D22/122**

(58) **Field of Classification Search**
USPC D22/122; D6/534; D7/509, 591; D9/453
CPC A01M 1/2016
See application file for complete search history.

(56) **References Cited**

U.S. PATENT DOCUMENTS

3,784,052	A *	1/1974	Edwards	B65D 1/265 206/520
D478,230	S *	8/2003	Dretzka	D6/534
D527,069	S *	8/2006	Hiscox	D22/122
D673,641	S *	1/2013	Robinson	D22/122
D673,642	S *	1/2013	Robinson	D22/122
D772,013	S *	11/2016	O'Connor	D7/509
D773,844	S *	12/2016	Dzukan	D6/534
D812,710	S *	3/2018	Lesniak	D22/122
2006/0042154	A1 *	3/2006	Rich	A01M 1/02 43/107

(Continued)

Primary Examiner — Karen S Acker

Assistant Examiner — Steven B Reinholdt, Jr.

(74) *Attorney, Agent, or Firm* — Rogowski Law LLC

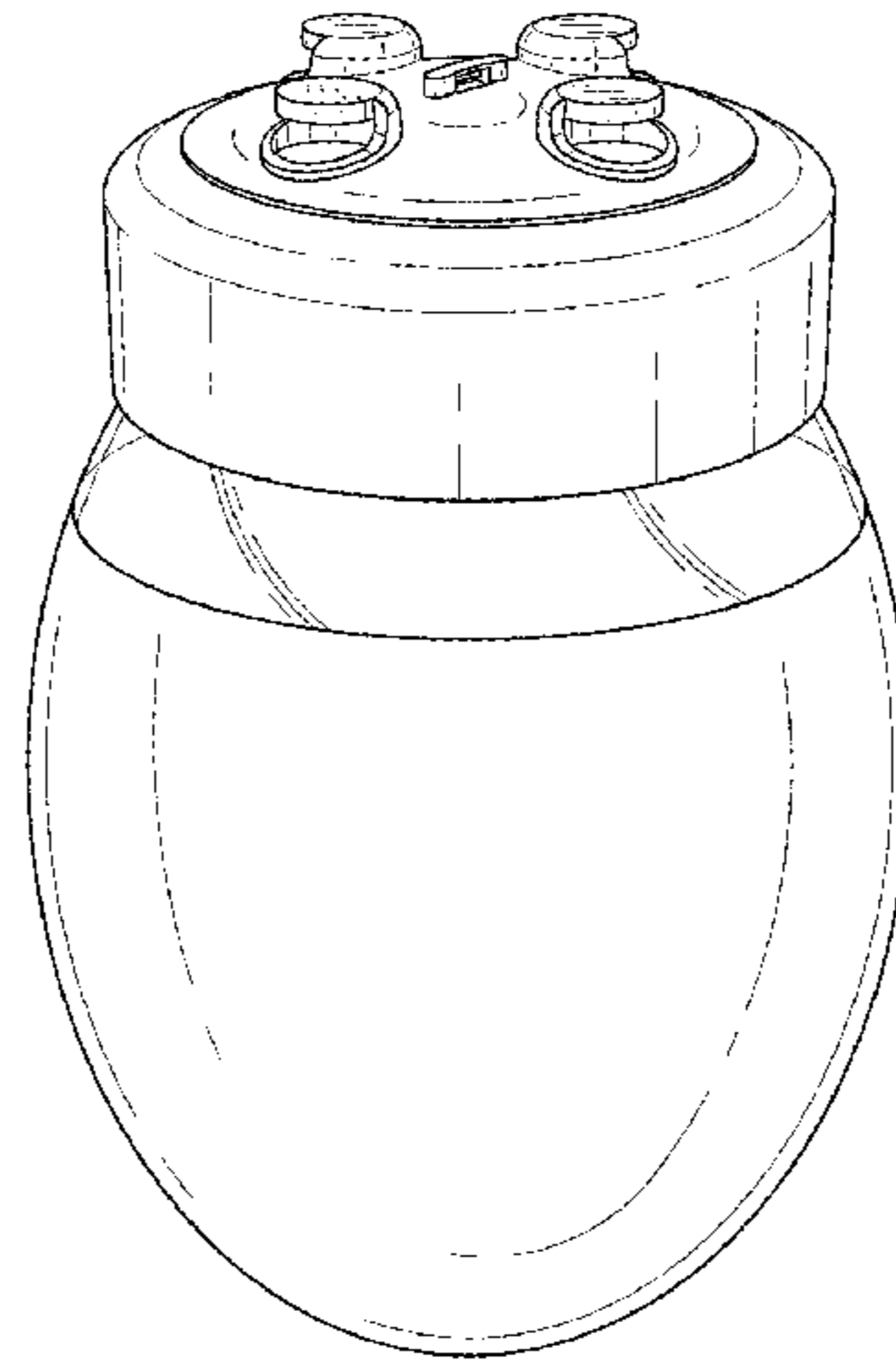
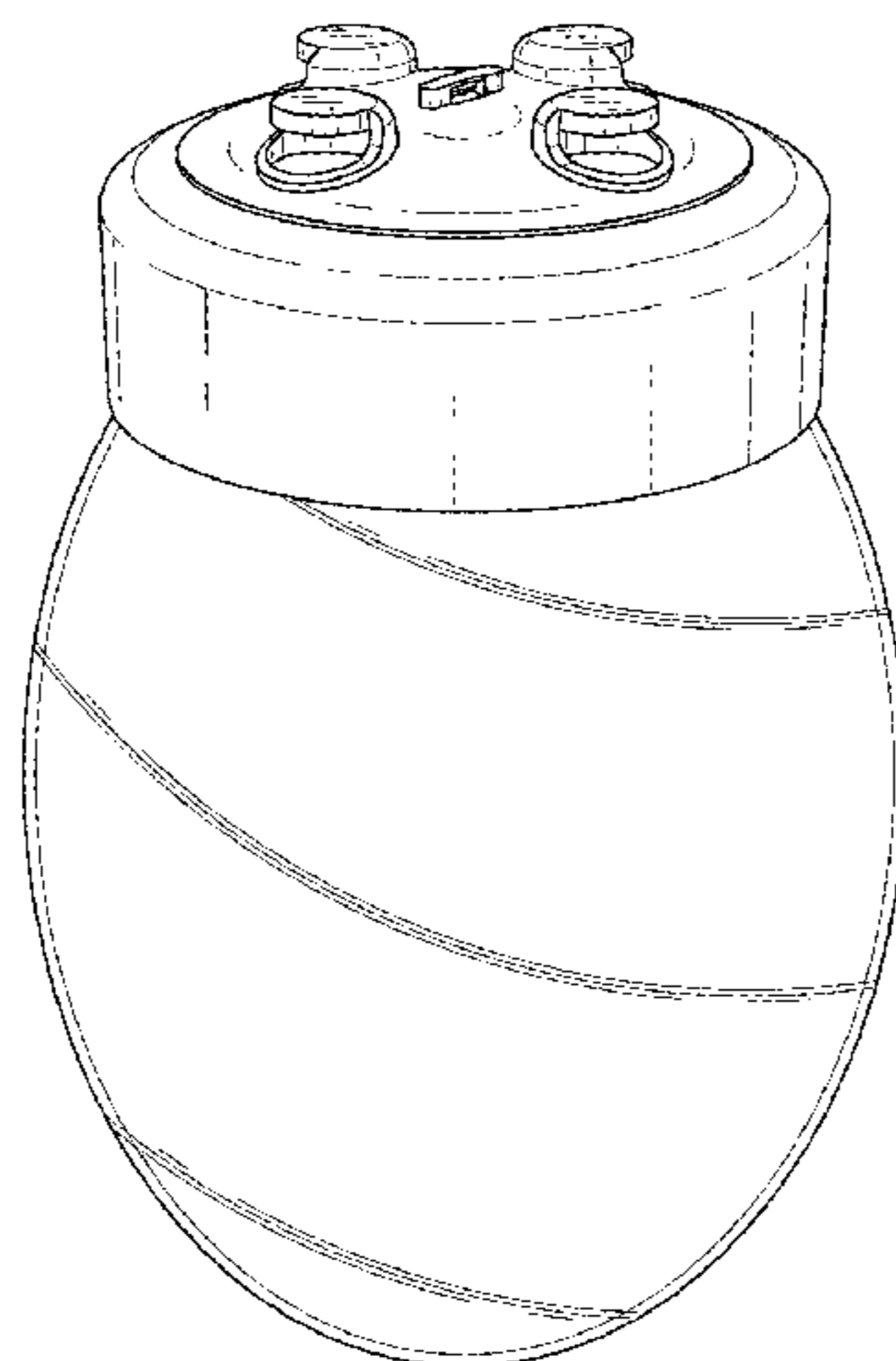
(57) **CLAIM**

The ornamental design for a flying insect trap, as shown and described.

DESCRIPTION

FIG. 1 is a right front perspective view of a first variant of a flying insect trap;
 FIG. 2 is a top plan view of the flying insect trap of FIG. 1;
 FIG. 3 is a bottom plan view of the flying insect trap of FIG. 1;
 FIG. 4 is a front elevational view of the flying insect trap of FIG. 1;
 FIG. 5 is a rear elevational view of the flying insect trap of FIG. 1;
 FIG. 6 is a left side elevational view of the flying insect trap of FIG. 1;
 FIG. 7 is a right side elevational view of the flying insect trap of FIG. 1;
 FIG. 8 is a right front perspective view of a second variant of a flying insect trap;
 FIG. 9 is a top plan view of the flying insect trap of FIG. 8;
 FIG. 10 is a bottom plan view of the flying insect trap of FIG. 8;
 FIG. 11 is a front elevational view of the flying insect trap of FIG. 8;
 FIG. 12 is a rear elevational view of the flying insect trap of FIG. 8;
 FIG. 13 is a left side elevational view of the flying insect trap of FIG. 8; and,
 FIG. 14 is a right side elevational view of the flying insect trap of FIG. 8.

1 Claim, 6 Drawing Sheets



(56)

References Cited

U.S. PATENT DOCUMENTS

2006/0207163 A1* 9/2006 Frokopy A01M 1/2005
43/131

* cited by examiner

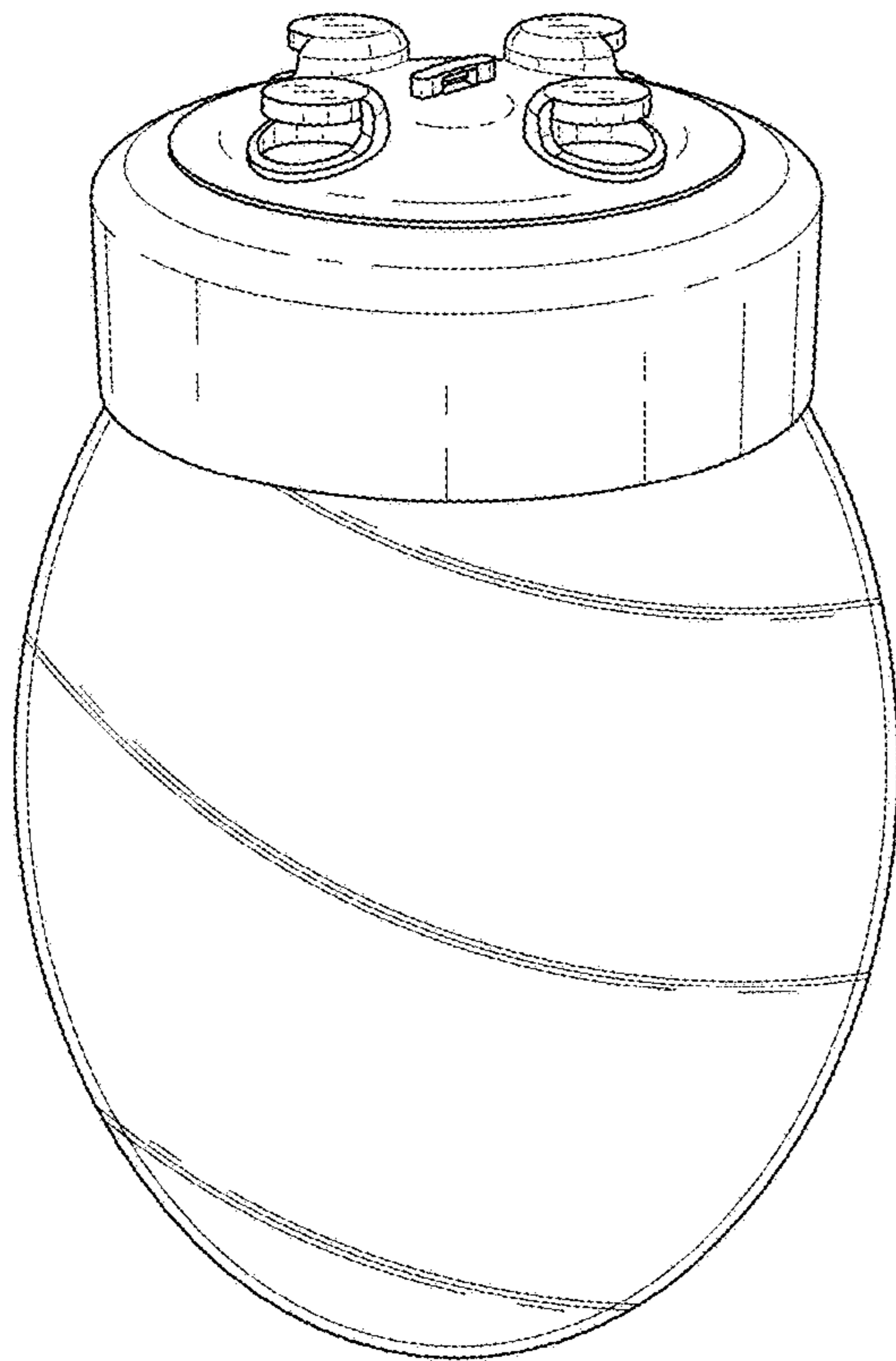


FIG. 1

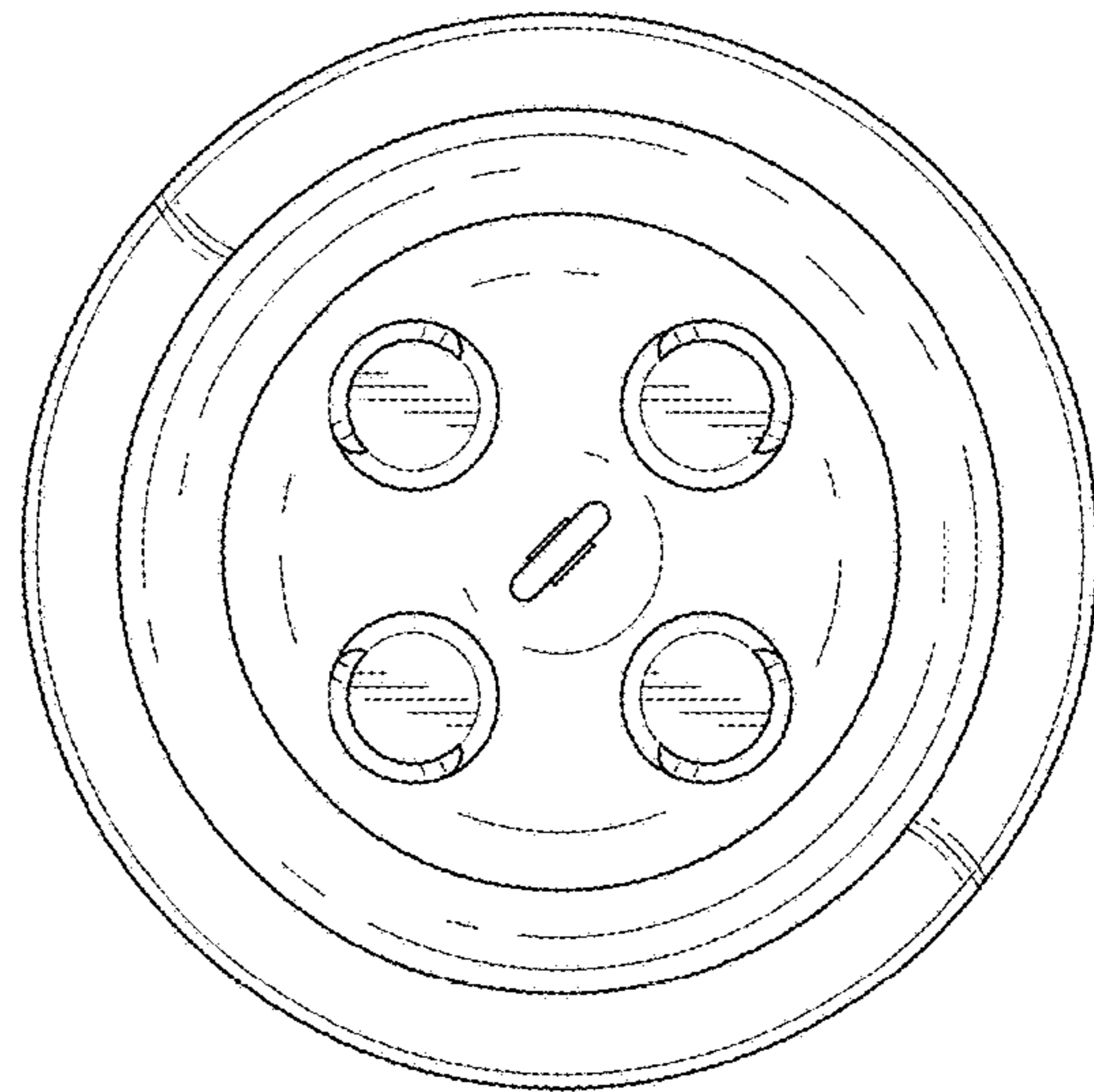


FIG. 2

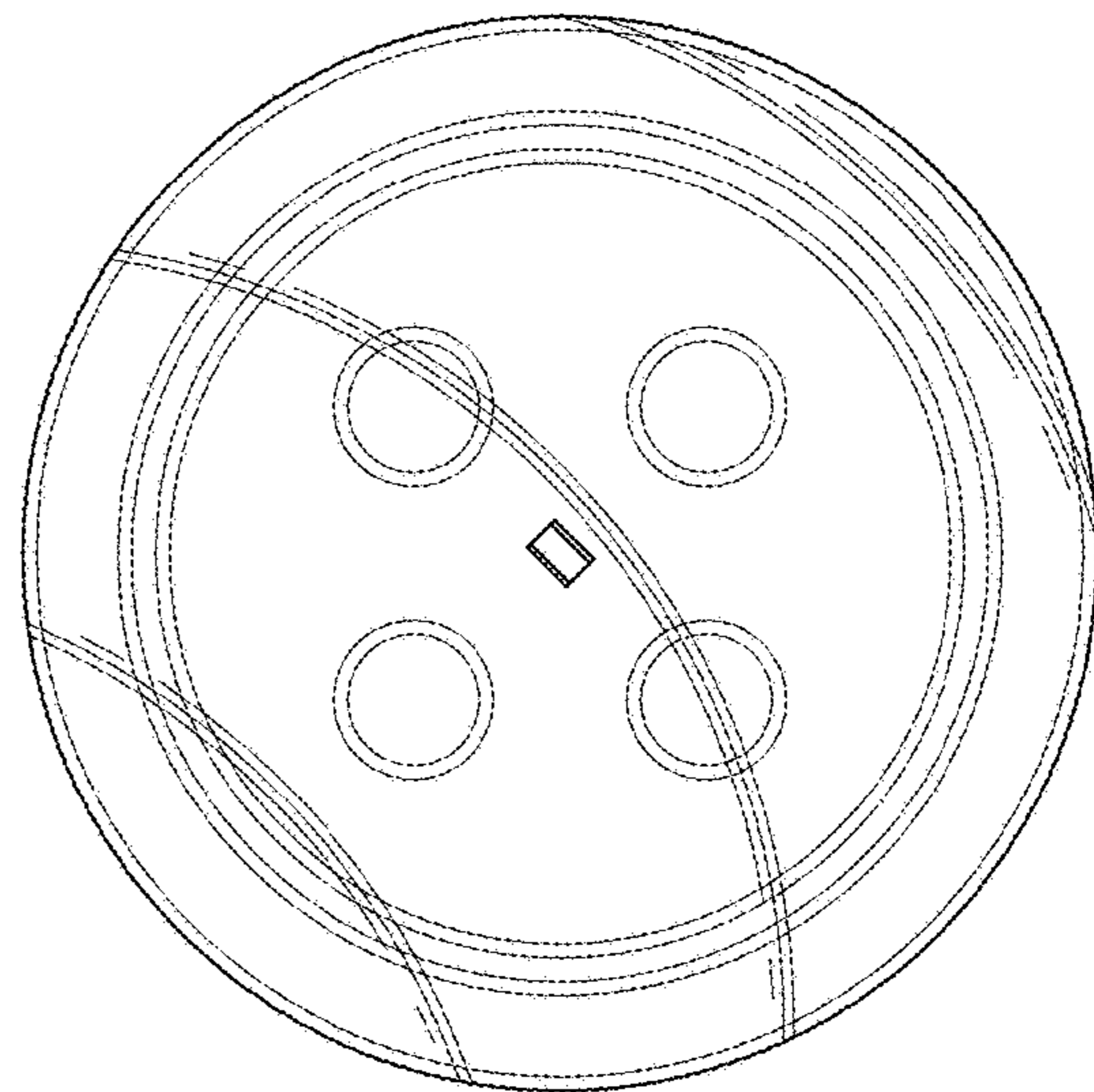


FIG. 3

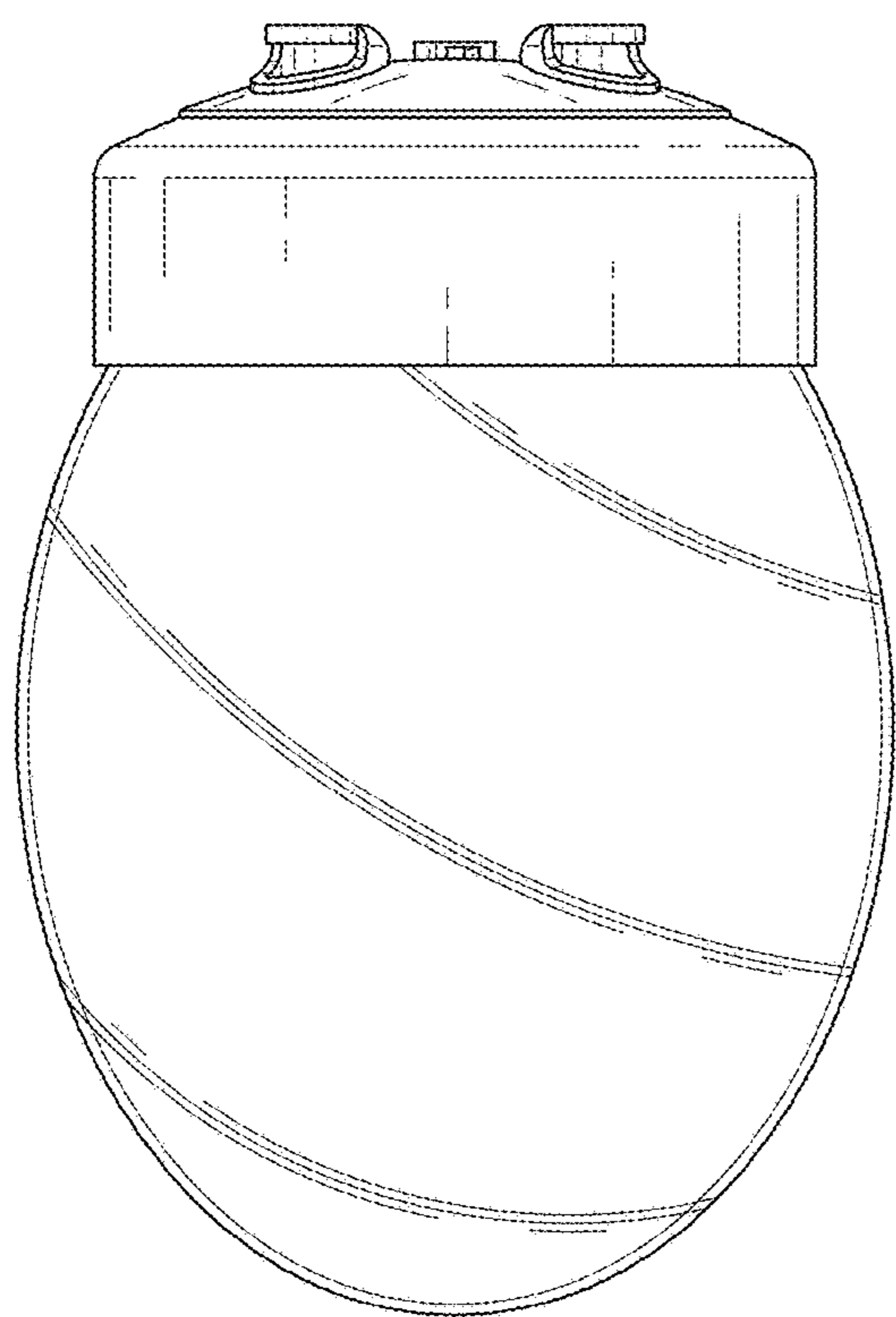


FIG. 4

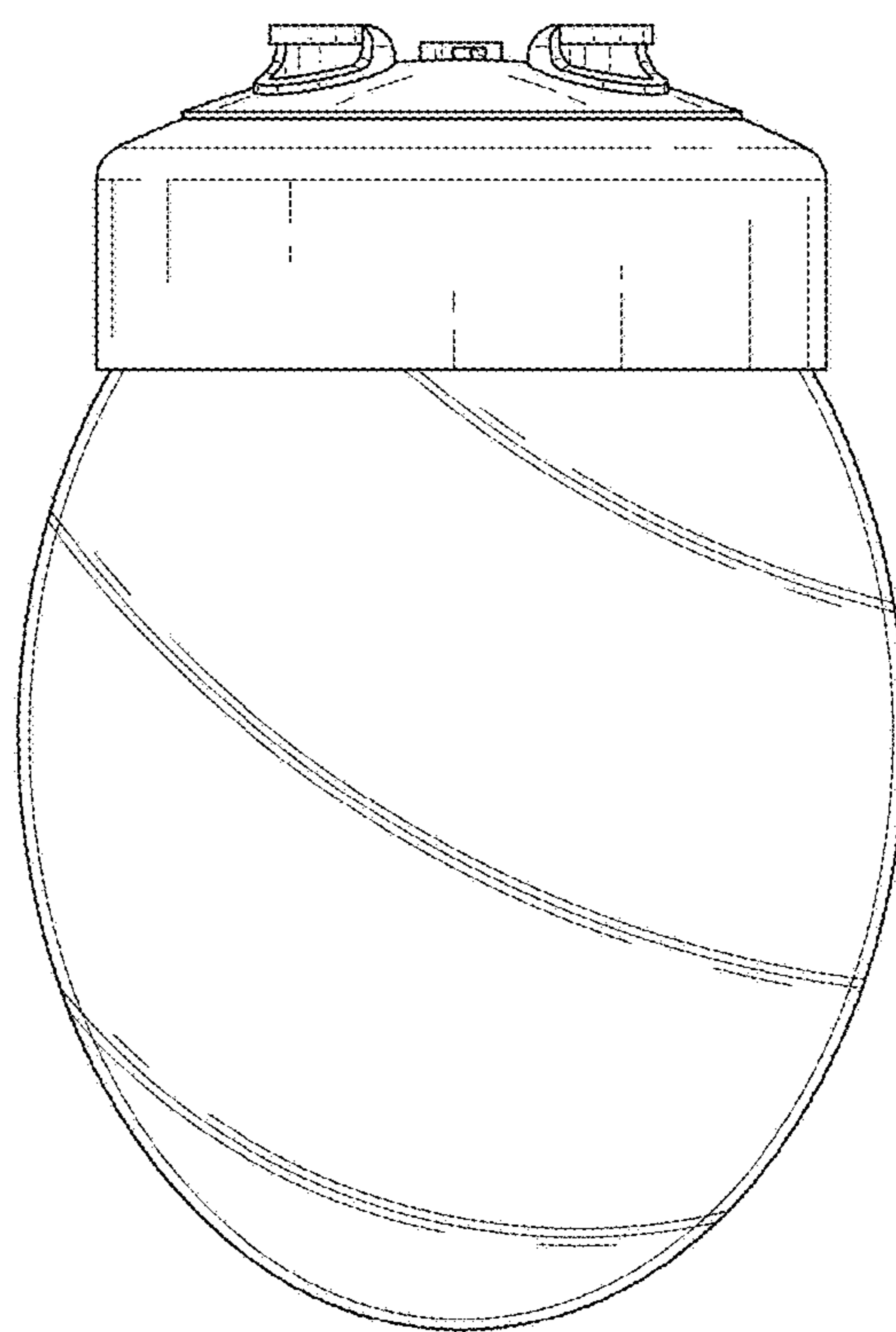


FIG. 5

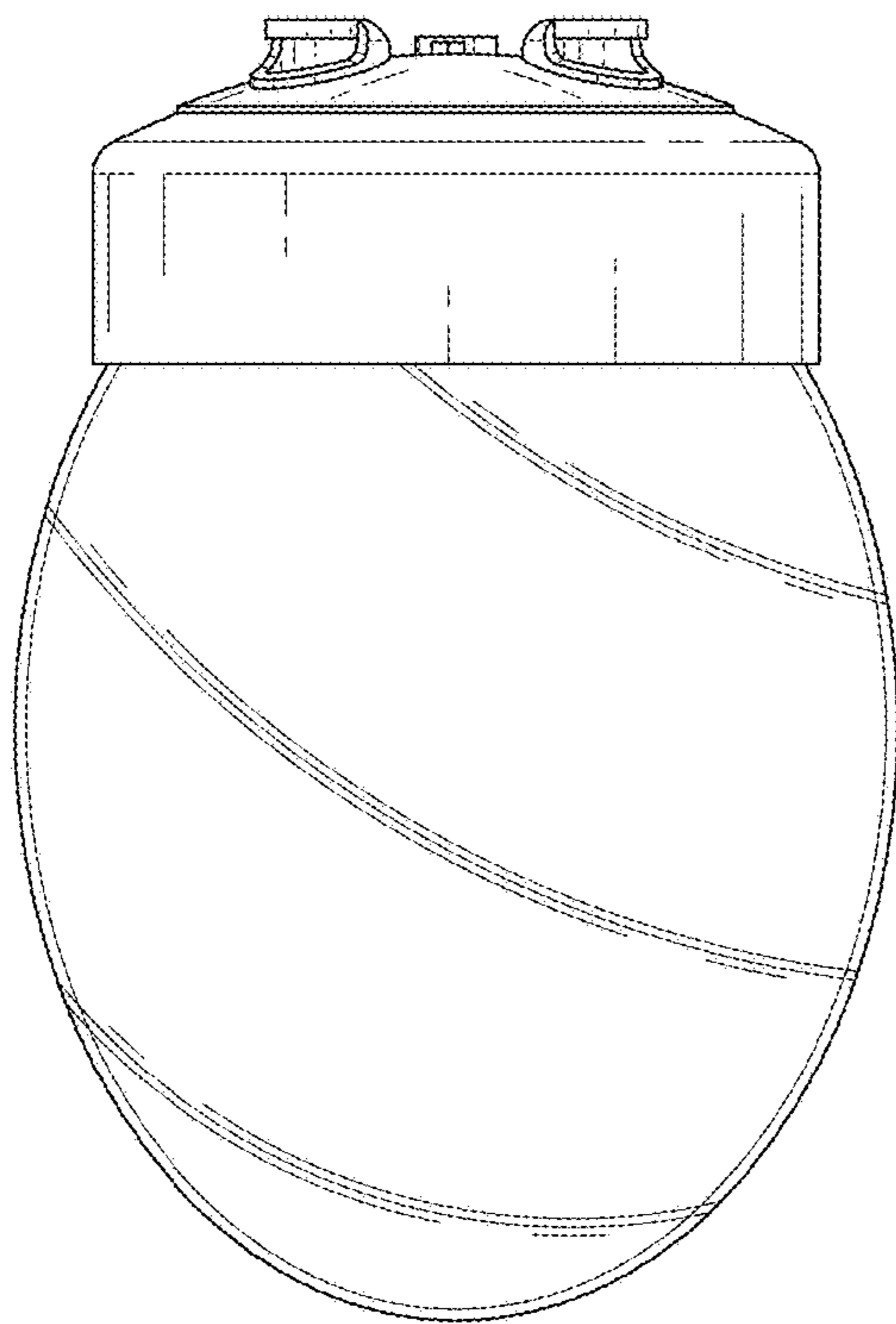


FIG. 6

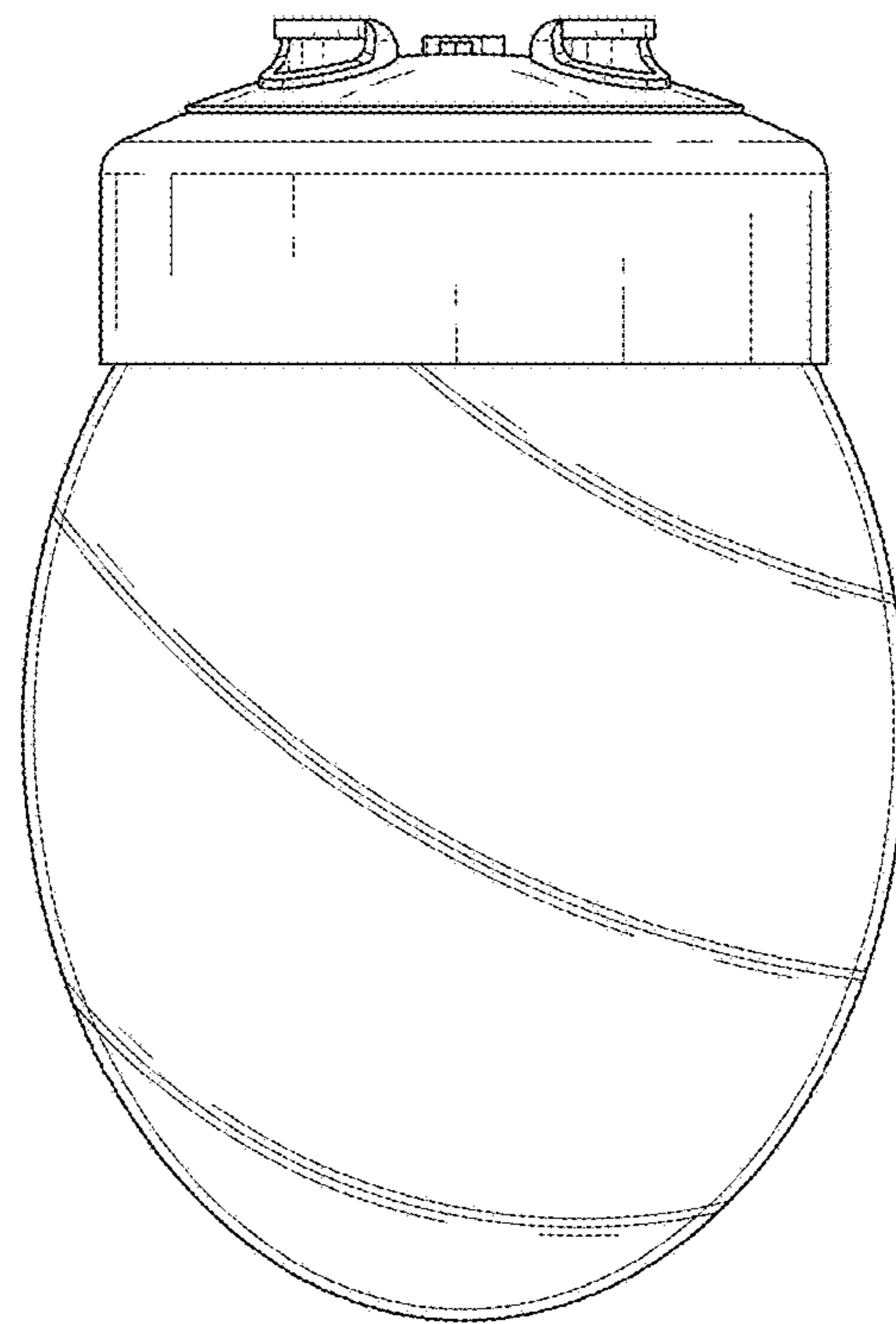


FIG. 7

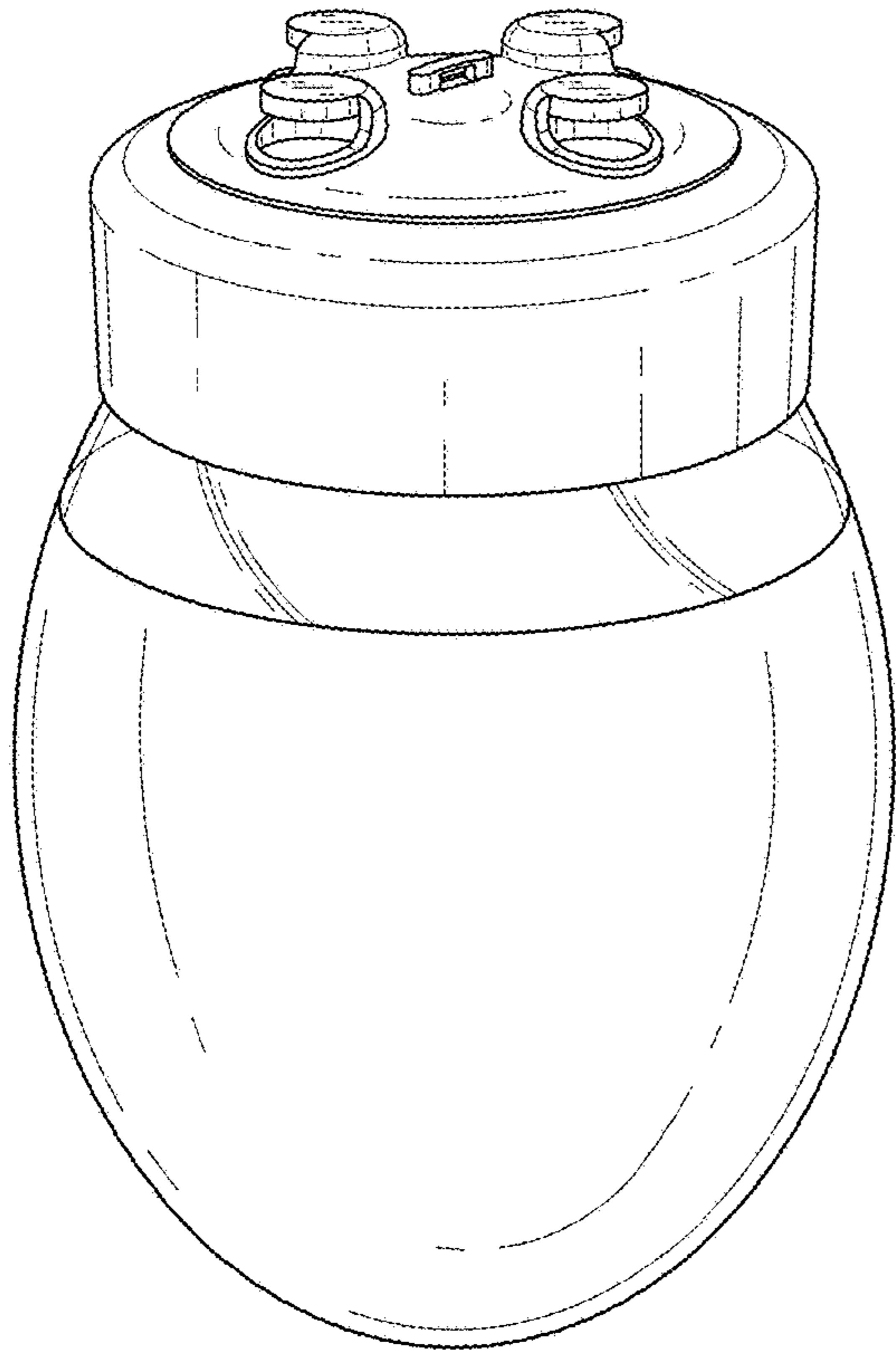


FIG. 8

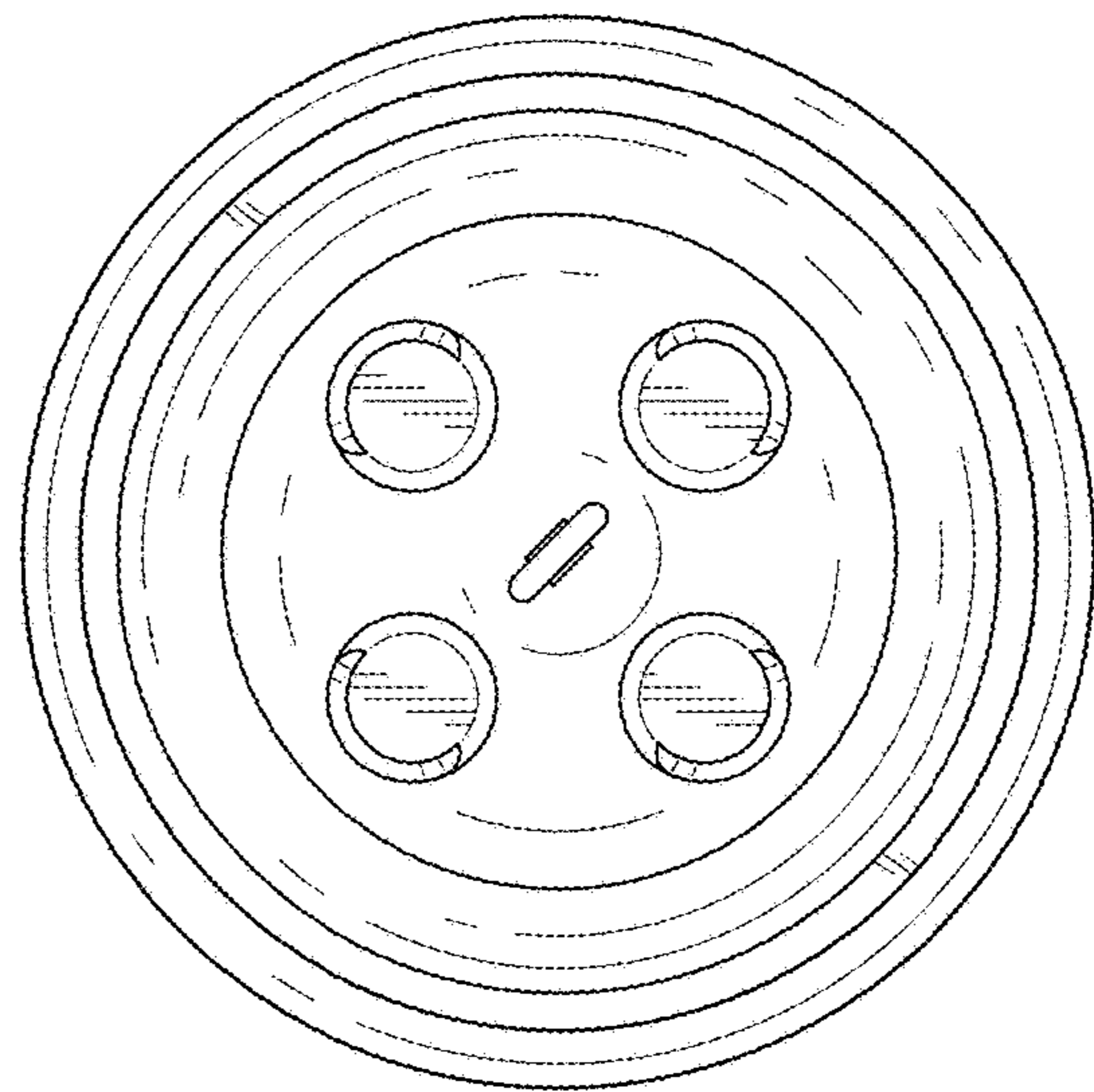


FIG. 9

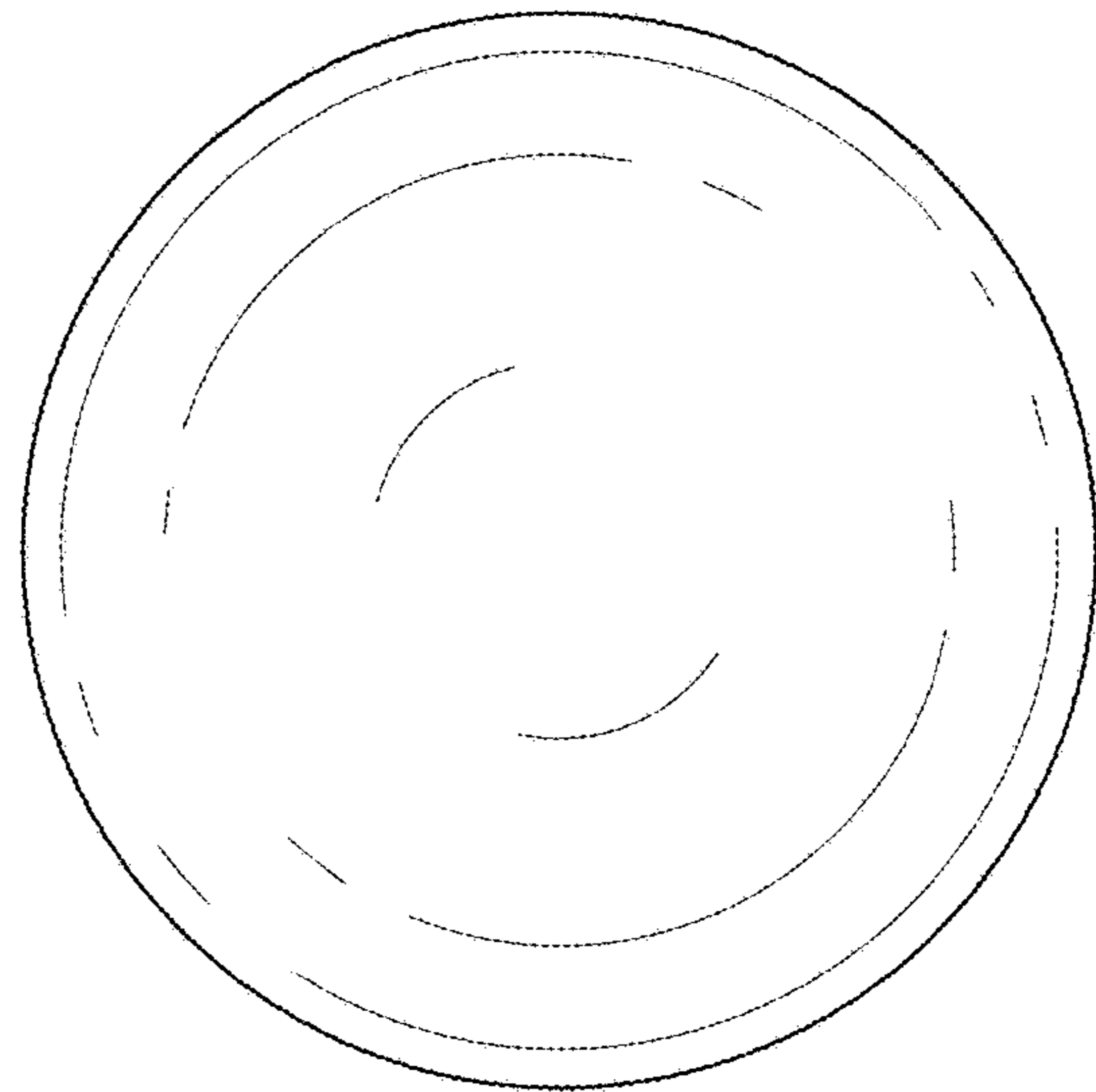


FIG. 10

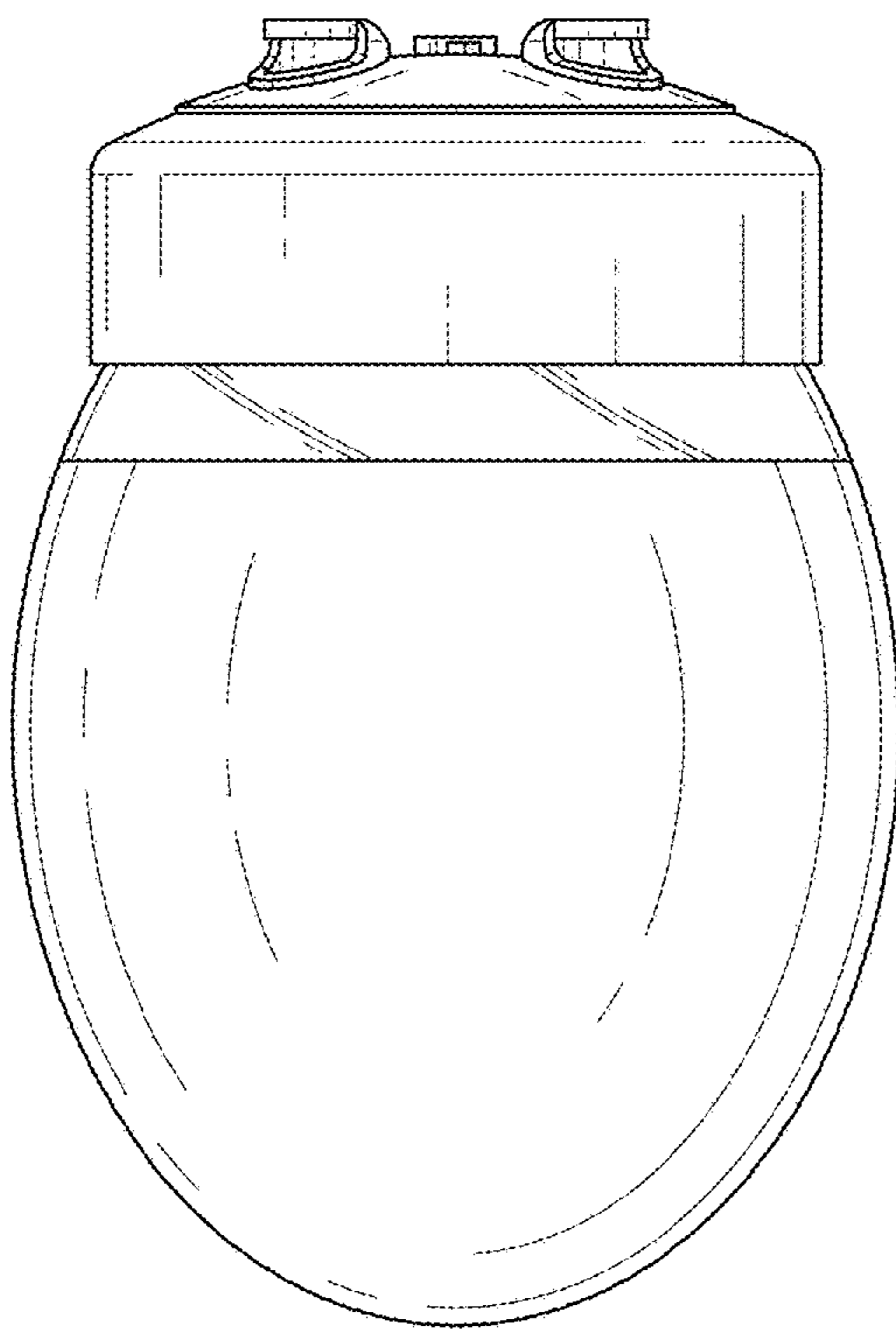


FIG. 11

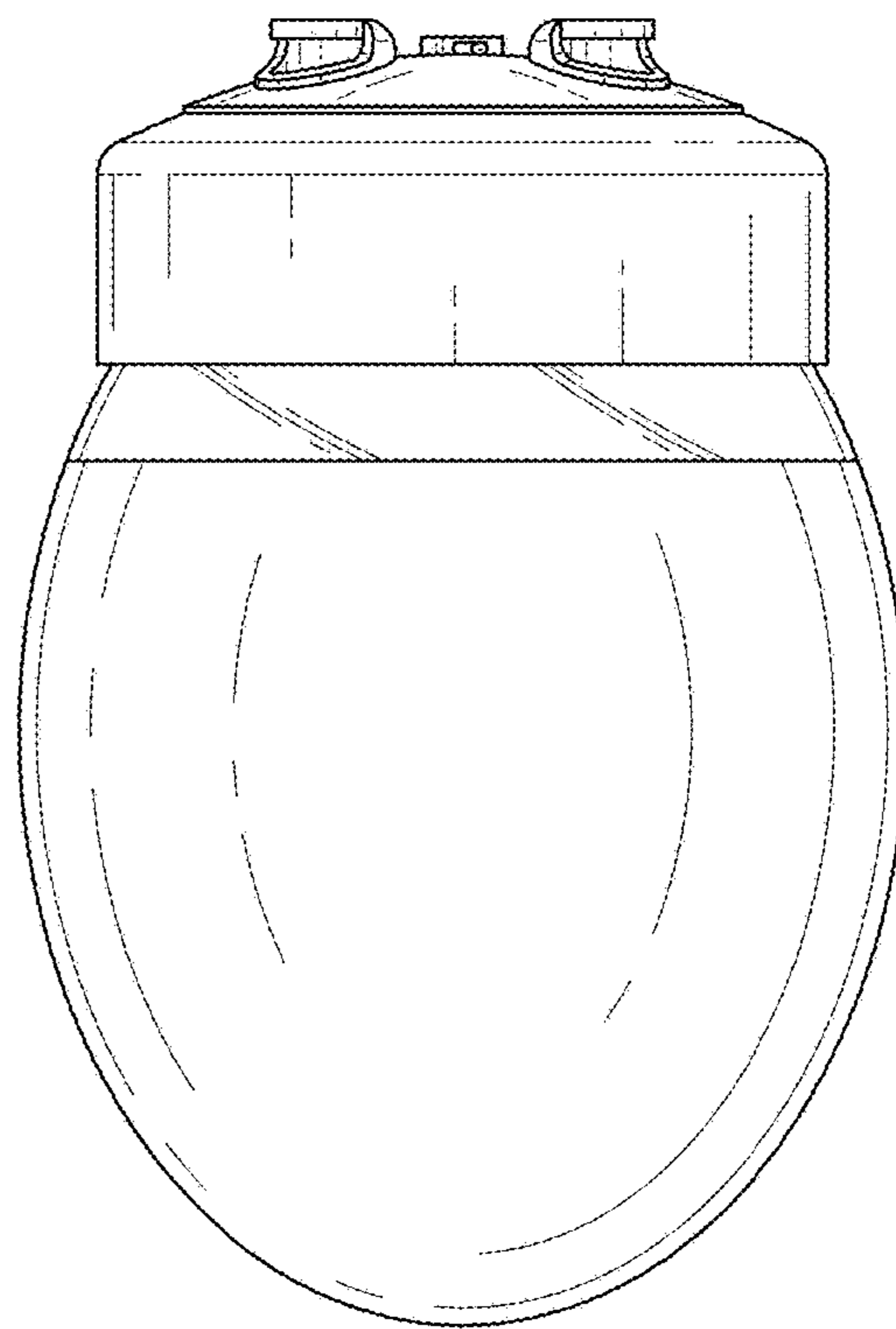


FIG. 12

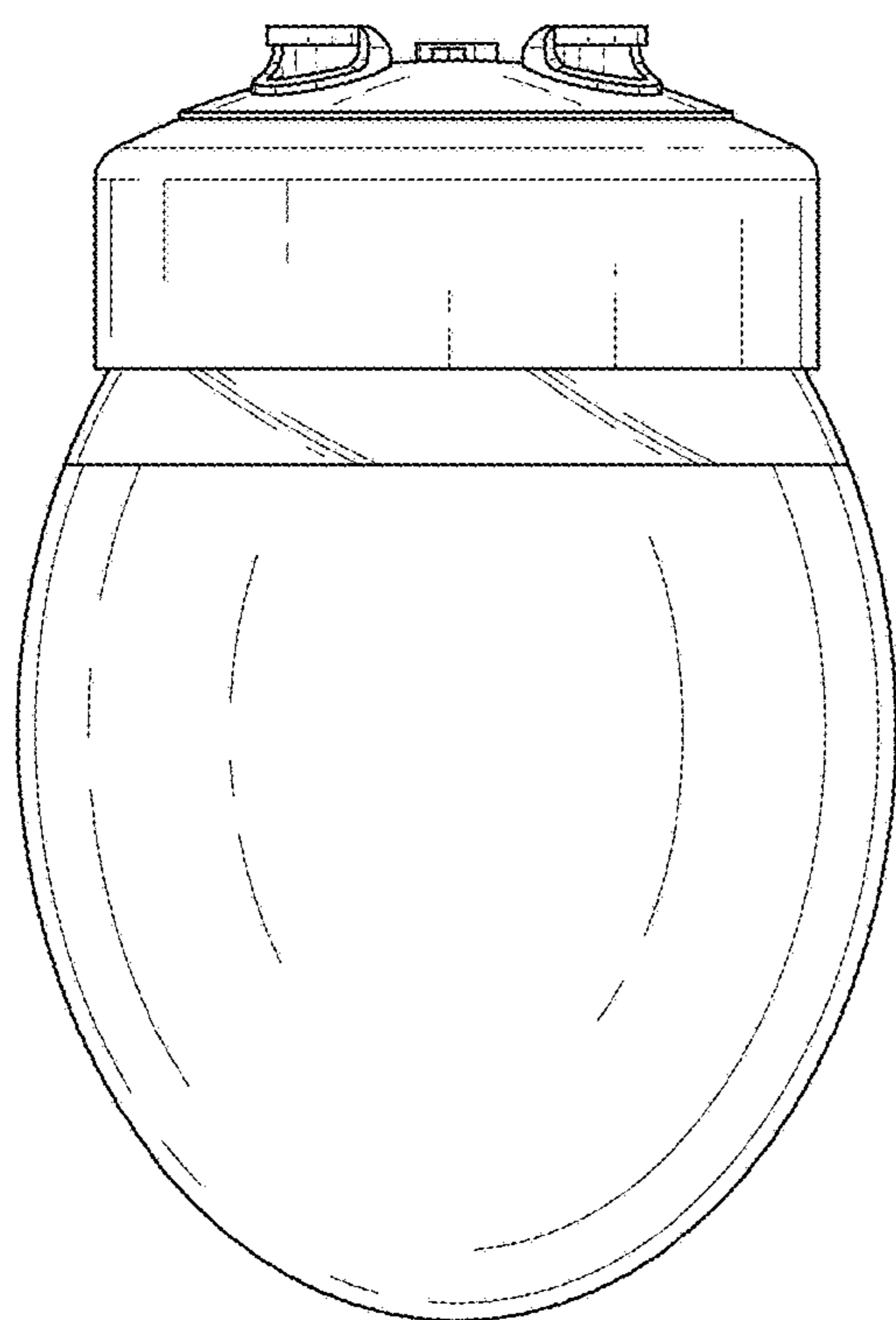


FIG. 13

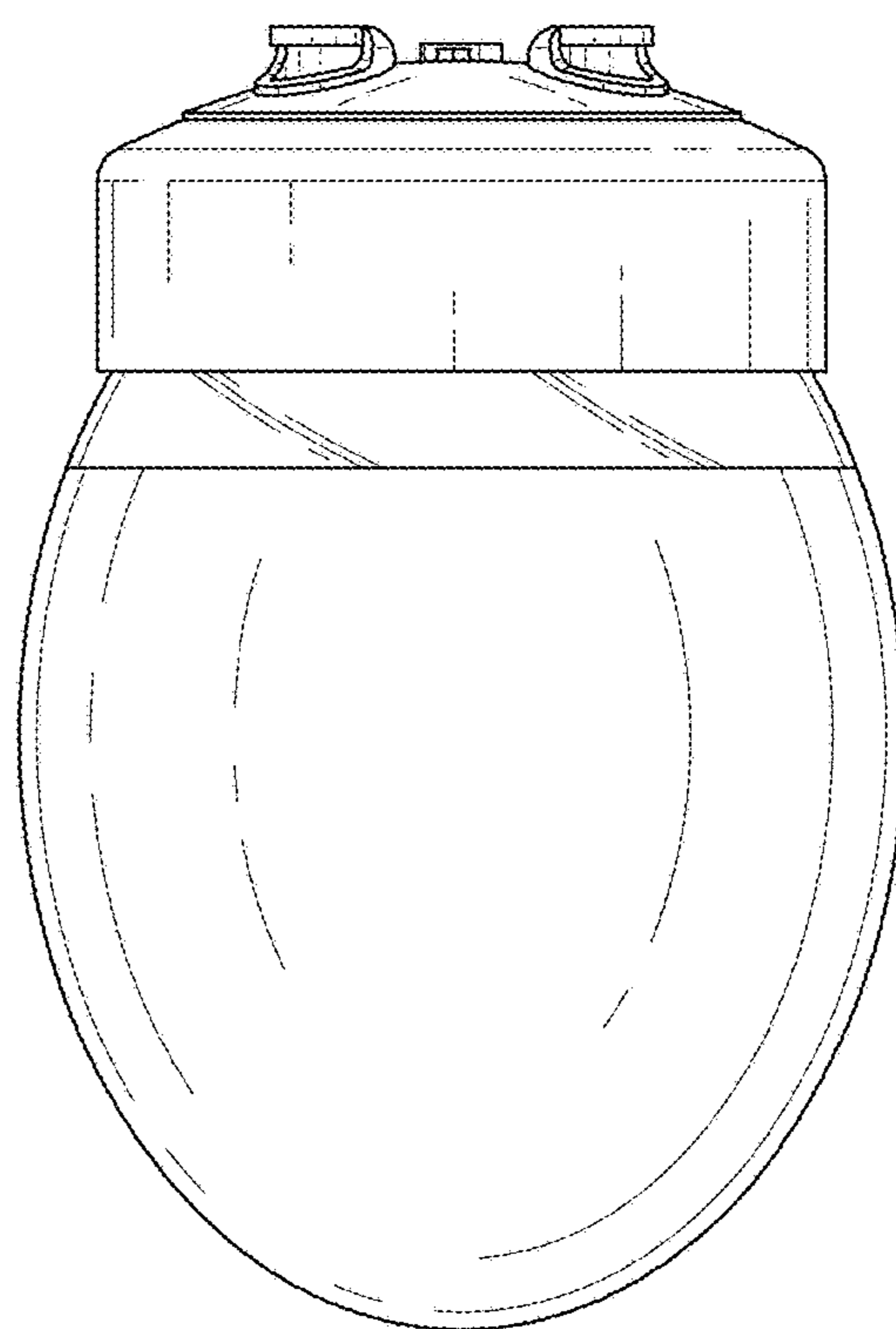


FIG. 14