



US00D832971S

(12) **United States Design Patent**  
**Hoshi**

(10) **Patent No.:** **US D832,971 S**  
(45) **Date of Patent:** **\*\* Nov. 6, 2018**

(54) **RIFLE SCOPE**

- (71) Applicant: **Nikon Vision Co., Ltd.**, Tokyo (JP)
- (72) Inventor: **Tomohiro Hoshi**, Tokyo (JP)
- (73) Assignee: **Nikon Vision Co., Ltd.**, Tokyo (JP)
- (\*\*) Term: **15 Years**

(21) Appl. No.: **29/588,720**

(22) Filed: **Dec. 22, 2016**

(51) **LOC (11) Cl.** ..... **22-01**

(52) **U.S. Cl.**  
USPC ..... **D22/109**

(58) **Field of Classification Search**  
 USPC ..... D22/108–110, 100, 101, 103–107, 115;  
 D16/130, 132, 133, 134, 330; D26/38;  
 D21/572–575; D14/418; 42/119, 122,  
 42/124, 126, 127, 143, 10, 111, 114, 118,  
 42/120, 123, 125, 132, 85, 90, 113, 117,  
 42/141, 67; 86/10; 102/450, 451, 452,  
 102/532, 461  
 CPC .... F41G 11/001; F41G 11/003; F41G 11/004;  
 F41G 1/00; F41G 1/38; F41G 11/005  
 See application file for complete search history.

(56) **References Cited**

**U.S. PATENT DOCUMENTS**

D275,495 S *	9/1984	Tominaga	.....	D16/132
D308,981 S	7/1990	Moore		
D313,607 S	1/1991	Moore		
5,666,753 A *	9/1997	Kolling	.....	F41A 17/42 42/70.01
D416,972 S	11/1999	Ottoman et al.		
D417,679 S *	12/1999	Cross	.....	D16/132
6,005,711 A *	12/1999	Mai	.....	G02B 7/10 359/399
D420,718 S	2/2000	Ottoman et al.		
D421,286 S	2/2000	Tucker		
D427,658 S	7/2000	Tucker		

(Continued)

**FOREIGN PATENT DOCUMENTS**

JP	1429045 S	11/2011
JP	1429761 S	11/2011

**OTHER PUBLICATIONS**

Gear Review: Sig Sauer Whiskey5 5-25x52 Rifle scope, TheTruthAboutGuns.com, by Jeremy S., Sep 9, 2015, [online], [site visited Jan. 7, 2018]. <URL: <http://www.thetruthaboutguns.com/2015/09/jeremy-s/gear-review-sig-sauer-whiskey5-5-25x52-riflescope/>> Year: 2015.\*

(Continued)

*Primary Examiner* — T. Chase Nelson  
*Assistant Examiner* — Jonathan J. Han

(74) *Attorney, Agent, or Firm* — Wolf, Greenfield & Sacks, P.C.

(57) **CLAIM**

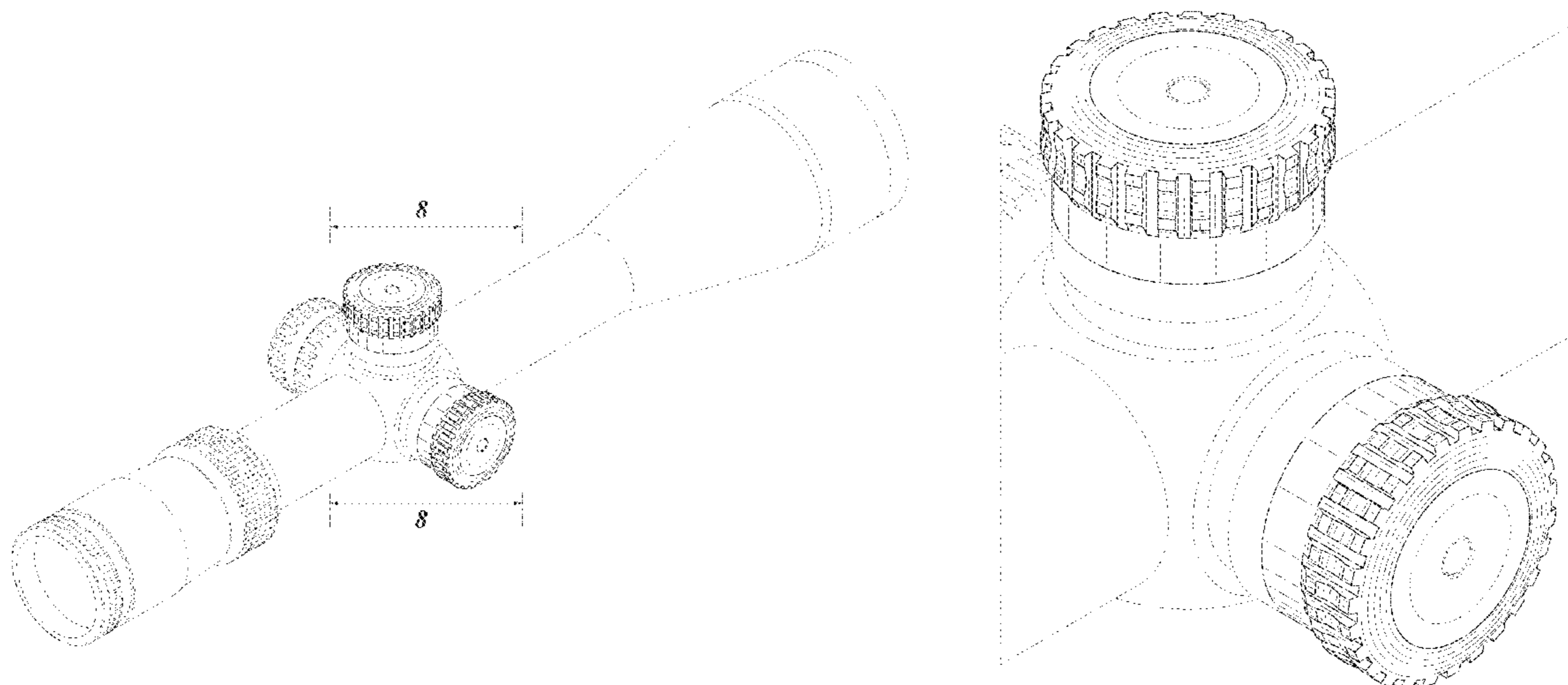
The ornamental design for a rifle scope, as shown and described.

**DESCRIPTION**

FIG. 1 is a perspective view of a rifle scope showing my new design;  
 FIG. 2 is a front view thereof;  
 FIG. 3 is a rear view thereof;  
 FIG. 4 is a top plan view thereof;  
 FIG. 5 is a bottom plan view thereof;  
 FIG. 6 is an enlarged right side view thereof;  
 FIG. 7 is an enlarged left side view thereof; and,  
 FIG. 8 is an enlarged view showing a portion defined by 8-8 in FIG. 1.

The features shown in broken lines in the drawings depict portions of the article that form no part of the claimed design. The dash-dotted lines in the drawings denote the boundary of the claim and form no part of the claimed design.

**1 Claim, 8 Drawing Sheets**



(56)

References Cited

U.S. PATENT DOCUMENTS

D476,714 S \* 7/2003 Meinzer ..... D22/109  
 6,691,447 B1 \* 2/2004 Otteman ..... F41G 1/38  
 7,626,760 B2 \* 12/2009 Wu ..... G02B 7/04  
 359/429  
 D619,192 S \* 7/2010 Riley ..... D22/108  
 D619,193 S \* 7/2010 Riley ..... D22/108  
 D667,521 S 9/2012 Hoshi  
 D668,312 S 10/2012 Asano  
 D679,774 S \* 4/2013 Burzel ..... D22/108  
 D681,152 S \* 4/2013 Burzel ..... D22/109  
 D689,163 S \* 9/2013 Radau ..... D22/109  
 D689,582 S \* 9/2013 Radau ..... D22/109  
 D707,324 S \* 6/2014 Radau ..... D22/109  
 8,919,026 B2 \* 12/2014 Hamilton ..... F41G 1/38  
 356/247  
 D723,652 S \* 3/2015 Radau ..... D22/109  
 D728,060 S \* 4/2015 Vogl ..... D22/109  
 D728,061 S \* 4/2015 Vogl ..... D22/109  
 D732,633 S \* 6/2015 Cheng ..... D22/109  
 RE46,011 E \* 5/2016 Huber ..... F41G 1/38  
 D779,622 S 2/2017 Thomas et al.  
 9,677,848 B2 \* 6/2017 Hamilton ..... F41G 1/38  
 D797,879 S 9/2017 Thomas et al.  
 2009/0109528 A1 \* 4/2009 Wu ..... F41G 1/26  
 359/425  
 2010/0229451 A1 \* 9/2010 Hamilton ..... F41G 1/345  
 42/126  
 2011/0061285 A1 \* 3/2011 Hamilton ..... F41G 1/38  
 42/122  
 2012/0167444 A1 \* 7/2012 Adkins ..... F41G 1/38  
 42/135  
 2013/0276345 A1 \* 10/2013 Hamilton ..... F41G 1/38  
 42/119  
 2015/0135578 A1 \* 5/2015 Walker ..... F41G 1/38  
 42/119

2015/0143733 A1 \* 5/2015 Thomas ..... F41G 1/38  
 42/119  
 2015/0268000 A1 \* 9/2015 Carroll ..... F41G 1/38  
 42/111  
 2016/0040959 A1 \* 2/2016 Davidson ..... F41G 1/38  
 42/122  
 2017/0241742 A1 \* 8/2017 Davidson ..... F41G 1/38  
 2017/0363388 A9 \* 12/2017 Hamilton ..... F41G 1/38

OTHER PUBLICATIONS

The 10 Absolute Best Rifle Scopes of 2017, FieldAndStream.com, by Dave Hurteau and Richard Mann, with James Zavislan, Aug. 21, 2017, [online], [site visited Jan. 7, 2018]. <URL: <https://www.fieldandstream.com/top-10-rifle-scopes-2017>> (Year: 2017).\*

Nikon Announces Black Rifle Scope Series, AmericanRifleMan.org, by American Rifleman Staff—Wednesday, Feb. 15, 2017, [online], [site visited Jan. 7, 2018]. <URL: <https://www.americanrifleman.org/articles/2017/2/15/nikon-announces-black-riflescope-series/>> (Year: 2017).\*

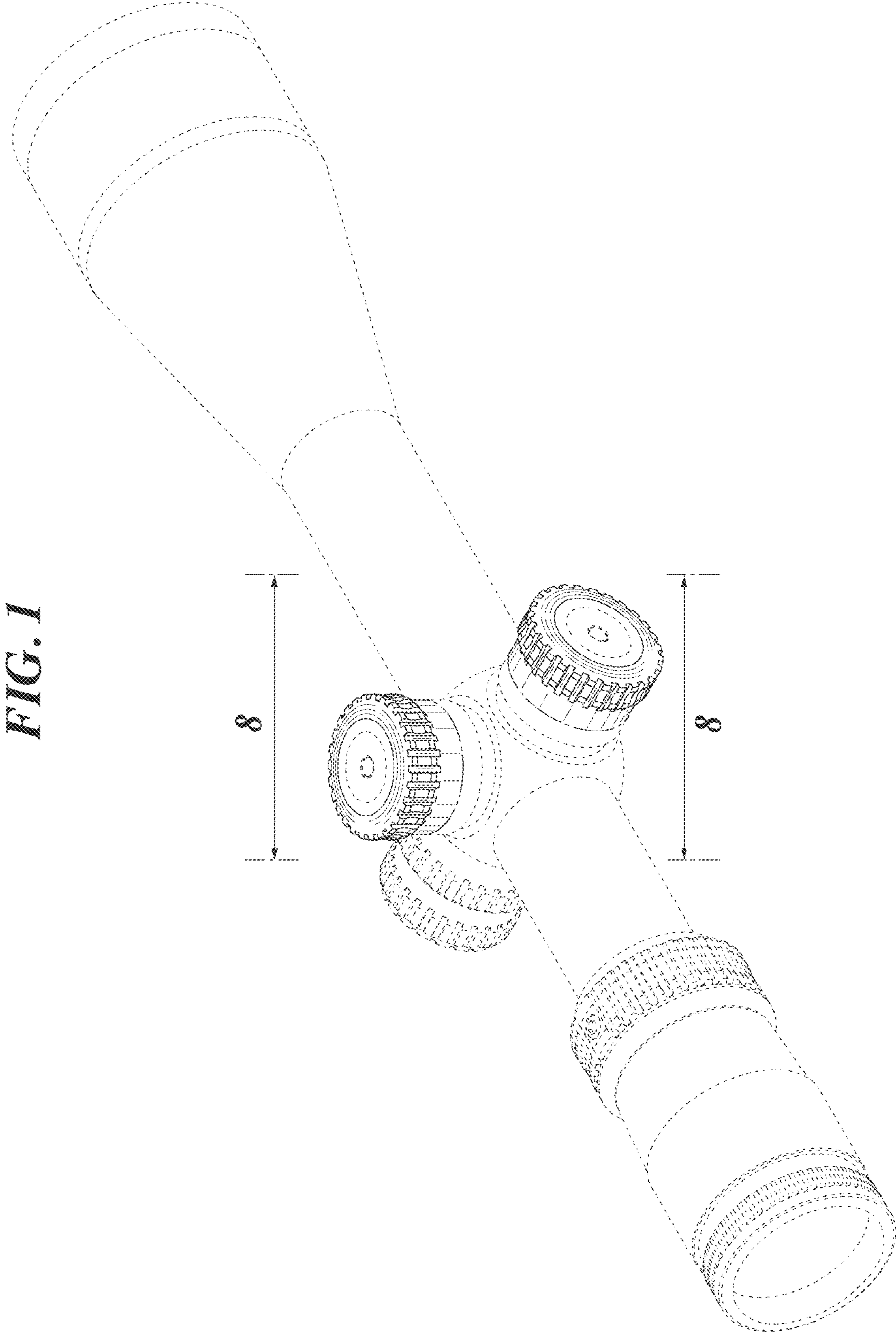
Black X1000 4-16x50SF Matte Illuminated X-MOA Reticle, NikonSportOptics.com, [online], [site visited Jan. 7, 2018]. <URL: <https://www.nikonsportoptics.com/en/nikon-products/riflescopes/black-x1000-4-16x50sf-matte-illuminated-x-moa-reticle.html#tab-ProductDetail-ProductTabs-Overview>> (Year: 2018).\*

Notice of Allowance for U.S. Appl. No. 29/588,729, dated Feb. 7, 2018.

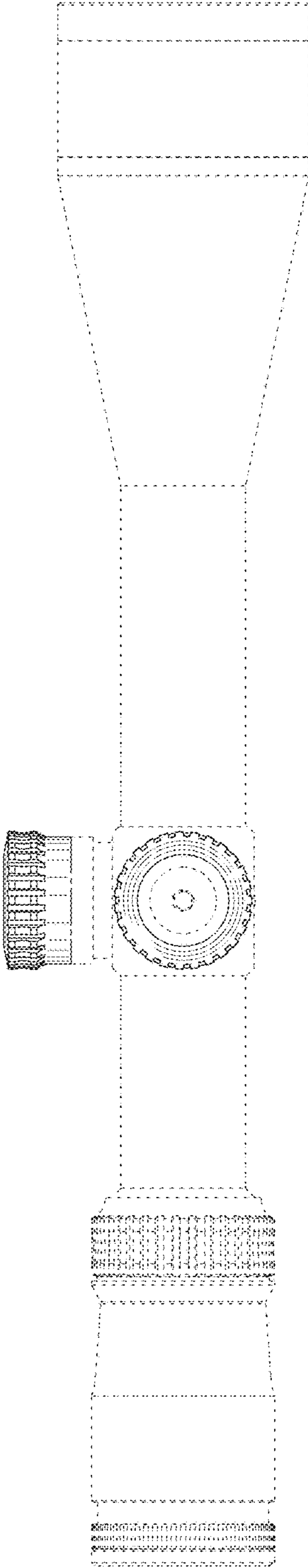
Notice of Allowance for U.S. Appl. No. 29/588,670, dated Apr. 26, 2018.

[No Author Listed] Primary Arms 1-8 x 24mm Scope ACSS BDC Illuminated Reticle PA1-8x24SFPACSS-5.56. Amazon.com. <https://www.amazon.com/Primary-Arms-Illuminated-Reticle-PAI-8X24SFPACSS-5-56/dp/B0115G8GVU>, 8 pages [site visited Mar. 26, 2018].

\* cited by examiner

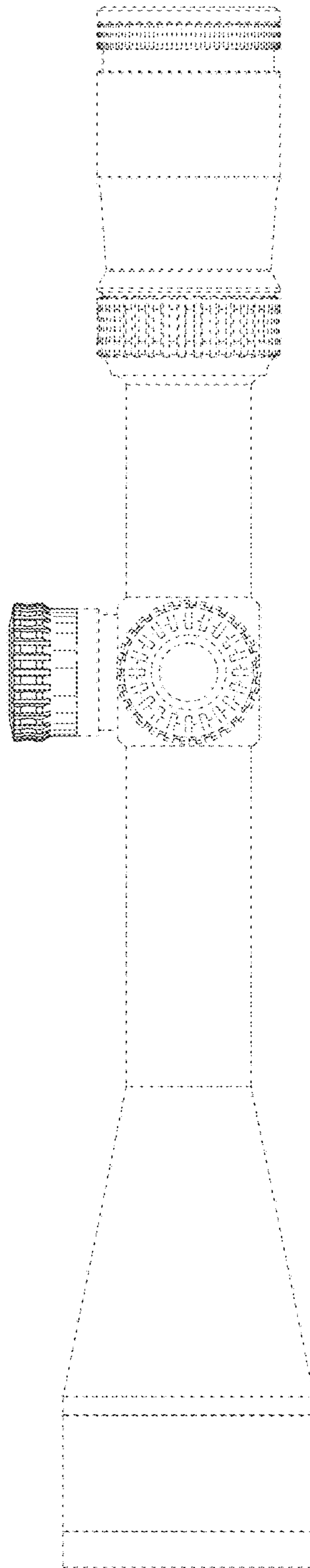


*FIG. 2*





*FIG. 3*



*FIG. 4*

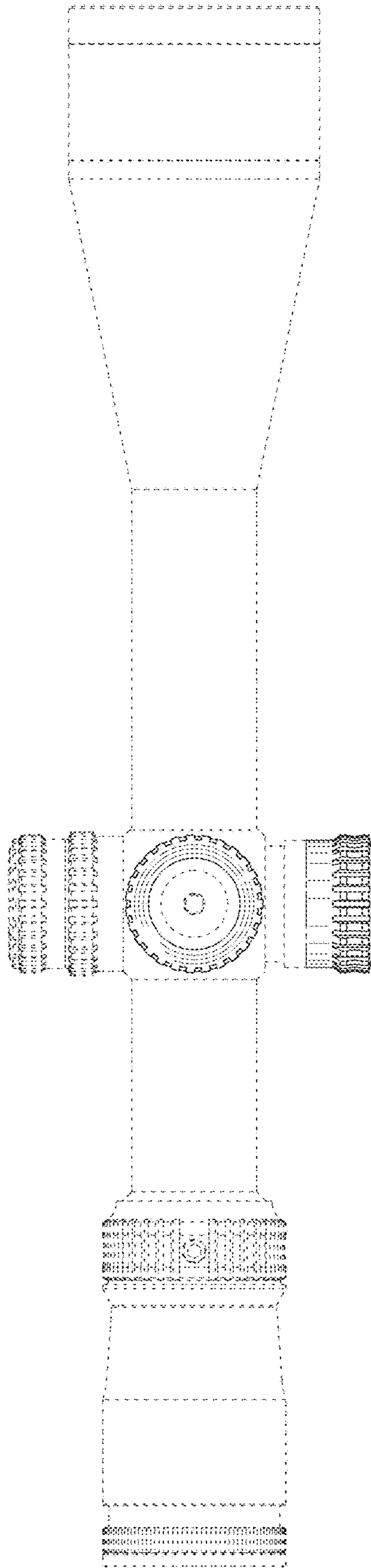
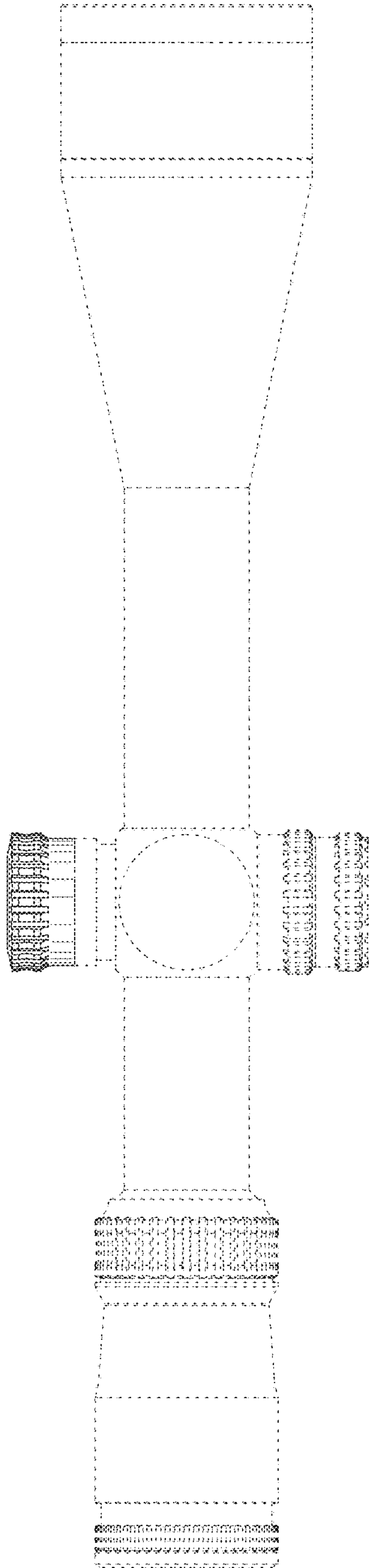
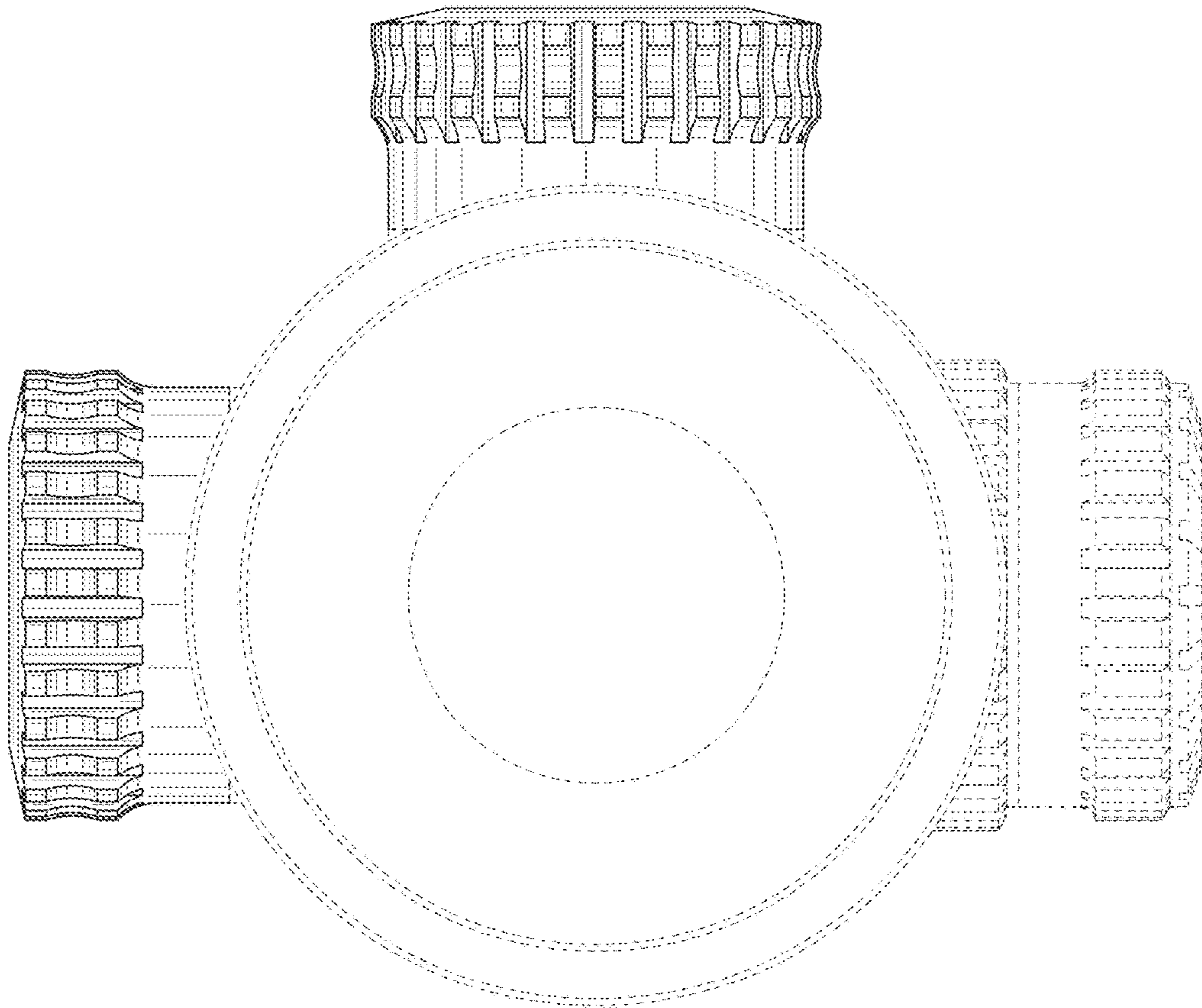


FIG. 5

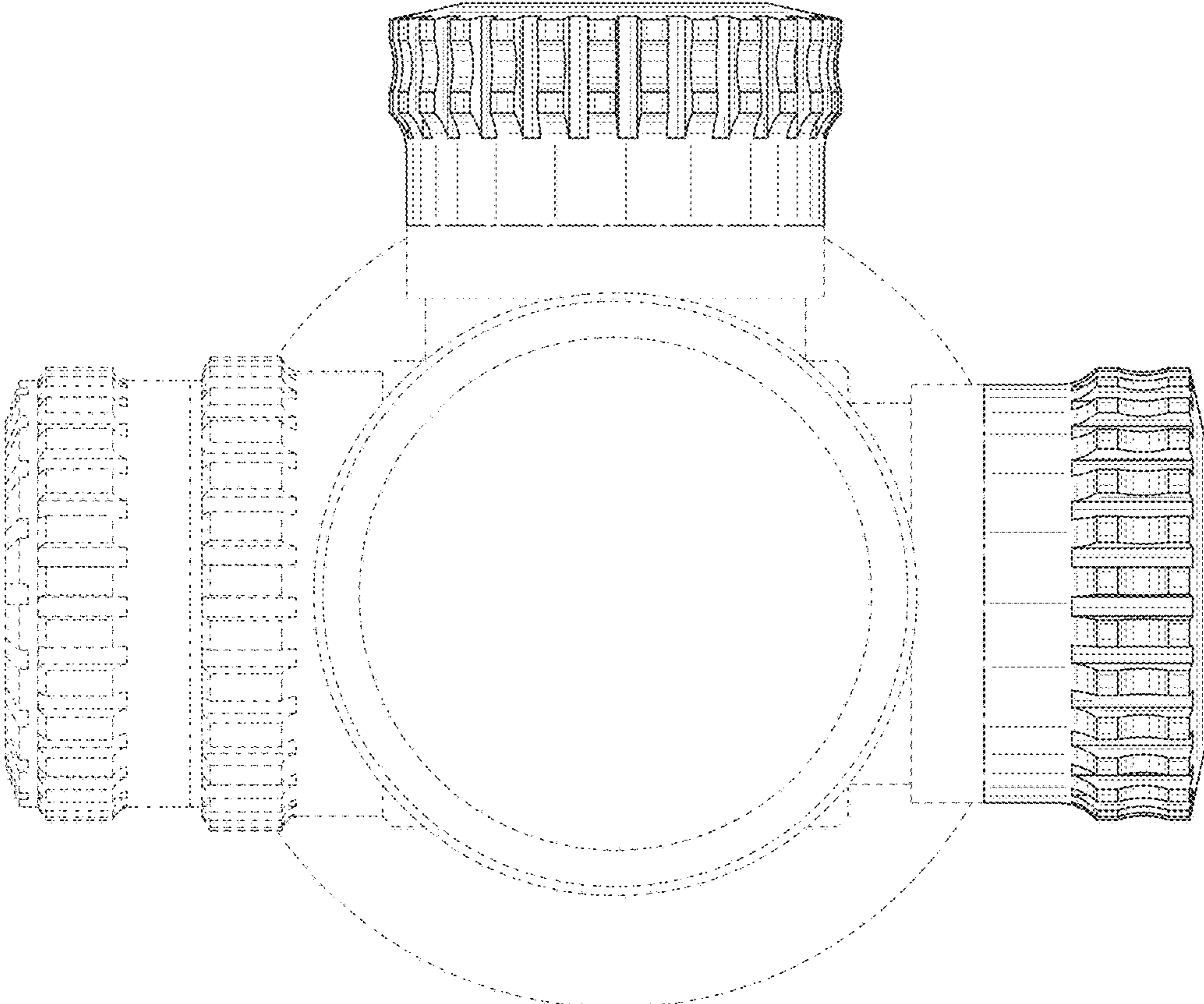


*FIG. 6*





*FIG. 7*



*FIG. 8*

