

US00D832969S

(12) **United States Design Patent** (10) **Patent No.:** **US D832,969 S**
Cross (45) **Date of Patent:** **** Nov. 6, 2018**

(54) **UPPER RECEIVER FOR A FIREARM**

(71) Applicant: **Sentry Solutions Products Group LLC**, Virginia Beach, VA (US)

(72) Inventor: **Jeffrey Scott Cross**, Lexington, TN (US)

(73) Assignee: **Sentry Solutions Products Group LLC**, Virginia Beach, VA (US)

(**) Term: **15 Years**

(21) Appl. No.: **29/590,473**

(22) Filed: **Jan. 10, 2017**

Related U.S. Application Data

(62) Division of application No. 29/537,203, filed on Aug. 24, 2015, now Pat. No. Des. 795,983.

(51) **LOC (11) Cl.** **22-01**

(52) **U.S. Cl.**
USPC **D22/108**

(58) **Field of Classification Search**
USPC D22/103, 108, 199; D21/572-575
CPC F41A 21/28; F41A 5/18; F41A 5/24; F41C 23/00; F41C 27/00; F41C 27/06; F41C 23/10; F41C 23/14; F41C 23/16; F41C 23/18

See application file for complete search history.

(56) **References Cited**

U.S. PATENT DOCUMENTS

D429,861 S * 8/2000 Denney D32/40
D435,710 S * 12/2000 Denney D32/40
D631,933 S * 2/2011 Thompson D22/108

D706,379 S * 6/2014 Iannello D22/108
D727,456 S * 4/2015 Schefter D22/108
D735,288 S * 7/2015 Gomez D22/108
D760,860 S * 7/2016 Vincent D22/108
D769,400 S * 10/2016 Schefter D22/108
D779,621 S * 2/2017 Salvador D22/108
D792,550 S * 7/2017 Smith D22/111
D795,983 S * 8/2017 Cross D22/108
2013/0219763 A1 * 8/2013 Nunes F41A 3/66
42/16

* cited by examiner

Primary Examiner — Karen S Acker

Assistant Examiner — Steven B Reinholdt, Jr.

(74) *Attorney, Agent, or Firm* — Shaddock Law Group, PC

(57) **CLAIM**

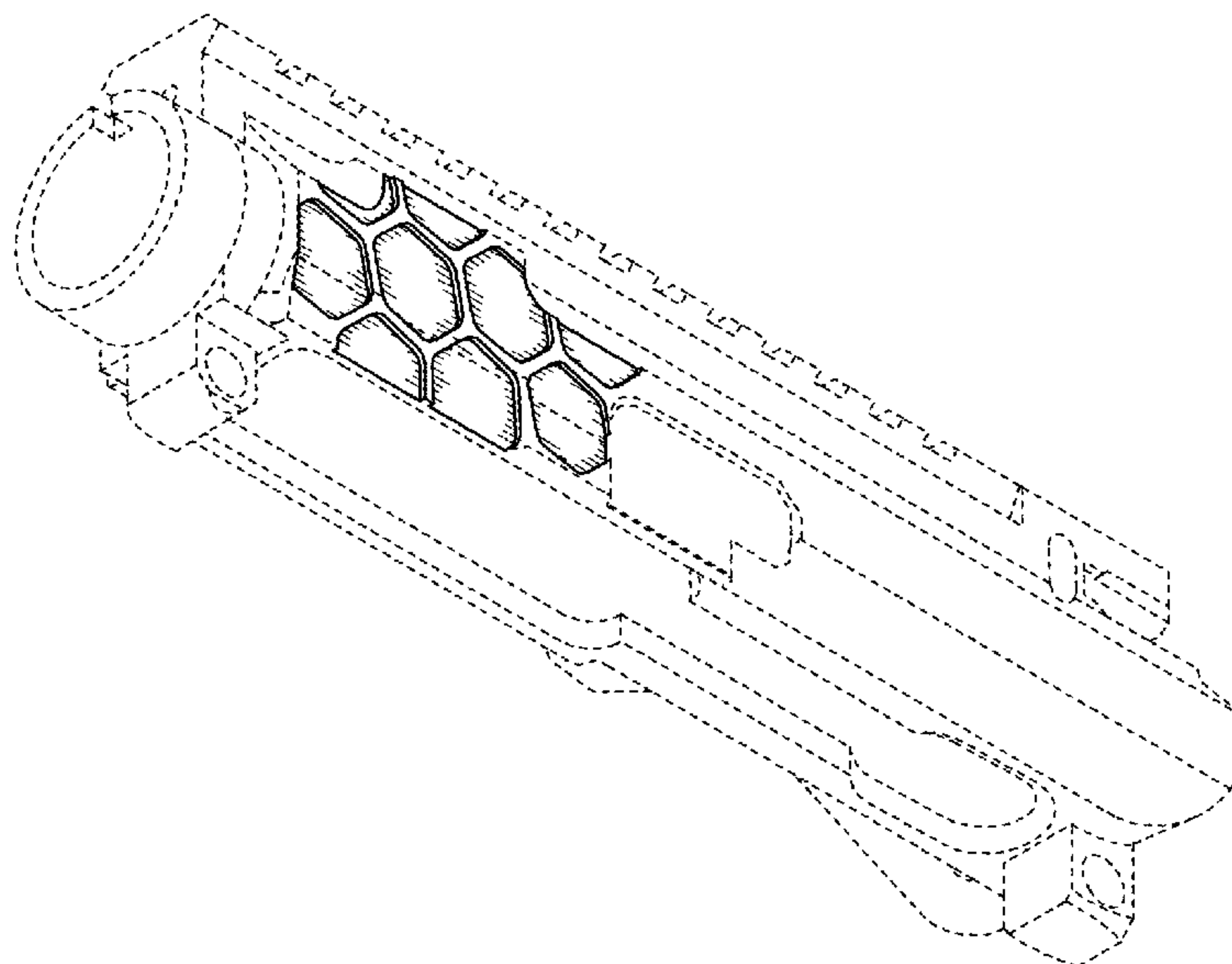
The ornamental design for an upper receiver for a firearm, as shown and described.

DESCRIPTION

FIG. 1 is an upper perspective view of an upper receiver for a firearm according to my new design; FIG. 2 is an upper perspective view thereof; FIG. 3 is a lower perspective view thereof; FIG. 4 is a lower perspective view thereof; FIG. 5 is a side view thereof; FIG. 6 is a side view thereof; and, FIG. 7 is a front view thereof.

The broken lines in the drawings depict portions of the article that form no part of the claimed design. The broken lines illustrating portions of the upper receiver for a firearm including the plane surrounding the hexagon and partial hexagon recessed features are not included in the claim.

1 Claim, 5 Drawing Sheets



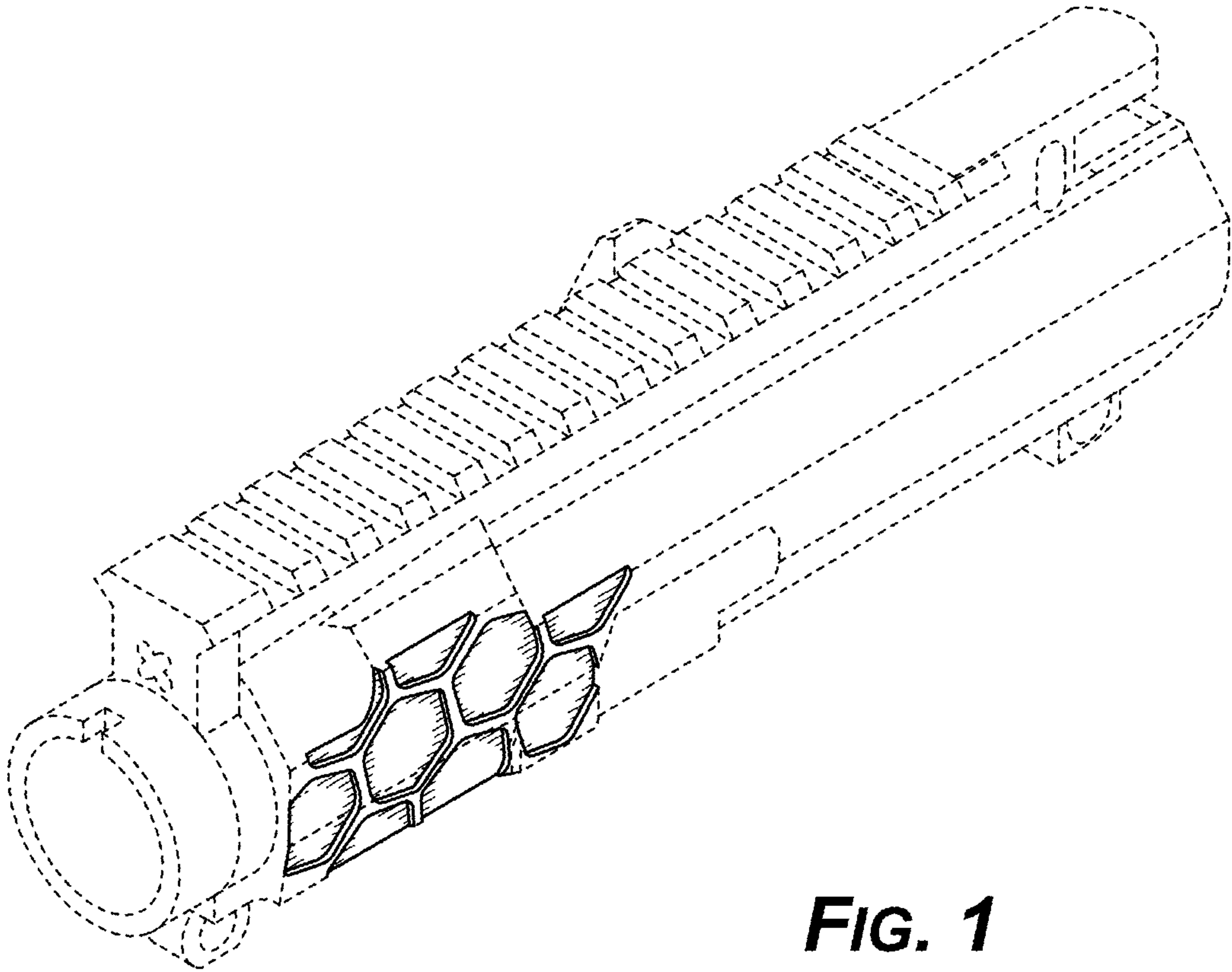


FIG. 1

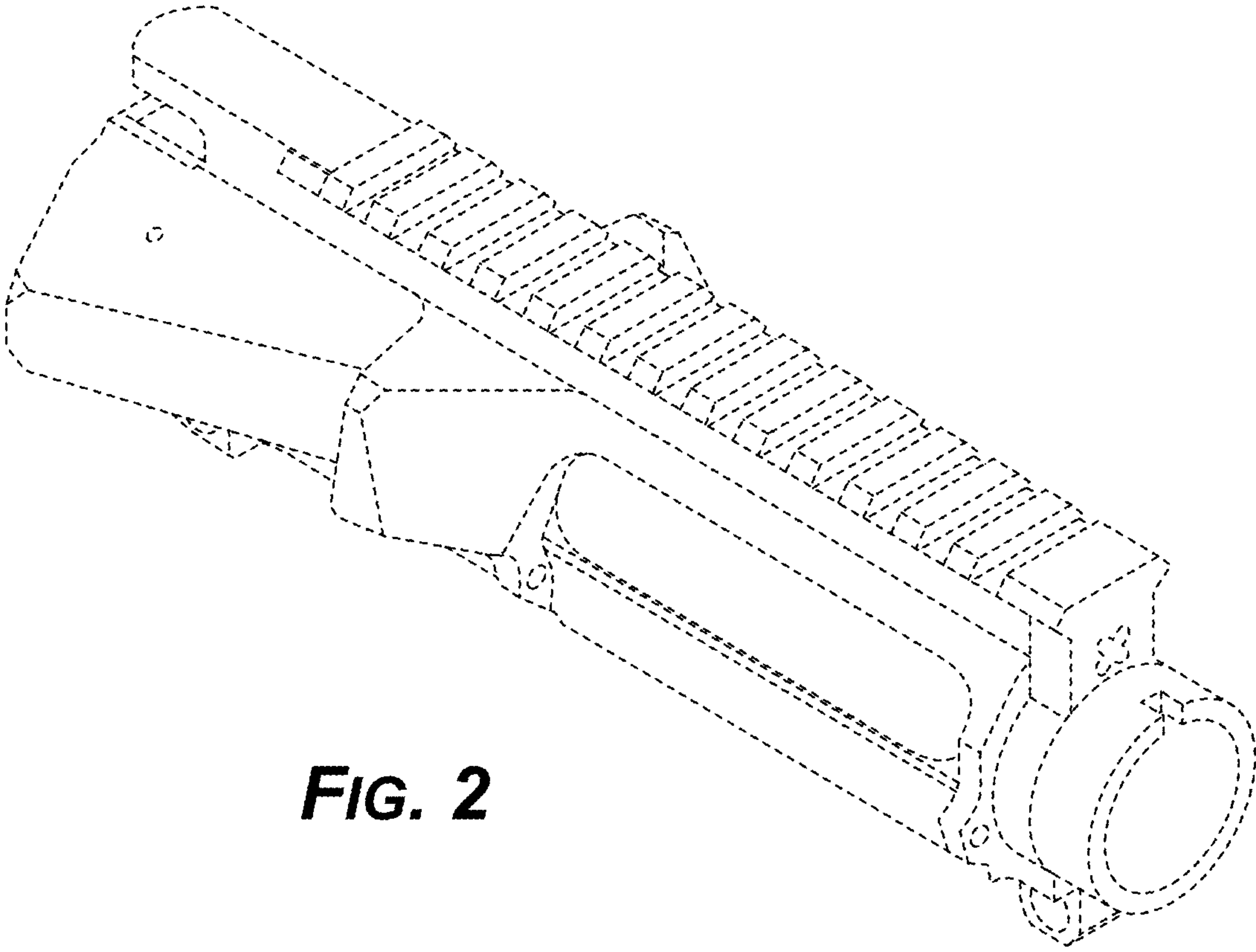


FIG. 2

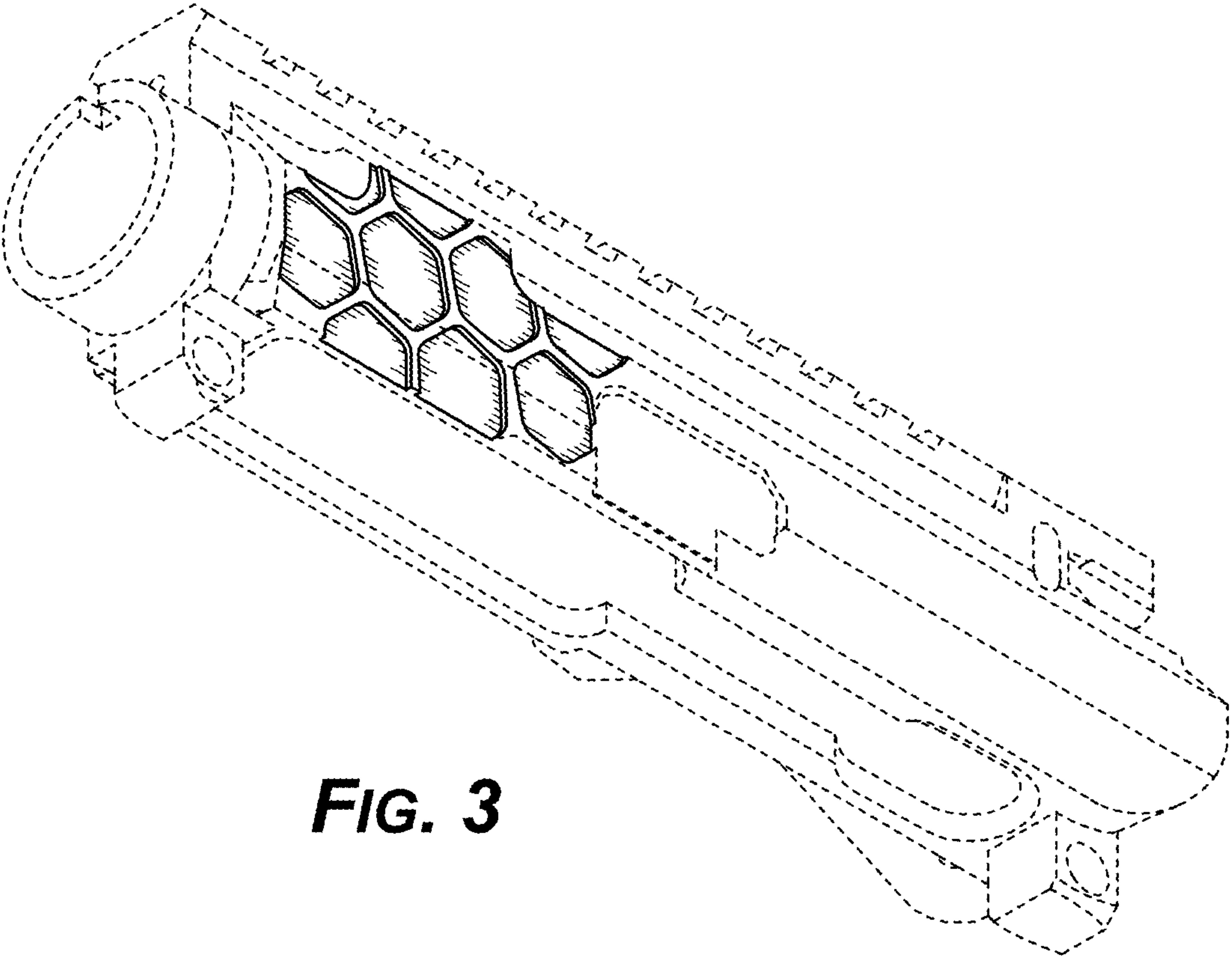


FIG. 3

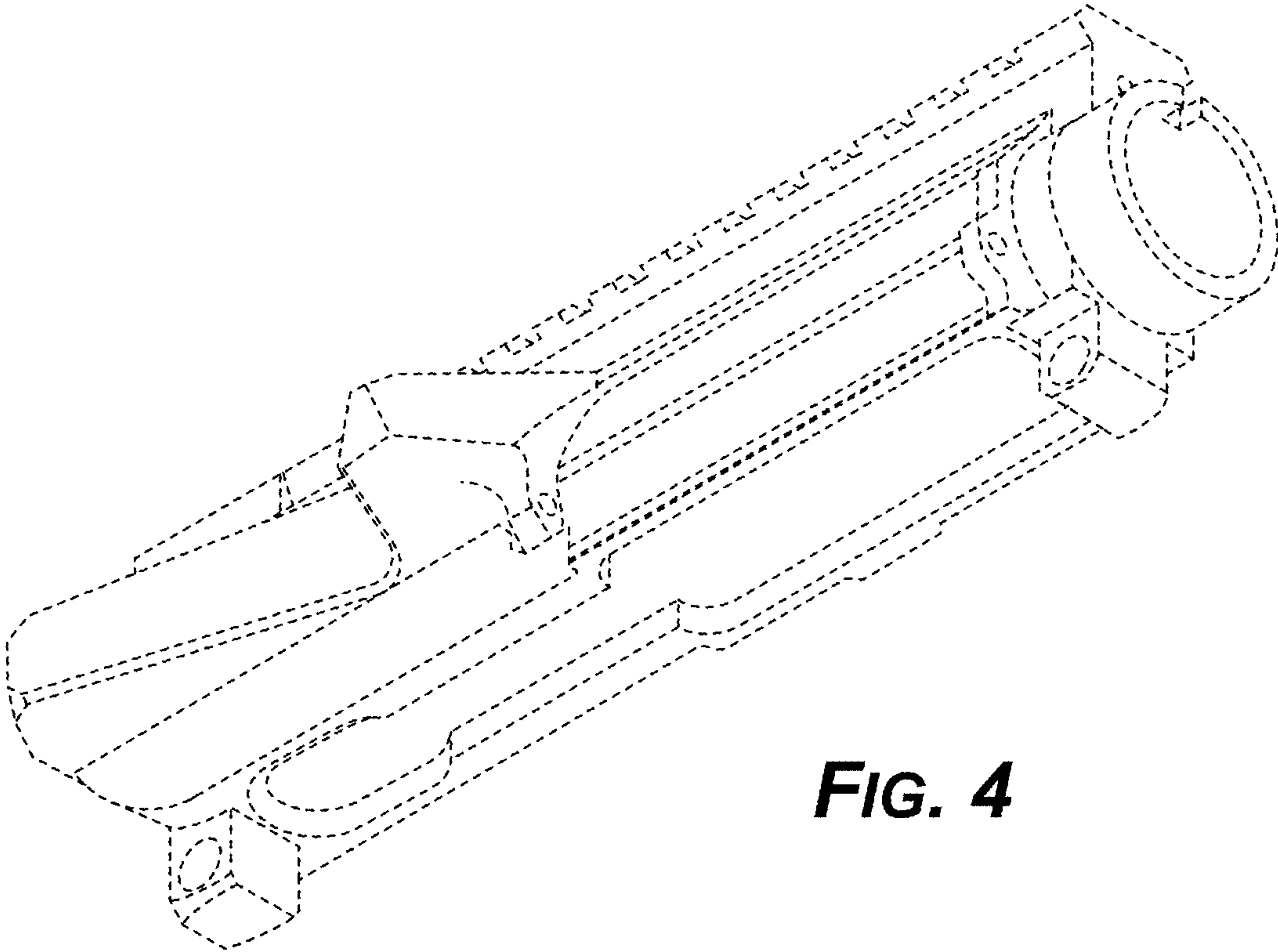


FIG. 4

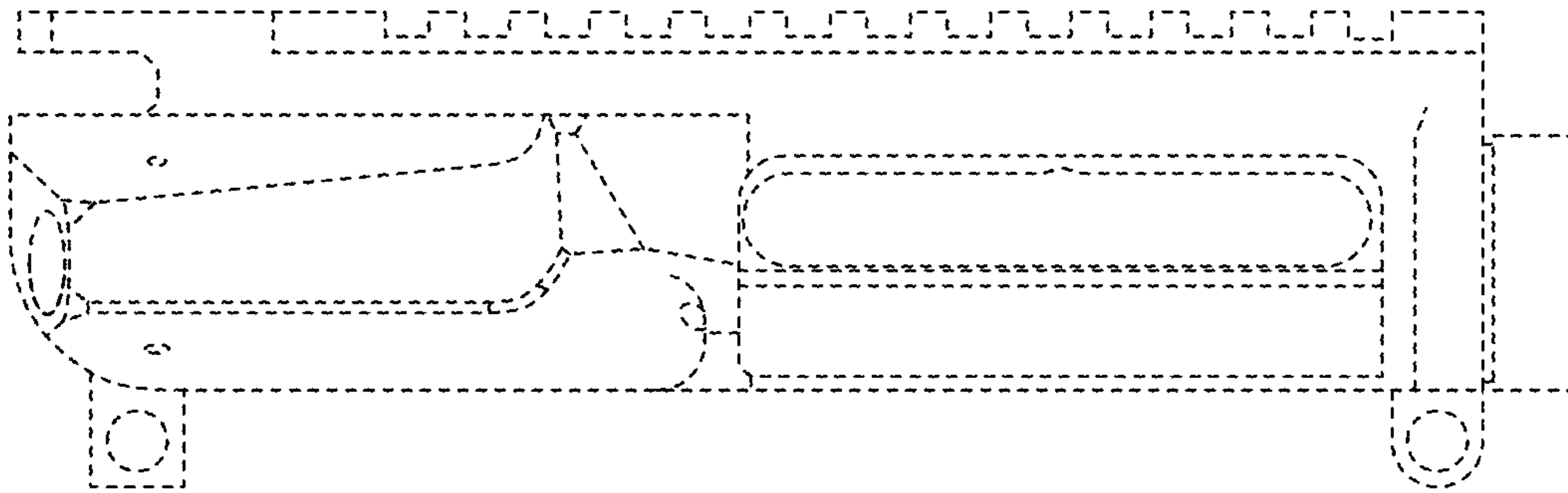


FIG. 5

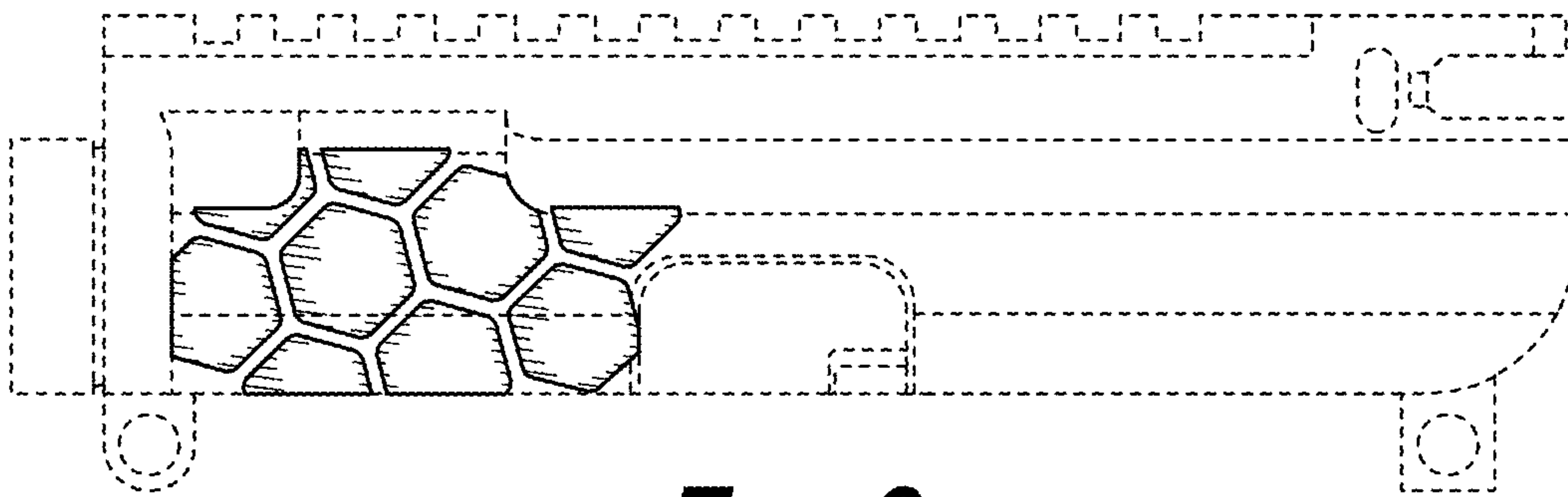


FIG. 6

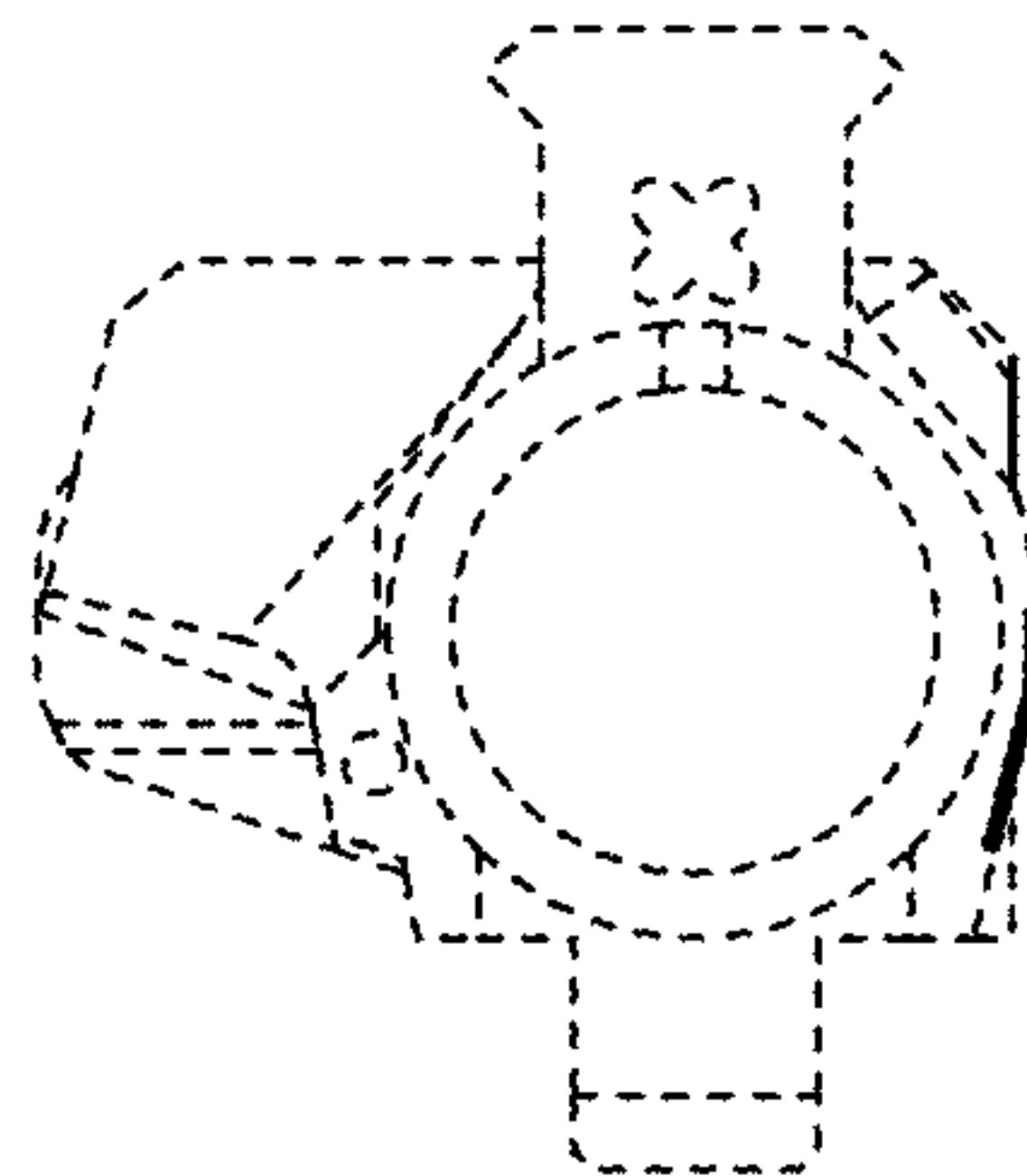


FIG. 7