

US00D832968S

(12) **United States Design Patent** (10) **Patent No.:** **US D832,968 S**
Martin (45) **Date of Patent:** **** Nov. 6, 2018**

(54) **PLAYGROUND STRUCTURE MODULE**

(71) Applicant: **Richard Martin**, Ontario (CA)

(72) Inventor: **Richard Martin**, Ontario (CA)

(**) Term: **15 Years**

(21) Appl. No.: **29/601,015**

(22) Filed: **Apr. 18, 2017**

(51) **LOC (11) Cl.** **21-02**

(52) **U.S. Cl.**
USPC **D21/826**

(58) **Field of Classification Search**
USPC D21/811, 814, 826-827
CPC A63B 9/00; A63B 69/0048; A63B 17/00;
A63B 17/02
See application file for complete search history.

(56) **References Cited**

U.S. PATENT DOCUMENTS

- 1,471,465 A * 10/1923 Hinton A63B 9/00
482/36
- 1,488,244 A * 3/1924 Hinton A63B 9/00
482/36
- 2,126,636 A * 8/1938 Horne A63B 9/00
482/36
- 5,125,877 A * 6/1992 Brewer A63B 69/0048
482/37
- D361,818 S * 8/1995 Von Parrish D21/826
- D370,045 S * 5/1996 Derbecker D21/826
- 5,820,471 A * 10/1998 Briggs A63B 9/00
472/128
- 5,853,332 A * 12/1998 Briggs A63B 9/00
472/128
- D410,271 S * 5/1999 Manus D21/826
- D411,604 S * 6/1999 Manus D21/826
- D426,609 S * 6/2000 Manus D21/826
- 6,083,142 A * 7/2000 Wilson A63B 69/0048
280/DIG. 8

- D472,954 S * 4/2003 Kohler D21/826
 - 6,551,216 B2 * 4/2003 Rennex A63B 7/04
482/35
 - D478,144 S * 8/2003 Fredriksson D21/826
 - D493,504 S * 7/2004 Byrd D21/827
 - D495,392 S * 8/2004 Byrd D21/827
 - D496,088 S * 9/2004 Byrd D21/827
 - D496,423 S * 9/2004 Byrd D21/827
 - 6,849,031 B2 * 2/2005 Paci A63B 69/0048
482/35
 - D515,166 S * 2/2006 Montfort A63B 9/00
D21/826
 - D518,137 S * 3/2006 Byrd D21/827
 - D521,099 S * 5/2006 Byrd D21/827
- (Continued)

Primary Examiner — Mitchell I. Siegel
(74) *Attorney, Agent, or Firm* — Abelman, Frayne & Schwab

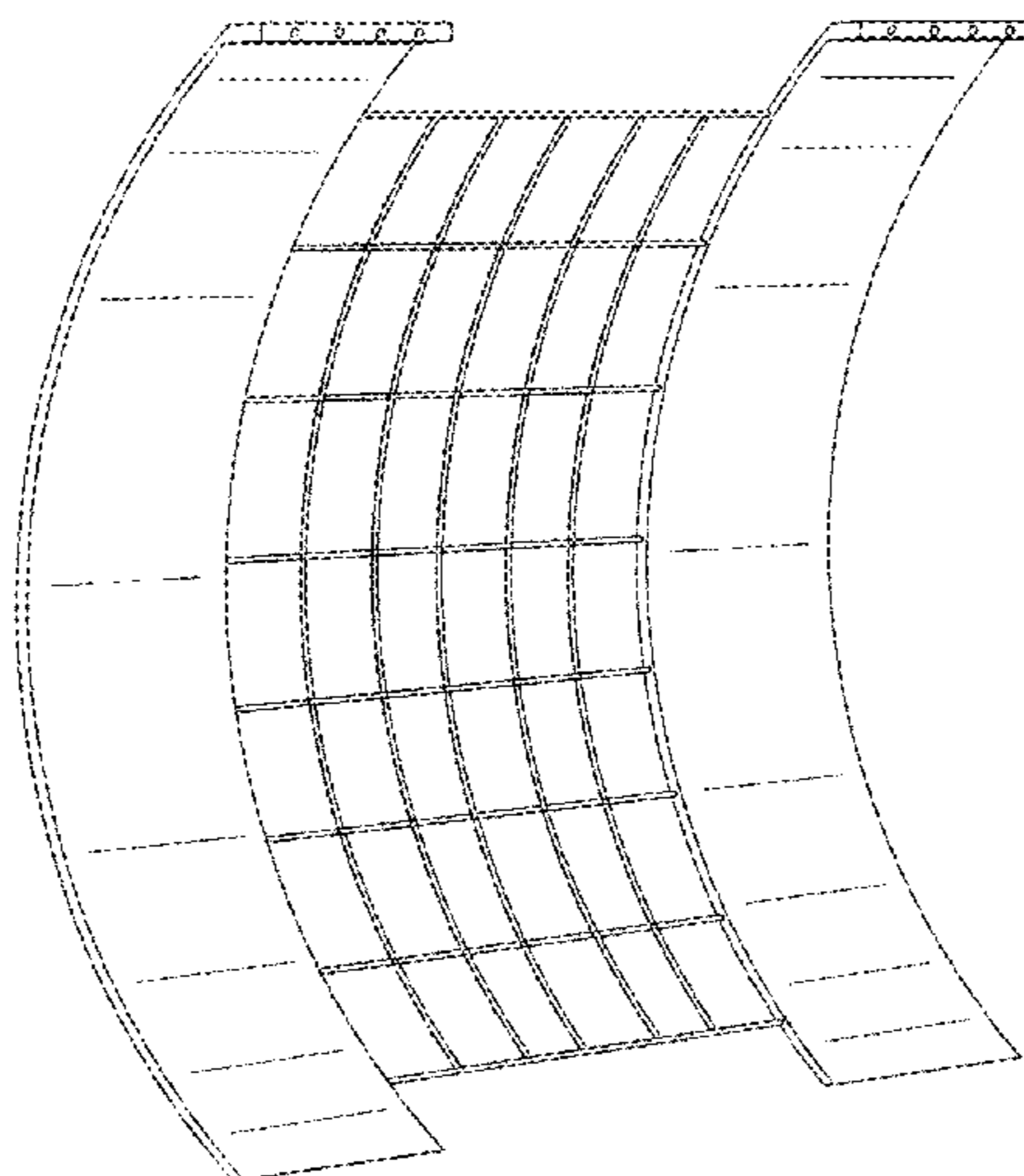
(57) **CLAIM**

The ornamental design for a playground structure module, as shown and described.

DESCRIPTION

FIG. 1 is a front perspective view of a playground structure module, according to the present invention;
FIG. 2 is a top view thereof;
FIG. 3 is a bottom view thereof;
FIG. 4 is a front view thereof;
FIG. 5 is a rear view thereof;
FIG. 6 is a left side view thereof;
FIG. 7 is a right side view thereof;
FIG. 8 is a rear perspective view thereof, showing unclaimed mounting holes; and,
FIG. 9 is a rear perspective view thereof, showing unclaimed handhold and foothold features.
The broken lines showing of the mounting holes, handholds, and footholds for illustrative purposes only and forms no part of the claimed design.

1 Claim, 7 Drawing Sheets



(56)

References Cited

U.S. PATENT DOCUMENTS

7,056,266	B2 *	6/2006	Sudeith	A63B 69/0048 482/37
D536,407	S *	2/2007	Nye	D21/818
D536,410	S *	2/2007	Nye	D21/822
D538,878	S *	3/2007	Kearl	D21/827
D554,227	S *	10/2007	Yates	D21/826
7,563,202	B1 *	7/2009	Sudeith	A63B 69/0048 482/37
D615,607	S *	5/2010	Hwang	D21/826
D616,519	S *	5/2010	Hwang	D21/826
D620,066	S *	7/2010	Kohler	D21/826
D632,355	S *	2/2011	Kohler	D21/826
8,038,581	B1 *	10/2011	Sudeith	A63B 69/0048 482/37
D673,236	S *	12/2012	Roberts	D21/827
D690,382	S *	9/2013	Kopp	D21/822
D729,334	S *	5/2015	Scott	D21/826
D731,611	S *	6/2015	Klein	D21/826
D761,371	S *	7/2016	Feiereisen	D21/826
D795,970	S *	8/2017	McMaster	D21/662
D809,619	S *	2/2018	Jackson	D21/826
D814,589	S *	4/2018	Eroglu	D21/826
2007/0082791	A1 *	4/2007	Reese	A63B 9/00 482/37

* cited by examiner

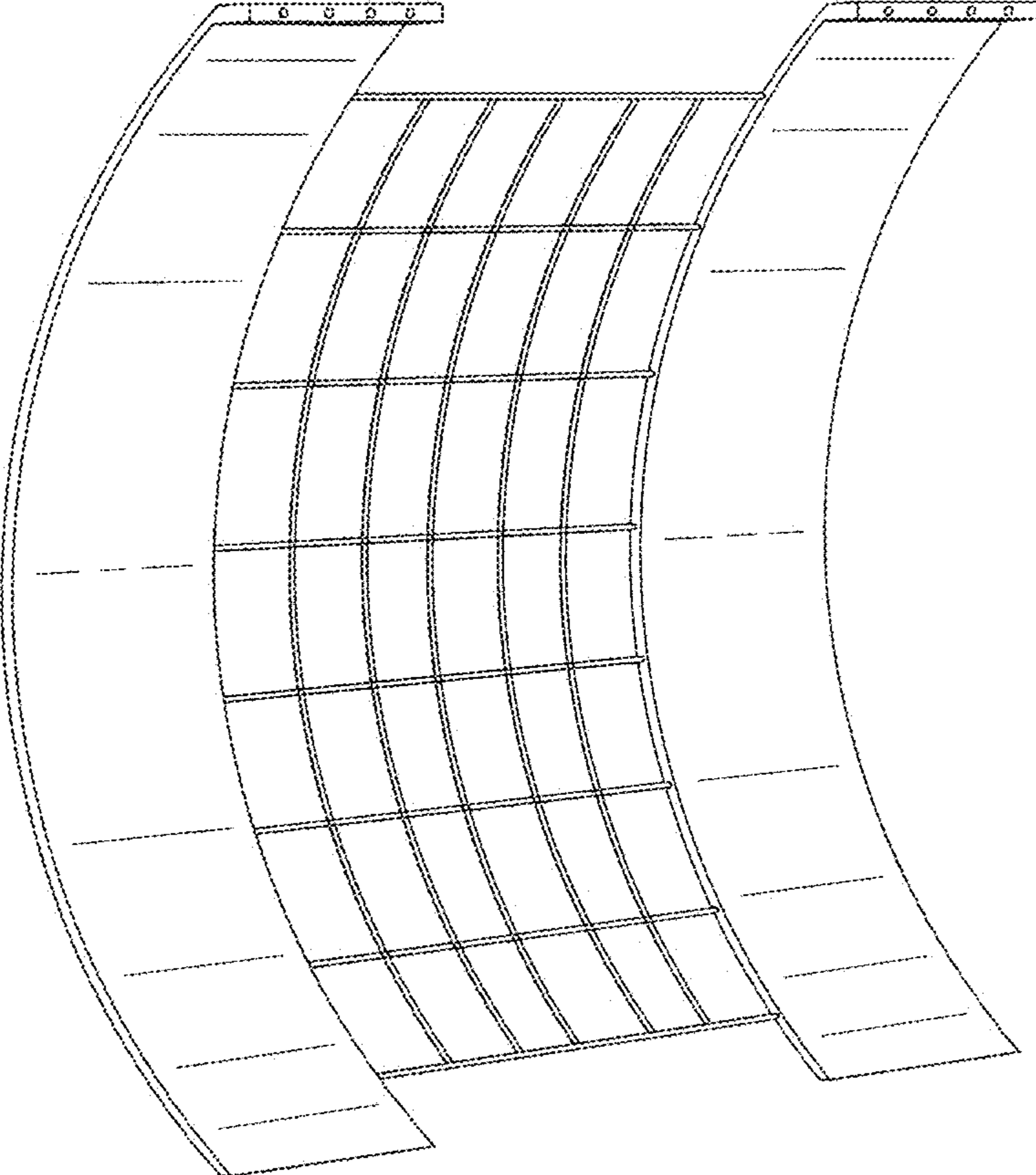


FIG. 1

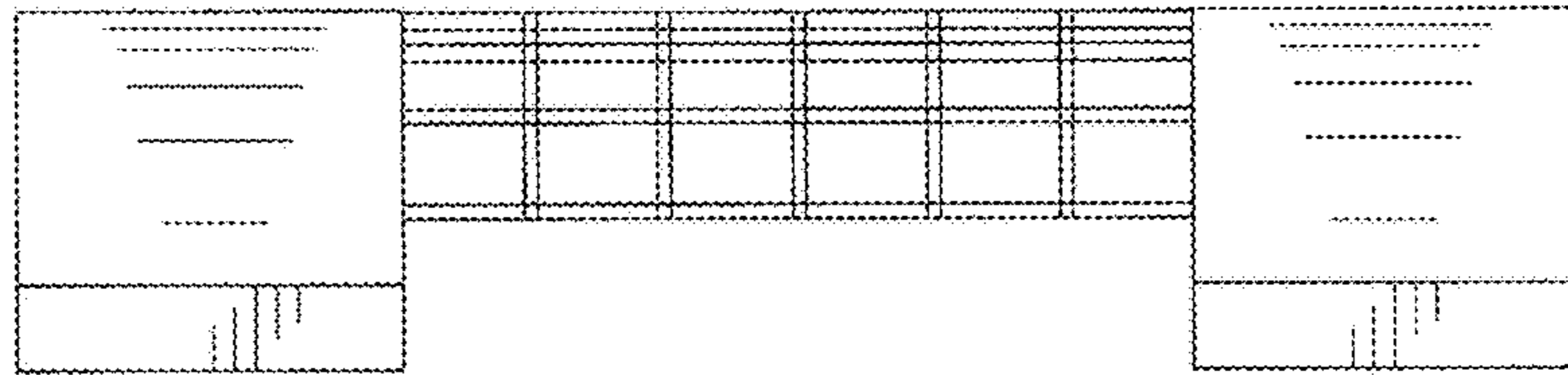


FIG. 2

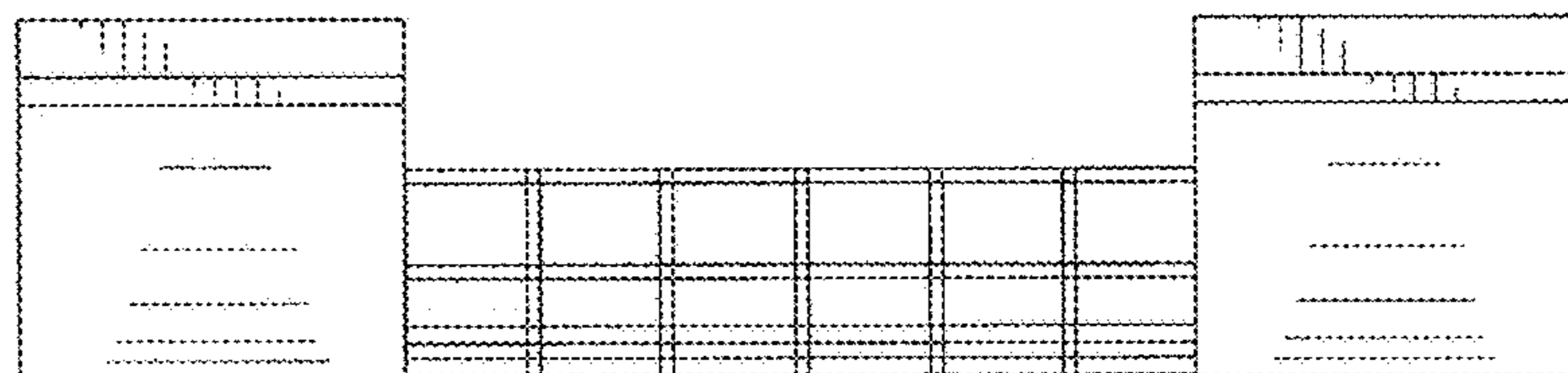


FIG. 3

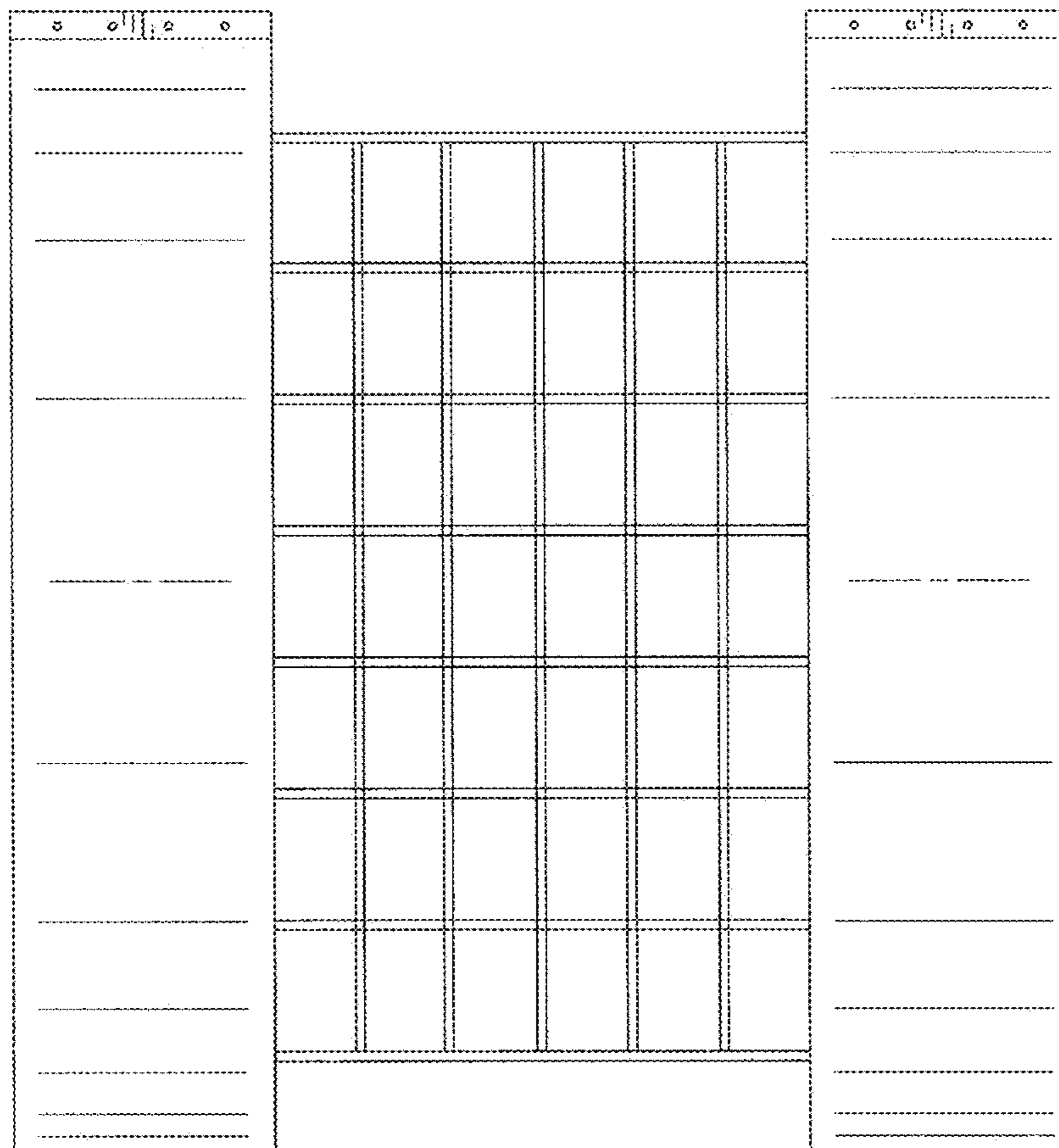


FIG. 4

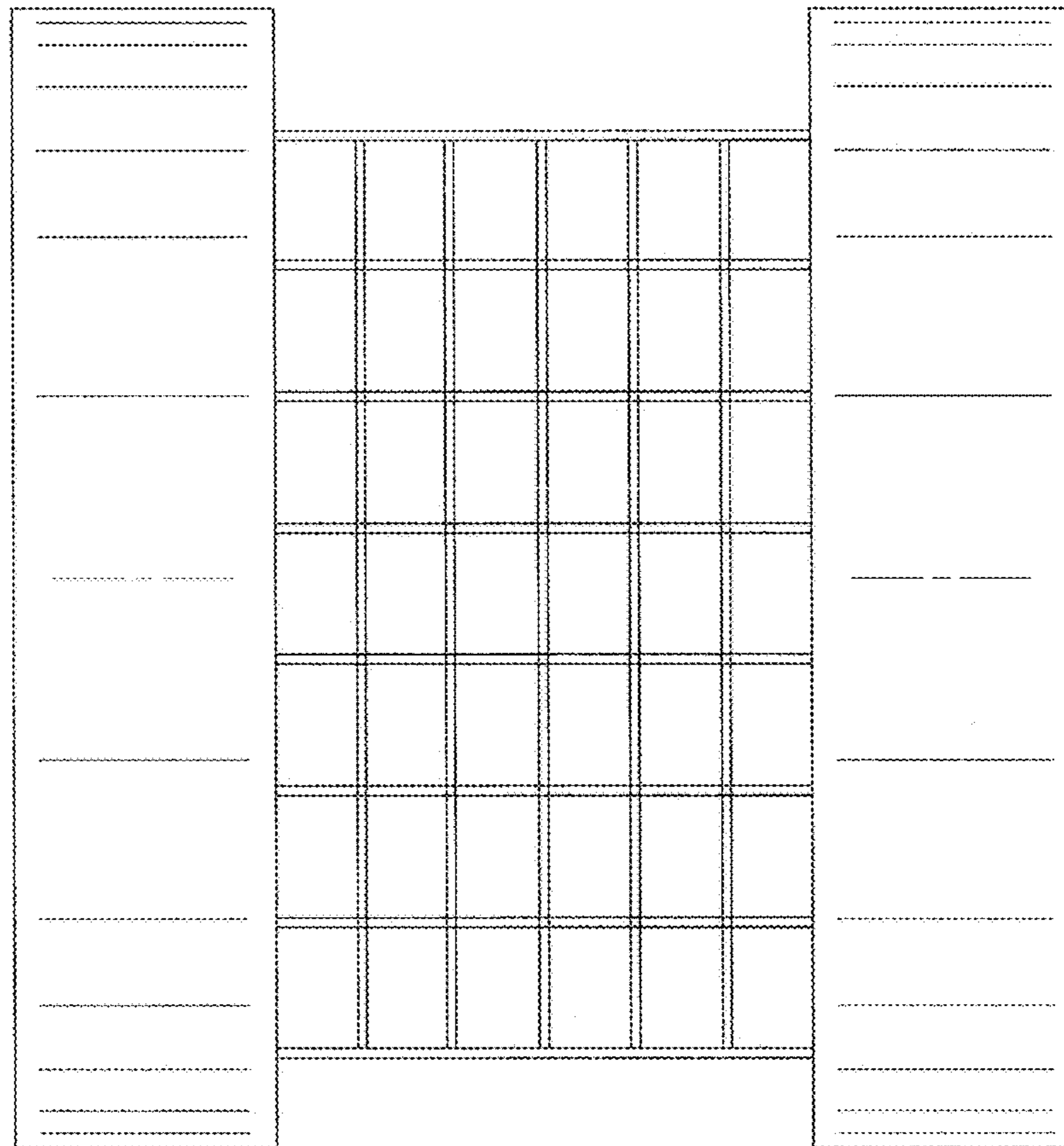


FIG. 5

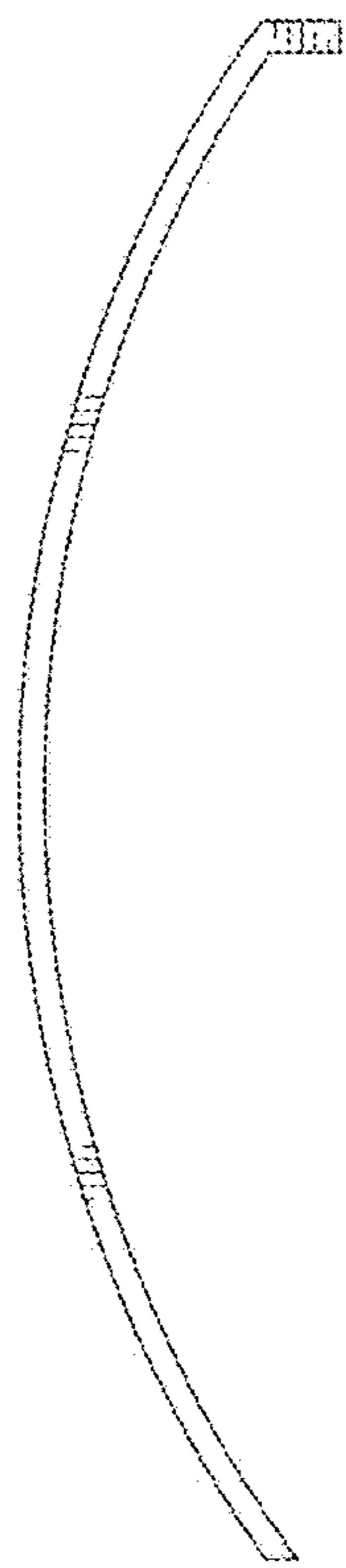


FIG. 6

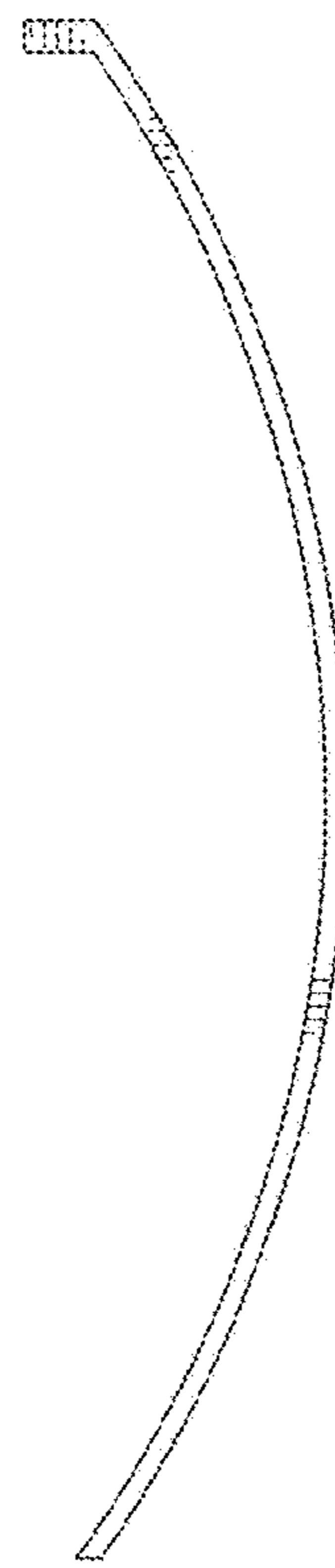


FIG. 7

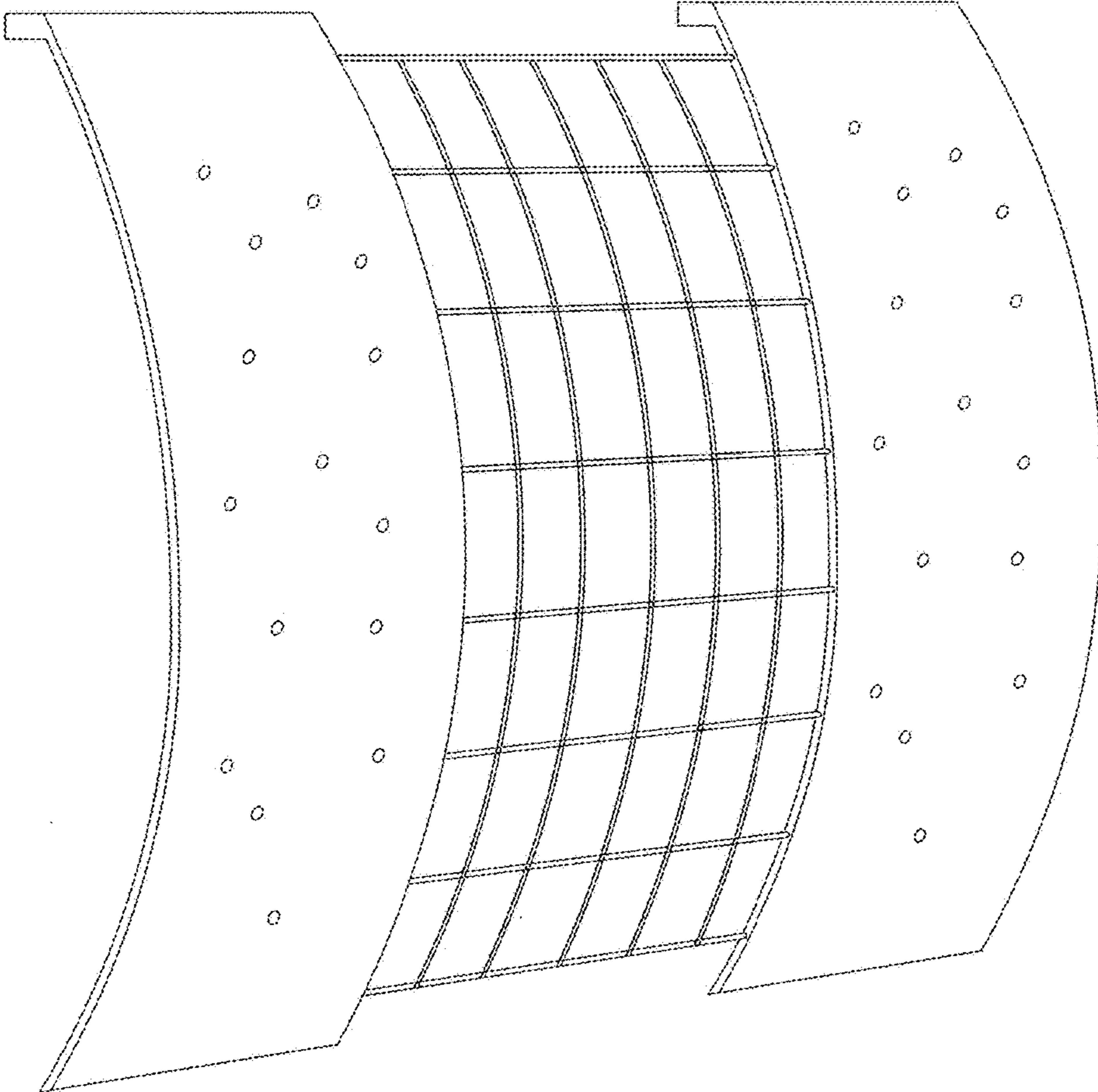


FIG. 8

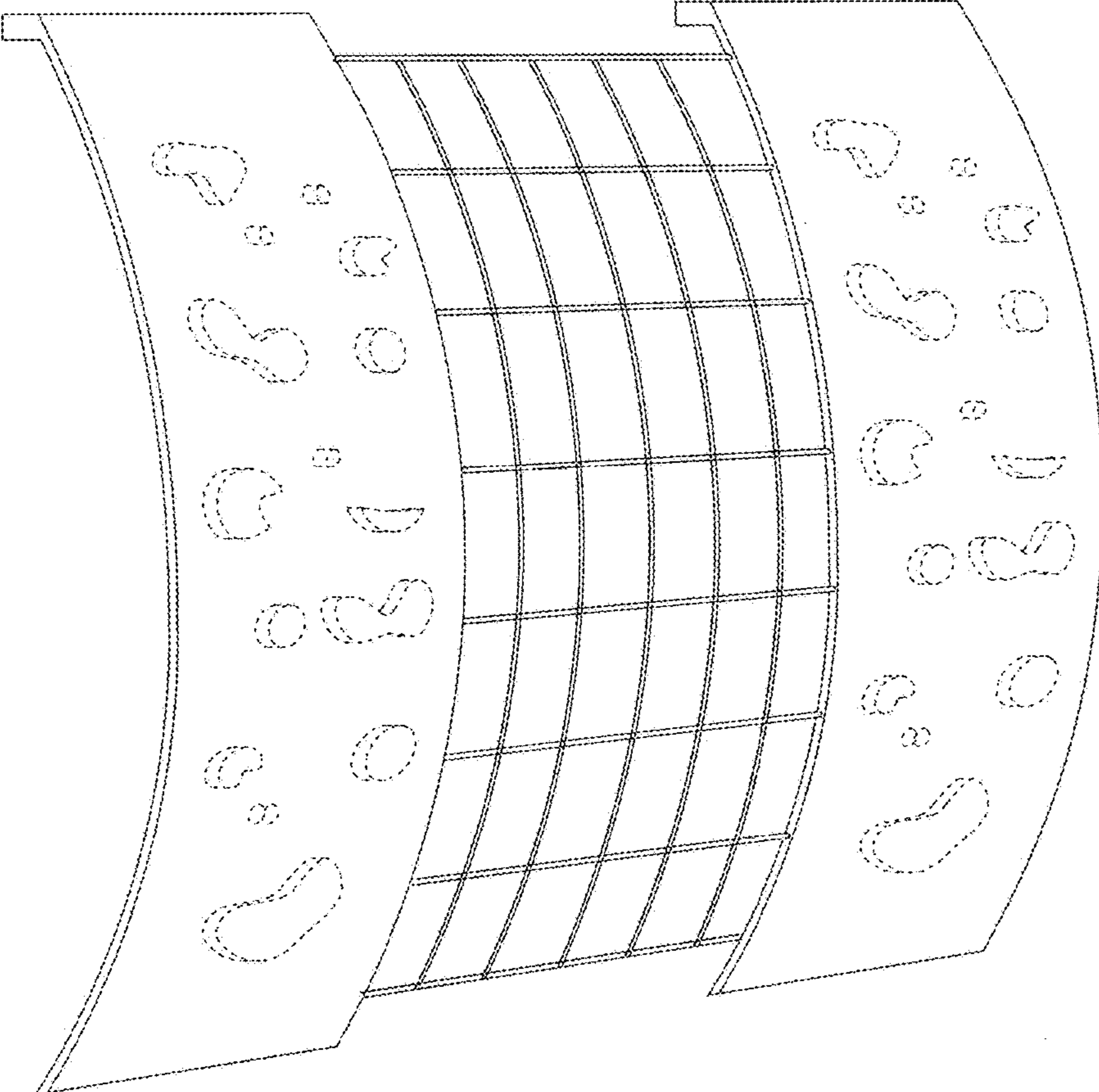


FIG. 9