



US00D832966S

(12) **United States Design Patent** (10) **Patent No.:** **US D832,966 S**  
**Nelson et al.** (45) **Date of Patent:** **\*\* Nov. 6, 2018**

(54) **SLIDE AND LADDER ASSEMBLY**

FOREIGN PATENT DOCUMENTS

(71) Applicants: **Trena Nelson**, Kuna, ID (US); **Andrew Richard Nelson**, Kuna, ID (US)

CN 204017245 U 12/2014

(72) Inventors: **Trena Nelson**, Kuna, ID (US); **Andrew Richard Nelson**, Kuna, ID (US); **Daniel Snow**, Provo, UT (US)

OTHER PUBLICATIONS

Internet images for various slide products, Mar. 11, 2016.

(73) Assignees: **Trena Nelson**, Kuna, ID (US); **Andrew Richard Nelson**, Kuna, ID (US)

*Primary Examiner* — Mitchell I. Siegel

(74) *Attorney, Agent, or Firm* — Pedersen and Company, PLLC; Ken J. Pedersen; Barbara S. Pedersen

(\*\*) Term: **15 Years**

(57) **CLAIM**

The ornamental design for a slide and ladder assembly, as shown and described.

(21) Appl. No.: **29/613,576**

(22) Filed: **Aug. 11, 2017**

**DESCRIPTION**

(51) **LOC (11) Cl.** ..... **21-03**

(52) **U.S. Cl.**  
USPC ..... **D21/818**

(58) **Field of Classification Search**  
USPC ..... D21/811, 814, 818–822  
CPC ..... A63G 21/00–21/22  
See application file for complete search history.

FIG. 1 is a front perspective view of the slide and ladder assembly design.

FIG. 2 is a rear perspective view of the slide and ladder assembly design of FIG. 1.

FIG. 3 is a front view of the slide and ladder assembly design of FIG. 1.

FIG. 4 is a rear view of the slide and ladder assembly design of FIG. 1.

FIG. 5 is a right side view of the slide and ladder assembly design of FIG. 1.

FIG. 6 is a left side view of the slide and ladder assembly design of FIG. 1.

FIG. 7 is a top view of the slide and ladder assembly design of FIG. 1; and,

FIG. 8 is a bottom view of the slide and ladder assembly design of FIG. 1.

The broken line showing of texture on the ladder stair-step top surfaces in FIGS. 1, 2, 4, and 7, a broken line protrusion centrally located on the rear surface of the slide in FIGS. 2, 4-6, and 8, and a broken line protrusion on the forward edge of each of the ladder side-rails in FIGS. 3, 5, 6, and 8 is included for the purpose of illustrating and forms no part of the claimed design.

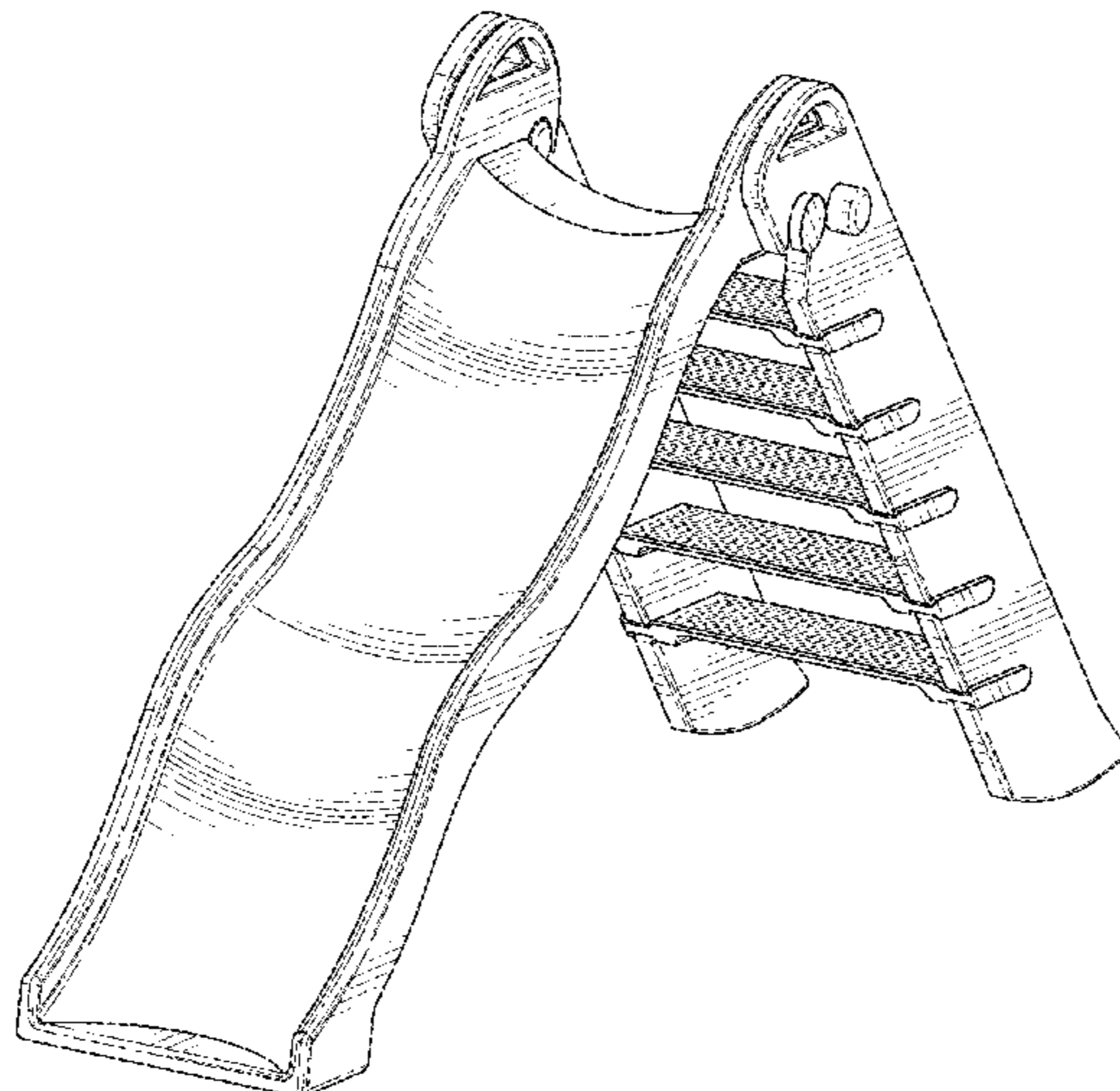
(56) **References Cited**

U.S. PATENT DOCUMENTS

909,480	A *	1/1909	Tohill	.....	A63G 21/00
					472/116
1,161,098	A *	11/1915	Willour	.....	A63G 21/00
					472/116
1,573,987	A	2/1926	West		
1,680,753	A *	8/1928	Thornton	.....	A63G 21/00
					472/116
1,789,885	A *	1/1931	Skinner	.....	B65G 11/026
					472/116
D83,716	S *	3/1931	Berman	.....	D21/818
1,914,555	A *	6/1933	Connelly	.....	A63G 9/00
					D21/822
2,012,195	A *	8/1935	Husted	.....	A63G 21/00
					472/116
D150,400	S *	8/1948	Bowden et al.	.....	D21/822

(Continued)

**1 Claim, 8 Drawing Sheets**



(56)

References Cited

U.S. PATENT DOCUMENTS

2,461,345 A \* 2/1949 Packer ..... A63G 21/02  
472/116  
2,465,187 A \* 3/1949 Barrabee ..... A63G 21/02  
472/116  
2,620,185 A \* 12/1952 Harding ..... A63B 9/00  
472/116  
D180,801 S \* 8/1957 Overton ..... D21/818  
D201,812 S \* 8/1965 Bontempi ..... D21/818  
3,263,994 A \* 8/1966 Londgren ..... A63G 21/00  
472/116  
D207,105 S \* 3/1967 Gale ..... D21/818  
D213,505 S \* 3/1969 Wormser ..... D21/820  
D213,508 S \* 3/1969 Wormser ..... D21/820  
D214,326 S \* 6/1969 Wormser ..... D21/818  
D218,625 S \* 9/1970 Welsey ..... D21/821  
D221,963 S \* 9/1971 Henning ..... D21/821  
D227,382 S \* 6/1973 Wormser ..... D21/821  
3,755,878 A \* 9/1973 Henning ..... A63G 21/00  
472/116  
D244,704 S \* 6/1977 Smyrni ..... D21/818  
D260,543 S \* 9/1981 Ament ..... D21/820  
D262,230 S \* 12/1981 Ament ..... D21/820  
D273,503 S \* 4/1984 Mariol ..... D21/818  
D281,985 S \* 12/1985 Spirk, Jr. .... D21/818  
D284,021 S \* 5/1986 Addleman ..... D21/818  
D285,224 S \* 8/1986 Olsen ..... D21/493  
D294,378 S \* 2/1988 Spirk, Jr. .... D21/820

D314,996 S \* 2/1991 Olsen ..... D21/493  
D321,922 S \* 11/1991 Basore ..... D21/820  
D327,937 S \* 7/1992 Douglass ..... D21/818  
D340,101 S \* 10/1993 Ingold ..... D21/818  
D340,102 S \* 10/1993 Warren ..... D21/818  
D357,300 S \* 4/1995 Maynard ..... D21/820  
D358,627 S \* 5/1995 Monneret ..... D21/815  
D363,521 S \* 10/1995 Gilles ..... D21/818  
D367,309 S \* 2/1996 van Huystee ..... D21/818  
D368,759 S \* 4/1996 Fuligni ..... D21/818  
D378,395 S \* 3/1997 Olson ..... D21/820  
D380,248 S \* 6/1997 Morris ..... D21/820  
5,810,695 A 9/1998 Sass  
D428,959 S \* 8/2000 Addleman ..... D21/820  
D429,306 S \* 8/2000 Addleman ..... D21/818  
D441,825 S \* 5/2001 Han ..... D21/820  
D458,661 S \* 6/2002 Catelli ..... D21/820  
D471,946 S \* 3/2003 Hagerty ..... D21/821  
D472,292 S \* 3/2003 Peterson ..... D21/818  
D540,413 S \* 4/2007 McKee ..... D21/818  
7,481,741 B1 1/2009 Sammann et al.  
D601,220 S 9/2009 Sammann et al.  
7,662,045 B2 2/2010 Sammann et al.  
D647,587 S \* 10/2011 Perlman ..... D21/818  
D693,418 S \* 11/2013 Tukker ..... D21/818  
D693,419 S \* 11/2013 Tukker ..... D21/818  
8,597,132 B2 12/2013 Brown et al.  
D752,154 S \* 3/2016 Wai Shing ..... D21/412  
2003/0196580 A1 10/2003 Broderick et al.

\* cited by examiner

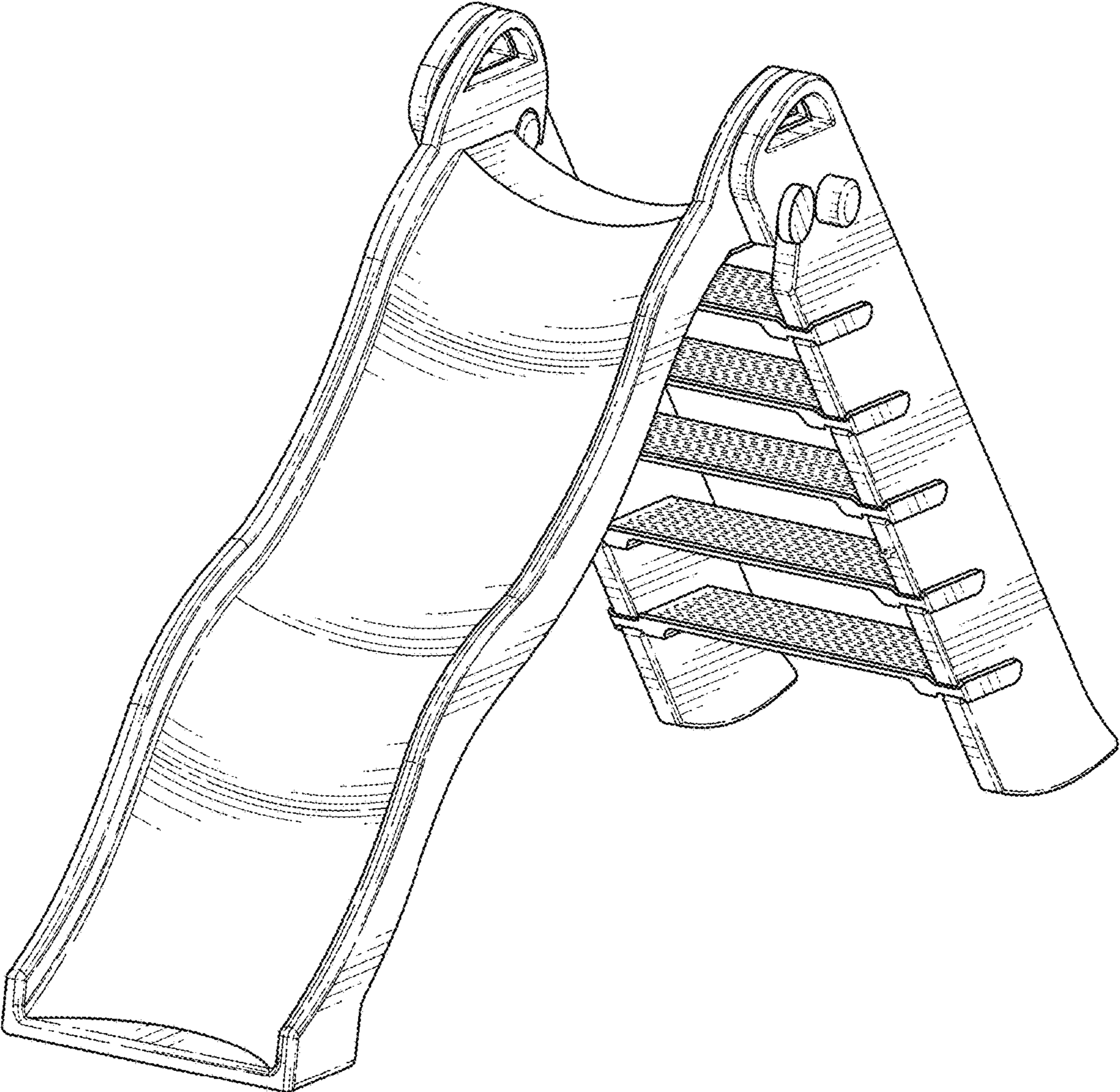


FIG. 1

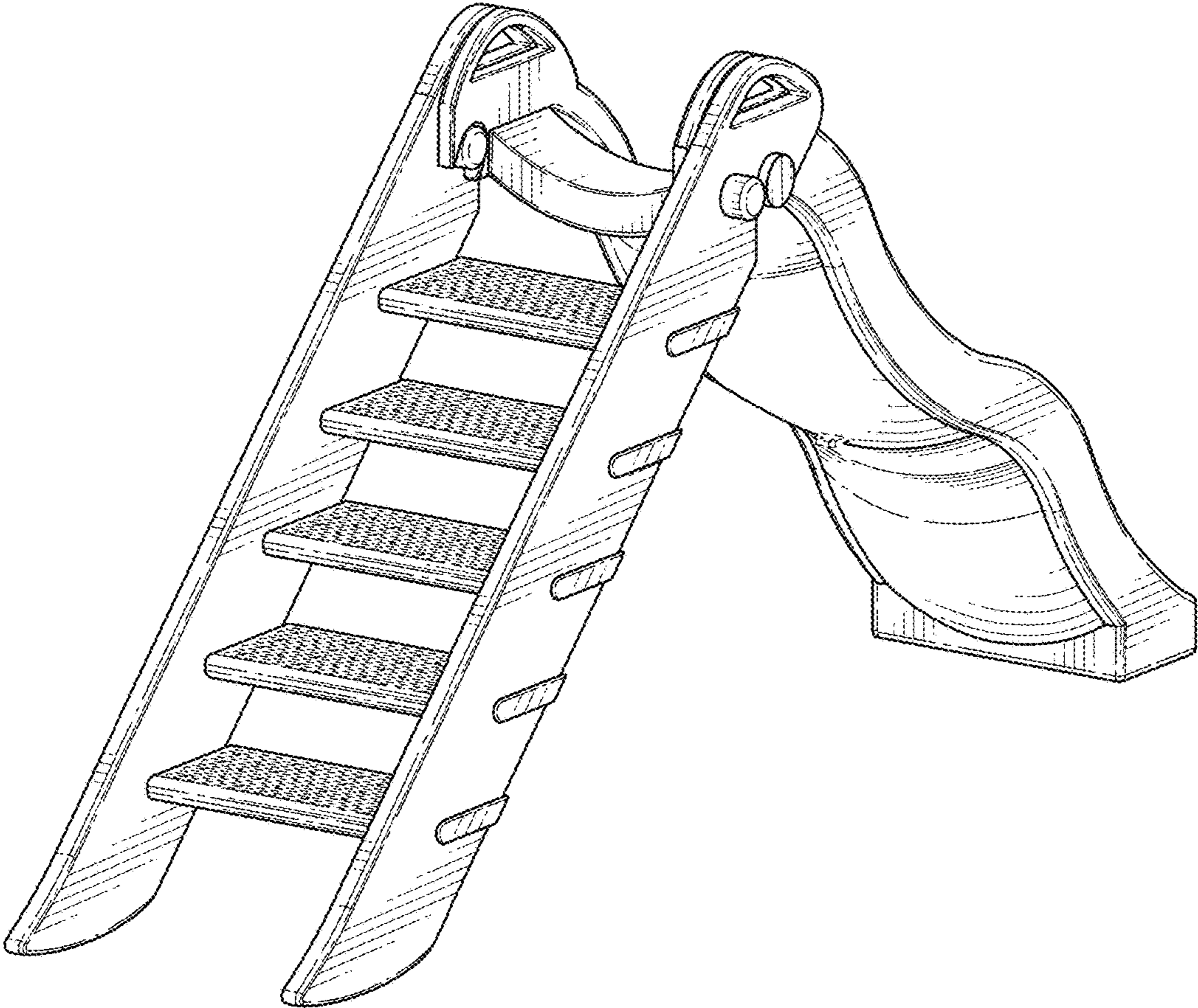


FIG. 2

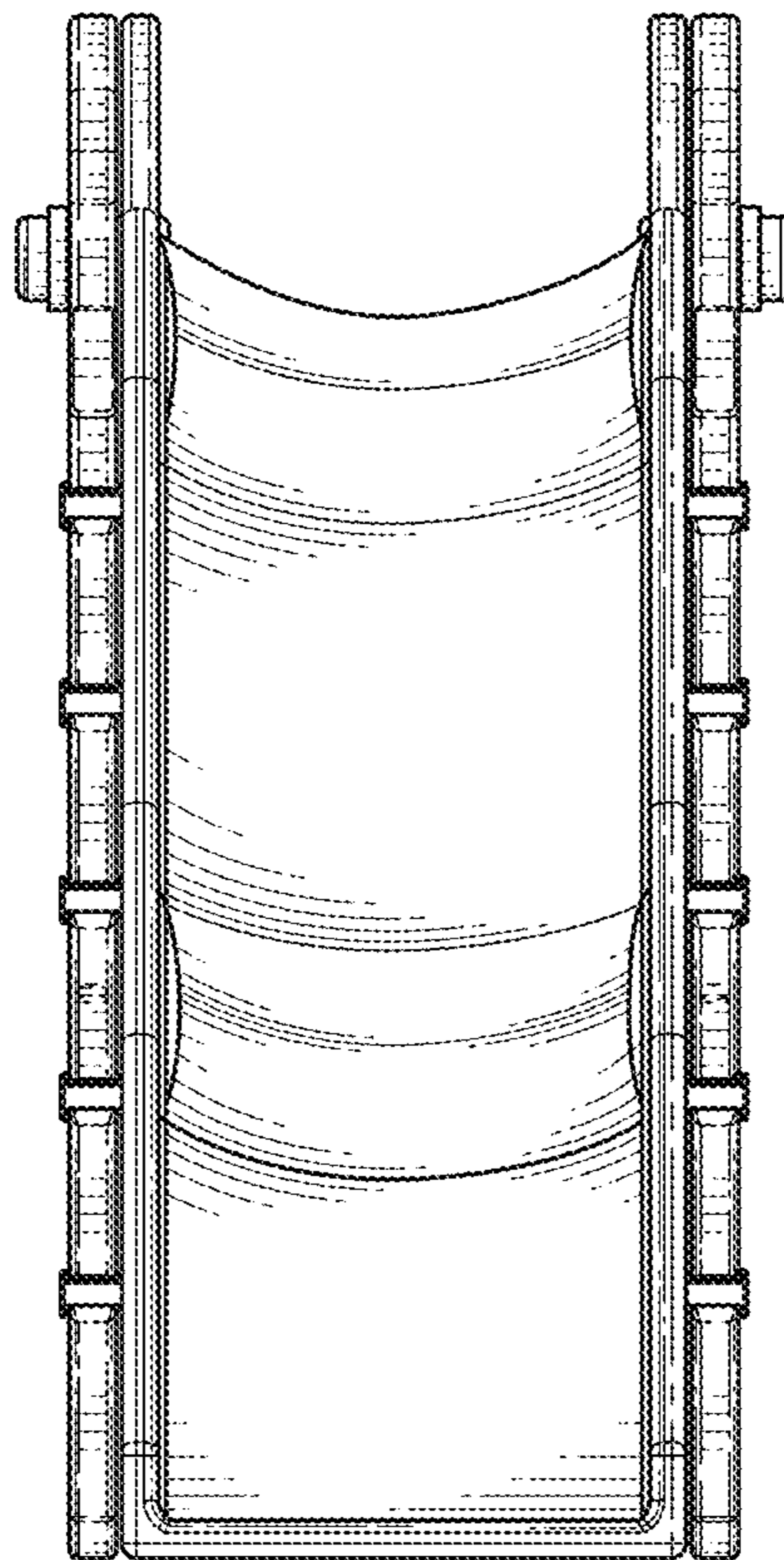


FIG. 3

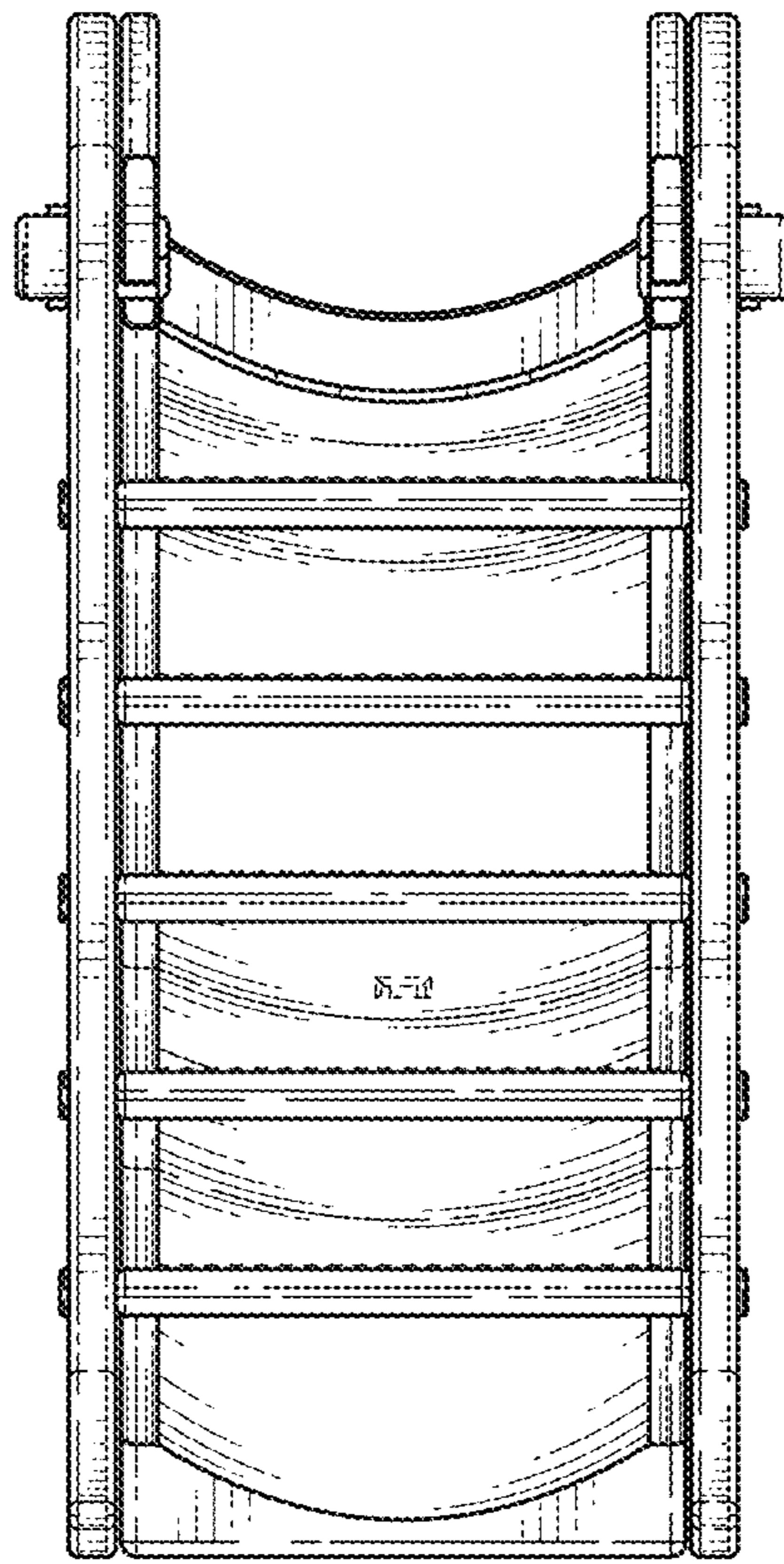


FIG. 4

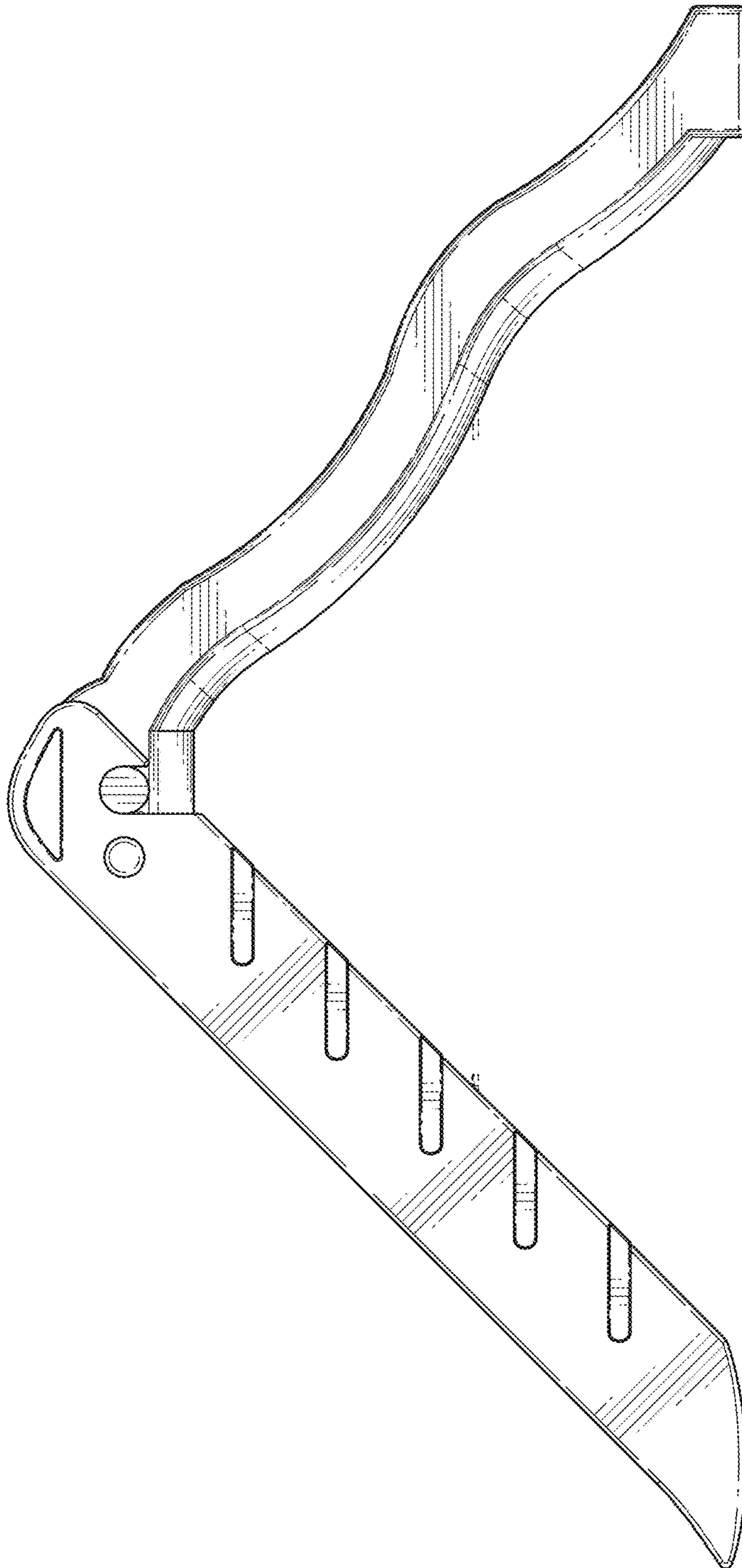


FIG. 5

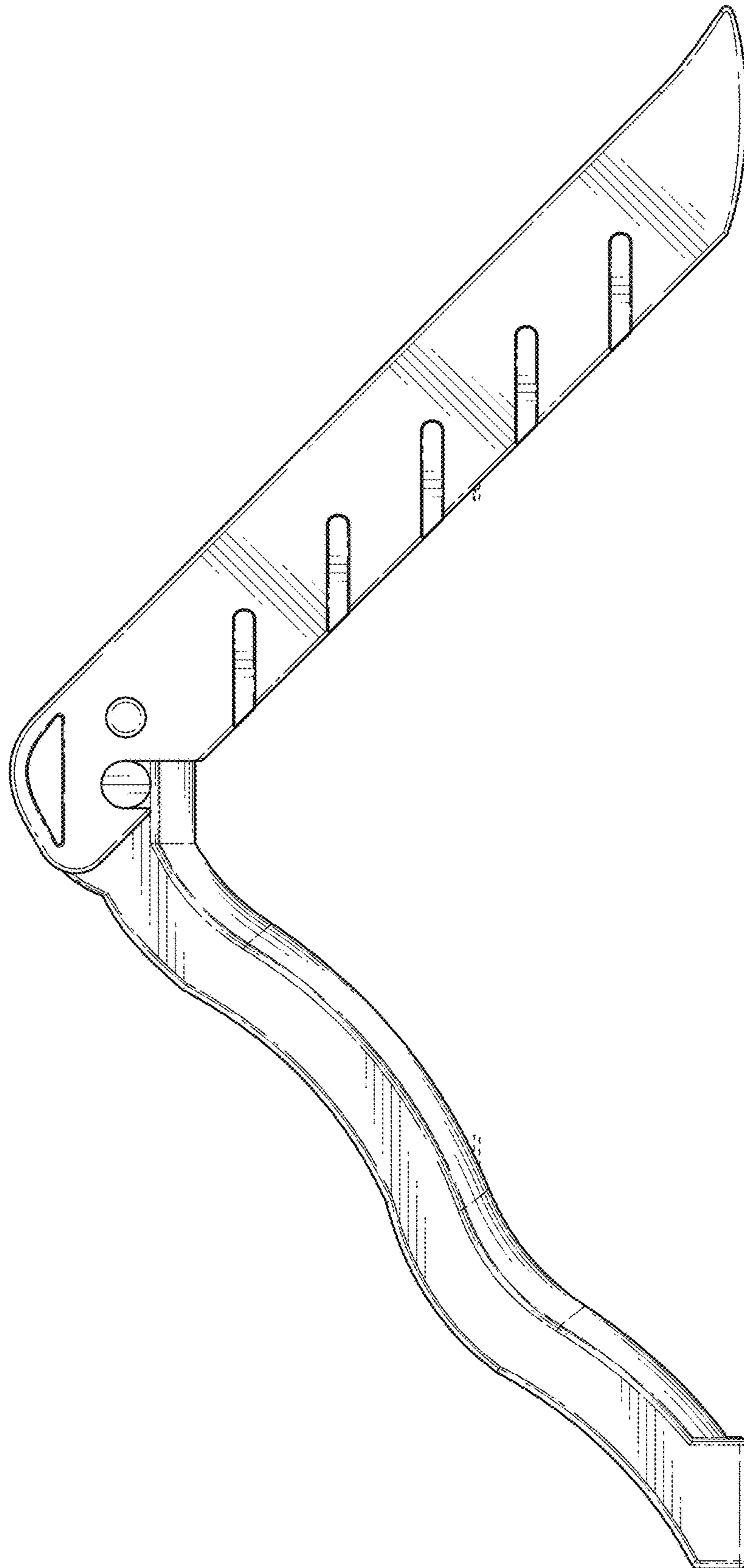


FIG. 6



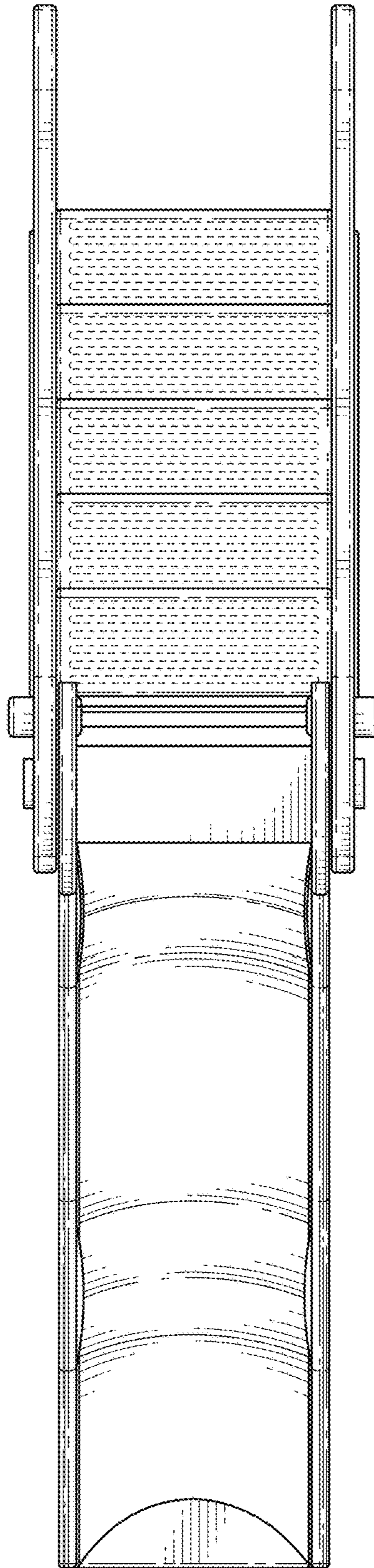


FIG. 7

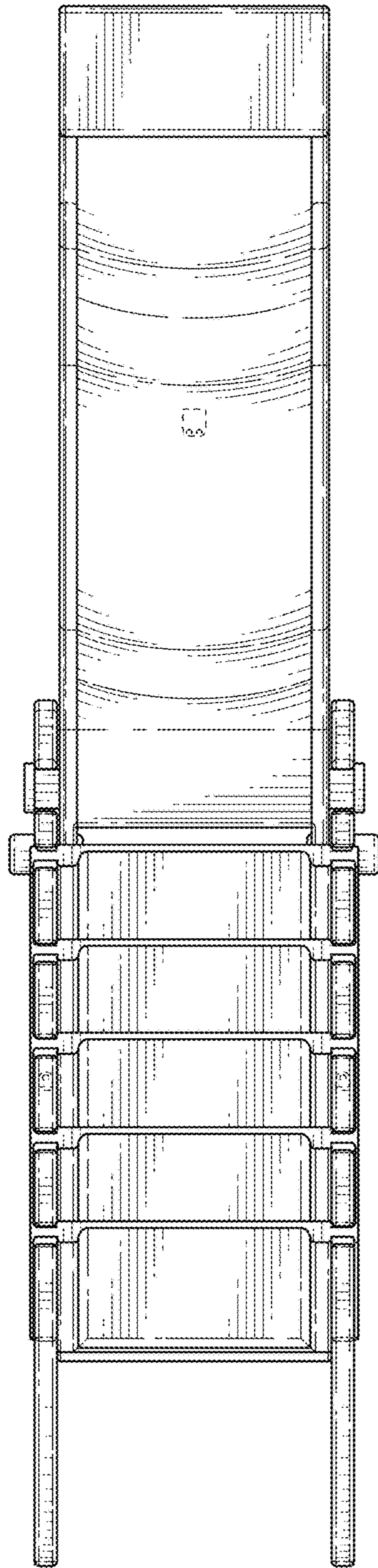


FIG. 8