



US00D832965S

(12) **United States Design Patent** (10) **Patent No.:** **US D832,965 S**  
**Keller** (45) **Date of Patent:** **\*\* Nov. 6, 2018**

(54) **PLAY STRUCTURE**  
(71) Applicant: **Landscape Structures Inc.**, Delano, MN (US)  
(72) Inventor: **Thomas L. Keller**, Delano, MN (US)  
(73) Assignee: **Landscape Structures Inc.**, Delano, MN (US)  
(\*\*) Term: **15 Years**  
(21) Appl. No.: **29/588,876**  
(22) Filed: **Dec. 23, 2016**  
(51) **LOC (11) Cl.** ..... **21-03**  
(52) **U.S. Cl.**  
USPC ..... **D21/818**; D21/827  
(58) **Field of Classification Search**  
USPC ..... D21/811, 814, 818-827, 506, 507, 508, D21/511  
CPC . A63G 21/00-21/22; A63G 9/00-9/22; A63G 31/00; A63B 9/00; A63B 2009/006; A63B 17/00; A63B 17/02; A63H 33/008  
See application file for complete search history.

D271,037 S \* 10/1983 Gordon ..... D21/822  
D274,450 S \* 6/1984 Gordon ..... D21/822  
D277,222 S \* 1/1985 Mower ..... D21/822  
D281,447 S \* 11/1985 Gordon ..... D21/822  
D281,985 S \* 12/1985 Spirk, Jr. .... D21/818  
D281,992 S \* 12/1985 Saxman ..... D21/826  
D295,898 S \* 5/1988 Rupp ..... D25/1  
D302,198 S \* 7/1989 Mercer ..... D21/826  
D330,579 S \* 10/1992 Briggs ..... D21/822  
D334,610 S \* 4/1993 Aker ..... D21/818  
D340,099 S \* 10/1993 Warren ..... D21/818  
D340,273 S \* 10/1993 Ezell ..... D21/511

(Continued)

*Primary Examiner* — Mitchell I. Siegel  
(74) *Attorney, Agent, or Firm* — Wesley W. Malherek; Kelly, Holt & Christenson, PLLC

(57) **CLAIM**

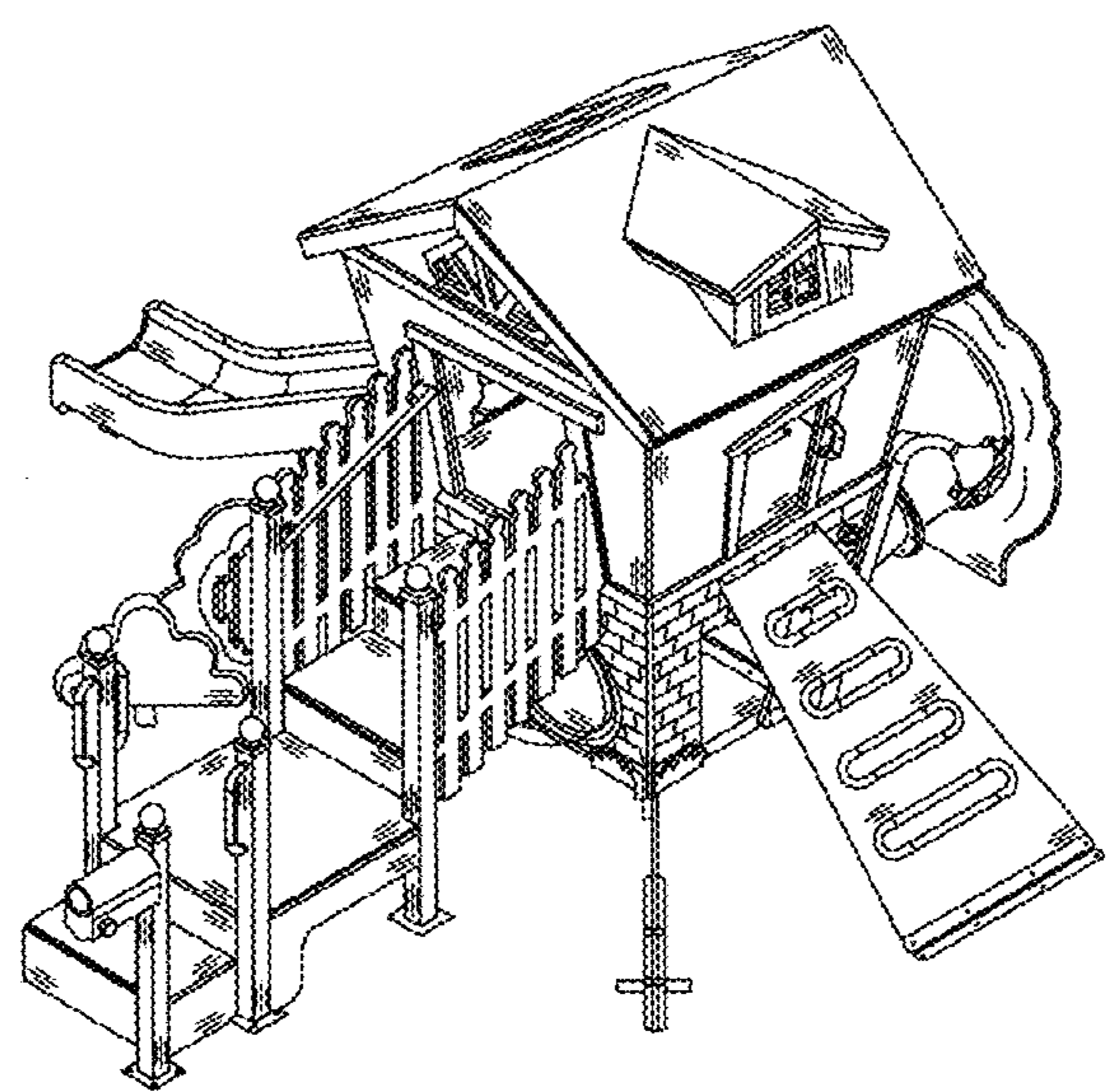
The ornamental design for the play structure, as shown and described.

**DESCRIPTION**

FIG. 1 is a perspective view of a first embodiment of the play structure.  
FIG. 2 is a front view of a first embodiment of the play structure.  
FIG. 3 is a first side view of a first embodiment of the play structure.  
FIG. 4 is a rear view of a first embodiment of the play structure.  
FIG. 5 is a second side view of a first embodiment of the play structure.  
FIG. 6 is a bottom view of a first embodiment of the play structure; and,  
FIG. 7 is a top view of a first embodiment of the play structure.  
The broken lines of FIGS. 1-7 are included for the purpose of illustrating environmental structure and form no part of the claimed design.

**1 Claim, 7 Drawing Sheets**

(56) **References Cited**  
U.S. PATENT DOCUMENTS  
D43,949 S \* 4/1913 Thayer et al. .... D21/511  
D44,041 S \* 5/1913 Thayer et al. .... D21/511  
D224,243 S \* 7/1972 Hock et al. .... D21/818  
D224,247 S \* 7/1972 Jamison ..... D21/818  
D250,784 S \* 1/1979 Dieter ..... D21/821  
D251,265 S \* 3/1979 Shorten ..... D21/511  
D253,362 S \* 11/1979 Dieter ..... D21/822  
D253,363 S \* 11/1979 Dieter ..... D21/821  
4,262,900 A \* 4/1981 Vinson ..... A63G 31/00  
472/116  
D259,804 S \* 7/1981 Dieter ..... D21/826  
D261,917 S \* 11/1981 Dieter ..... D21/818  
D262,818 S \* 1/1982 Works ..... D21/822  
D265,850 S \* 8/1982 Bradford ..... D21/511



(56)

References Cited

U.S. PATENT DOCUMENTS

D347,458 S \* 5/1994 Cunard ..... D21/818  
 D361,614 S \* 8/1995 Aker ..... D21/821  
 D366,686 S \* 1/1996 Ziegler, Jr. .... D21/826  
 D367,310 S \* 2/1996 Ziegler, Jr. .... D21/827  
 D377,074 S \* 12/1996 Ford ..... D21/827  
 D385,941 S \* 11/1997 Carpenter ..... D21/511  
 D427,648 S \* 7/2000 Law ..... D21/511  
 D435,881 S \* 1/2001 Gardner ..... D21/820  
 D436,224 S \* 1/2001 Gardner ..... D21/820  
 D440,623 S \* 4/2001 Gardner ..... D21/818  
 6,482,095 B2 \* 11/2002 Zeilinger ..... A63B 17/02  
 104/69  
 D468,387 S \* 1/2003 Ezell ..... D21/826  
 D501,232 S \* 1/2005 Kirk ..... D21/511  
 D524,895 S \* 7/2006 VanDeusen ..... D21/820  
 D532,462 S \* 11/2006 DeBlanco ..... D21/511  
 D534,984 S \* 1/2007 Nye ..... D21/818  
 D536,406 S \* 2/2007 Nye ..... D21/818

D536,407 S \* 2/2007 Nye ..... D21/818  
 D536,408 S \* 2/2007 Nye ..... D21/818  
 D536,409 S \* 2/2007 Nye ..... D21/822  
 D536,410 S \* 2/2007 Nye ..... D21/822  
 D536,411 S \* 2/2007 Nye ..... D21/822  
 D569,450 S \* 5/2008 Halliday ..... D21/511  
 D569,451 S \* 5/2008 Halliday ..... D21/511  
 D575,840 S \* 8/2008 Sammann ..... D21/818  
 D577,408 S \* 9/2008 Ketcherside ..... D21/821  
 D587,776 S \* 3/2009 Robertson ..... D21/814  
 D594,070 S \* 6/2009 Ridens ..... D21/511  
 D618,814 S \* 6/2010 Ruhanen ..... D24/203  
 D690,382 S \* 9/2013 Kopp ..... D21/822  
 D693,418 S \* 11/2013 Tukker ..... D21/818  
 D693,419 S \* 11/2013 Tukker ..... D21/818  
 D694,838 S \* 12/2013 Tukker ..... D21/511  
 D807,978 S \* 1/2018 Keller ..... D21/814  
 2006/0096188 A1 \* 5/2006 Byrd ..... A63G 31/00  
 52/198  
 2012/0193276 A1 \* 8/2012 Kim ..... A63G 31/007  
 210/167.1

\* cited by examiner

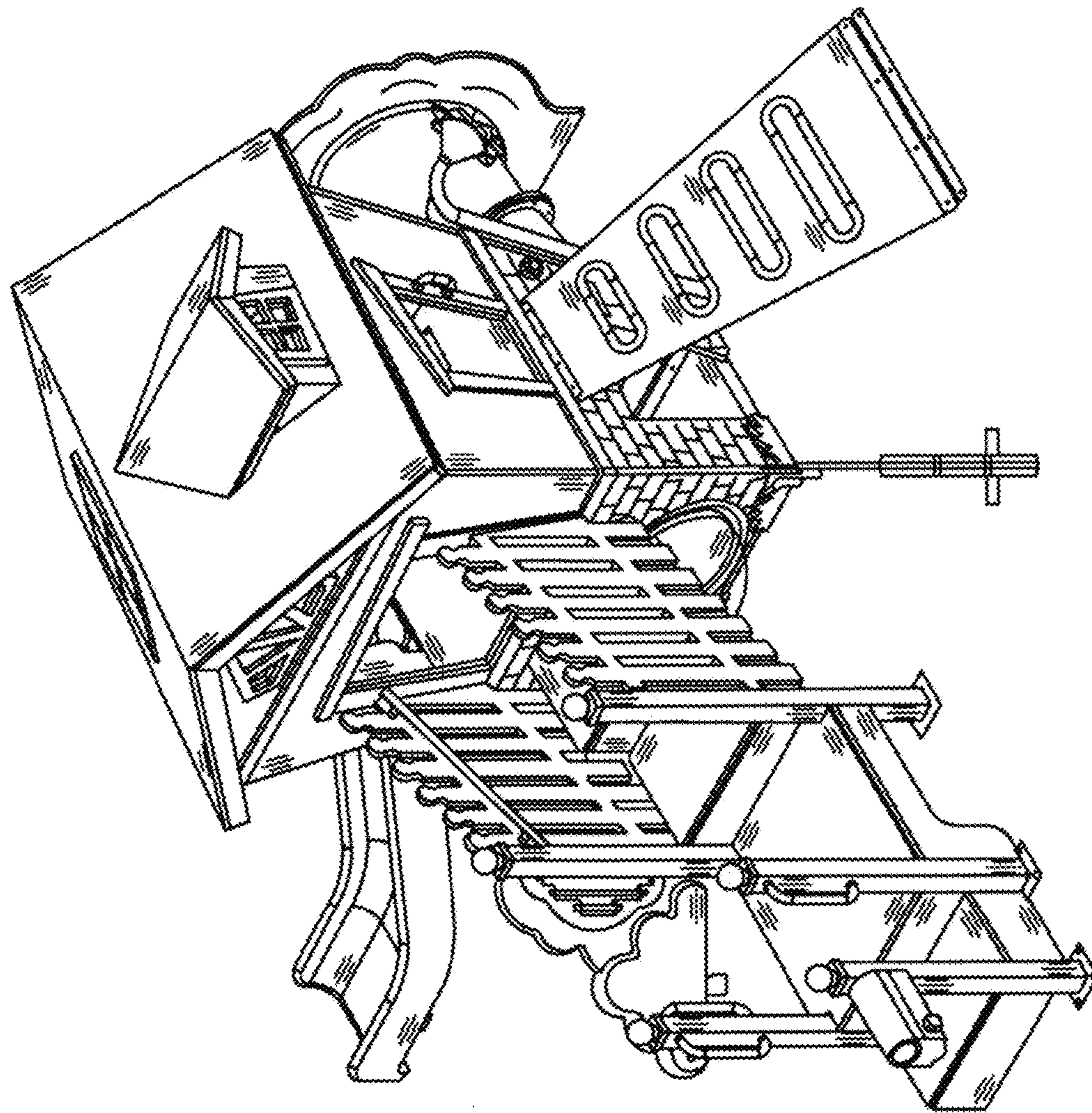


FIG. 1

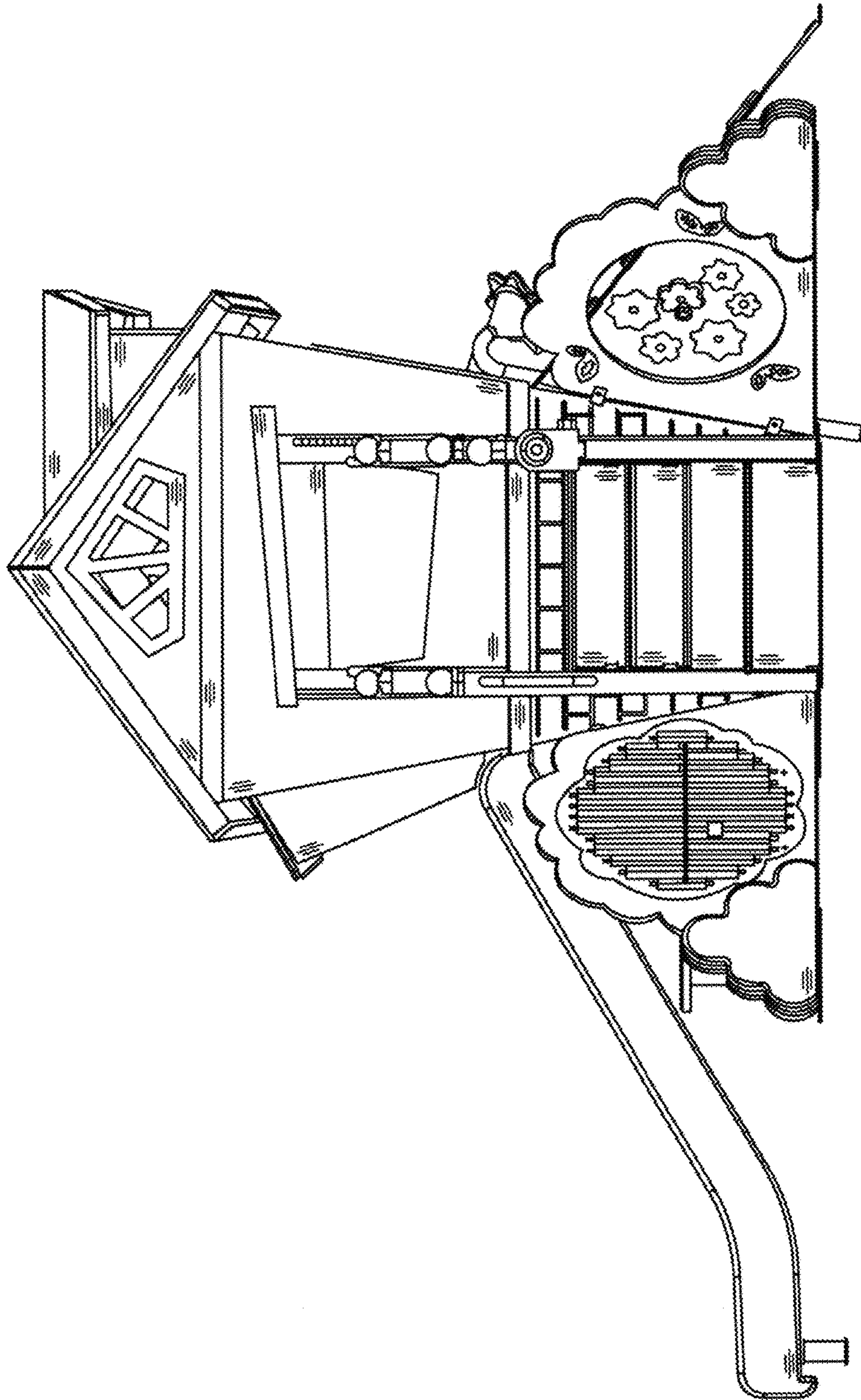


FIG. 2

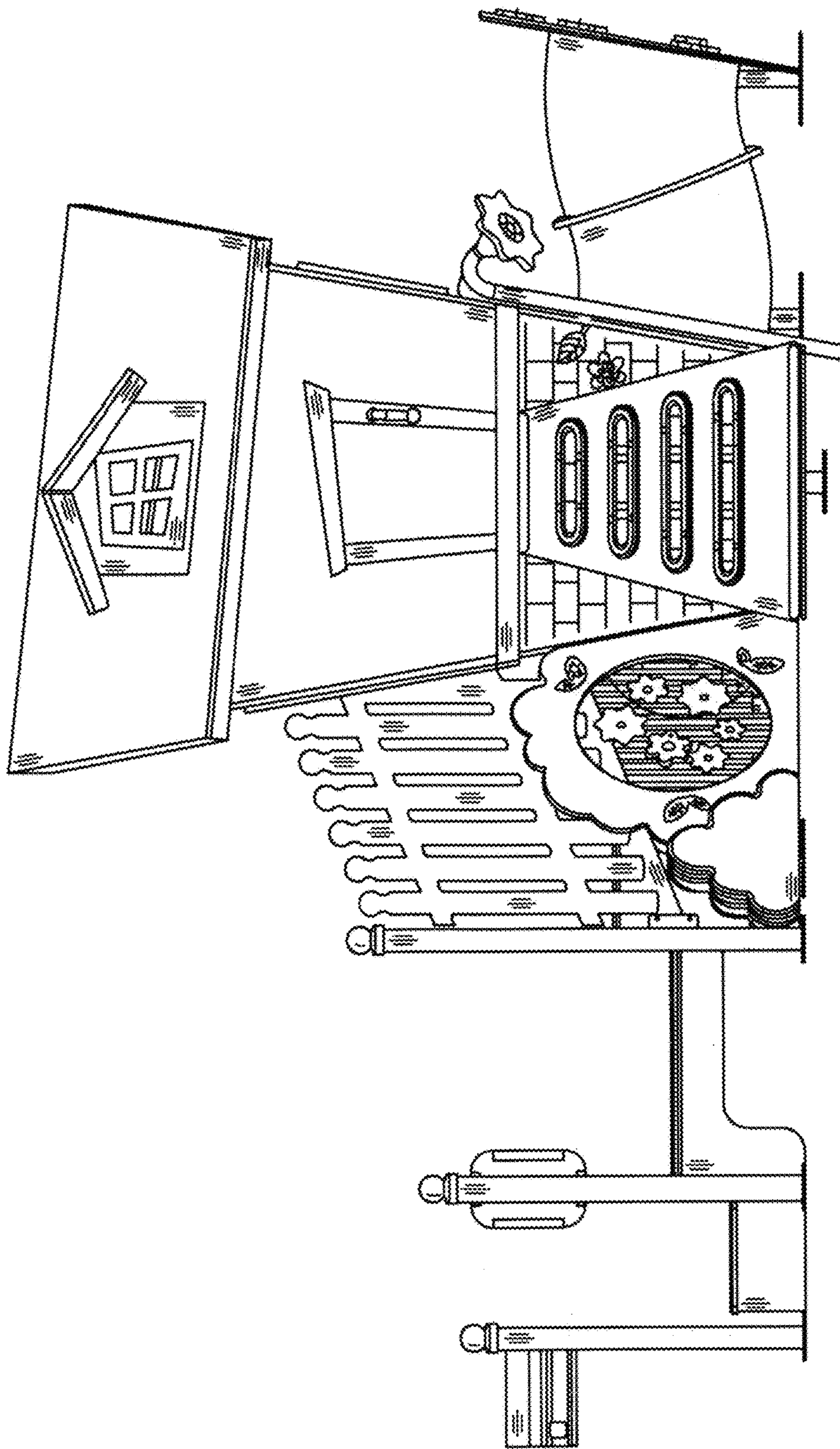


FIG. 3

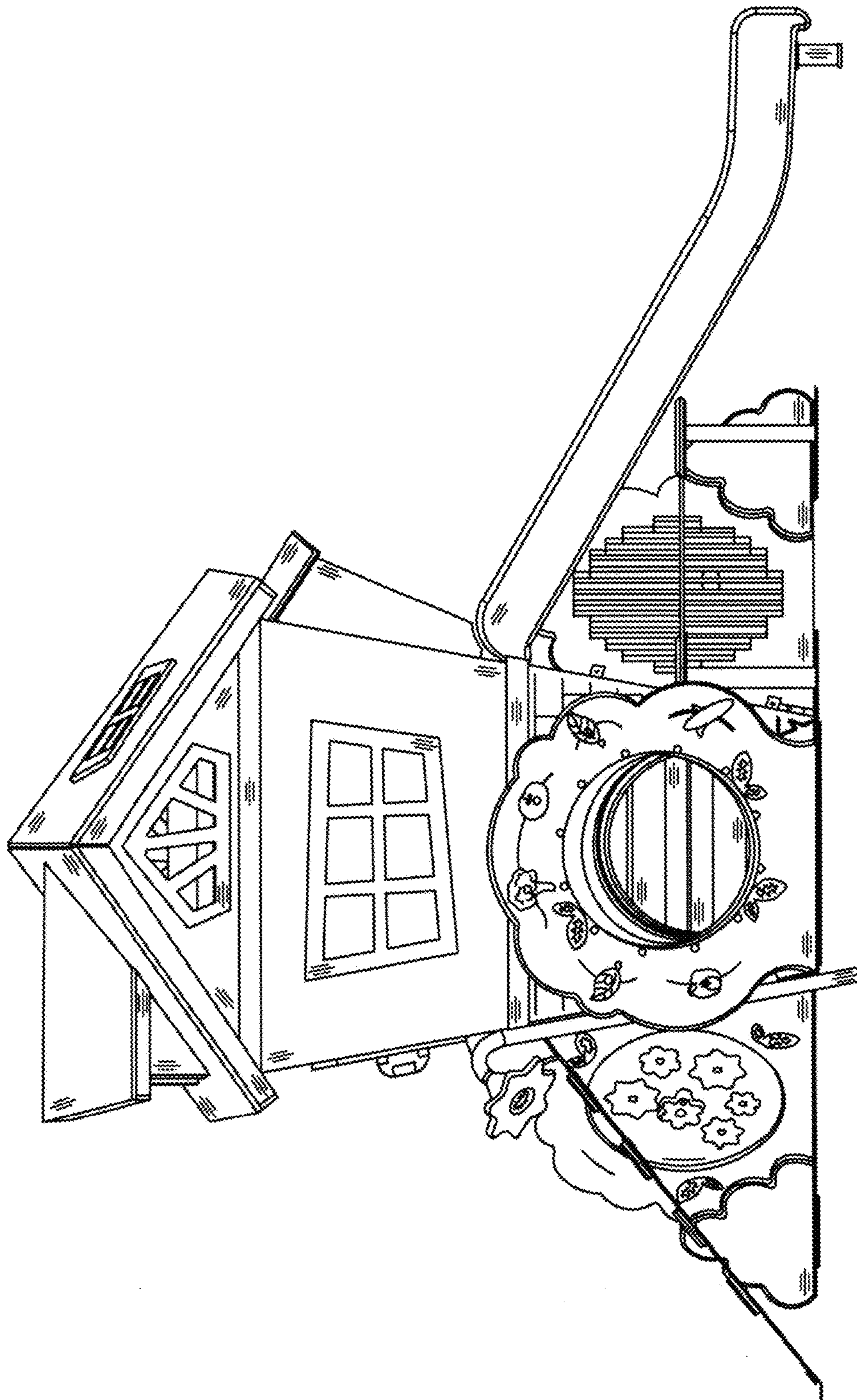


FIG. 4

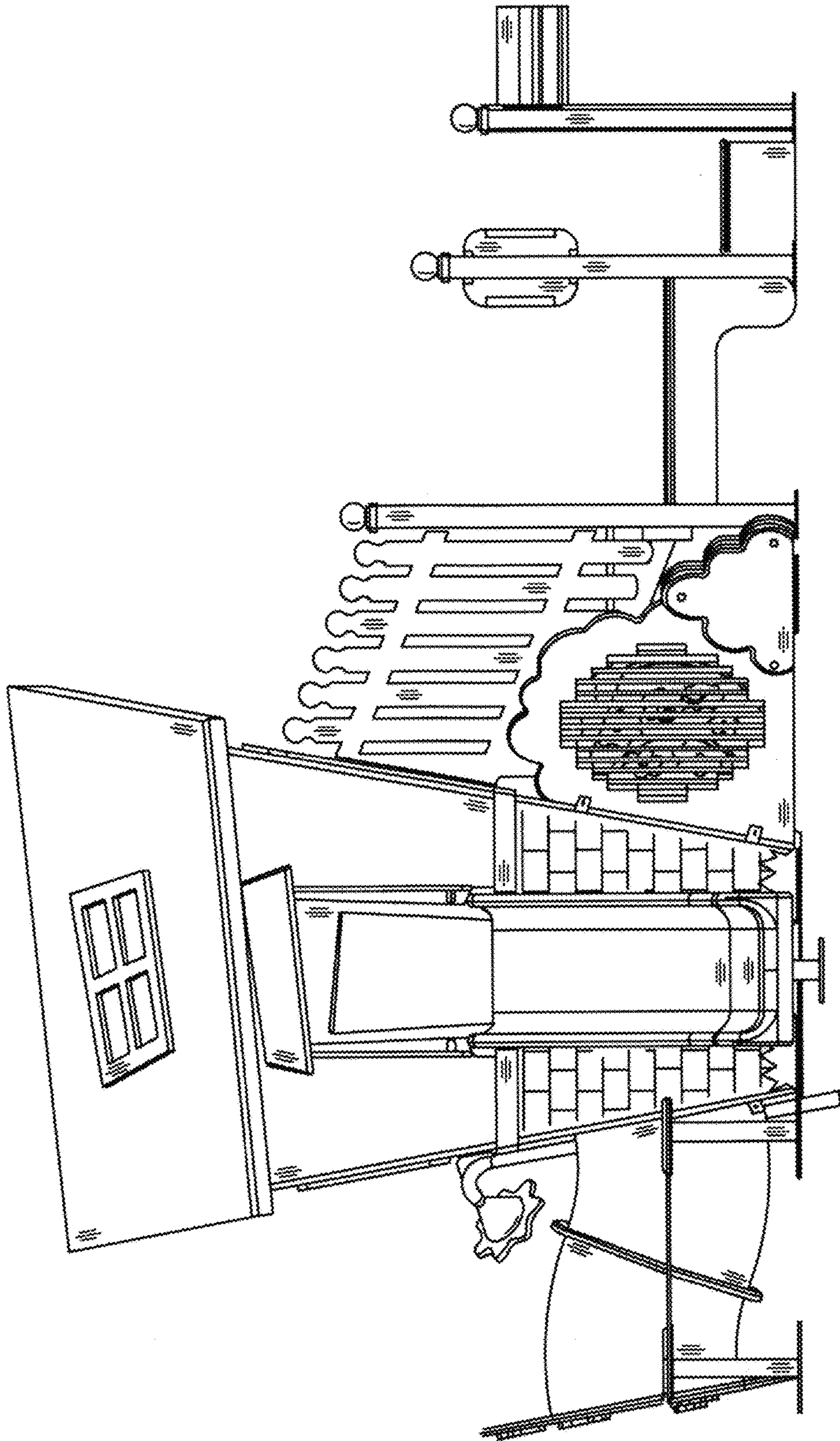


FIG. 5

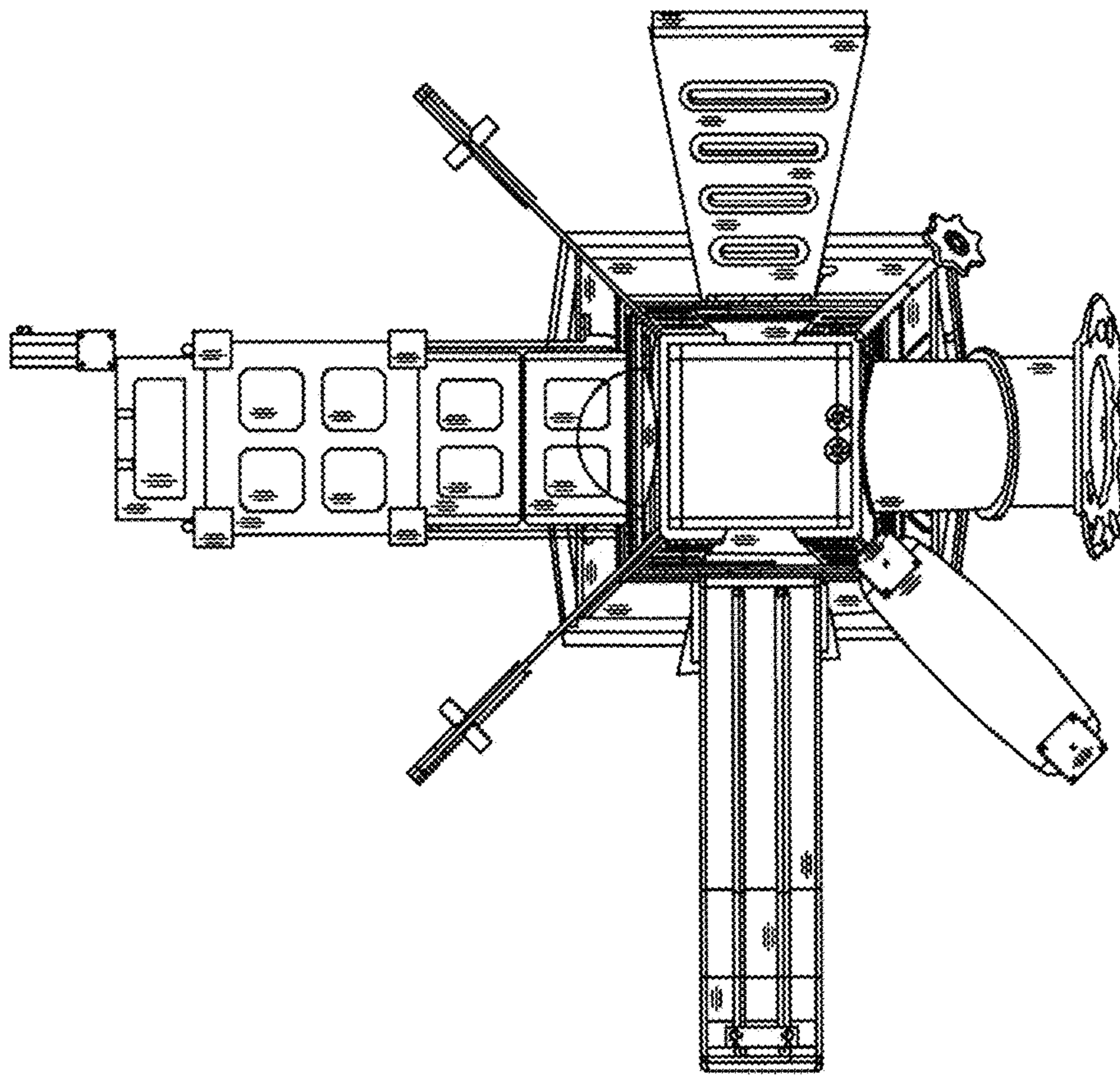


FIG. 6



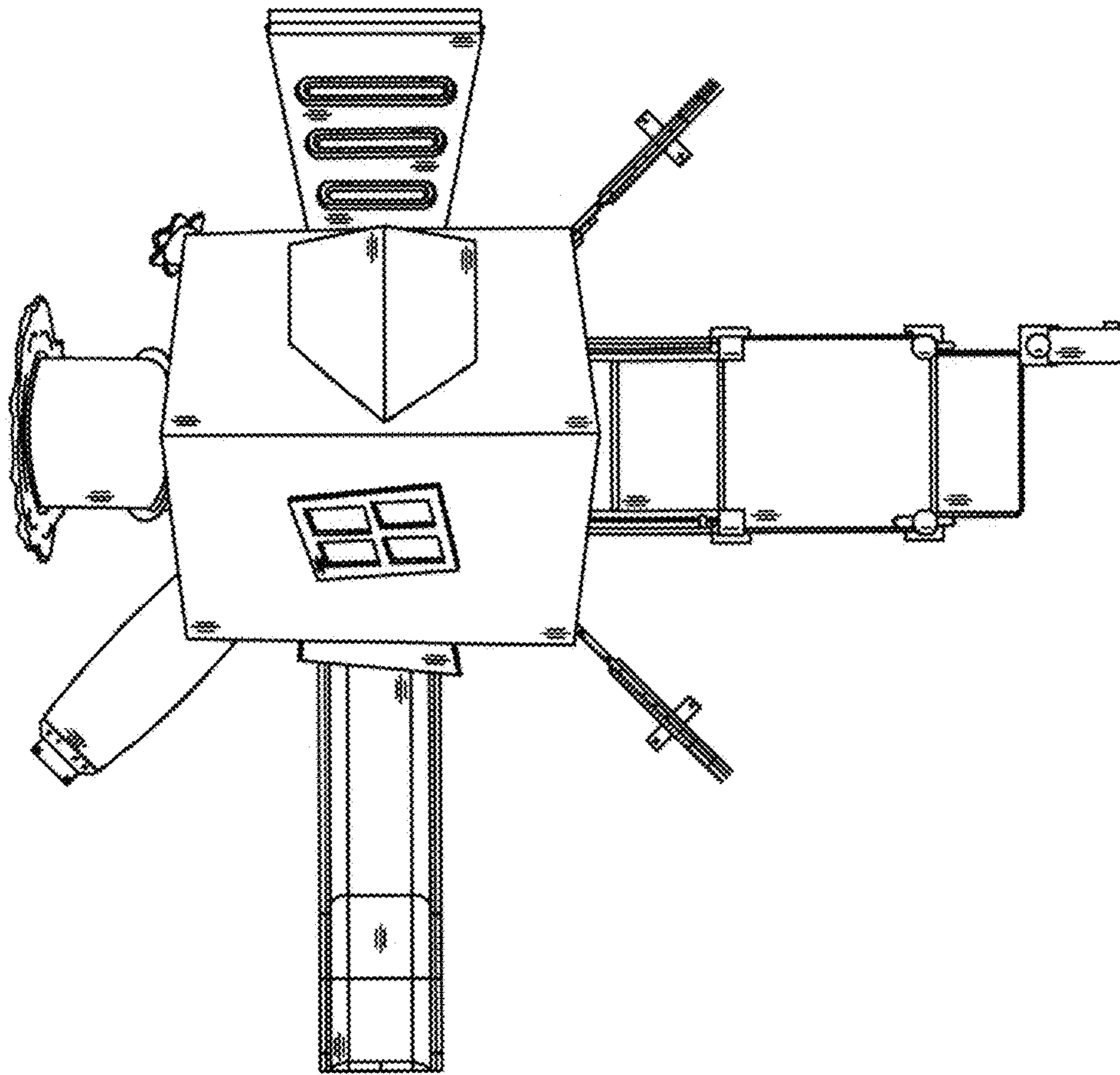


FIG. 7