



US00D832960S

(12) **United States Design Patent** (10) **Patent No.:** **US D832,960 S**
Fallon (45) **Date of Patent:** **** Nov. 6, 2018**

- (54) **DIVOT REPAIR TOOL**
- (71) Applicant: **Sandgroup International Ltd.**, Hong Kong (HK)
- (72) Inventor: **Conor Fallon**, County Kildare (IE)
- (73) Assignee: **Sandgroup International Ltd.**, Kwai Chung (HK)
- (**) Term: **15 Years**
- (21) Appl. No.: **29/602,012**
- (22) Filed: **Apr. 27, 2017**
- (51) **LOC (11) Cl.** **21-02**
- (52) **U.S. Cl.**
USPC **D21/793**
- (58) **Field of Classification Search**
USPC D21/789, 793-794, 717-718
CPC . A63B 57/00; A63B 57/0037; A63B 57/0032;
A63B 57/50; A63B 57/12; A63B 57/16;
A63B 57/20; A63B 57/30; A63B 57/35
See application file for complete search history.

D401,379	S	11/1998	Goldoftas
6,030,298	A	2/2000	Tate
6,050,905	A	4/2000	Tate
D424,151	S	5/2000	Miura
6,224,502	B1	5/2001	Warfield
6,244,356	B1	6/2001	Luna
6,413,174	B1	7/2002	Roberts
6,428,430	B1	8/2002	Chong
6,837,807	B1	1/2005	Kerr
D513,632	S	1/2006	Sokolowski
D534,982	S	1/2007	Miller
D553,705	S	10/2007	Barouh
7,527,563	B1	5/2009	Neu
7,621,819	B1	11/2009	Neu
D719,232	S	12/2014	Wallander
8,920,265	B1	12/2014	Jones
9,381,412	B2	7/2016	Fallon
2002/0183138	A1	12/2002	Malcolm
2004/0219997	A1	11/2004	Champion
2005/0070380	A1	3/2005	Miller
2006/0247075	A1	11/2006	Dymling
2007/0298900	A1	12/2007	Johnson
2008/0135444	A1	6/2008	Malcolm
2008/0268985	A1	10/2008	Wiens
2009/0098952	A1	4/2009	Leiber
2010/0022330	A1	1/2010	Rouke

(Continued)

Primary Examiner — Mitchell I. Siegel

(74) *Attorney, Agent, or Firm* — Jason T. Daniels, Esq.; Daniel Law Offices, P.A.

(56) **References Cited**

U.S. PATENT DOCUMENTS

3,415,518	A	12/1968	Root
3,539,017	A	11/1970	Johnson
3,763,515	A	10/1973	Voss
4,925,190	A	5/1990	Learned
4,984,790	A	1/1991	Dowdy
5,022,650	A	6/1991	Madock
5,211,395	A	5/1993	Liao
5,226,647	A	7/1993	Notarmuzi
5,277,425	A	1/1994	Petriano, Sr.
5,305,999	A	4/1994	Tate
5,449,169	A	9/1995	Hardin
D375,815	S	11/1996	Kagasoff
D391,318	S	2/1998	Shah
D399,597	S	10/1998	Craven

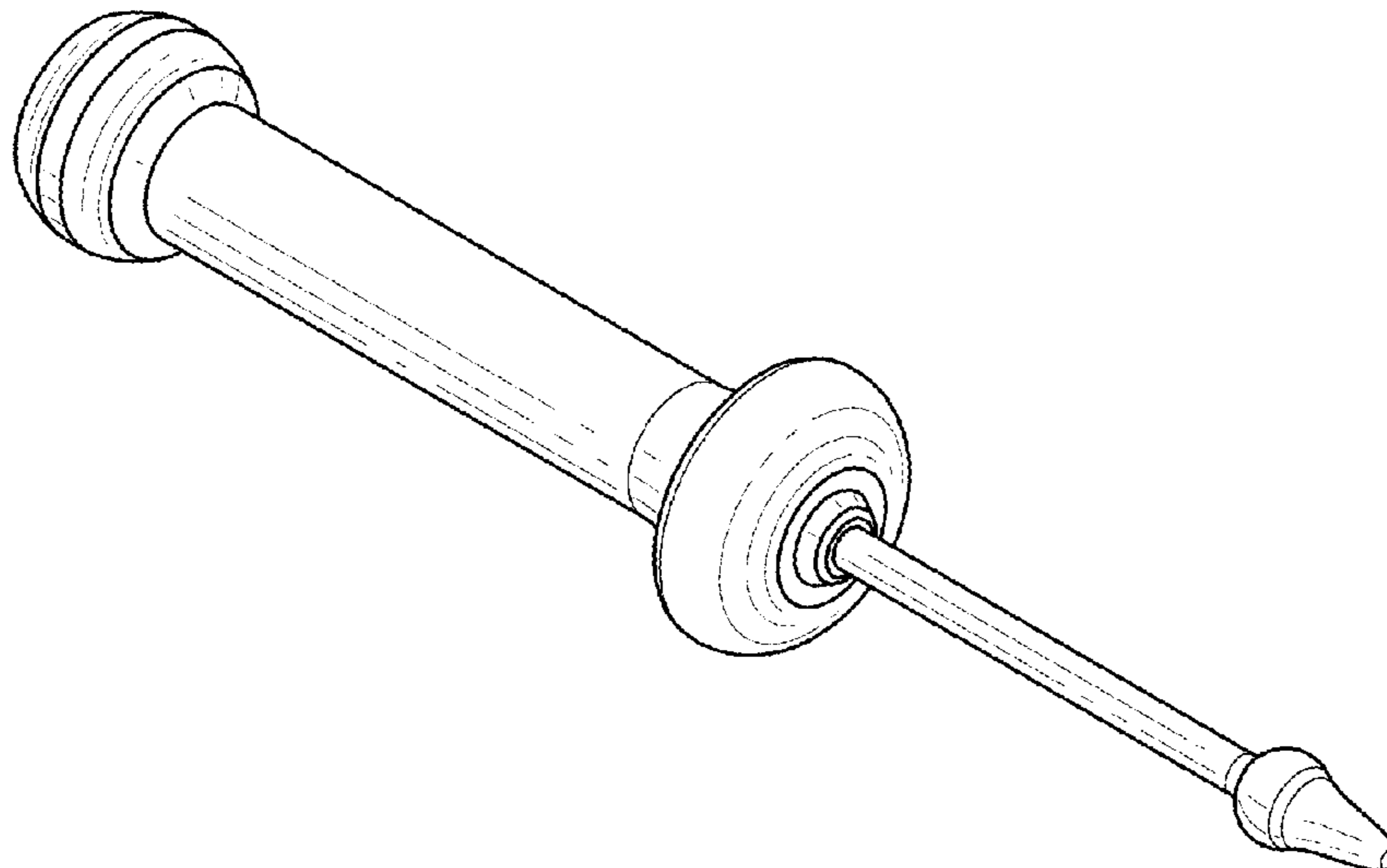
(57) **CLAIM**

The ornamental design for a divot repair tool, as shown and described.

DESCRIPTION

FIG. 1 is a front perspective view thereof, FIG. 2 is a back perspective view thereof, FIG. 3 is a side elevational view thereof, FIG. 4 is a top side elevational view thereof; and, FIG. 5 is a bottom side elevational view thereof.

1 Claim, 2 Drawing Sheets



(56)

References Cited

U.S. PATENT DOCUMENTS

2010/0099519	A1	4/2010	Leiber
2011/0081994	A1	4/2011	Rouke
2016/0121179	A1	5/2016	Zwart
2016/0193513	A1	7/2016	Fallon

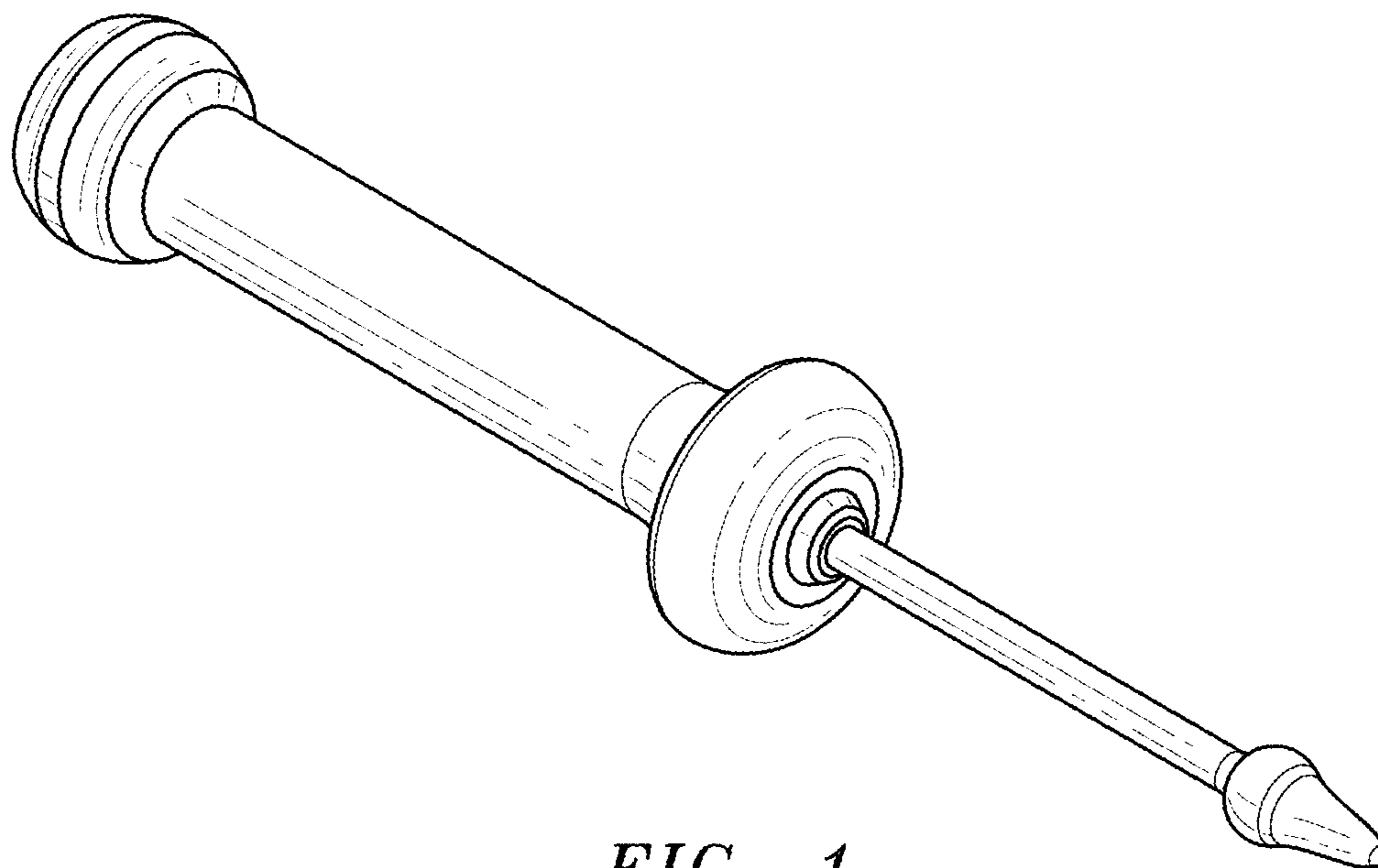


FIG. 1

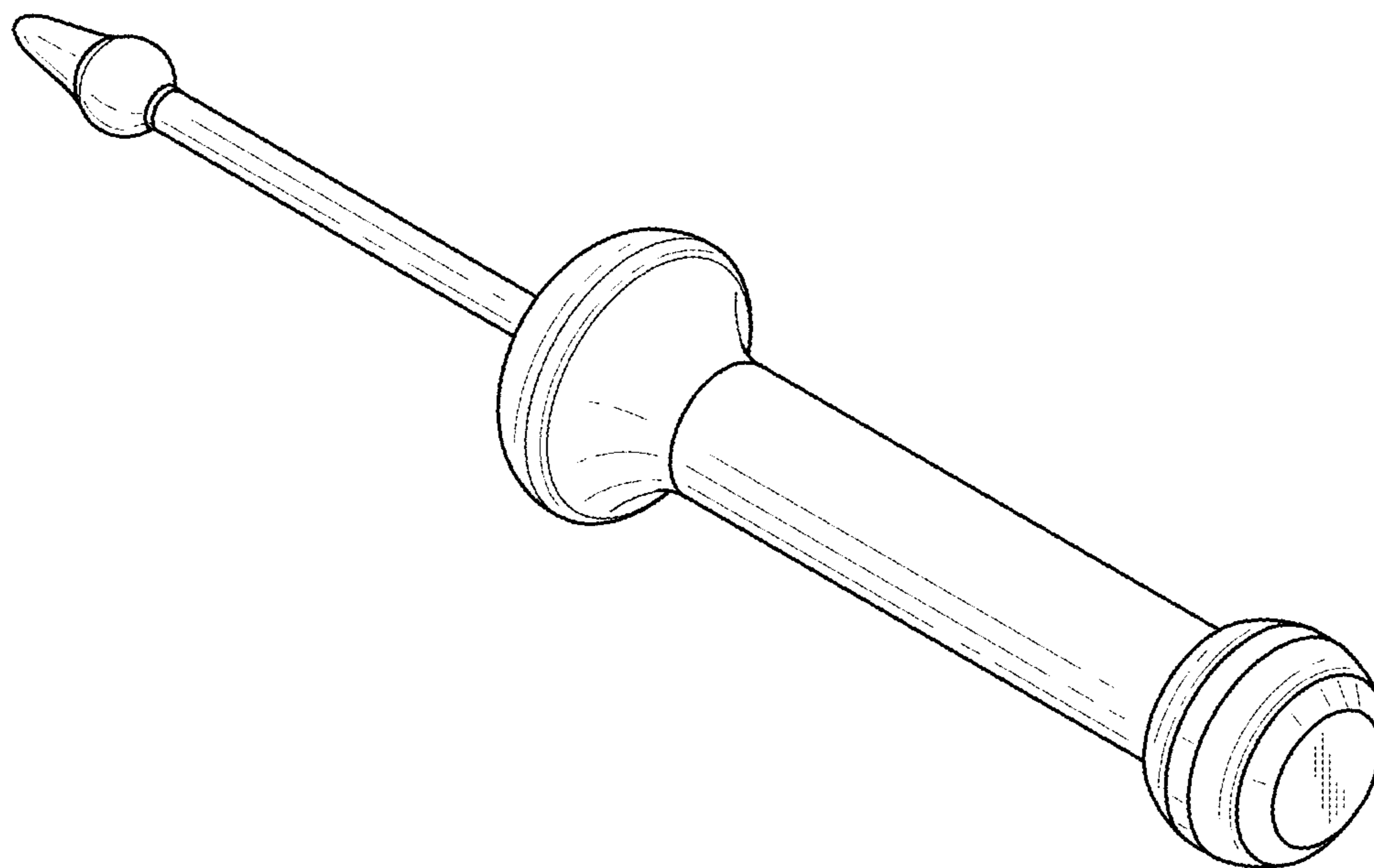


FIG. 2

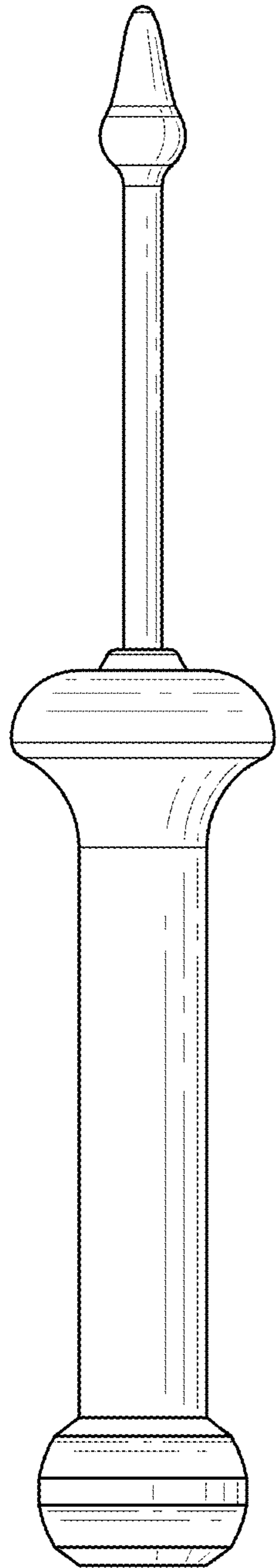


FIG. 3

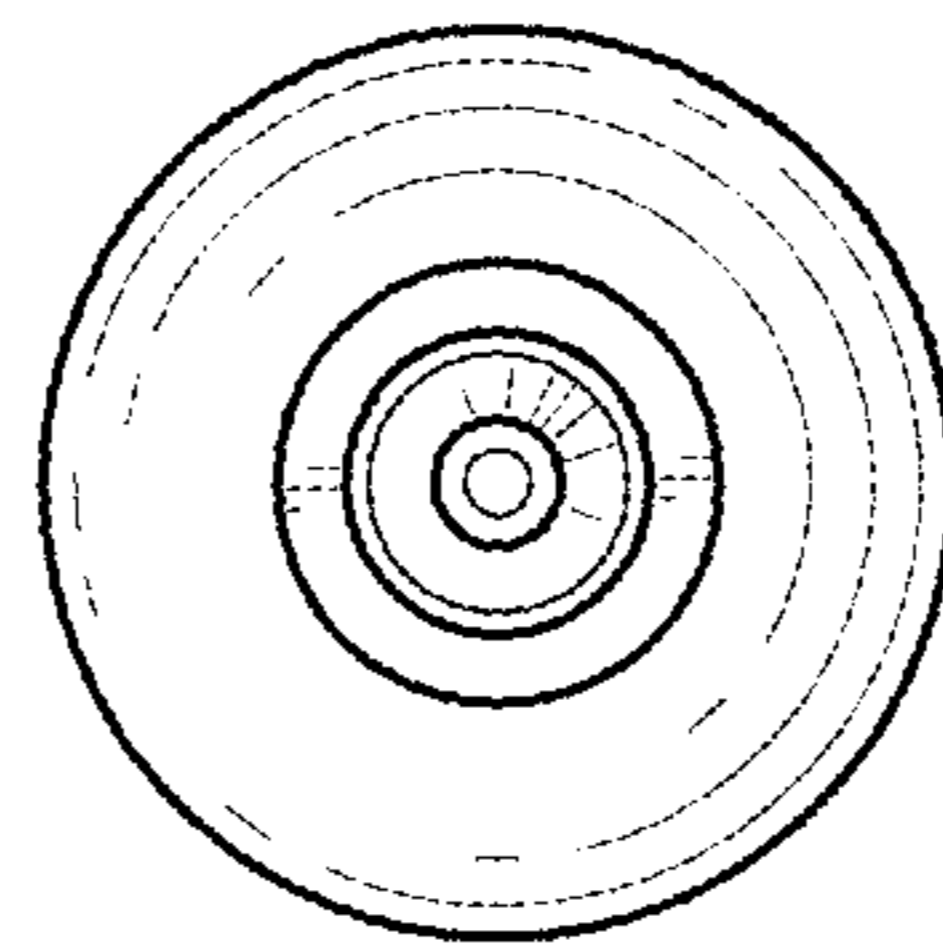


FIG. 4

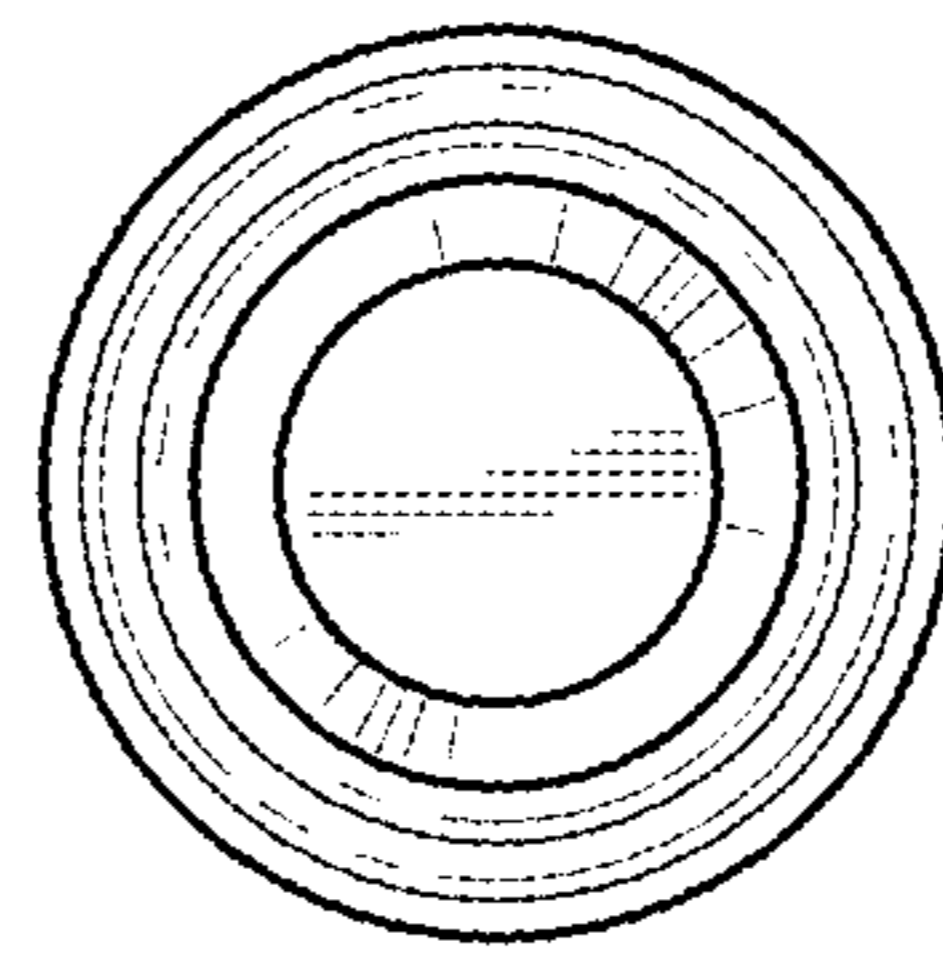


FIG. 5