



US00D832958S

(12) **United States Design Patent** (10) **Patent No.:** **US D832,958 S**
Foster (45) **Date of Patent:** **** Nov. 6, 2018**

(54) **GOLF CLUB HEAD**
(71) Applicant: **Callaway Golf Company**, Carlsbad, CA (US)
(72) Inventor: **Philip G. Foster**, Carlsbad, CA (US)
(73) Assignee: **Callaway Golf Company**, Carlsbad, CA (US)
(**) Term: **15 Years**
(21) Appl. No.: **29/621,116**

D812,168 S * 3/2018 Kim D21/759
D812,702 S * 3/2018 Tang D21/752
D812,703 S * 3/2018 Tang D21/752
D813,327 S * 3/2018 Kim D21/752
D813,328 S * 3/2018 Tang D21/752
D813,329 S * 3/2018 Tang D21/752
D813,330 S * 3/2018 Tang D21/759
D813,331 S * 3/2018 Tang D21/759
D814,582 S * 4/2018 Bacon D21/752
D814,583 S * 4/2018 Stokke D21/752
D814,584 S * 4/2018 Tang D21/759
D815,223 S * 4/2018 Stokke D21/752
D823,958 S * 7/2018 Stokke D21/752
D825,013 S * 8/2018 Milleman D21/752
2006/0172821 A1* 8/2006 Evans A63B 53/0466
473/349

(22) Filed: **Oct. 4, 2017**
(51) **LOC (11) Cl.** **21-02**
(52) **U.S. Cl.**
USPC **D21/759**
(58) **Field of Classification Search**
USPC D21/733, 752, 759
See application file for complete search history.

* cited by examiner

Primary Examiner — Mitchell I. Siegel
(74) *Attorney, Agent, or Firm* — Rebecca Hanovice;
Michael Catania; Sonia Lari

(56) **References Cited**

(57) **CLAIM**

The ornamental design for a golf club head, as shown and described.

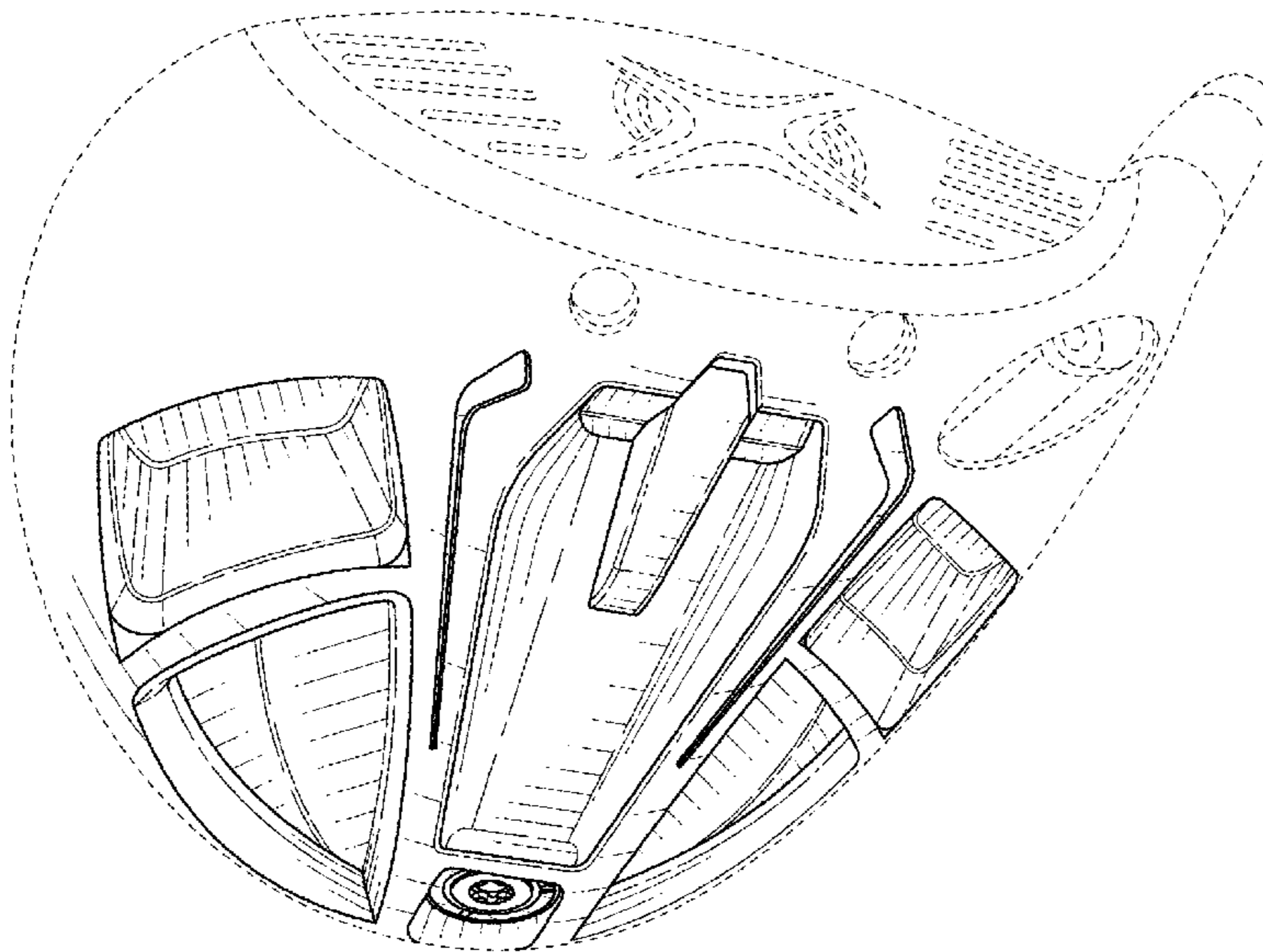
U.S. PATENT DOCUMENTS

DESCRIPTION

D489,425 S * 5/2004 Rice D21/759
D591,818 S * 5/2009 Roberts D21/759
D631,111 S * 1/2011 Bennett D21/752
D665,863 S * 8/2012 Gonzalez D21/759
8,257,196 B1 * 9/2012 Abbott A63B 53/0466
473/335
D673,631 S * 1/2013 Engel D21/759
D763,376 S * 8/2016 Takechi D21/759
D763,994 S * 8/2016 Foster D21/759
D763,997 S * 8/2016 Tang D21/759
D788,239 S * 5/2017 Kim D21/759
D801,461 S * 10/2017 Milleman D21/752
D801,463 S * 10/2017 Kim D21/759
D801,464 S * 10/2017 Kim D21/759
D801,465 S * 10/2017 Tang D21/759
D806,192 S * 12/2017 Tang D21/759
D811,503 S * 2/2018 Bacon D21/752

FIG. 1 is a sole perspective view of the golf club head claimed herein;
FIG. 2 is a front elevational view thereof;
FIG. 3 is a rear elevational view thereof;
FIG. 4 is a left side elevational view thereof;
FIG. 5 is a right side elevational view thereof;
FIG. 6 is a top plan view thereof; and,
FIG. 7 is a bottom plan view thereof.
The broken line showing of the unclaimed golf club head is included for the purpose of illustrating unclaimed subject matter and forms no part of the claimed design.

1 Claim, 5 Drawing Sheets



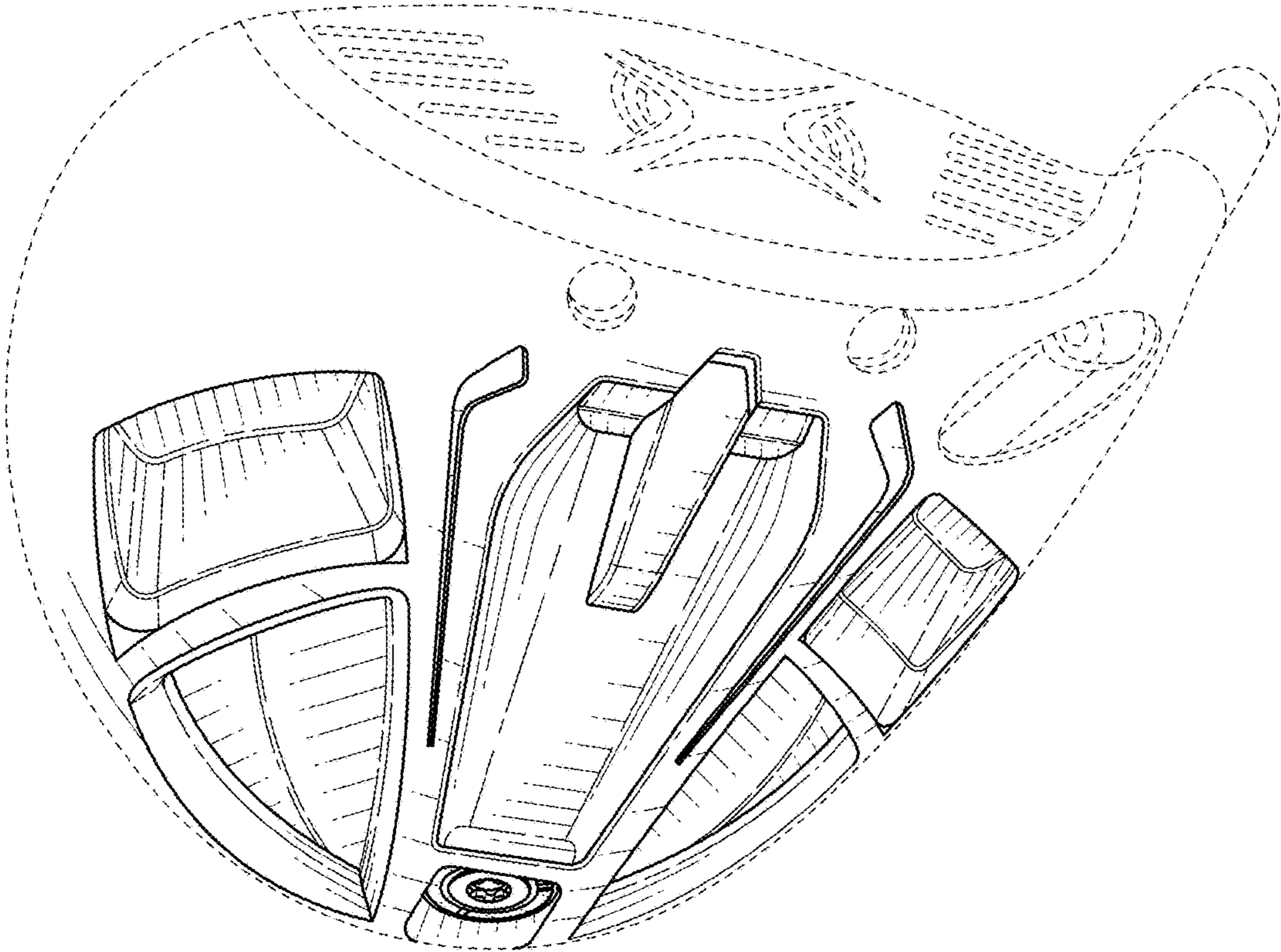


FIG. 1

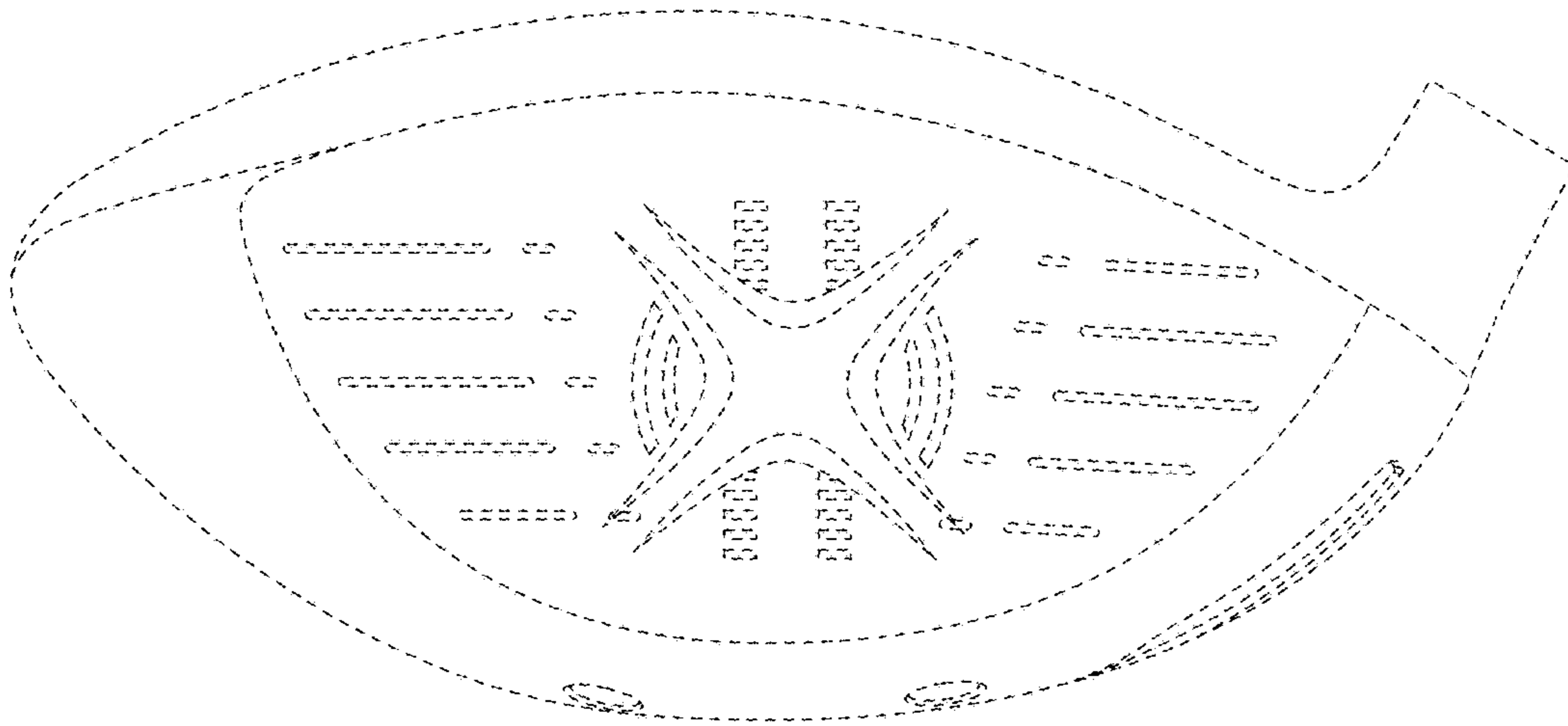


FIG. 2

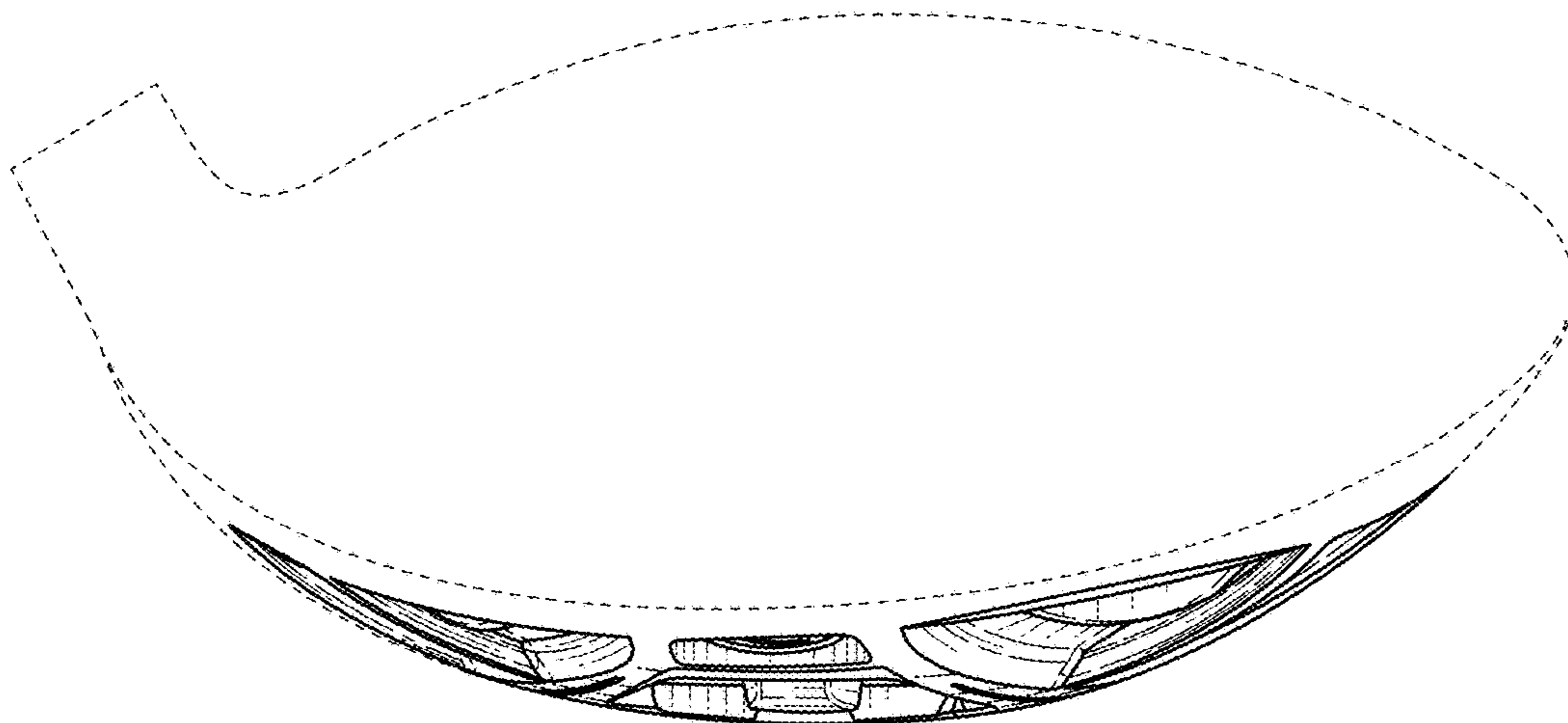


FIG. 3

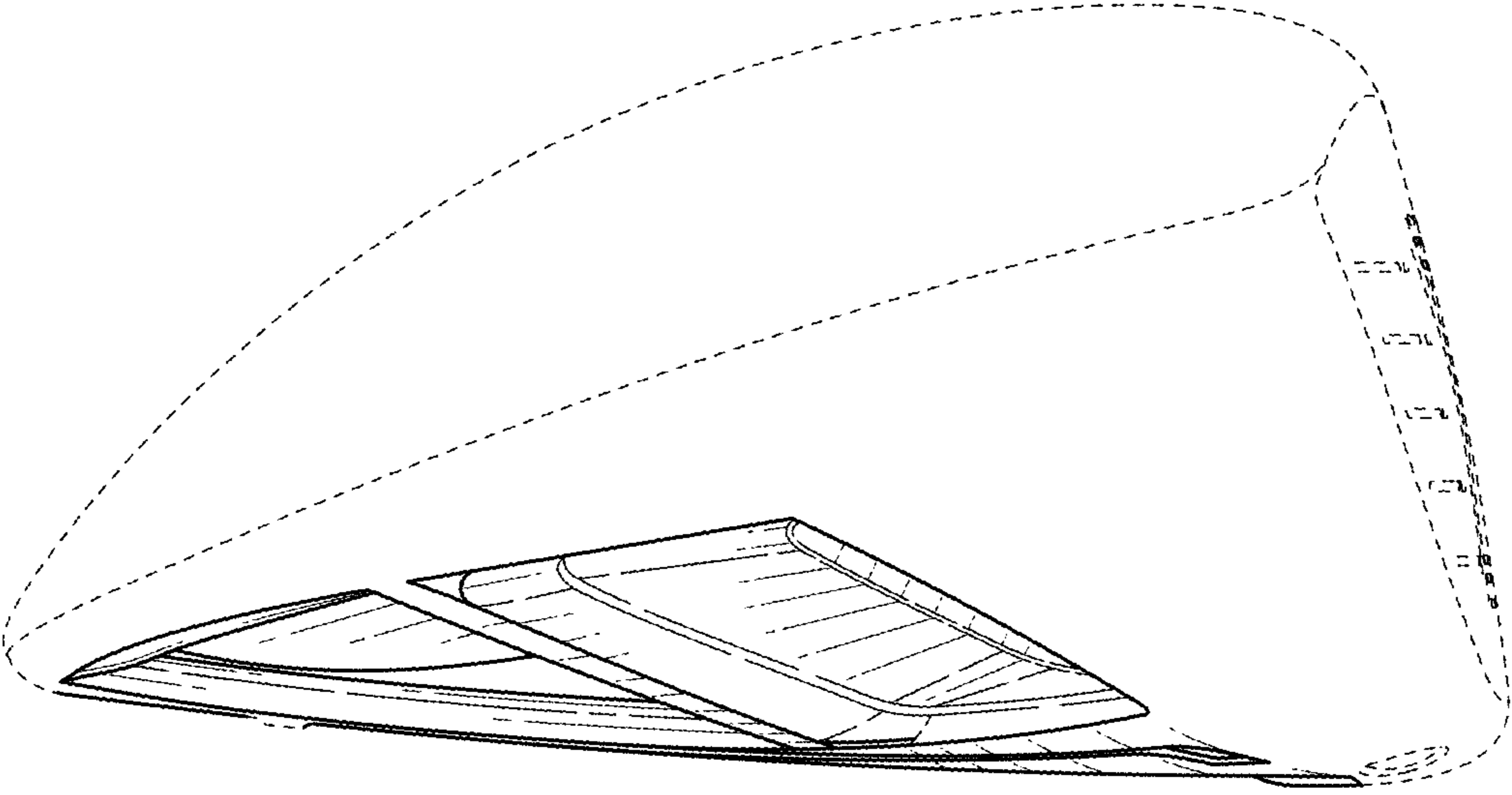


FIG. 4

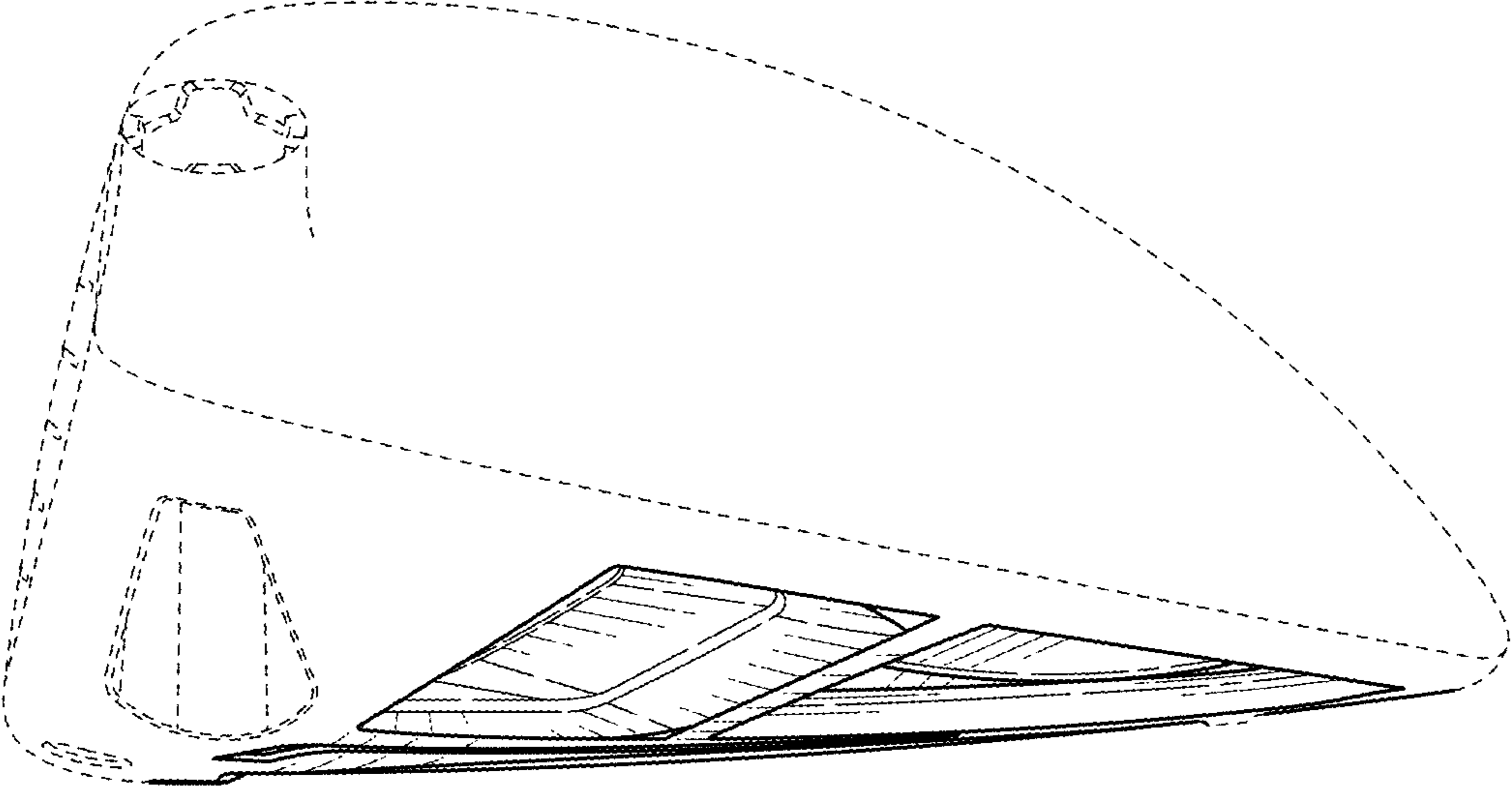


FIG. 5

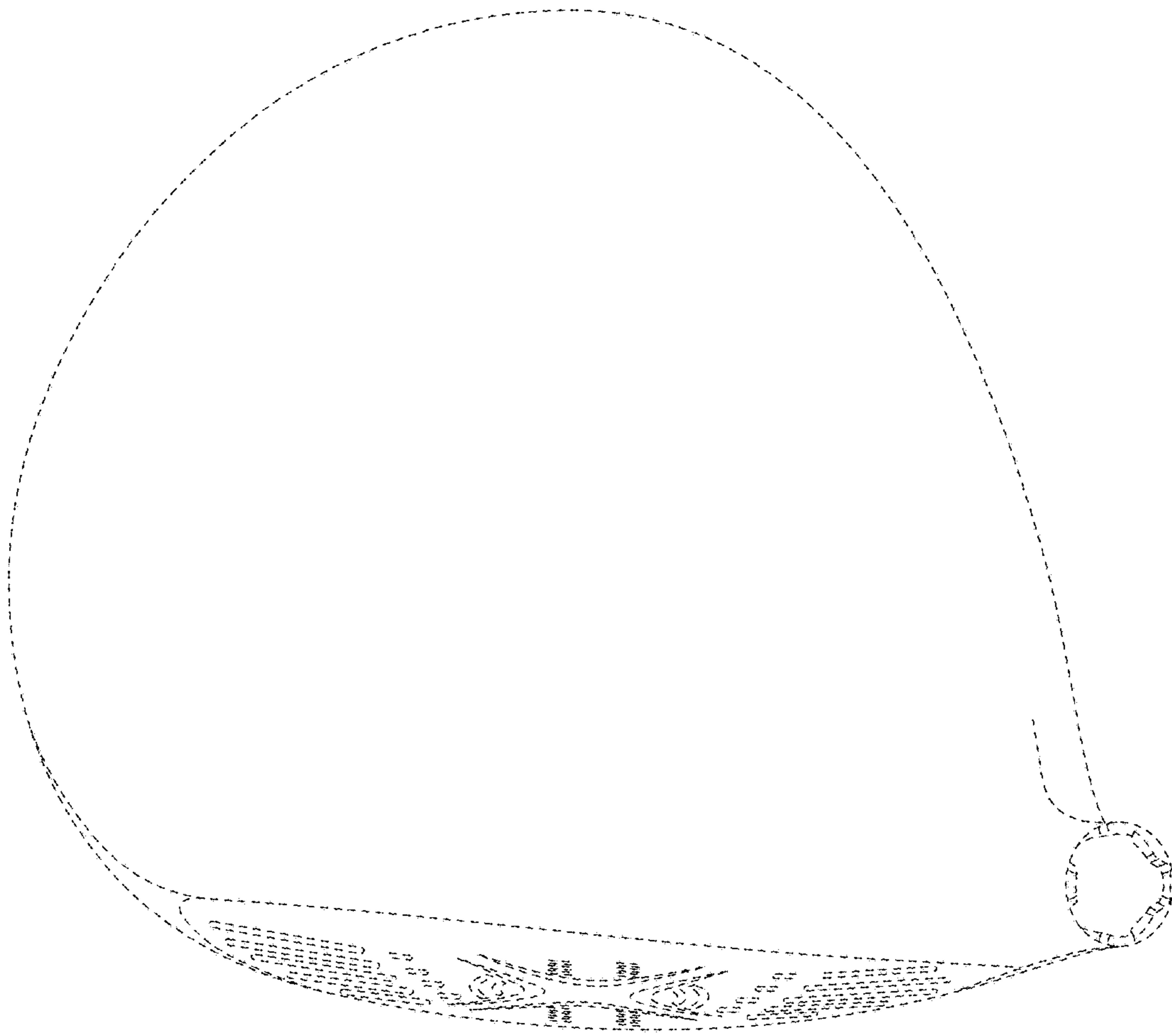


FIG. 6

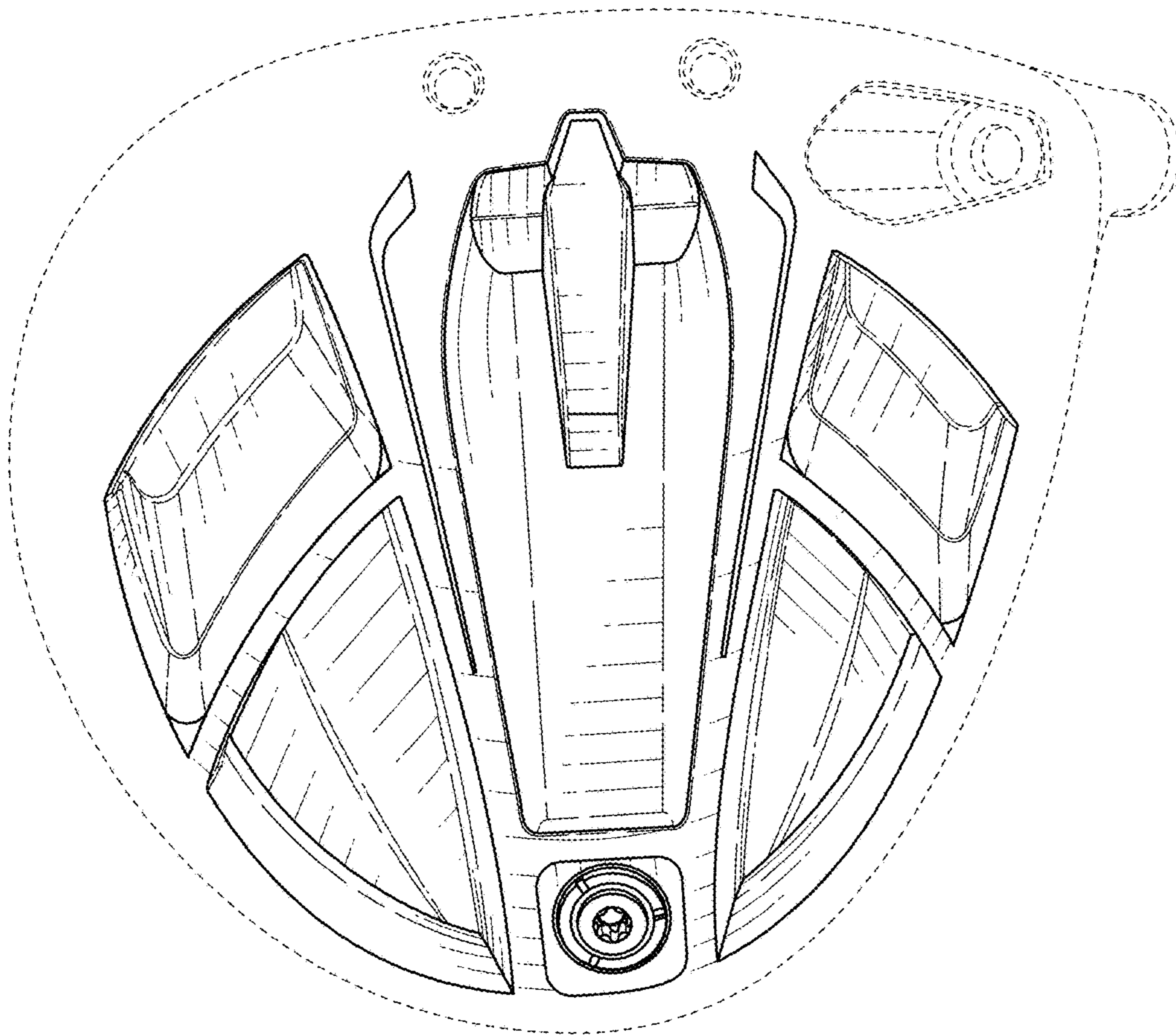


FIG. 7