



US00D832951S

(12) **United States Design Patent** (10) **Patent No.:** **US D832,951 S**
Broom (45) **Date of Patent:** **** *Nov. 6, 2018**

- (54) **PUTTER**
- (71) Applicant: **Patrick Broom**, Bainbridge Island, WA (US)
- (72) Inventor: **Patrick Broom**, Bainbridge Island, WA (US)
- (73) Assignee: **OPTIC INC.**, Bainbridge Island, WA (US)
- (*) Notice: This patent is subject to a terminal disclaimer.
- (**) Term: **15 Years**

5,267,733 A	12/1993	Szokola
5,494,288 A	2/1996	Jimenez et al.
D387,829 S	12/1997	Blaine
D402,721 S	12/1998	Gurrola
D408,066 S	4/1999	Gurrola
D410,054 S	5/1999	Yu
D410,267 S	5/1999	Solheim et al.
5,961,400 A *	10/1999	Broom A63B 53/0487 473/313
D417,710 S *	12/1999	Broom D21/736
D432,608 S *	10/2000	Broom D21/744
D438,923 S *	3/2001	Broom D21/744
D495,018 S	8/2004	Ruffin
D556,277 S *	11/2007	Broom D21/743
D631,925 S *	2/2011	Broom D21/743

(Continued)

- (21) Appl. No.: **29/620,070**
- (22) Filed: **Jun. 17, 2016**
- (51) **LOC (11) Cl.** **21-02**
- (52) **U.S. Cl.**
USPC **D21/746**
- (58) **Field of Classification Search**
USPC D21/736-746, 759
CPC A63B 53/00; A63B 53/04; A63B 53/007;
A63B 53/065; A63B 53/0487; A63B
60/00; A63B 60/46
See application file for complete search history.

OTHER PUBLICATIONS

Bob Sherwin, The Shoemaker's Son, Cascade Golfer; Dec. 2009, pp. 5256, vol. 3, Issue 4; (published by) Varsity Communications, Inc., Seattle, WA.

Primary Examiner — Mitchell I. Siegel
(74) *Attorney, Agent, or Firm* — Lowe Graham Jones PLLC; Michael J. Folise

(57) **CLAIM**

The ornamental design for a putter, is shown and described.

DESCRIPTION

FIG. 1 is a top left perspective view of a putter showing my new design.

FIG. 2 is a top plan view thereof.

FIG. 3 is a right side elevational view thereof, the undisclosed left side being a mirror image.

FIG. 4 is a rear elevational view thereof; and,

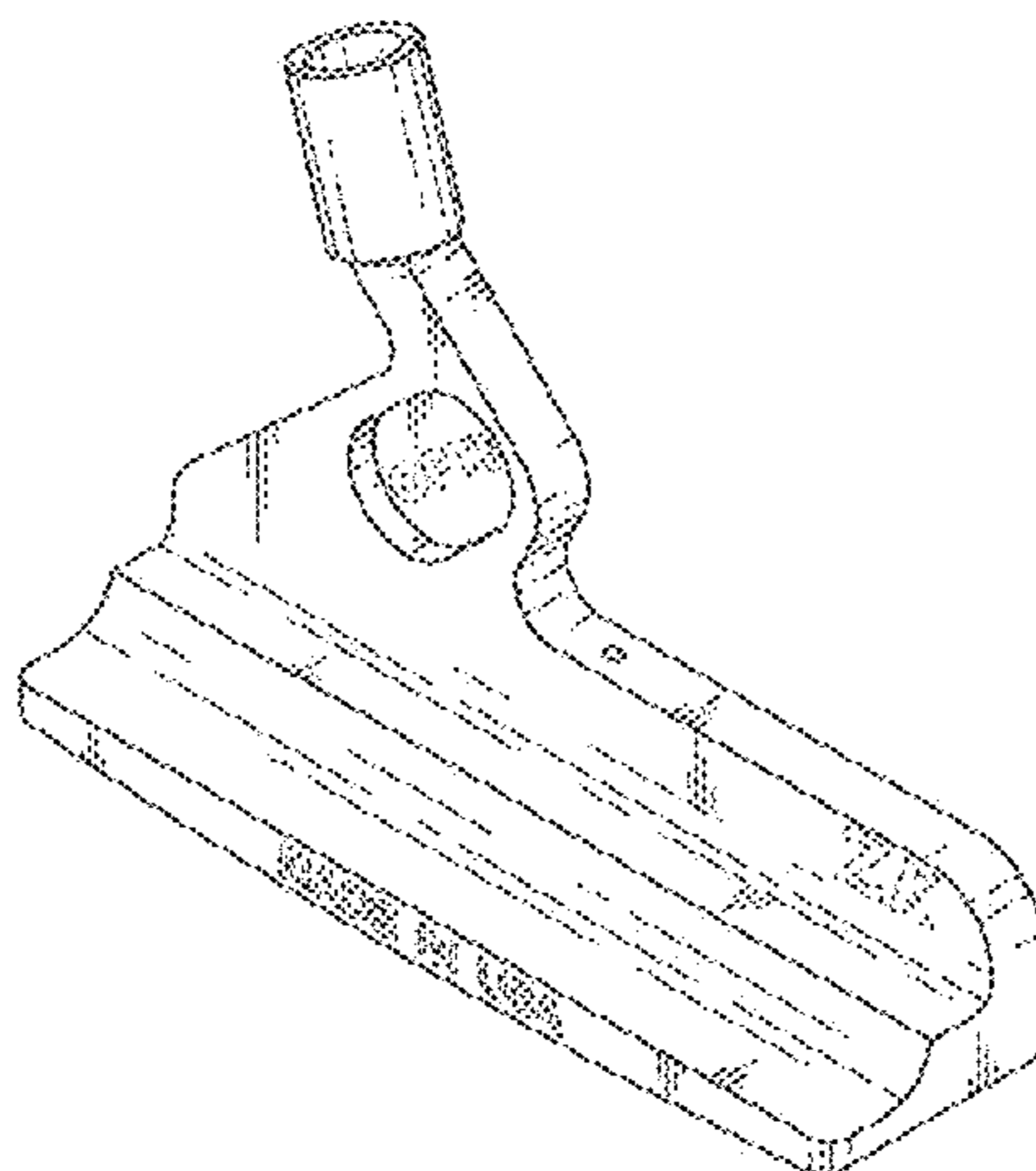
FIG. 5 is a bottom plan view thereof.

The phrases "OPTIC", "ZK" and "MADE IN USA" are for environmental purposes only and form no part of the claimed invention.

1 Claim, 2 Drawing Sheets

(56) **References Cited**
U.S. PATENT DOCUMENTS

D183,091 S	6/1958	Handzlik, Jr.	
D183,092 S	6/1958	Handzlik, Jr.	
3,042,405 A	7/1962	Solheim	
D209,761 S	1/1968	Solheim	
D239,951 S	5/1976	Carrier	
D254,084 S	1/1980	Hulyk	
D280,004 S *	8/1985	Worster D21/744
4,984,794 A	1/1991	Pernelle et al.	
5,014,992 A	5/1991	McCallister	
5,078,398 A	1/1992	Reed et al.	
5,226,654 A	7/1993	Solheim	



(56)

References Cited

U.S. PATENT DOCUMENTS

D741,427 S * 10/2015 Broom D21/743
D741,968 S * 10/2015 Broom D21/743

* cited by examiner

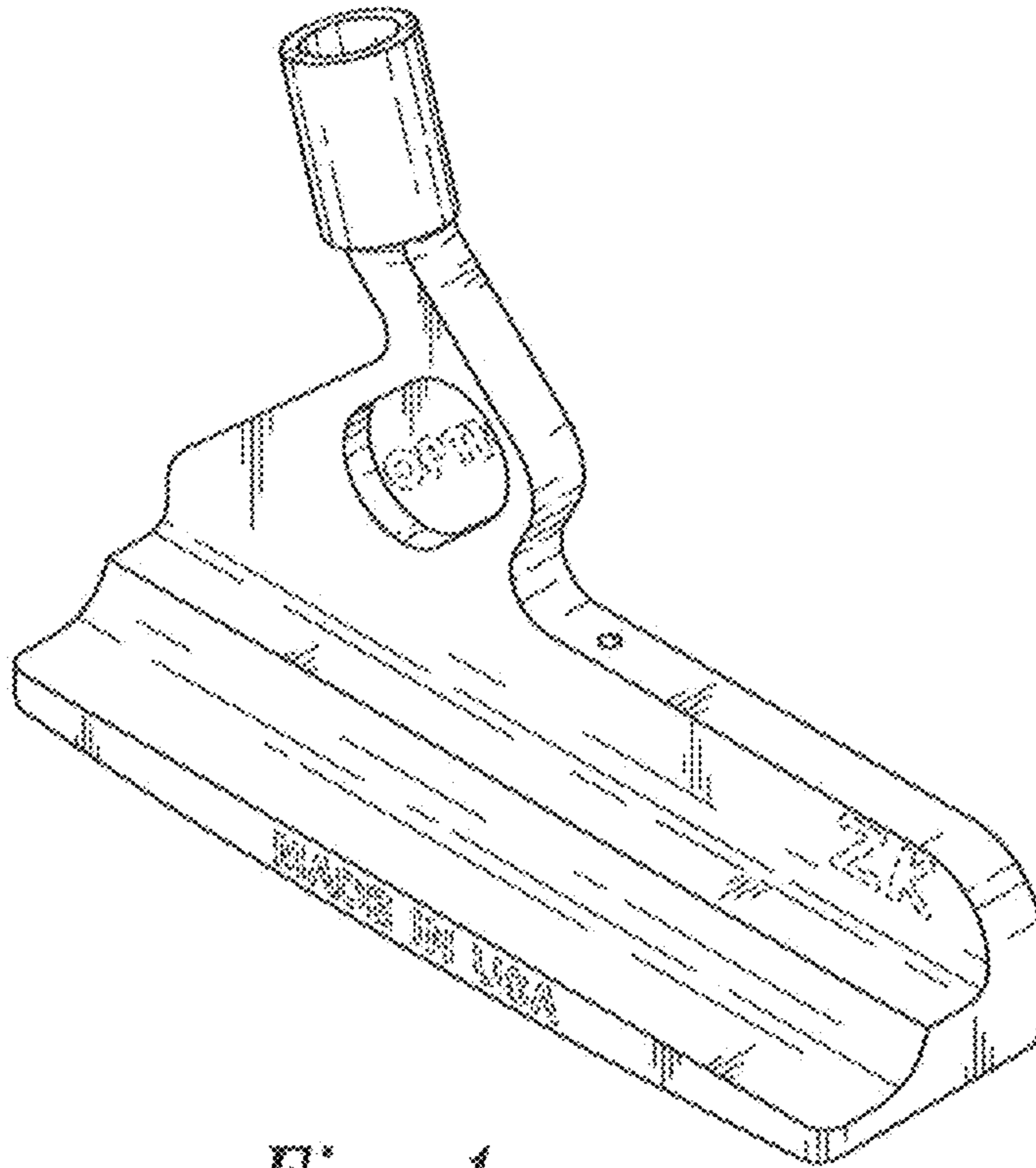


Fig. 1

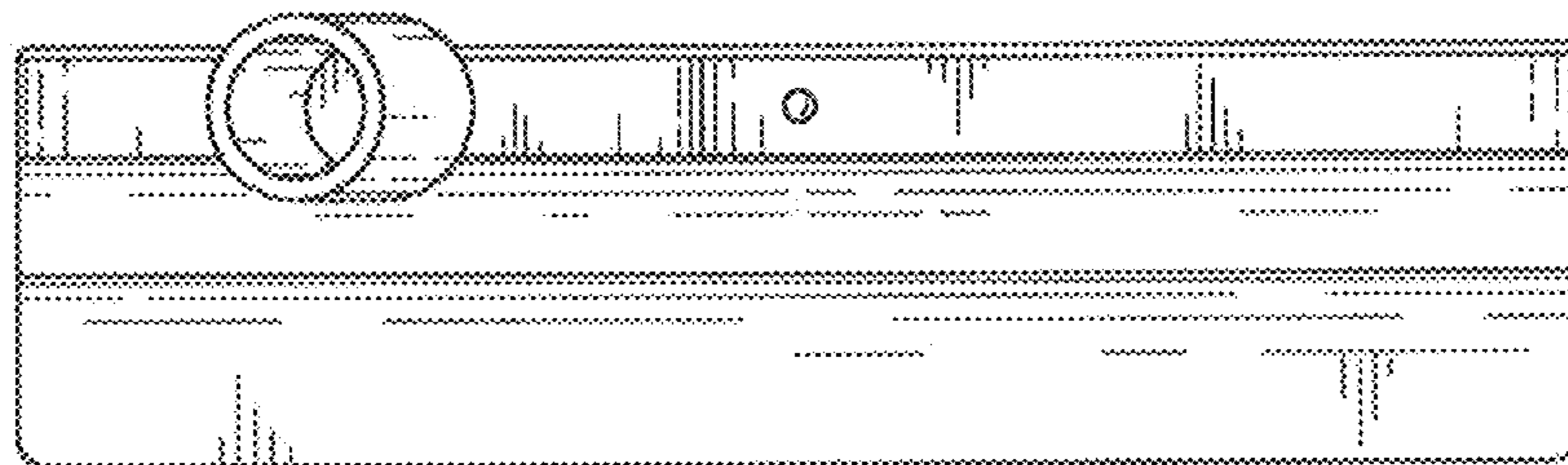


Fig. 2

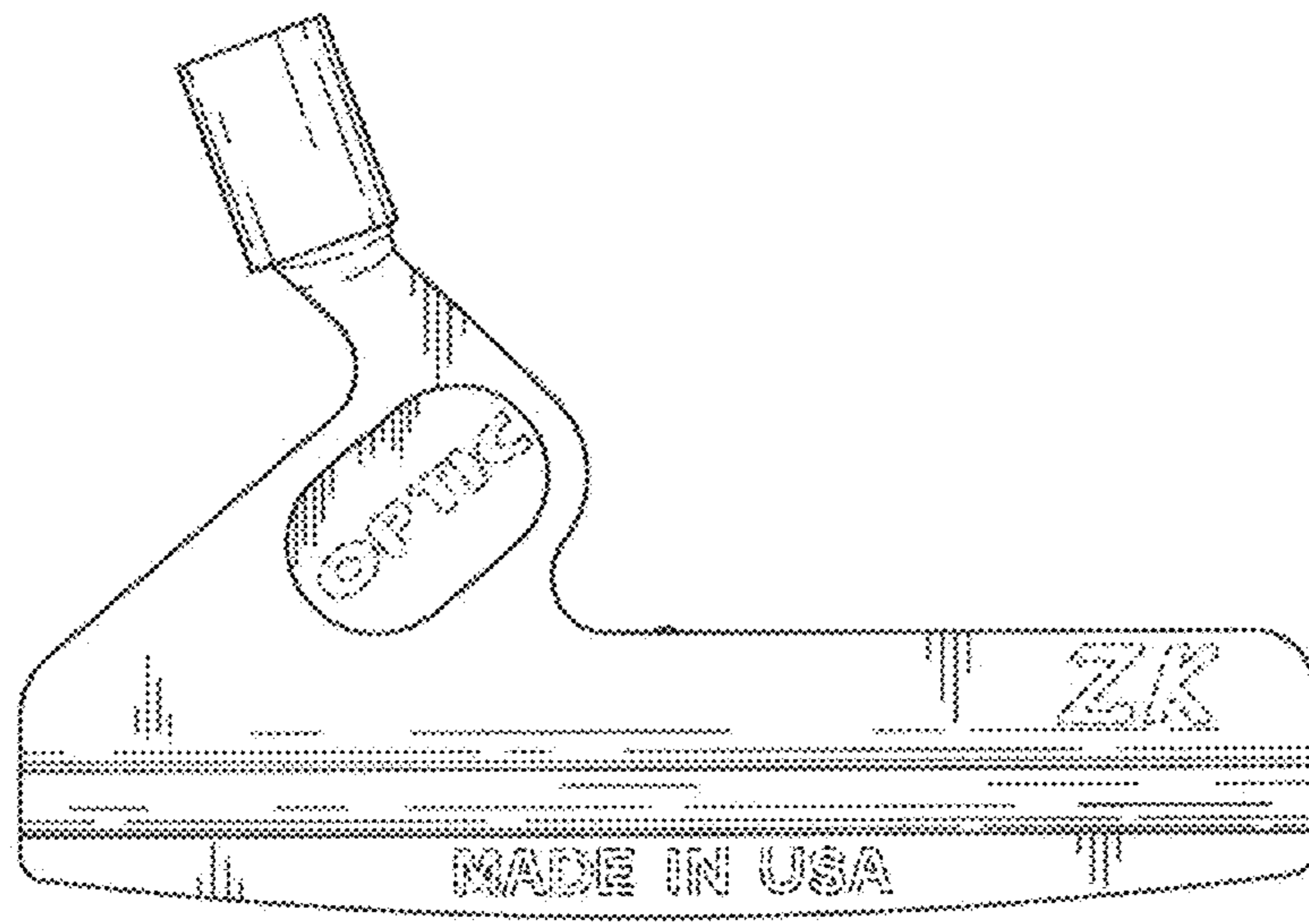


Fig. 3

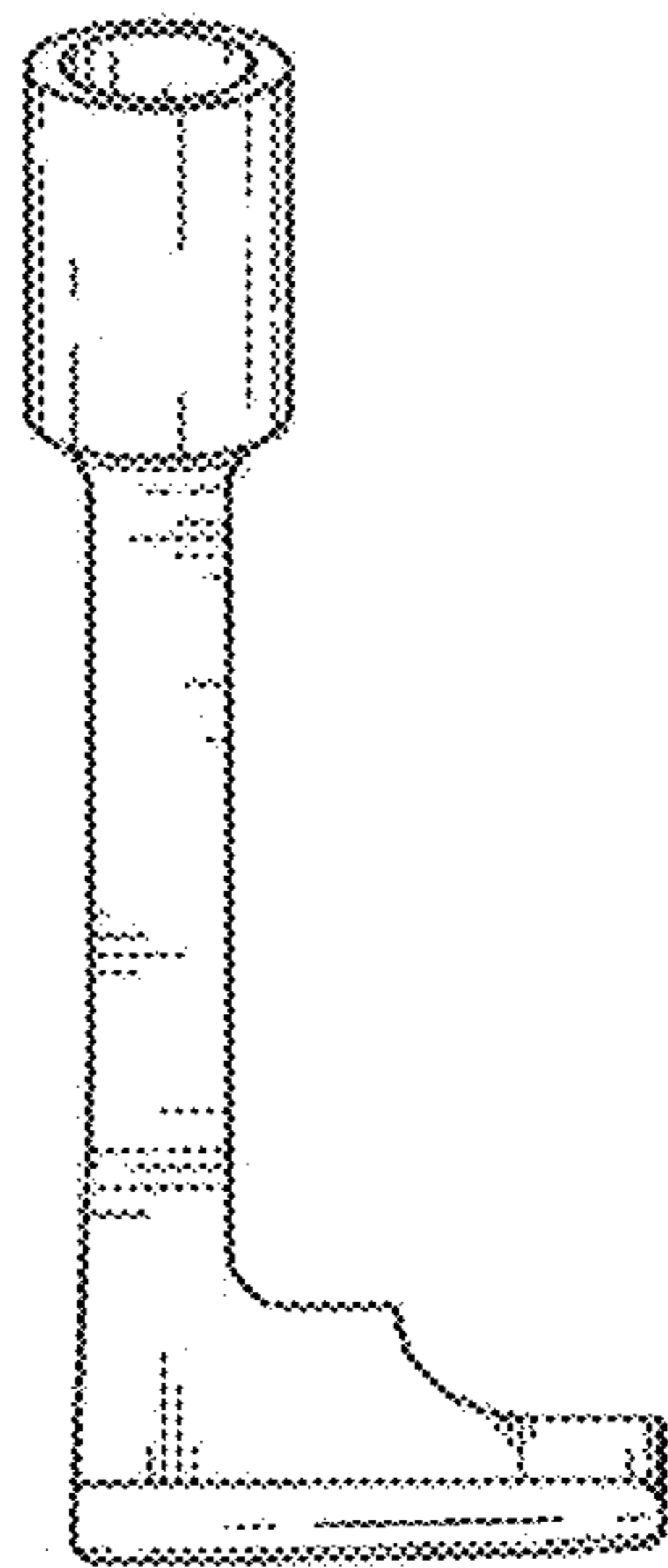


Fig. 4

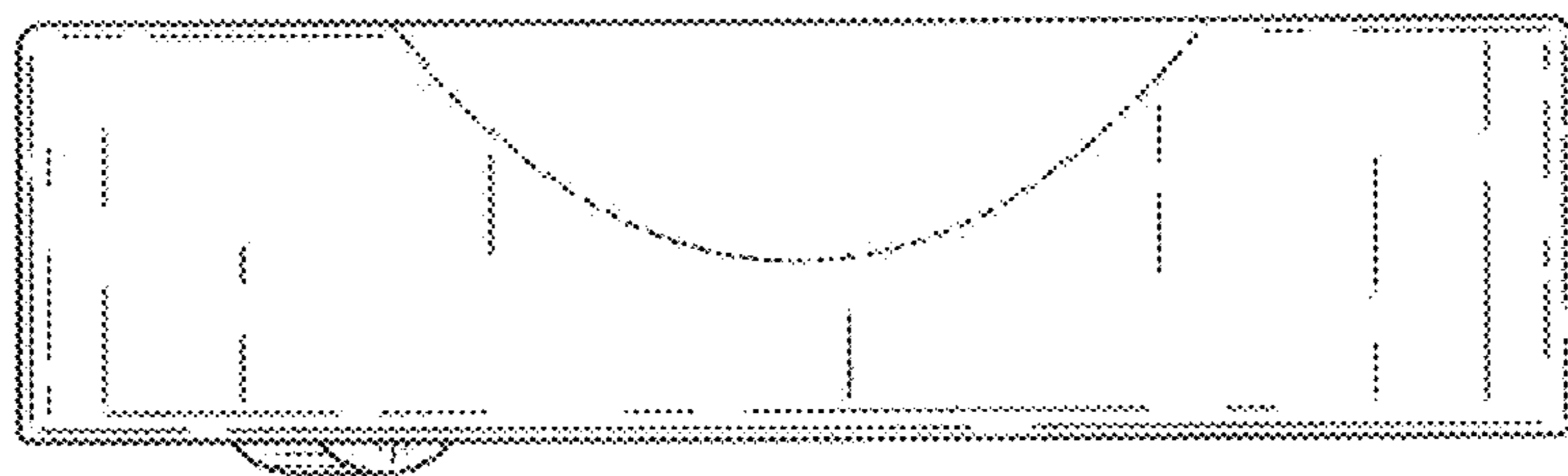


Fig. 5