

US00D832950S

(12) **United States Design Patent** (10) **Patent No.:** **US D832,950 S**
Serrano (45) **Date of Patent:** **** Nov. 6, 2018**

(54) **GOLF CLUB HEAD**
(71) Applicant: **KARSTEN MANUFACTURING CORPORATION**, Phoenix, AZ (US)
(72) Inventor: **Anthony D. Serrano**, Anthem, AZ (US)
(73) Assignee: **Karsten Manufacturing Corporation**, Phoenix, AZ (US)
(**) Term: **15 Years**
(21) Appl. No.: **29/612,003**
(22) Filed: **Jul. 27, 2017**
(51) **LOC (11) Cl.** **21-02**
(52) **U.S. Cl.**
USPC **D21/746**
(58) **Field of Classification Search**
USPC D21/736-746, 759
CPC A63B 53/00; A63B 53/04; A63B 53/007;
A63B 53/065; A63B 53/0487; A63B
60/00; A63B 60/46
See application file for complete search history.

(56) **References Cited**
U.S. PATENT DOCUMENTS
D240,751 S * 7/1976 Taylor D21/734
4,659,083 A * 4/1987 Szczepanski A63B 69/3685
473/252
D298,767 S * 11/1988 Szczepanski D21/744
D316,129 S 4/1991 Bryson
D360,010 S * 7/1995 Green D21/746
D375,131 S 10/1996 Williams
D382,615 S * 8/1997 Schaeffer D21/745
5,685,784 A 11/1997 Butler
D399,900 S 10/1998 Hogan
D458,979 S * 6/2002 Hill D21/736
D488,200 S 4/2004 Olsavsky

D496,417 S 9/2004 Tang
D500,109 S 12/2004 Solheim
D500,110 S 12/2004 Solheim
6,837,801 B1 1/2005 Souza et al.
6,878,071 B1 4/2005 Schwieger et al.
6,893,355 B2 5/2005 Souza et al.
D507,612 S 7/2005 Souza
D507,613 S 7/2005 Baiocchi
6,926,615 B1 8/2005 Souza et al.
6,960,140 B2 11/2005 Solheim et al.
6,966,845 B2 11/2005 Solheim et al.
D520,584 S 5/2006 Karlson
D521,582 S 5/2006 Souza
7,052,411 B2 5/2006 Solheim et al.
D522,598 S 6/2006 Solheim
7,077,758 B2 7/2006 Rohrer
7,086,957 B2 8/2006 Solheim et al.
D529,108 S 9/2006 Stites
D533,243 S 12/2006 Fife
7,235,021 B2 6/2007 Solheim et al.

(Continued)

Primary Examiner — Mitchell I. Siegel

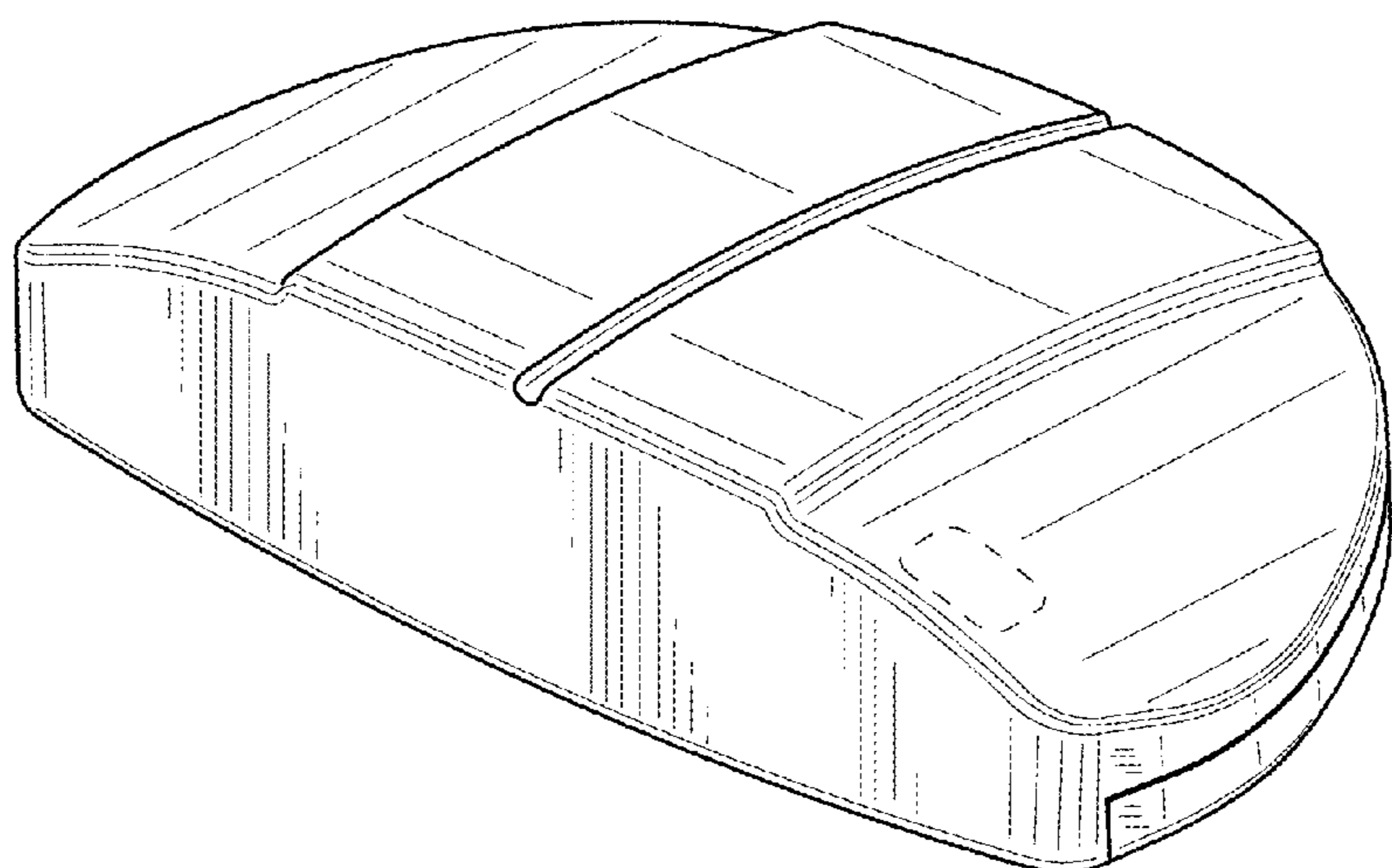
(57) **CLAIM**

The ornamental design for a golf club head, as shown and described.

DESCRIPTION

FIG. 1 is a front perspective view of a golf club head; FIG. 2 is a rear perspective view of the golf club head of FIG. 1; FIG. 3 is a front view of the golf club head of FIG. 1; FIG. 4 is a rear view of the golf club head of FIG. 1; FIG. 5 is a top view of the golf club head of FIG. 1; FIG. 6 is a bottom view of the golf club head of FIG. 1; FIG. 7 is a heel view of the golf club head of FIG. 1; and, FIG. 8 is a toe view of the golf club head of FIG. 1. The broken line showing is included for the purpose of illustrating unclaimed subject matter and forms no part of the claimed design.

1 Claim, 4 Drawing Sheets



(56)

References Cited

U.S. PATENT DOCUMENTS

D548,295 S	8/2007	Jertson	D621,462 S	8/2010	Serrano
7,255,650 B2	8/2007	Braynt et al.	D621,891 S	8/2010	Serrano
D552,197 S	10/2007	Wells	7,803,066 B2	9/2010	Solheim et al.
D565,137 S	3/2008	Oldknow	D638,891 S	5/2011	Nicolette
D569,460 S	5/2008	Walker	D643,080 S	8/2011	Serrano
D569,462 S	5/2008	Rollinson	D643,485 S	8/2011	Nicolette et al.
D571,879 S	5/2008	Jones et al.	D643,486 S	8/2011	Serrano
D574,907 S	8/2008	Jones et al.	D643,487 S	8/2011	Serrano
D581,473 S	11/2008	Thomas	8,100,779 B2	1/2012	Solheim et al.
D583,003 S	12/2008	Solheim	D653,718 S	2/2012	Stokke
D587,325 S	2/2009	Solheim	8,109,838 B2	2/2012	Solheim et al.
D594,073 S	6/2009	Kadoya	D664,617 S	7/2012	Serrano
D595,372 S	6/2009	Rollinson	D715,388 S *	10/2014	Serrano D21/743
D600,294 S *	9/2009	Mills D21/736	D735,283 S	7/2015	Solheim
D600,760 S	9/2009	Serrano	D754,805 S	4/2016	Serrano
D600,761 S	9/2009	Solheim	D774,610 S *	12/2016	Serrano D21/744
D600,762 S	9/2009	Serrano	D776,771 S *	1/2017	Peterson D21/744
D607,950 S	1/2010	Souza	D797,222 S *	9/2017	Serrano D21/744
D621,458 S	8/2010	Serrano	2003/0083149 A1	5/2003	Scarpa et al.
D621,460 S	8/2010	Serrano	2006/0094533 A1	5/2006	Warren et al.
D621,461 S	8/2010	Serrano	2006/0166755 A1	7/2006	Brown
			2007/0191135 A1	8/2007	Nilsson et al.
			2010/0227704 A1	9/2010	Souza et al.
			2014/0179459 A1	6/2014	Schartiger et al.

* cited by examiner

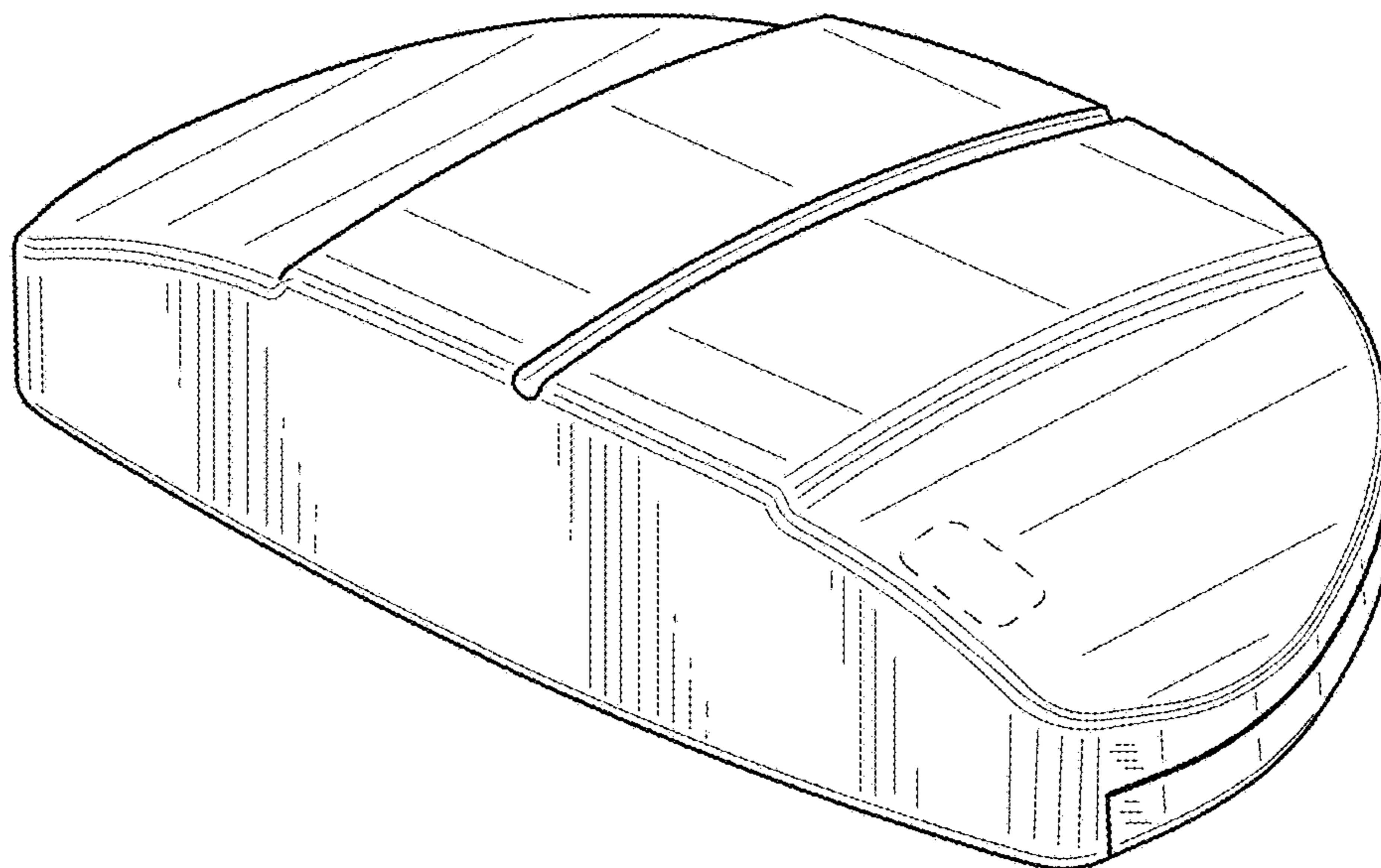


FIG.1

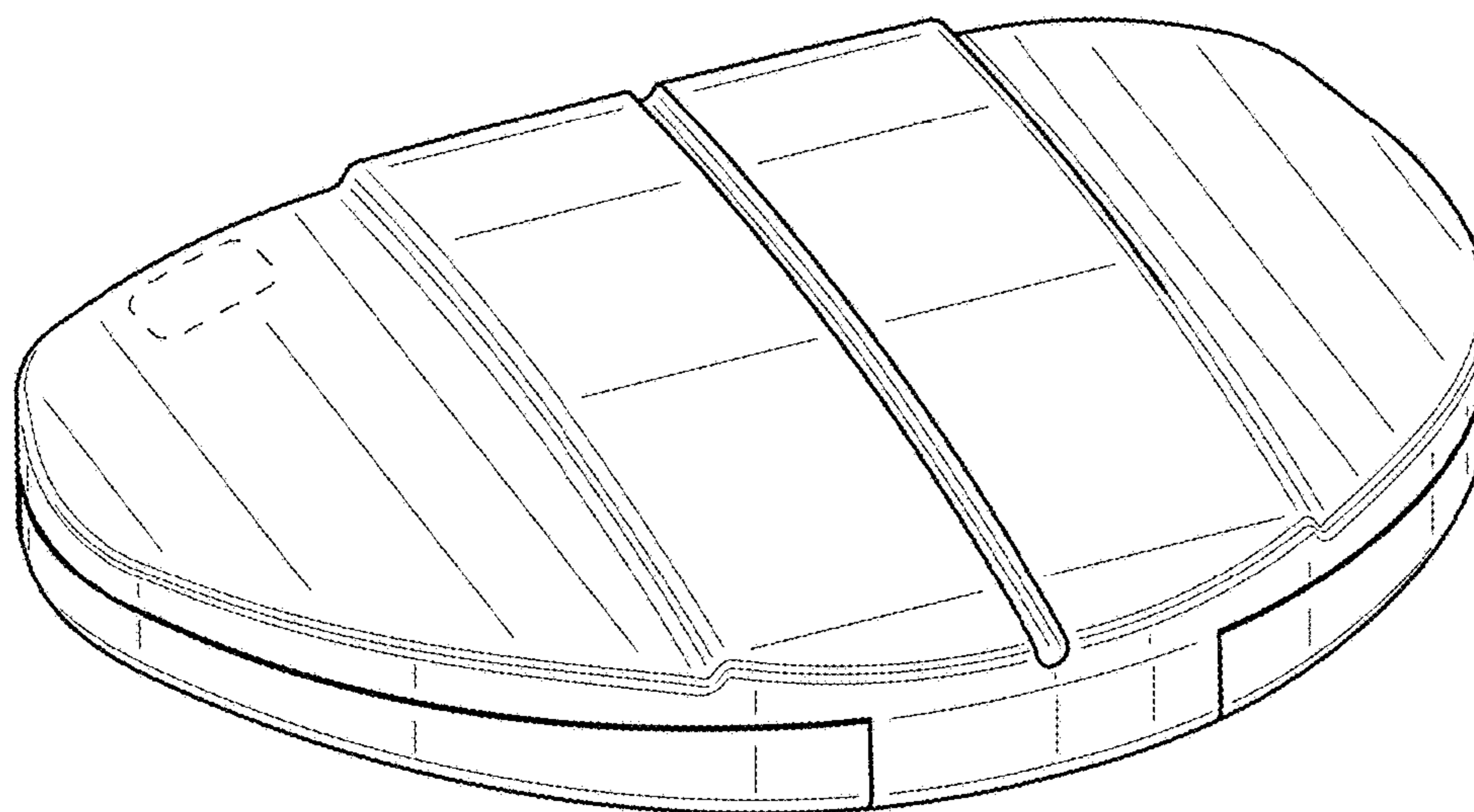


FIG.2

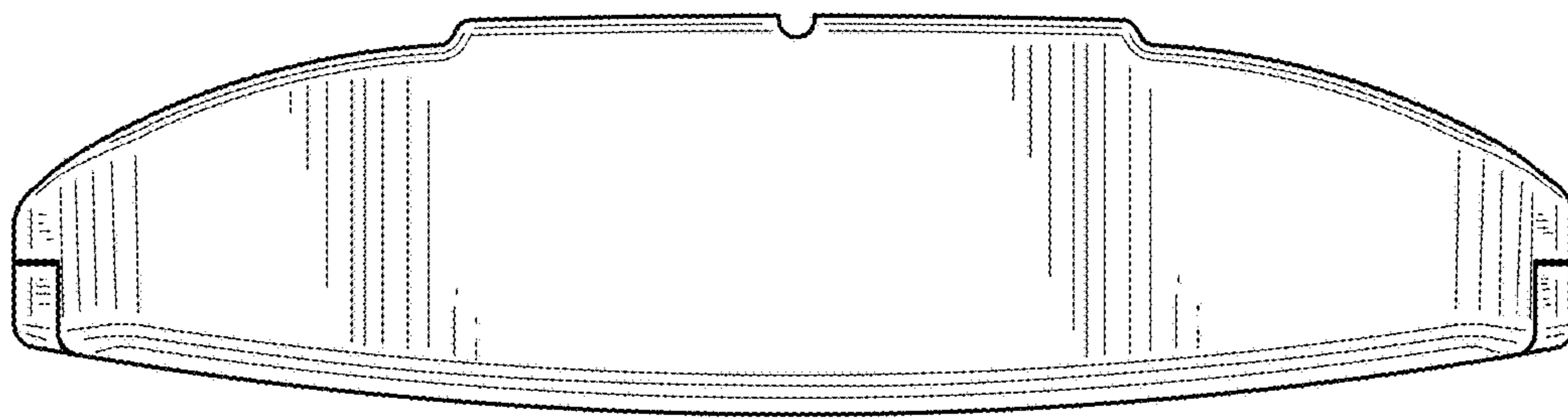


FIG.3

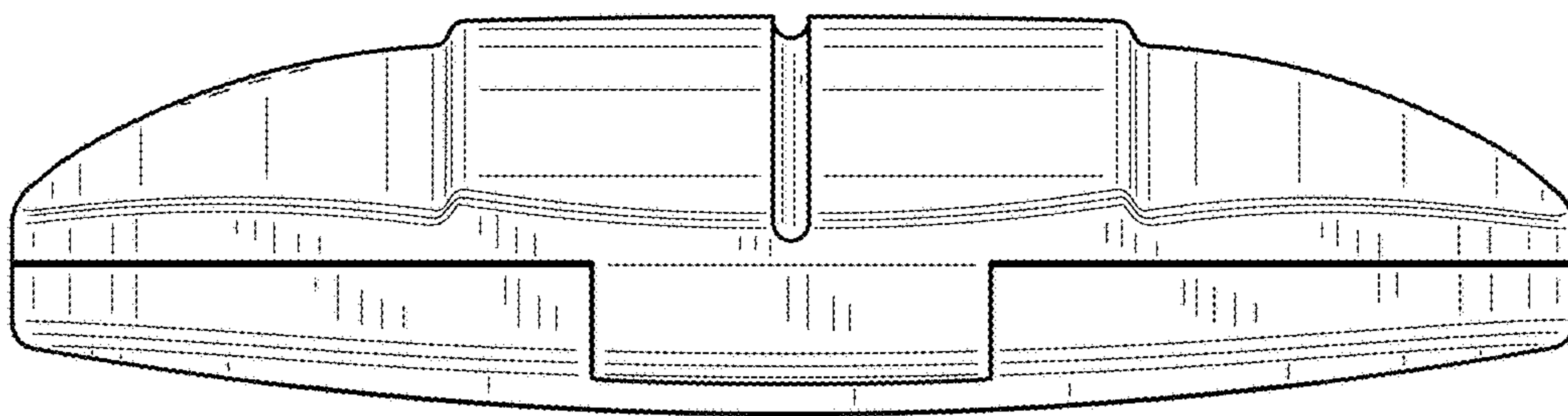


FIG.4

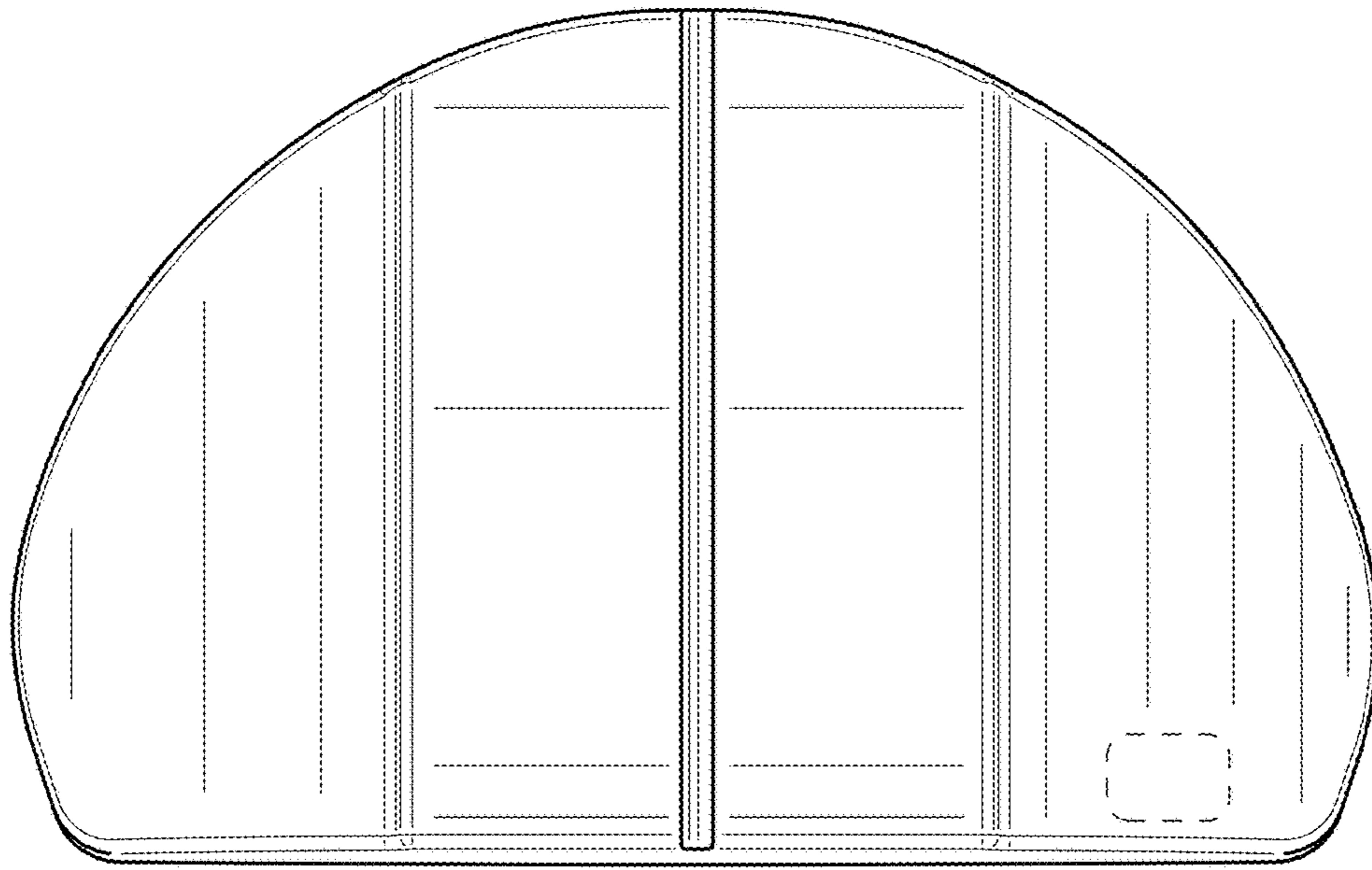


FIG. 5

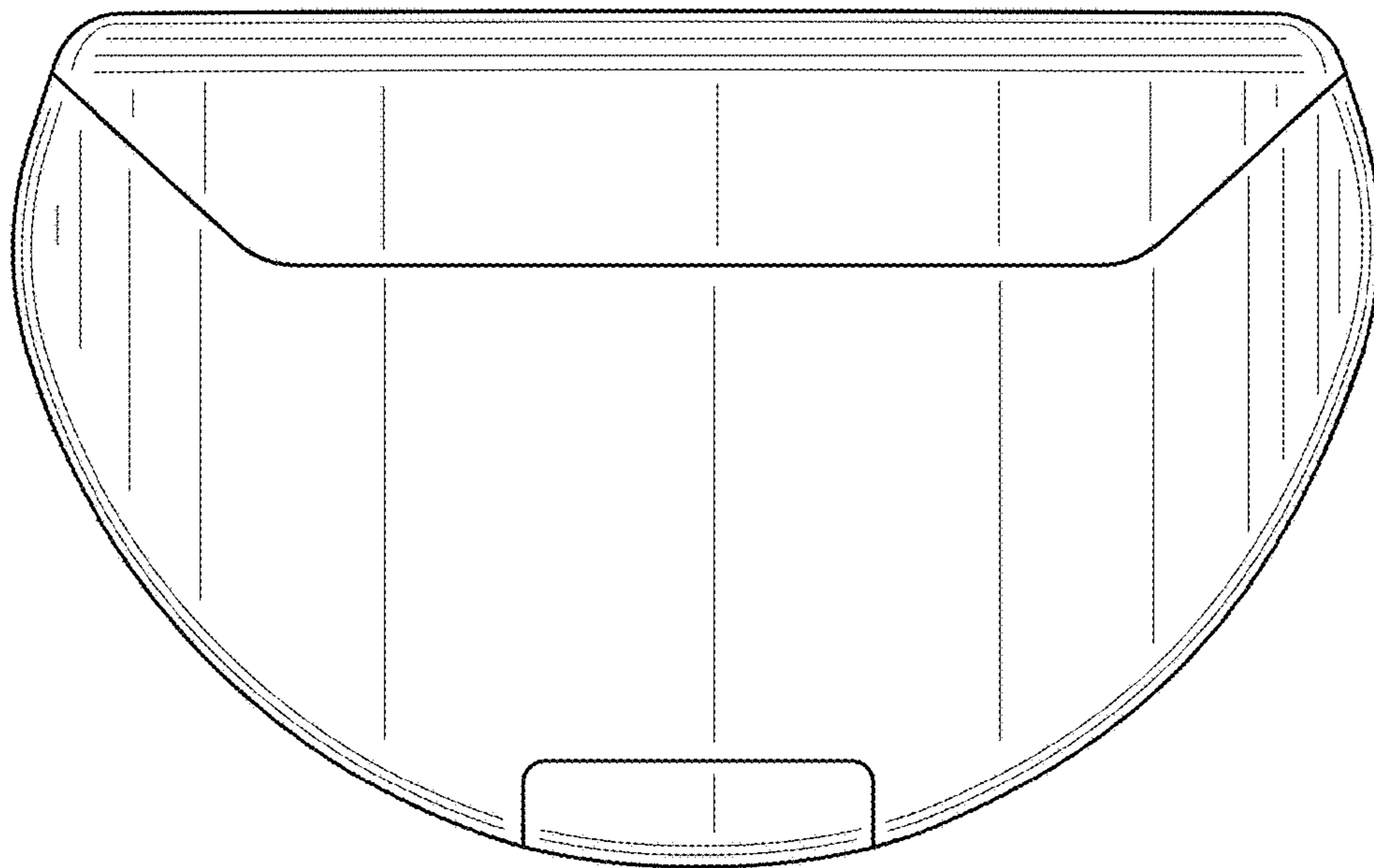


FIG. 6

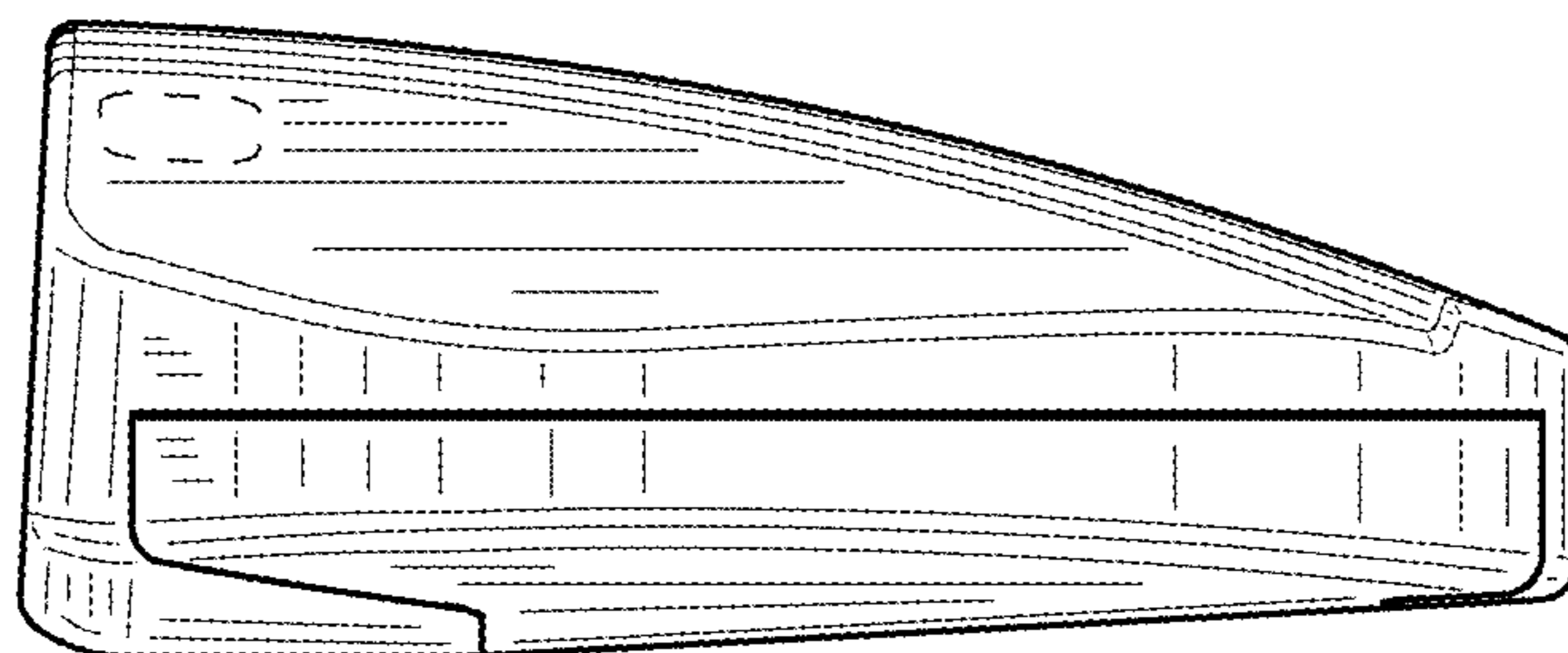


FIG. 7

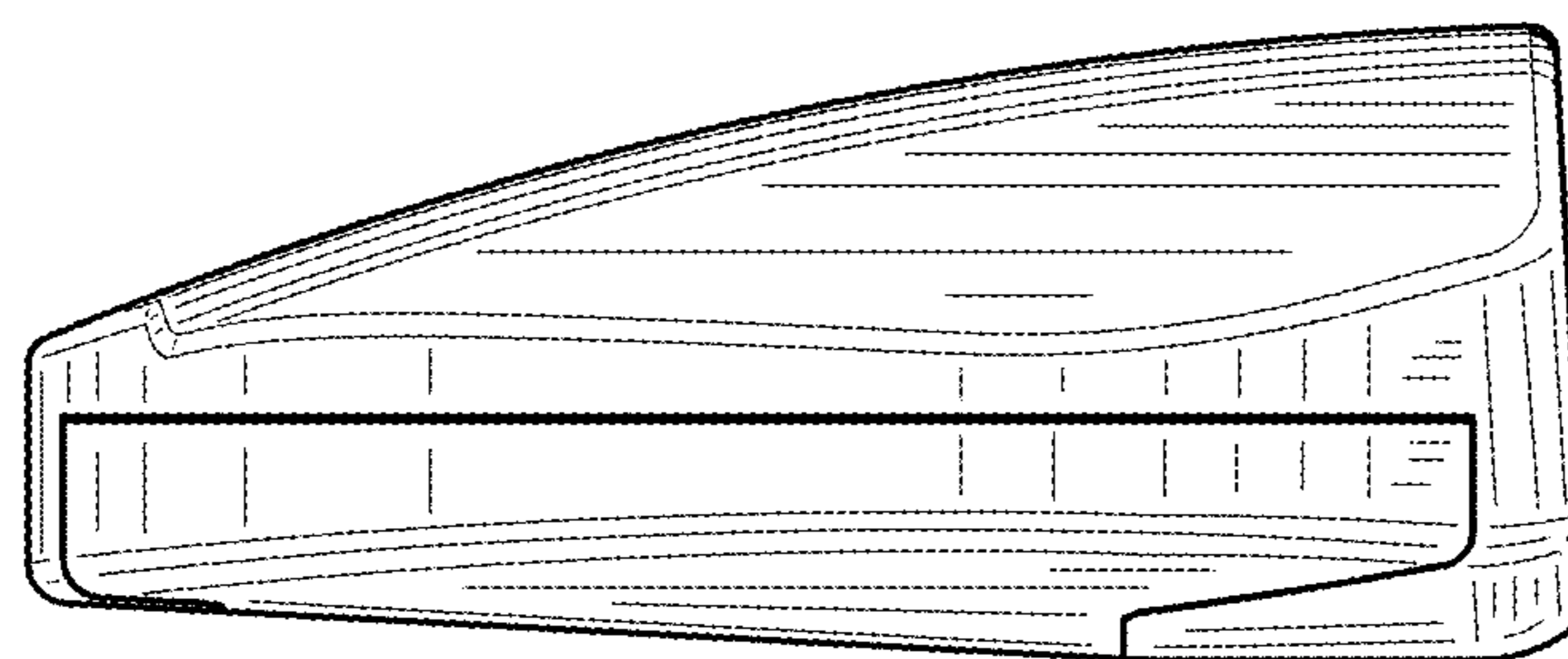


FIG. 8