



US00D832949S

(12) **United States Design Patent** (10) **Patent No.:** **US D832,949 S**
Nicolette (45) **Date of Patent:** **** Nov. 6, 2018**

(54) **GOLF CLUB HEAD**

OTHER PUBLICATIONS

(71) Applicant: **PARSONS XTREME GOLF, LLC**,
Scottsdale, AZ (US)

U.S. Appl. No. 29/523,587, Schweigert, "Golf Club Head," filed
Apr. 10, 2015.

(Continued)

(72) Inventor: **Michael R. Nicolette**, Scottsdale, AZ
(US)

Primary Examiner — Mitchell I. Siegel

(73) Assignee: **PARSONS XTREME GOLF, LLC**,
Scottsdale, AZ (US)

(57) **CLAIM**

The ornamental design for a golf club head, as shown and
described.

(**) Term: **15 Years**

DESCRIPTION

(21) Appl. No.: **29/611,789**

(22) Filed: **Jul. 25, 2017**

Related U.S. Application Data

(63) Continuation-in-part of application No. 29/607,542,
filed on Jun. 14, 2017.

(51) **LOC (11) Cl.** **21-02**

(52) **U.S. Cl.**
USPC **D21/736; D21/746**

(58) **Field of Classification Search**
USPC D21/736-746, 759
CPC A63B 53/00; A63B 53/04; A63B 53/007;
A63B 53/065; A63B 53/0487; A63B
60/00; A63B 60/46

See application file for complete search history.

(56) **References Cited**

U.S. PATENT DOCUMENTS

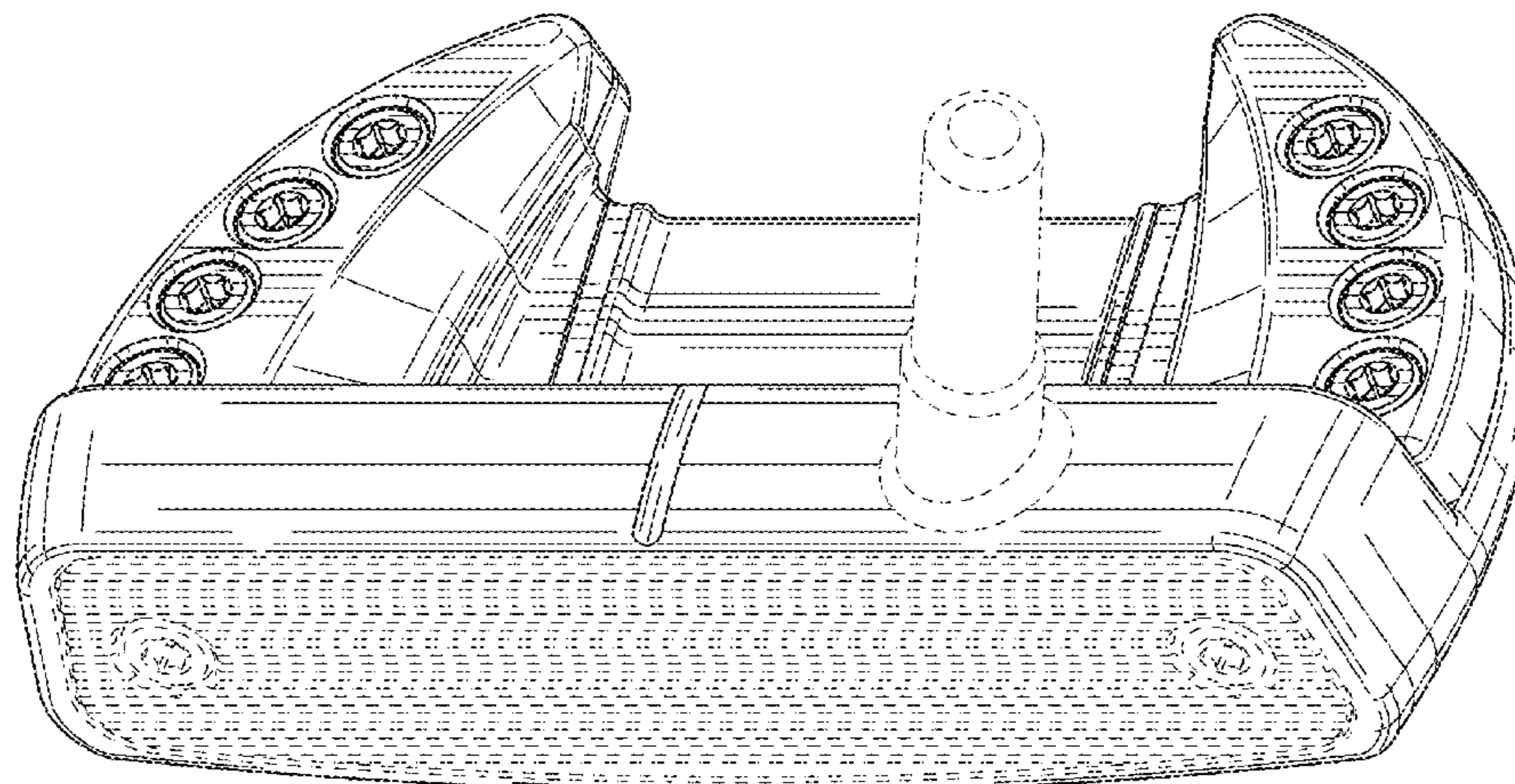
922,444 A 5/1909 Youds
RE19,178 E 5/1934 Spiker
(Continued)

FOREIGN PATENT DOCUMENTS

JP 2005/160691 A 6/2005

FIG. 1 is a top perspective view of a golf club head;
FIG. 2 is a bottom perspective view of the golf club head of
FIG. 1;
FIG. 3 is a front elevational view of the golf club head of
FIG. 1;
FIG. 4 is a rear elevational view of the golf club head of FIG.
1;
FIG. 5 is a top view of the golf club head of FIG. 1;
FIG. 6 is a bottom view of the golf club head of FIG. 1;
FIG. 7 is a left side view of the golf club head of FIG. 1;
FIG. 8 is a right side view of the golf club head of FIG. 1;
FIG. 9 is a top perspective view of a second embodiment of
a golf club head;
FIG. 10 is a bottom perspective view of the golf club head
of FIG. 9;
FIG. 11 is a front elevational view of the golf club head of
FIG. 9;
FIG. 12 is a rear elevational view of the golf club head of
FIG. 9;
FIG. 13 is a top view of the golf club head of FIG. 9;
FIG. 14 is a bottom view of the golf club head of FIG. 9;
FIG. 15 is a left side view of the golf club head of FIG. 9;
and,
FIG. 16 is a right side view of the golf club head of FIG. 9.
The broken line showing is included for the purpose of
illustrating unclaimed subject matter and forms no part of
the claimed design.

1 Claim, 16 Drawing Sheets



(56)

References Cited

U.S. PATENT DOCUMENTS

4,043,562 A	8/1977	Shillington	7,396,289 B2	7/2008	Soracco et al.	
4,754,977 A	7/1988	Sahm	D574,908 S *	8/2008	Hettinger	D21/743
4,869,507 A	9/1989	Sahm	D577,085 S	9/2008	Nicolette et al.	
D335,317 S	5/1993	Shearer	D577,086 S	9/2008	Nicolette et al.	
D335,692 S	5/1993	Antonious	D579,506 S	10/2008	Nicolette et al.	
D336,757 S	6/1993	Antonious	D579,995 S	11/2008	Nicolette et al.	
D350,582 S	9/1994	Miansian et al.	D582,497 S *	12/2008	Rollinson	D21/744
5,429,366 A	7/1995	McCabe	7,473,189 B2	1/2009	Schweigert et al.	
D363,101 S	10/1995	Sturm	7,491,131 B2	2/2009	Vinton	
D365,864 S	1/1996	Sturm	D589,575 S *	3/2009	Kim	D21/744
5,489,097 A	2/1996	Simmons	D591,807 S *	5/2009	Rollinson	D21/744
D368,751 S	4/1996	Rife	D595,373 S *	6/2009	Kim	D21/744
D369,393 S	4/1996	Takahashi et al.	D595,793 S	7/2009	Rollinson	
5,571,053 A	11/1996	Lane	D599,425 S	9/2009	Laub	
D378,688 S	4/1997	Cameron	D600,763 S	9/2009	Cameron	
D385,609 S	10/1997	Cameron	7,744,485 B2	6/2010	Jones et al.	
5,683,307 A	11/1997	Rife	D620,993 S	8/2010	Laub	
D388,143 S	12/1997	Huan-Chiang	D621,461 S	8/2010	Serrano	
D389,207 S	1/1998	Cameron	D623,709 S	9/2010	Serrano et al.	
D396,685 S	9/1998	Masuda	D631,925 S	2/2011	Broom	
D399,290 S	10/1998	Sizemore, Jr.	7,887,432 B2	2/2011	Jones et al.	
D399,911 S	10/1998	Nicolette et al.	7,909,707 B2	3/2011	Klein	
5,839,974 A	11/1998	McAllister	7,918,745 B2	4/2011	Morris et al.	
D405,836 S	2/1999	Nicolette et al.	D636,891 S	5/2011	Nicolette et al.	
D409,701 S	5/1999	Ashcraft et al.	D642,643 S	8/2011	Nicolette et al.	
5,924,938 A	7/1999	Hines	D643,485 S	8/2011	Nicolette et al.	
D422,655 S	4/2000	Hicks	D645,104 S	9/2011	Nicolette et al.	
D426,276 S	6/2000	Besnard et al.	8,096,039 B2	1/2012	Soracco et al.	
D431,854 S	10/2000	Cameron	D653,718 S	2/2012	Stokke et al.	
D432,192 S	10/2000	Hicks	D661,753 S	6/2012	Cameron et al.	
D436,151 S	1/2001	Nicolette et al.	D666,260 S	8/2012	Cynn	
D437,374 S	2/2001	Cameron	8,376,878 B2	2/2013	Bennett et al.	
D441,820 S	5/2001	Nicolette et al.	D688,339 S	8/2013	Hilton et al.	
D443,668 S	6/2001	Nicolette et al.	D688,341 S *	8/2013	Rollinson	D21/746
D443,905 S	6/2001	Nicolette et al.	D691,226 S *	10/2013	Hilton	D21/746
D444,833 S	7/2001	Wells et al.	D699,308 S	2/2014	Rollinson	
6,264,571 B1	7/2001	Lekavich	D704,782 S	5/2014	Rollinson	
D449,664 S	10/2001	Beebe et al.	8,721,472 B2	5/2014	Kuan et al.	
D449,865 S	10/2001	Fife, Jr. et al.	8,790,193 B2	7/2014	Serrano et al.	
D450,799 S	11/2001	Nicolette et al.	D711,483 S	8/2014	Wong	
D451,973 S	12/2001	Wells et al.	D715,388 S	10/2014	Serrano	
6,348,014 B1	2/2002	Chiu	D722,350 S	2/2015	Schweigert	
6,354,959 B1	3/2002	Nicolette et al.	D722,351 S *	2/2015	Parsons	D21/736
6,394,910 B1	5/2002	McCarthy	D722,352 S	2/2015	Nicolette et al.	
D472,949 S	4/2003	Serrano	D723,120 S	2/2015	Nicolette	
D474,821 S	5/2003	Wells et al.	D724,164 S	3/2015	Schweigert et al.	
D474,949 S	5/2003	Schaffeld et al.	D725,208 S *	3/2015	Schweigert	D21/743
D483,086 S	12/2003	Schweigert et al.	D726,265 S	4/2015	Nicolette	
D486,872 S	2/2004	Schweigert et al.	D726,846 S *	4/2015	Schweigert	D21/743
D488,200 S	4/2004	Olsavsky	D728,715 S *	5/2015	Cameron	D21/736
D498,276 S	11/2004	Schweigert et al.	D730,462 S	5/2015	Becktor	
6,902,496 B2	6/2005	Solheim et al.	D731,605 S *	6/2015	Rollinson	D21/736
D512,116 S	11/2005	Miraflor et al.	D732,122 S	6/2015	Becktor	
6,988,956 B2	1/2006	Cover et al.	D732,618 S	6/2015	Becktor	
D520,088 S	5/2006	Parr	D733,234 S	6/2015	Nicolette	
D531,242 S	10/2006	Adams	D738,447 S	9/2015	Schweigert	
D532,067 S	11/2006	Soracco et al.	D738,449 S *	9/2015	Schweigert	D21/759
D532,845 S *	11/2006	Rollinson	D739,487 S	9/2015	Schweigert	
7,153,220 B2	12/2006	Lo	D741,426 S	10/2015	Schweigert	
D534,595 S	1/2007	Hasebe	D748,213 S *	1/2016	Parsons	D21/742
7,156,752 B1	1/2007	Bennett	D748,215 S *	1/2016	Parsons	D21/759
D536,401 S	2/2007	Kawami	9,233,283 B2	1/2016	Schweigert	
D536,403 S	2/2007	Kawami	D750,186 S *	2/2016	Schweigert	D21/746
D538,371 S	3/2007	Kawami	D753,252 S	4/2016	Schweigert	
7,204,765 B2	4/2007	Cover et al.	9,440,124 B2	9/2016	Parsons et al.	
D542,869 S	5/2007	Adams	D768,248 S *	10/2016	Rollinson	D21/744
D543,598 S	5/2007	Kuan et al.	D773,573 S *	12/2016	Abbott	D21/744
D543,601 S	5/2007	Kawami	D776,771 S *	1/2017	Peterson	D21/744
D555,219 S	11/2007	Lin	D777,270 S *	1/2017	Rollinson	D21/744
D556,277 S	11/2007	Broom	D799,617 S *	10/2017	Becktor	D21/742
D561,854 S	2/2008	Morris	D807,453 S *	1/2018	Serrano	D21/743
7,331,876 B2	2/2008	Klein	D812,164 S *	3/2018	Parsons	D21/742
7,351,162 B2	4/2008	Soracco et al.	D813,963 S *	3/2018	Lapuz	D21/742
D569,461 S	5/2008	Morris	D815,222 S *	4/2018	Serrano	D21/743
D569,930 S	5/2008	Nehrbas	D815,703 S *	4/2018	Schweigert	D21/736
			2007/0142122 A1	6/2007	Bonneau	
			2007/0207875 A1	9/2007	Kuan et al.	
			2007/0238548 A1	10/2007	Johnson	
			2008/0139333 A1	6/2008	Klein	

(56)

References Cited

U.S. PATENT DOCUMENTS

2008/0146372 A1 6/2008 John
2008/0176672 A1 7/2008 Roach et al.
2011/0165959 A1 7/2011 Klein
2013/0165256 A1 6/2013 Stevenson
2013/0210537 A1 8/2013 Ainscough et al.

OTHER PUBLICATIONS

TourSpecGolf (Gold's Factory Multi Weighted Custom Putter)
[online]. Nov. 20, 2010 [retrieved Apr. 21, 2016]. Retrieved from
the internet: <URL: <http://www.tourspecgolf.com/blog/golds-factory-multi-weighted-custom-putter/>>.

* cited by examiner

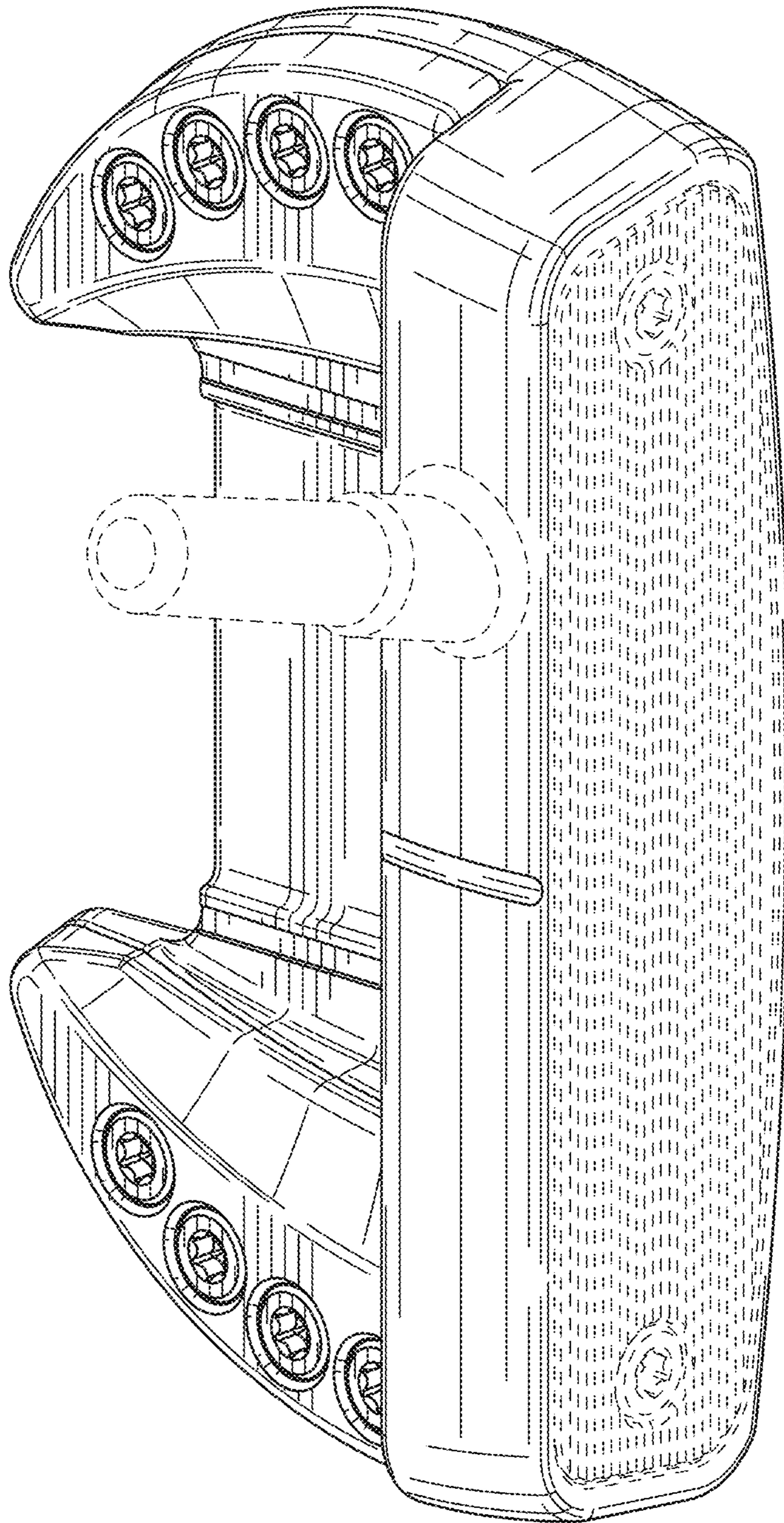


FIG. 1

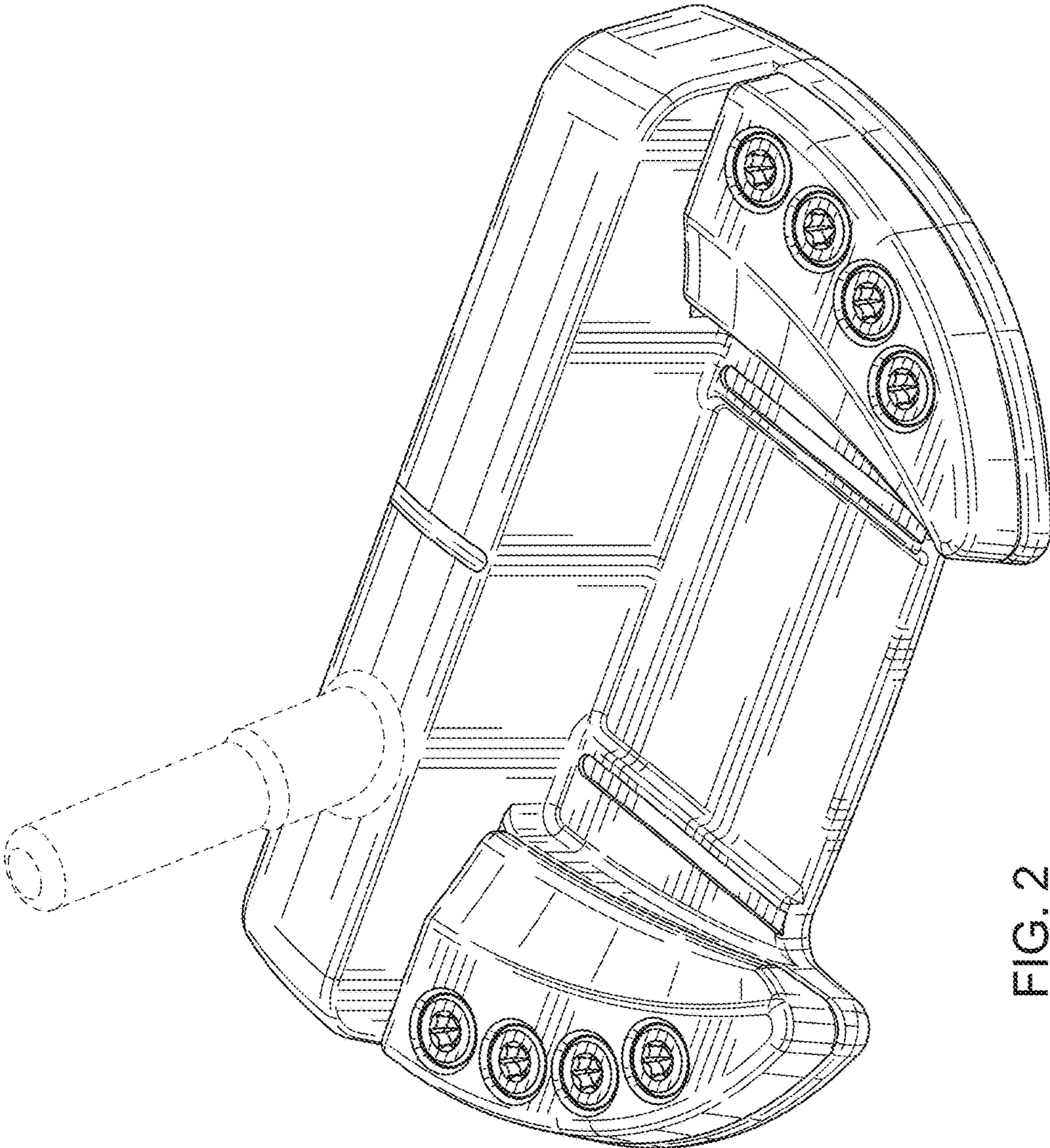


FIG. 2

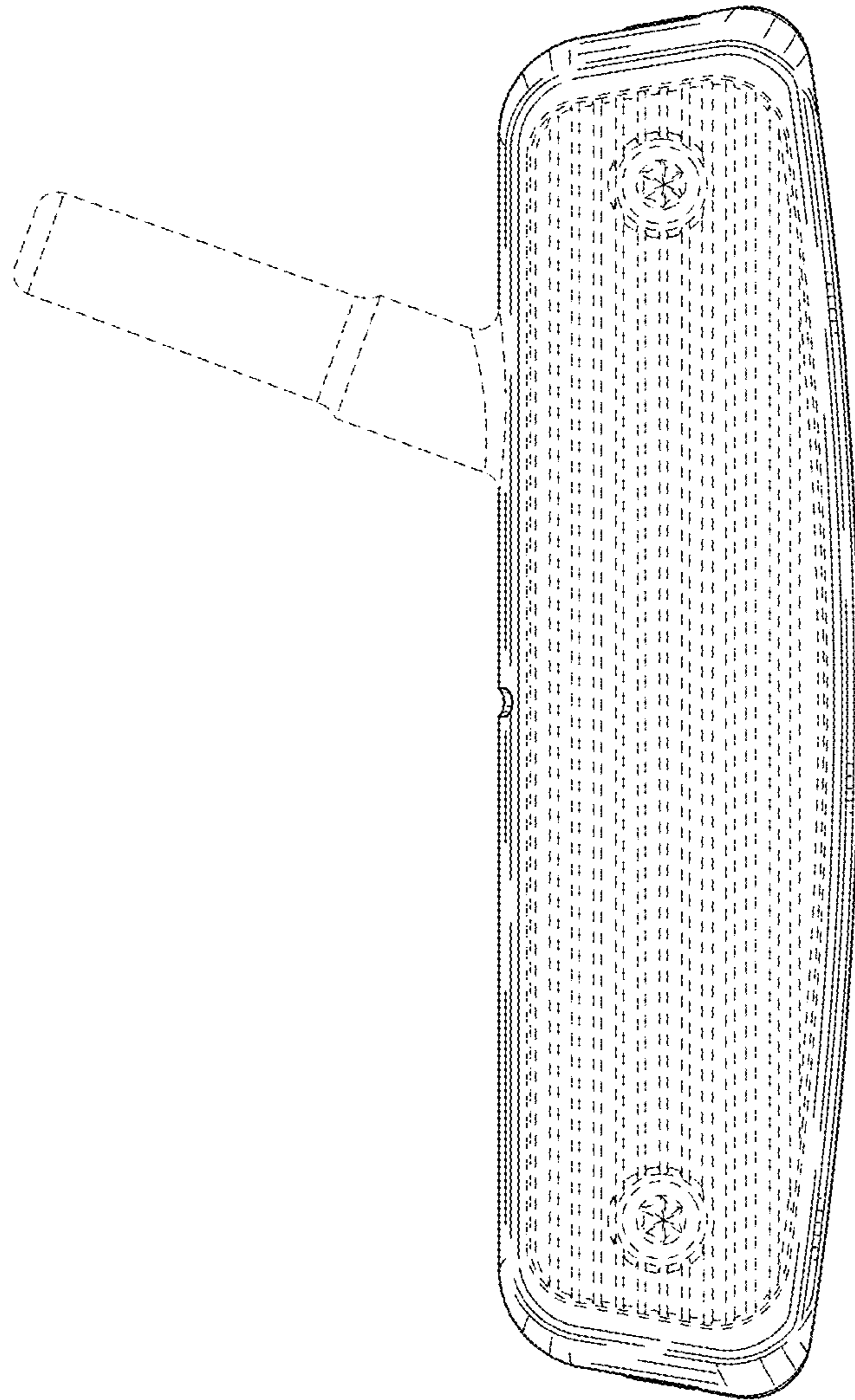


FIG. 3

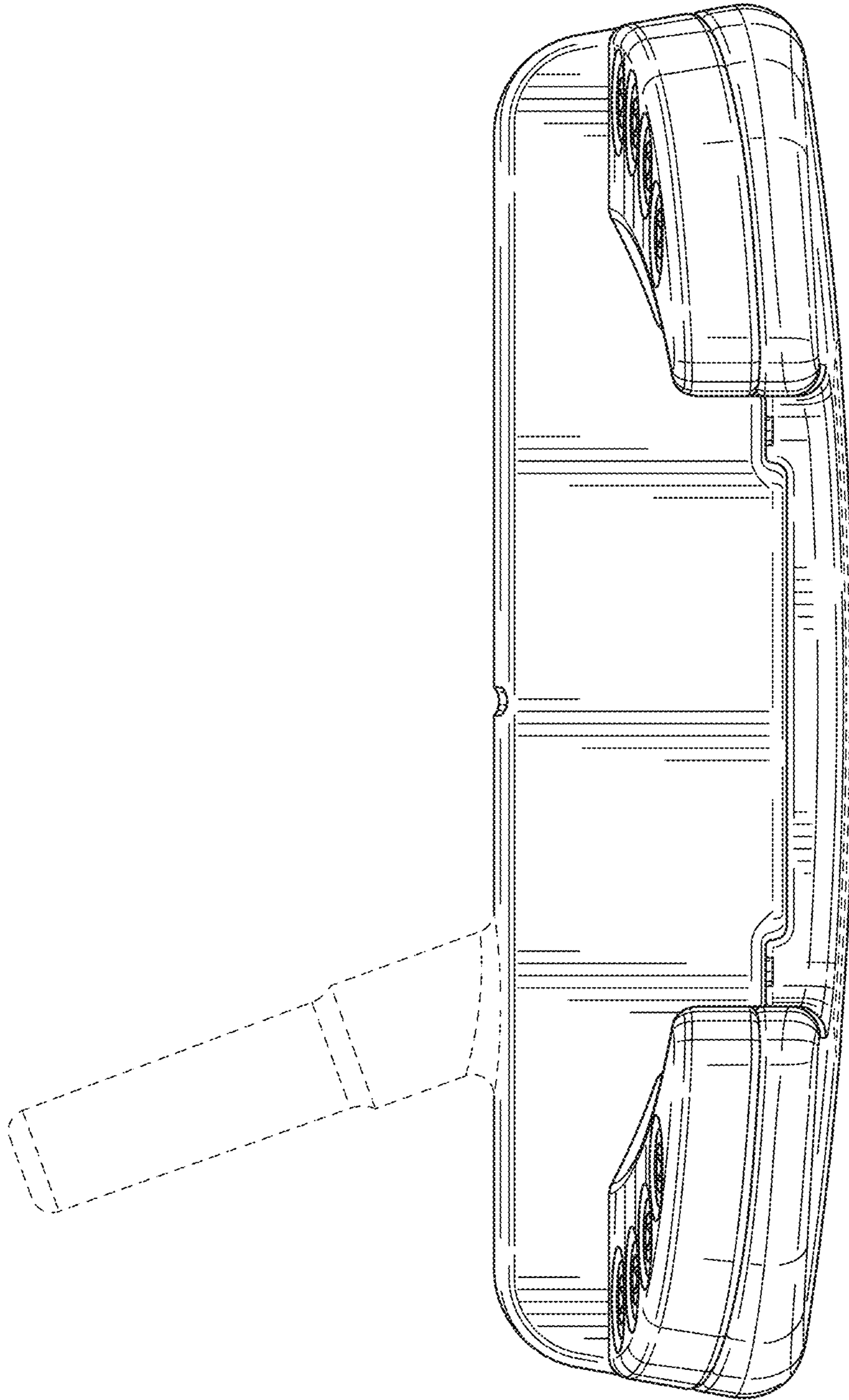


FIG. 4

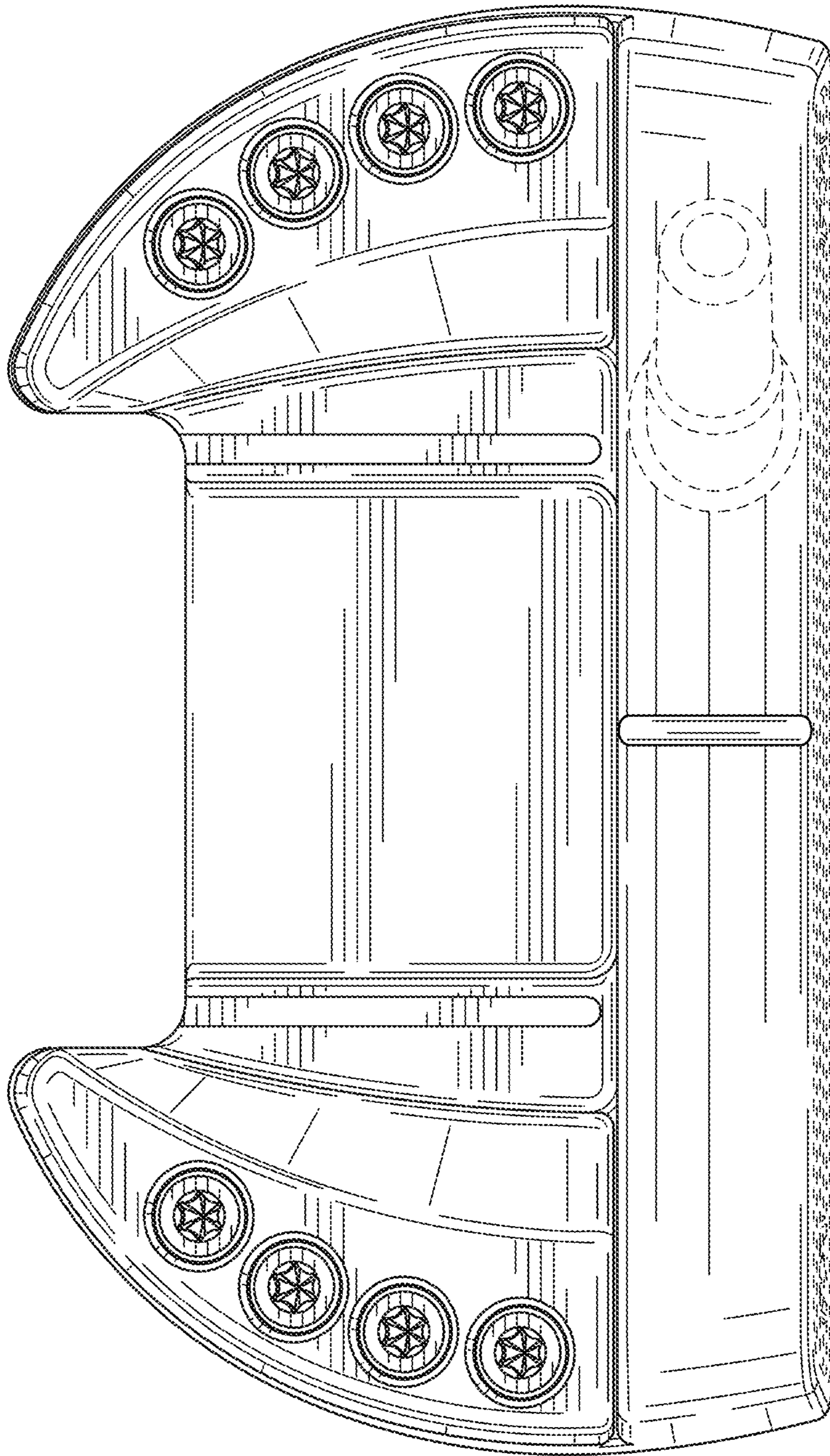


FIG. 5

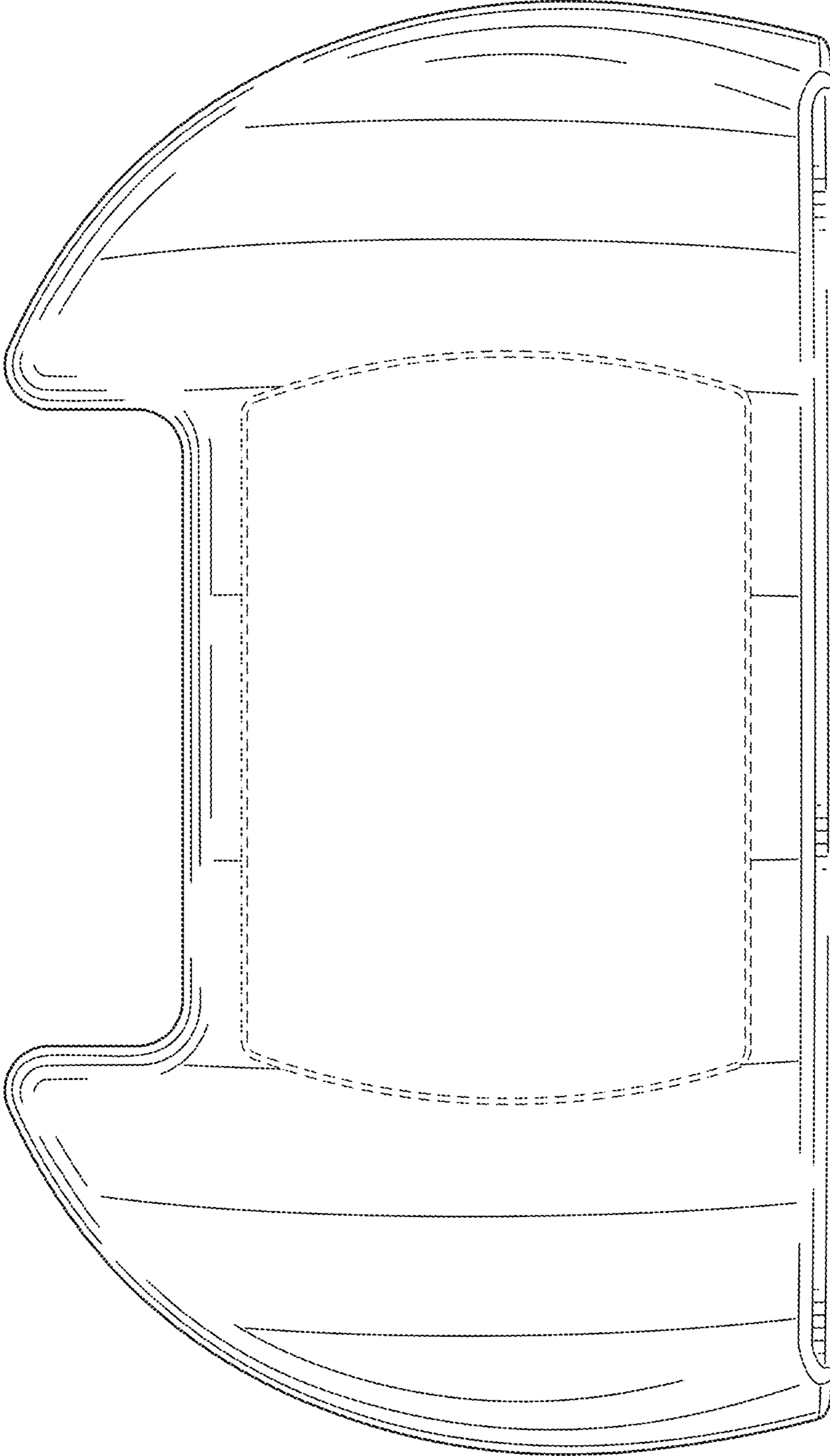


FIG. 6

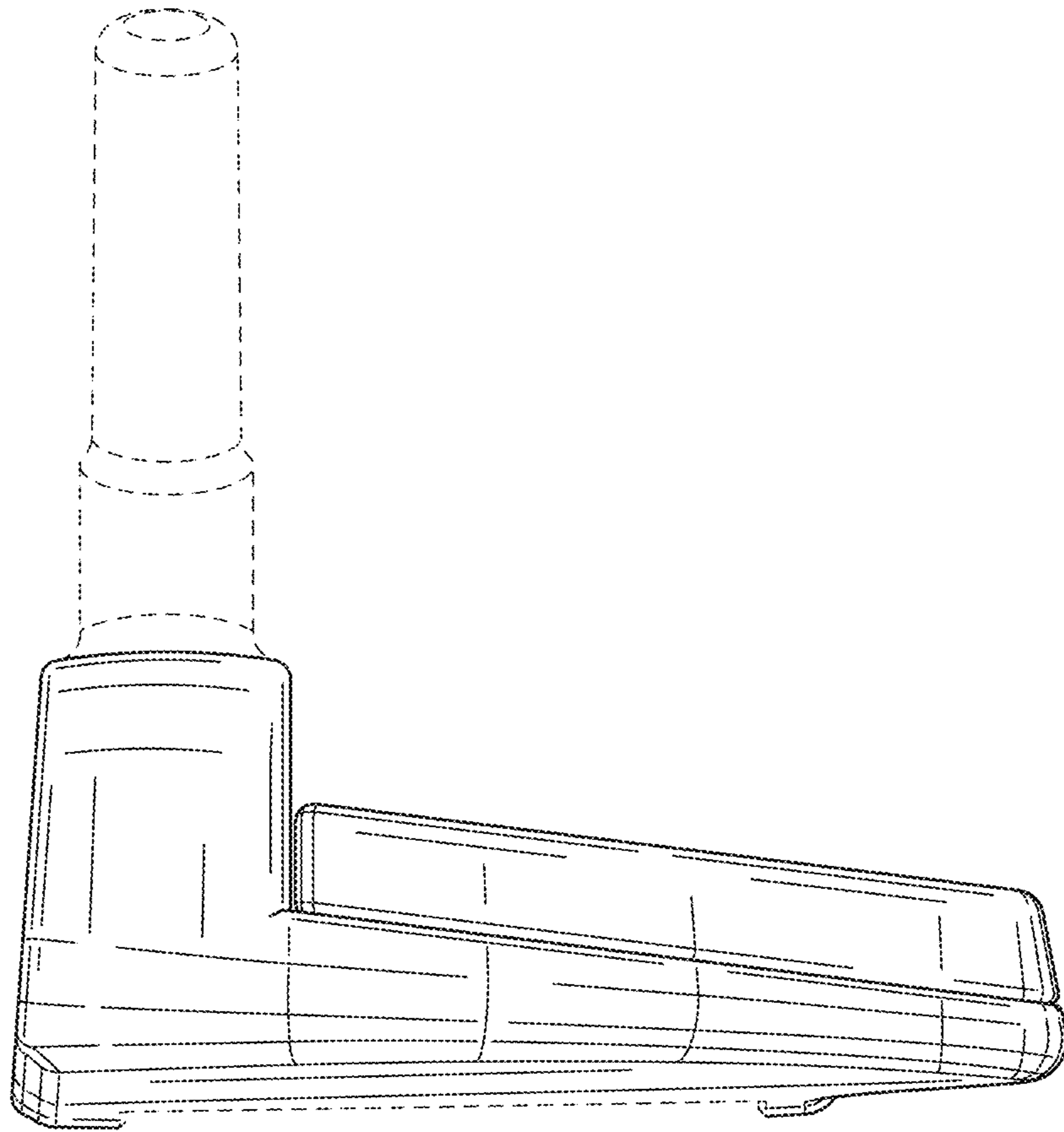


FIG. 7

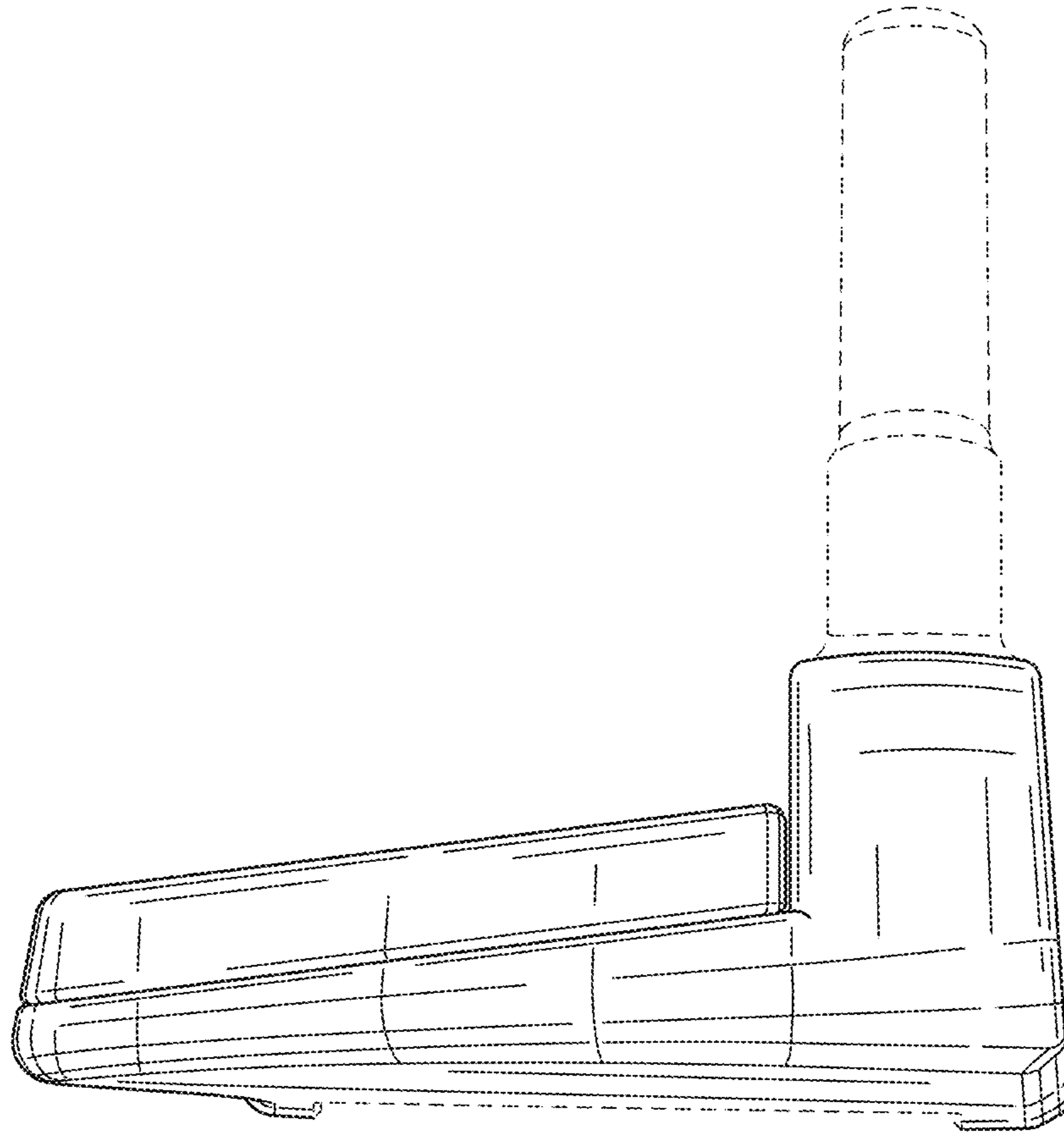


FIG. 8

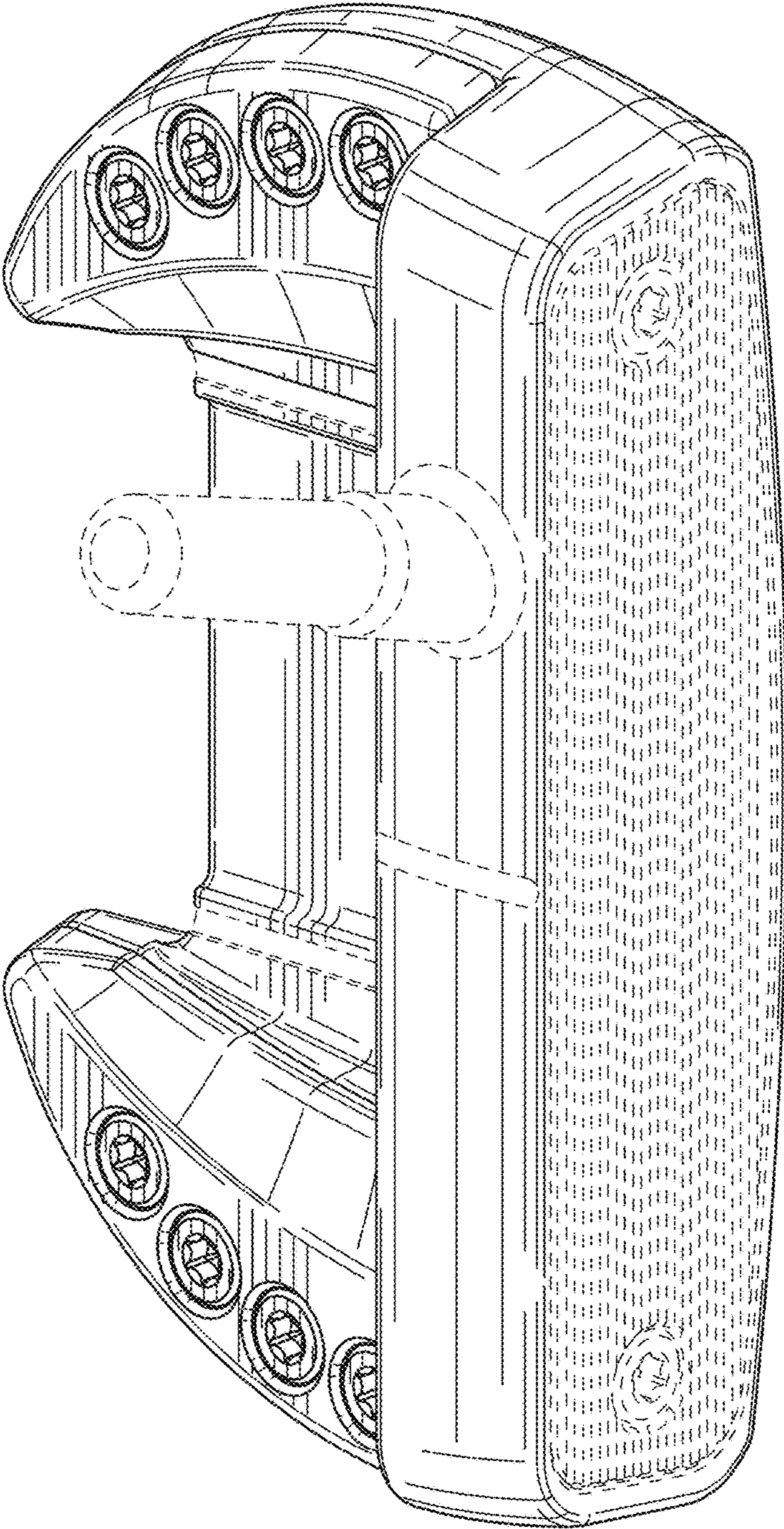


FIG. 9

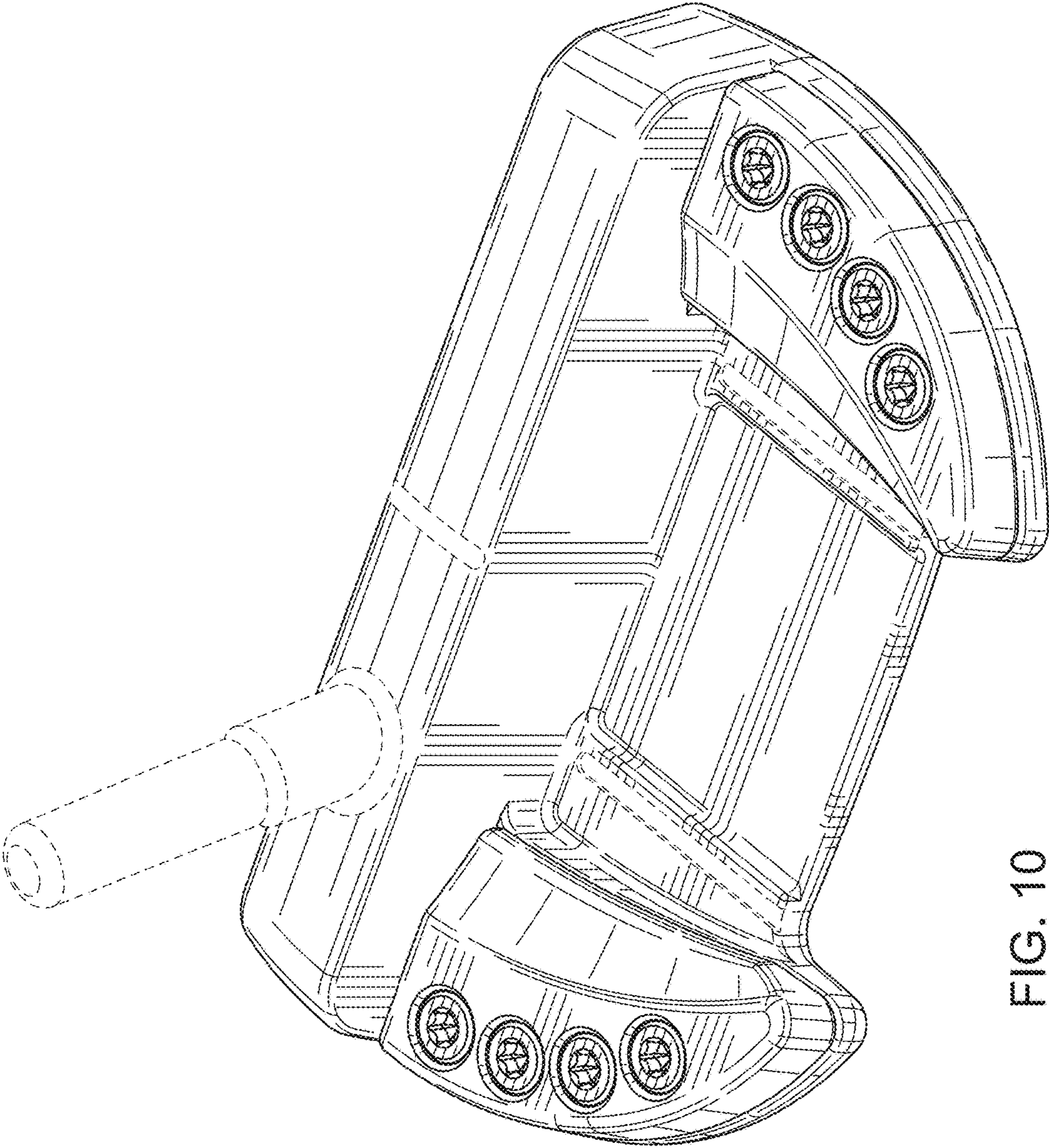


FIG. 10

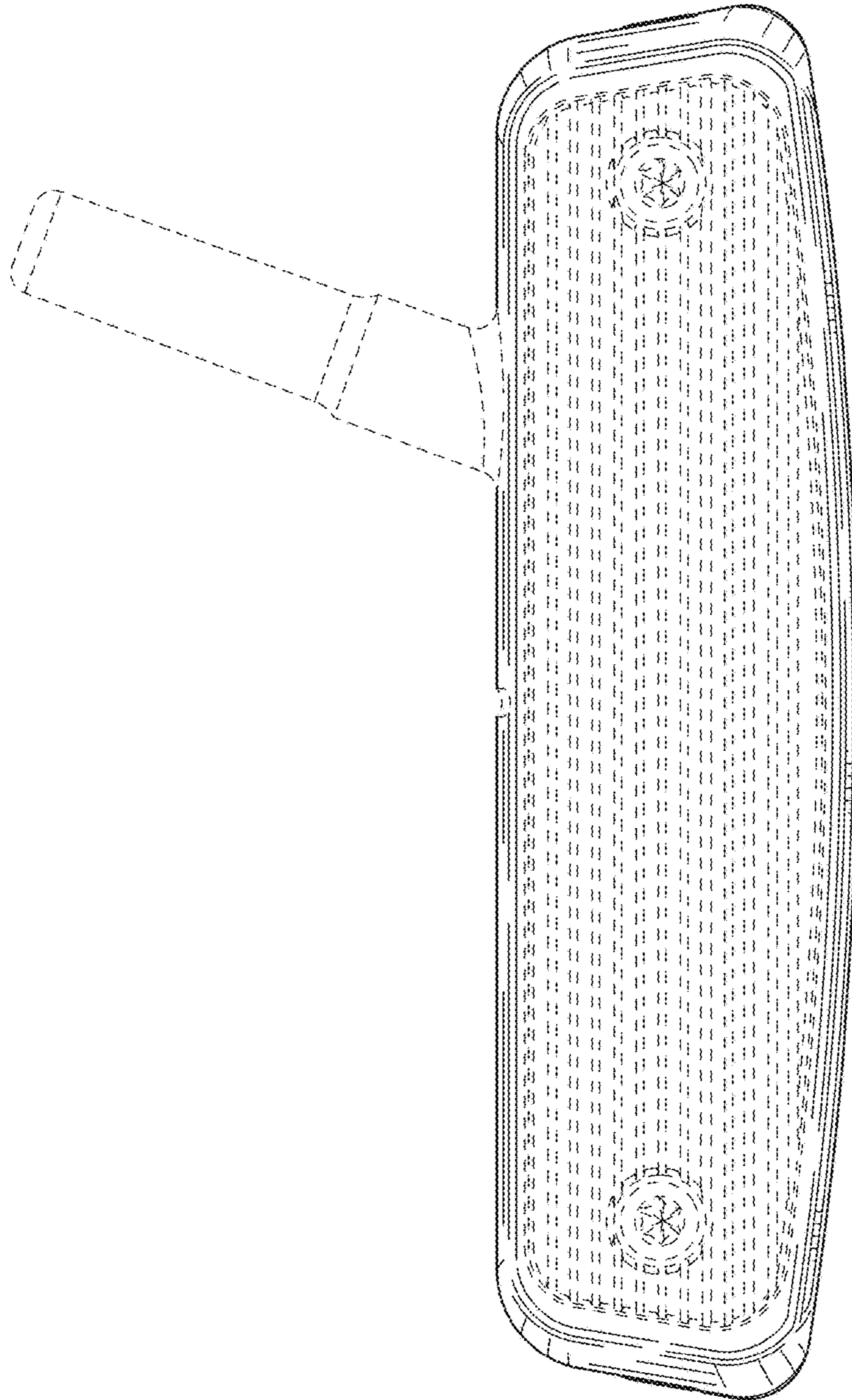


FIG. 11

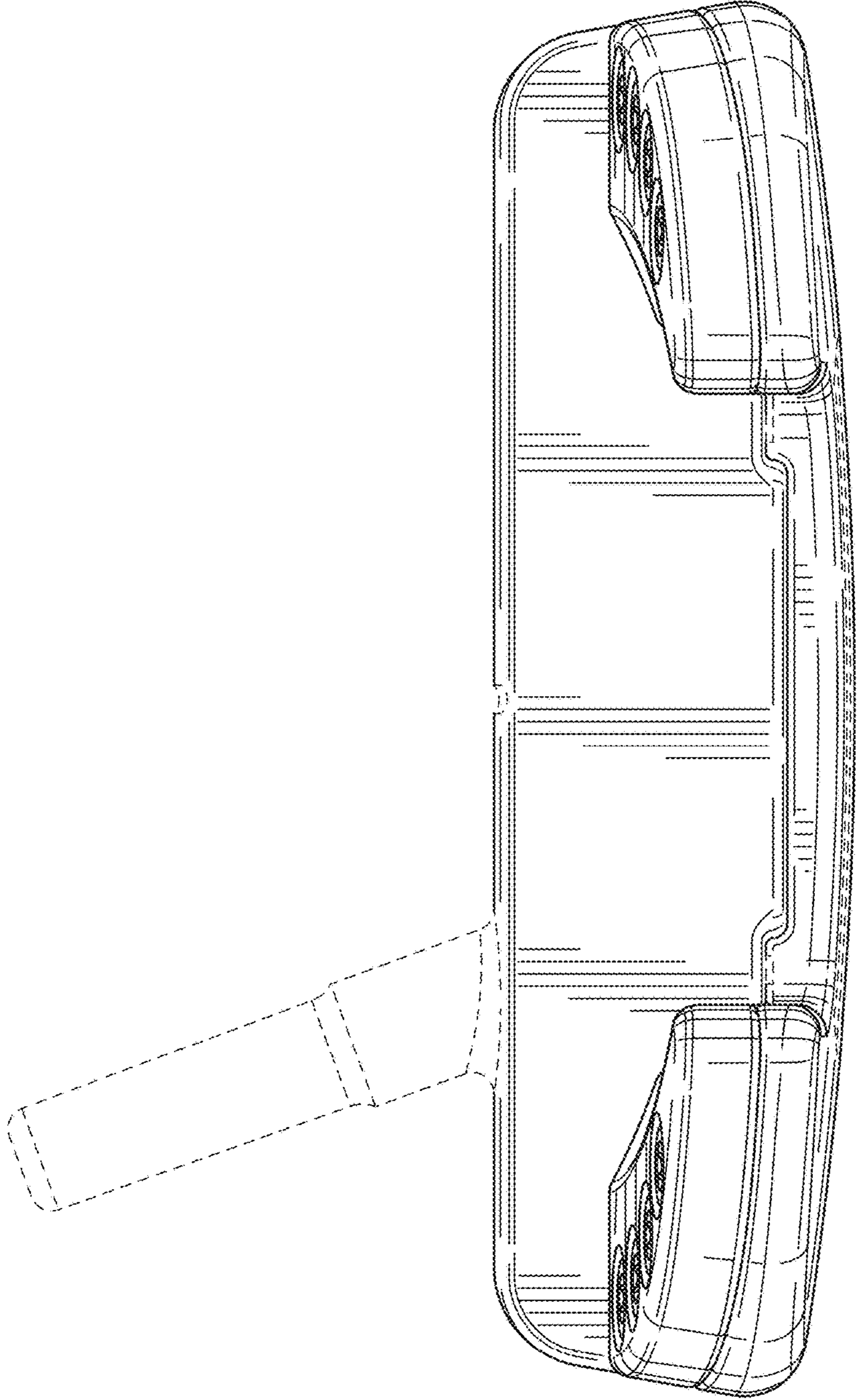


FIG. 12

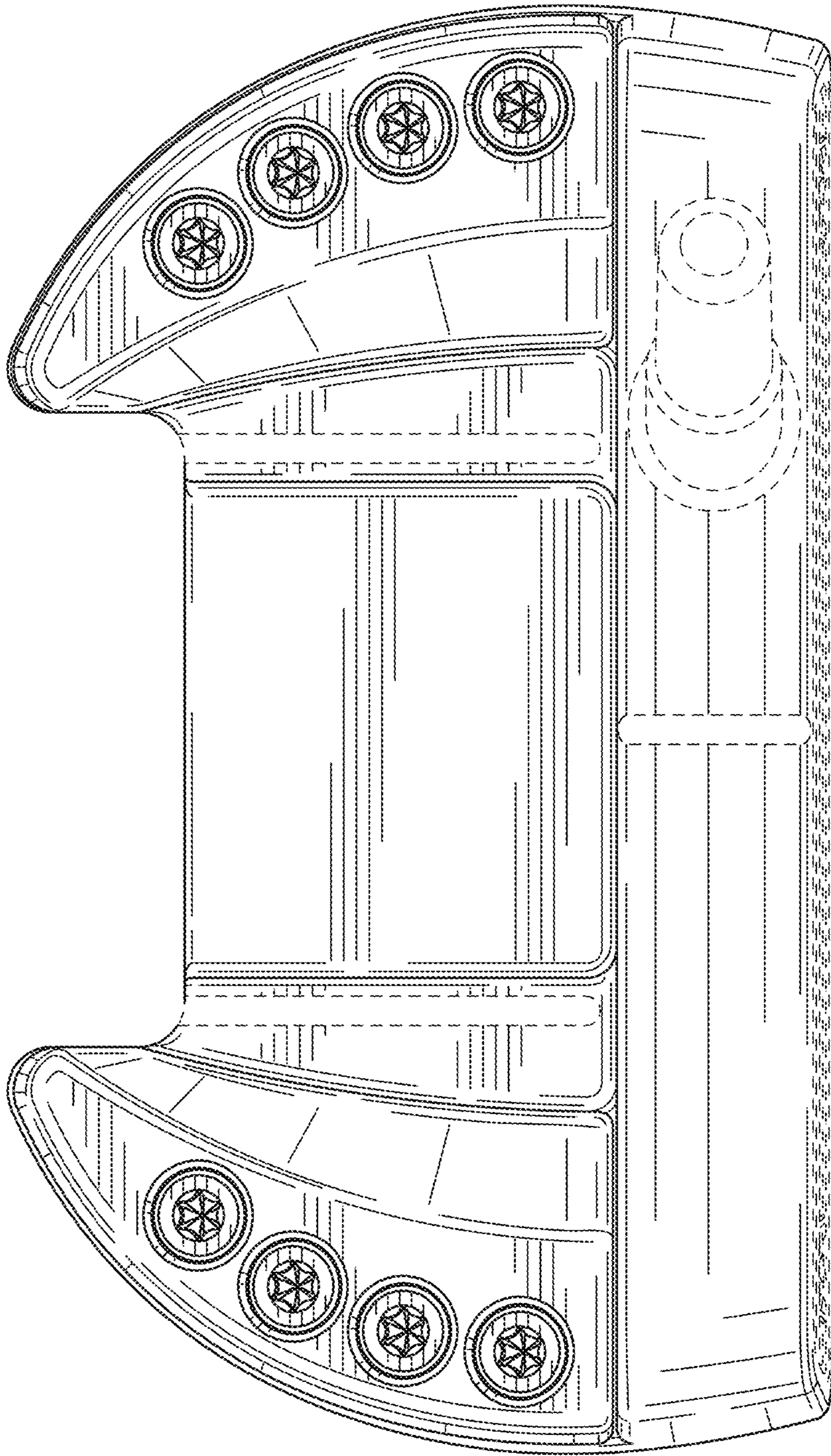


FIG. 13

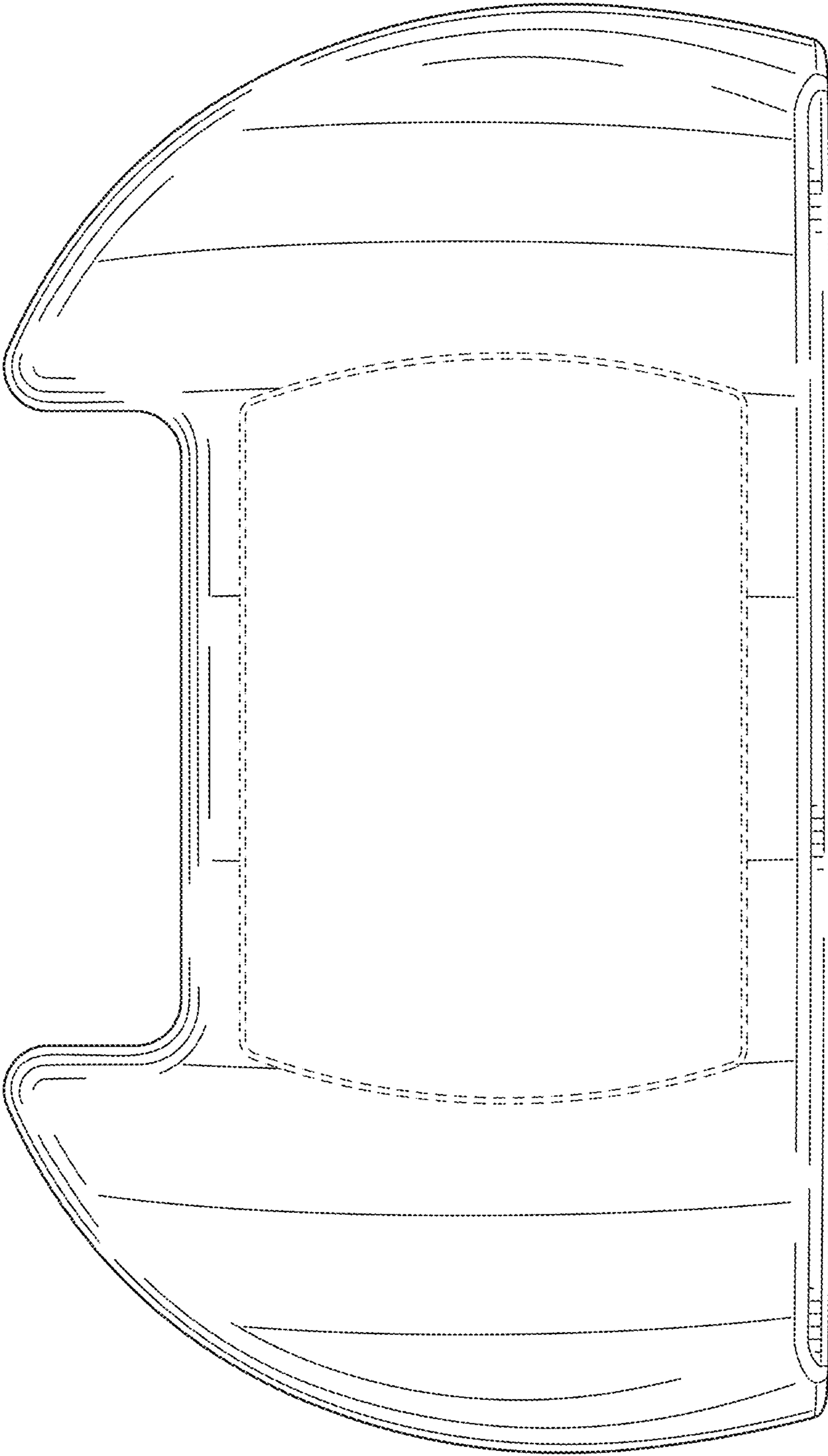


FIG. 14

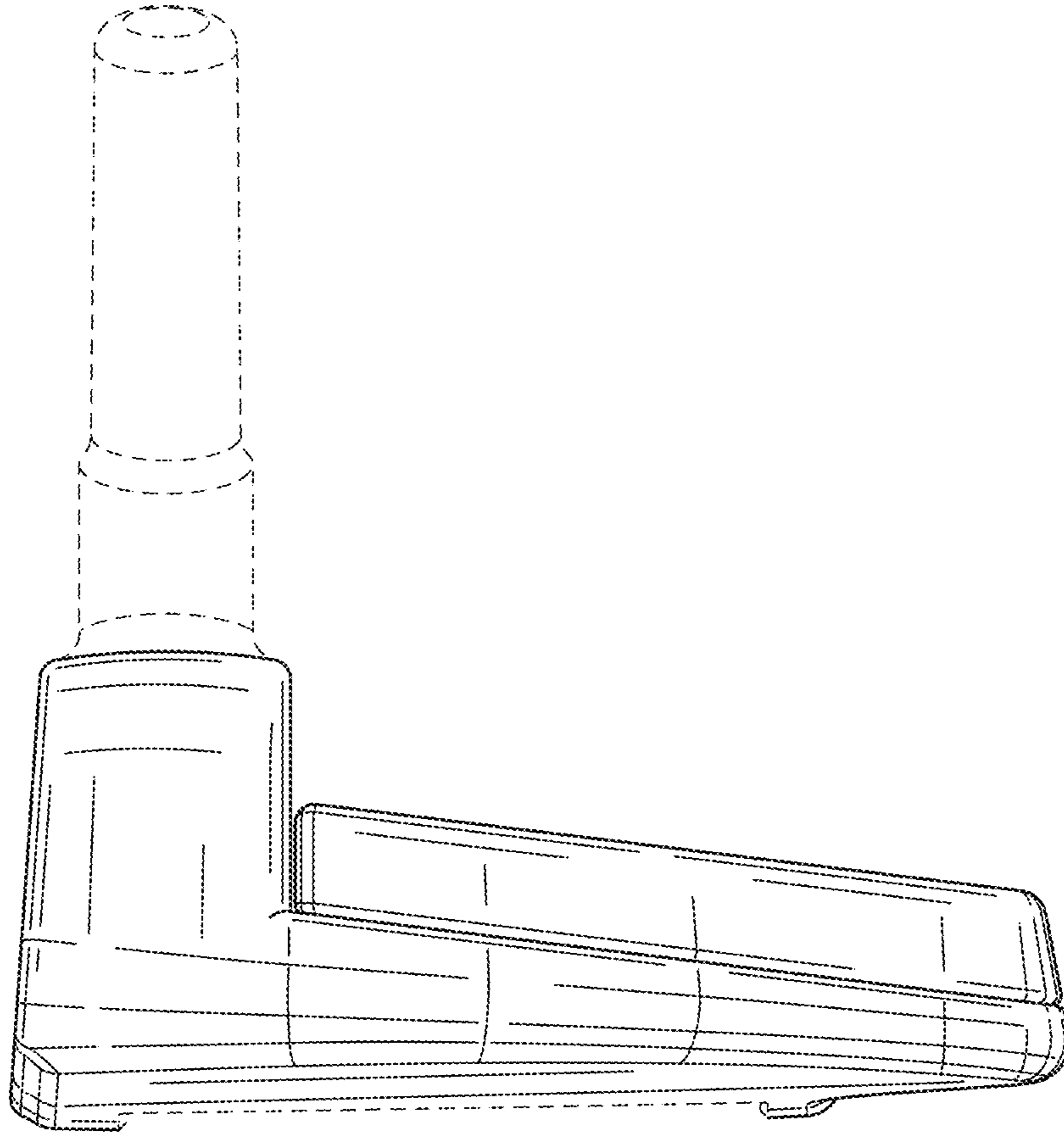


FIG. 15

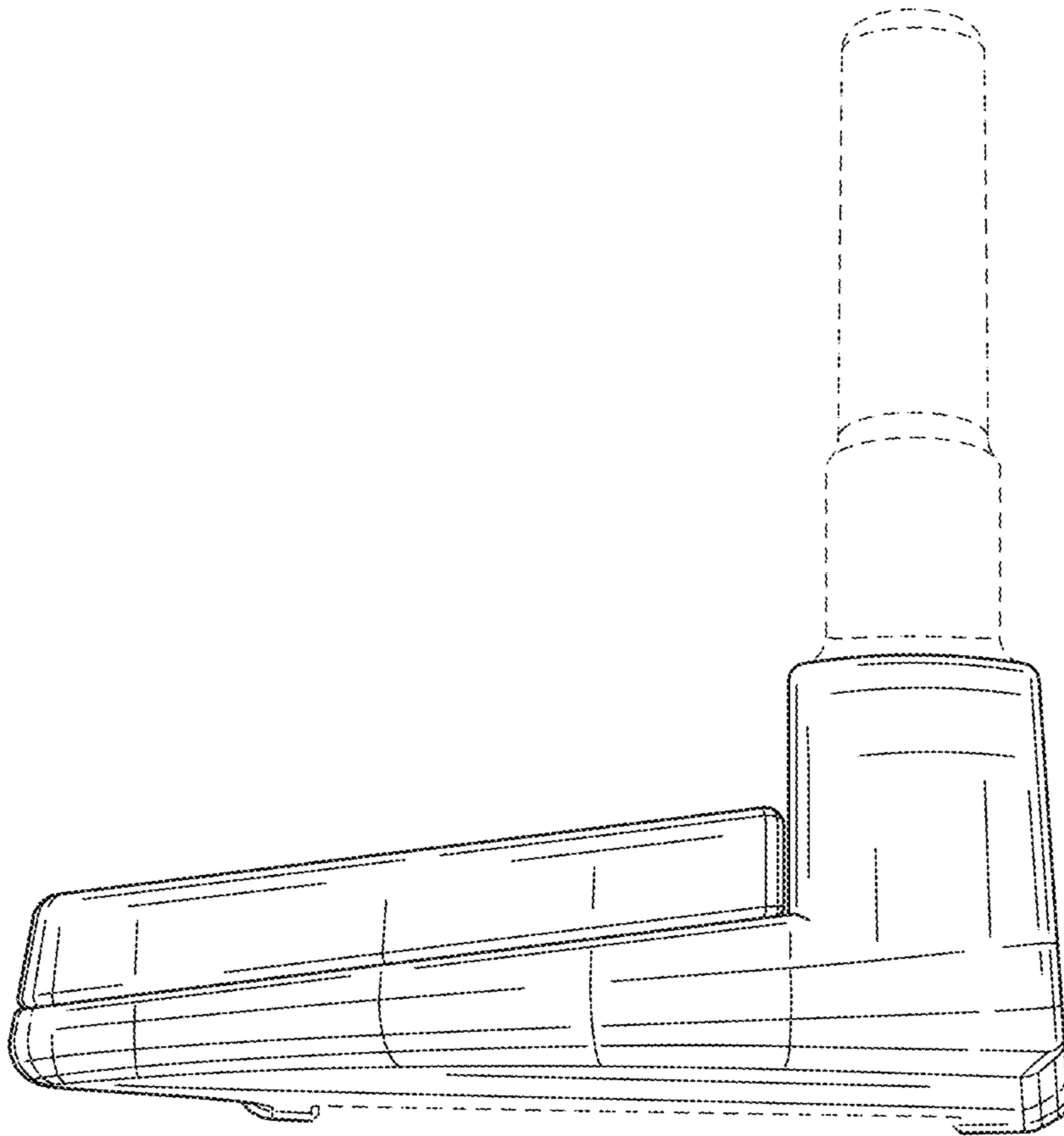


FIG. 16