



US00D832948S

(12) **United States Design Patent** (10) **Patent No.:** **US D832,948 S**
Stokke et al. (45) **Date of Patent:** **** Nov. 6, 2018**

(54) **GOLF CLUB HEAD**

(71) Applicant: **KARSTEN MANUFACTURING CORPORATION**, Phoenix, AZ (US)

(72) Inventors: **Ryan M. Stokke**, Anthem, AZ (US);
Calvin S. Wang, Chandler, AZ (US);
David A. Higdon, Phoenix, AZ (US)

(73) Assignee: **Karsten Manufacturing Corporation**, Phoenix, AZ (US)

(**) Term: **15 Years**

(21) Appl. No.: **29/610,796**

(22) Filed: **Jul. 14, 2017**

(51) **LOC (11) Cl.** **21-02**

(52) **U.S. Cl.**
USPC **D21/736**

(58) **Field of Classification Search**
USPC D21/736-746, 759
CPC A63B 53/00; A63B 53/04; A63B 53/007;
A63B 53/065; A63B 53/0487; A63B
60/00; A63B 60/46
See application file for complete search history.

(56) **References Cited**

U.S. PATENT DOCUMENTS

D213,509 S *	3/1969	Solheim	D21/743
3,652,094 A	3/1972	Glover		
D231,375 S *	4/1974	Solheim	D21/742
D234,960 S	4/1975	Swash		
D235,668 S	7/1975	Swash		
D281,092 S	10/1985	Mills		
4,869,507 A	9/1989	Sahm		
D306,334 S	2/1990	Alcala		

(Continued)

FOREIGN PATENT DOCUMENTS

CN	2920325 Y	7/2007
CN	103252065 A	8/2013

(Continued)

OTHER PUBLICATIONS

Odyssey Works Tank Cruiser #1w, <http://www.pgatoursuperstore.com/odyssey-works-tank-cruiser-1w/1000000005200.jsp>, Date Accessed: Dec. 14, 2016.

(Continued)

Primary Examiner — Mitchell I. Siegel

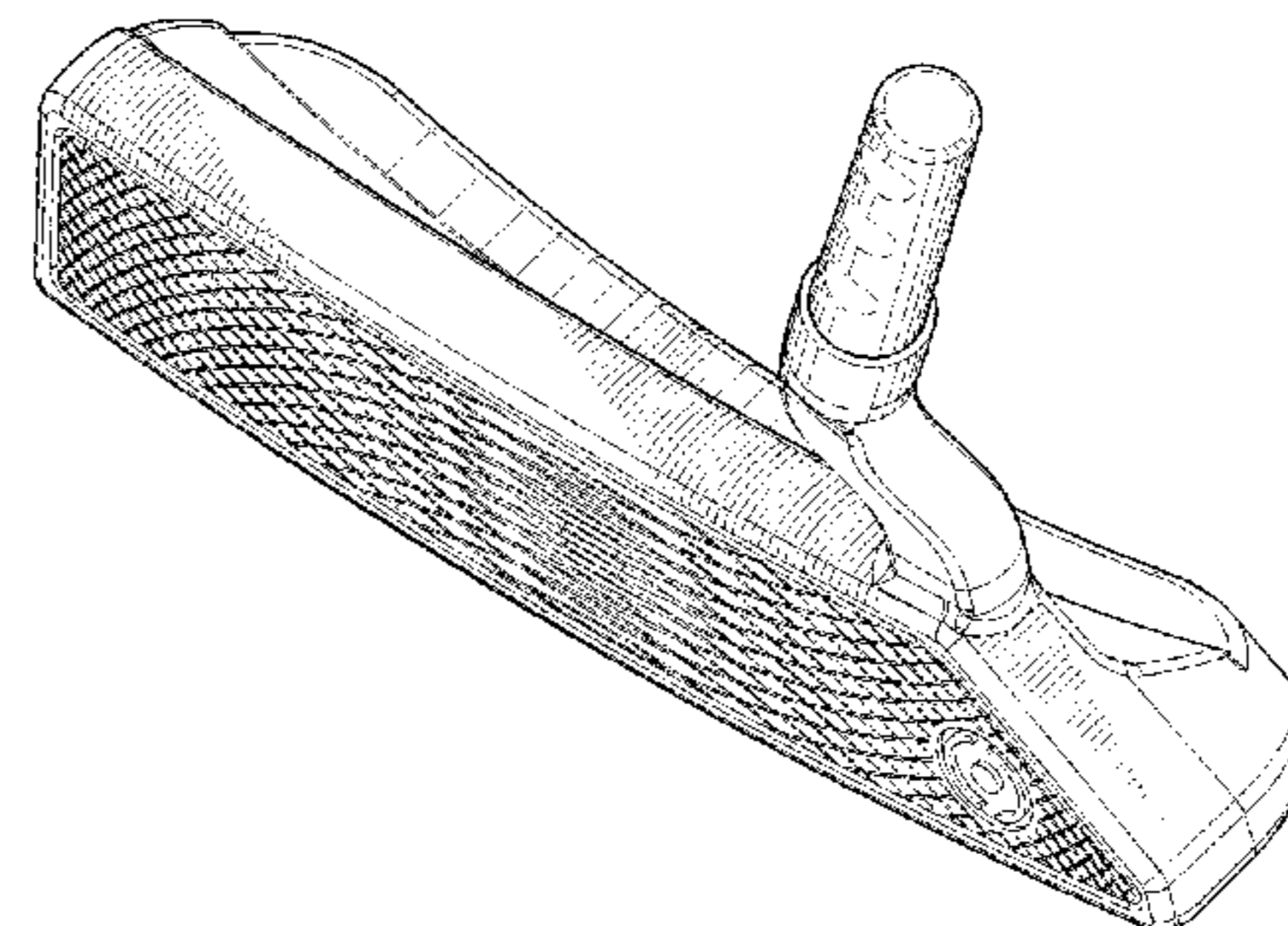
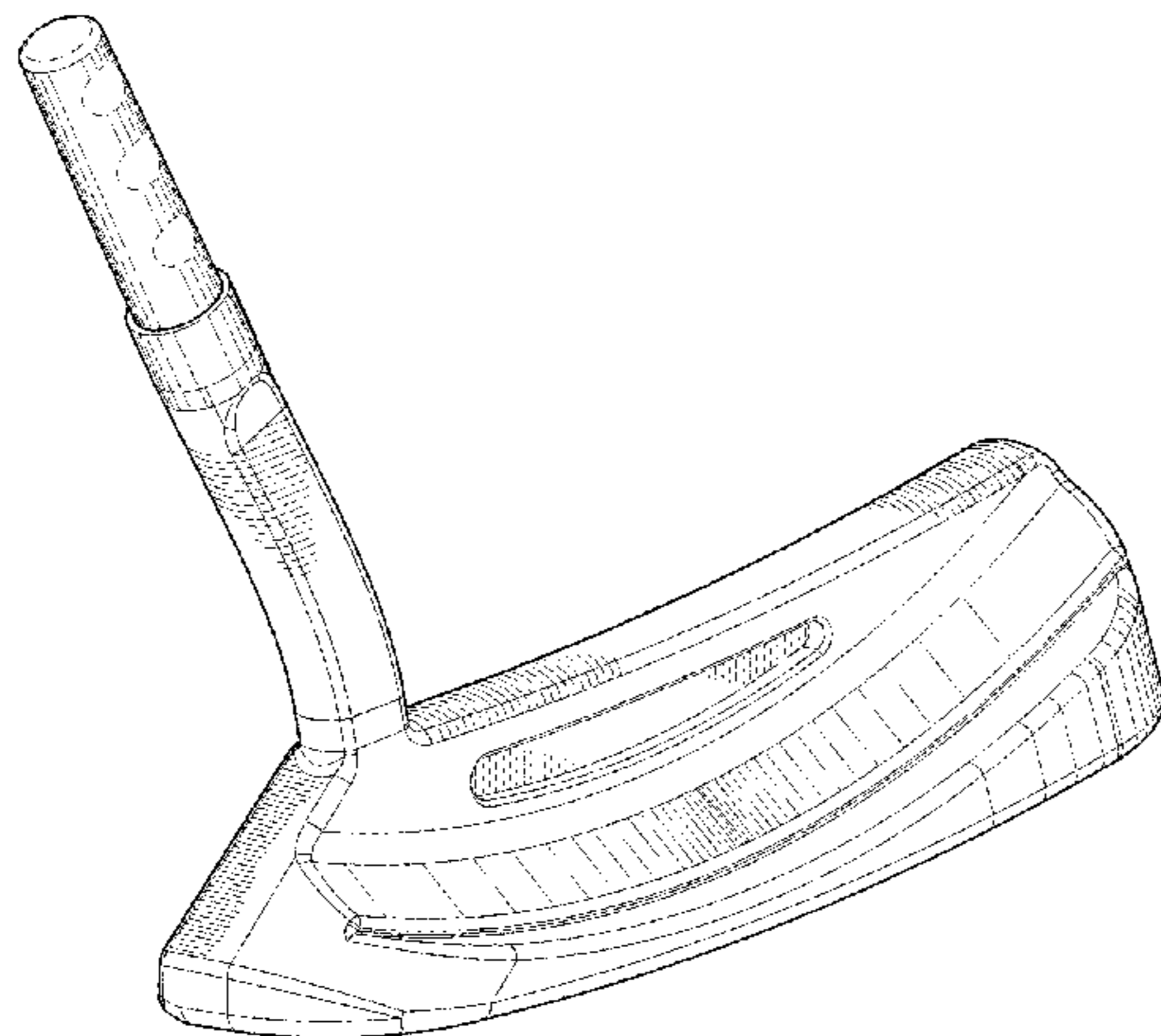
(57) **CLAIM**

The ornamental design for a golf club head, as shown and described.

DESCRIPTION

FIG. 1 is a front perspective view of a golf club head; FIG. 2 is a rear perspective view of the golf club head of FIG. 1; FIG. 3 is a front view of the golf club head of FIG. 1; FIG. 4 is a rear view of the golf club head of FIG. 1; FIG. 5 is a top view of the golf club head of FIG. 1; FIG. 6 is a bottom view of the golf club head of FIG. 1; FIG. 7 is a toe view of the golf club head of FIG. 1; FIG. 8 is a heel view of the golf club head of FIG. 1; FIG. 9 is a front perspective view of a second embodiment of the golf club head; FIG. 10 is a rear perspective view of the golf club head of FIG. 9; FIG. 11 is a front view of the golf club head of FIG. 9; FIG. 12 is a rear view of the golf club head of FIG. 9; FIG. 13 is a top view of the golf club head of FIG. 9; FIG. 14 is a bottom view of the golf club head of FIG. 9; FIG. 15 is a toe view of the golf club head of FIG. 9; and, FIG. 16 is a heel view of the golf club head of FIG. 9. The broken line showing is included for the purpose of illustrating unclaimed subject matter and forms no part of the claimed design.

1 Claim, 8 Drawing Sheets



(56)

References Cited

U.S. PATENT DOCUMENTS

D310,115 S	8/1990	Iinuma		D548,294 S *	8/2007	Nguyen	D21/736
D310,699 S	9/1990	Parente et al.		D548,295 S	8/2007	Jertson et al.	
D324,895 S	3/1992	Antonious		D548,296 S	8/2007	Rollinson	
D335,315 S	5/1993	Shearer		7,255,650 B2	8/2007	Braynt et al.	
D344,564 S	2/1994	Oakleaf		D551,310 S	9/2007	Kuan et al.	
D372,752 S	8/1996	Raudman		D552,197 S	10/2007	Wells et al.	
D385,935 S	11/1997	Cameron		D552,697 S	10/2007	Johnson	
5,746,664 A	5/1998	Reynolds, Jr.		D553,207 S	10/2007	Johnson	
D396,080 S *	7/1998	Bottema	D21/736	D560,263 S	1/2008	Rubino	
D399,274 S	10/1998	Bradford		D564,606 S	3/2008	Oldknow et al.	
D404,451 S	1/1999	Sheets		D564,612 S	3/2008	Oldknow et al.	
D405,836 S *	2/1999	Nicolette	D21/736	D565,137 S	3/2008	Oldknow et al.	
D408,064 S *	4/1999	Slucker	D21/736	D565,142 S	3/2008	Oldknow et al.	
D409,701 S *	5/1999	Ashcraft	D21/743	D565,678 S	4/2008	Cameron	
D410,267 S	5/1999	Solheim et al.		D570,934 S	6/2008	Ban et al.	
6,048,275 A	4/2000	Gedeon		D570,943 S	6/2008	Chen et al.	
D426,599 S	6/2000	Morgan et al.		D571,877 S	6/2008	Jones et al.	
D427,262 S *	6/2000	Frazetta	D21/743	D571,878 S	6/2008	Jones et al.	
D438,273 S	2/2001	Sizemore, Jr.		D571,879 S	6/2008	Jones et al.	
D443,905 S *	6/2001	Nicolette	D21/743	D571,886 S	6/2008	Stites et al.	
D445,865 S	7/2001	Mills		D572,789 S	7/2008	Stites et al.	
D449,085 S	10/2001	Breier et al.		D574,457 S	8/2008	Stites et al.	
D449,865 S *	10/2001	Fife, Jr.	D21/736	D574,906 S	8/2008	Jones et al.	
D463,517 S *	9/2002	Ngon	D21/736	D574,907 S	8/2008	Jones et al.	
D472,949 S *	4/2003	Serrano	D21/736	D574,909 S	8/2008	Jones et al.	
D474,253 S	5/2003	Mills		D574,910 S	8/2008	Jones et al.	
D483,823 S	12/2003	Swist		D574,911 S	8/2008	Jones et al.	
D485,320 S	1/2004	Breier et al.		D574,912 S	8/2008	Jones et al.	
D488,526 S	4/2004	Souza et al.		7,407,443 B2	8/2008	Franklin et al.	
D499,782 S	12/2004	Stites et al.		D577,085 S	9/2008	Nicolette et al.	
D500,109 S	12/2004	Solheim et al.		D577,086 S	9/2008	Nicolette et al.	
D500,110 S	12/2004	Solheim et al.		D578,593 S	10/2008	Oldknow et al.	
D501,233 S	1/2005	Thomas		D578,594 S	10/2008	Oldknow et al.	
6,837,801 B1	1/2005	Souza et al.		D579,505 S	10/2008	Jones	
6,893,355 B2	5/2005	Souza et al.		D579,506 S	10/2008	Nicolette et al.	
D506,237 S	6/2005	Byrne et al.		D579,995 S	11/2008	Nicolette et al.	
D507,612 S	7/2005	Souza et al.		7,452,283 B2	11/2008	Hettinger et al.	
D508,546 S	8/2005	Oldknow		7,455,599 B2	11/2008	Jones	
6,926,615 B1	8/2005	Souza et al.		D583,003 S	12/2008	Solheim et al.	
6,960,140 B2	11/2005	Solheim et al.		D584,780 S	1/2009	Ines et al.	
6,968,645 B2	11/2005	Epps et al.		7,473,189 B2 *	1/2009	Schweigert	A63B 53/0487 473/341
D513,050 S	12/2005	Grimaldo		D587,325 S	2/2009	Solheim et al.	
D515,646 S	2/2006	Perry		D592,719 S *	5/2009	Hettinger	D21/743
D520,583 S	5/2006	Rollinson et al.		D596,683 S *	7/2009	Hettinger	D21/746
D520,584 S	5/2006	Karlsen		D599,423 S	9/2009	Serrano et al.	
D521,582 S	5/2006	Souza et al.		D599,424 S	9/2009	Serrano et al.	
7,052,411 B2	5/2006	Solheim et al.		D599,869 S	9/2009	Serrano et al.	
D522,598 S	6/2006	Solheim et al.		D599,870 S	9/2009	Serrano et al.	
D523,102 S	6/2006	Stites et al.		D600,298 S	9/2009	Serrano et al.	
D524,887 S	7/2006	Jones et al.		D600,760 S	9/2009	Serrano et al.	
D525,328 S	7/2006	Solheim et al.		D600,762 S	9/2009	Serrano et al.	
D525,329 S	7/2006	Jones et al.		D601,214 S	9/2009	Serrano et al.	
D527,433 S	8/2006	Hueber		7,803,066 B2	9/2010	Solheim et al.	
7,086,957 B2	8/2006	Solheim et al.		D640,341 S *	6/2011	Foster	D21/742
D527,777 S	9/2006	Solheim et al.		8,100,779 B2	1/2012	Solheim et al.	
D529,109 S	9/2006	Jones		D661,754 S *	6/2012	Cameron	D21/759
7,112,147 B2	9/2006	Solheim et al.		D707,771 S *	6/2014	Cameron	D21/759
D529,560 S	10/2006	Madore		D720,022 S *	12/2014	Rollinson	D21/736
D529,564 S	10/2006	Grace		D720,023 S *	12/2014	Rollinson	D21/736
D532,066 S	11/2006	Tang		D730,465 S *	5/2015	Cameron	D21/759
D532,842 S	11/2006	Jones et al.		D759,174 S *	6/2016	Rollinson	D21/743
D532,843 S	11/2006	Jones et al.		D763,382 S *	8/2016	Cardani	D21/759
D533,243 S	12/2006	Fife, Jr. et al.		2003/0083149 A1	5/2003	Scarpa et al.	
D533,609 S	12/2006	Moore et al.		2006/0089206 A1	4/2006	Lo	
D534,978 S	1/2007	Rollinson et al.		2006/0116216 A1	6/2006	Sorenson	
D537,135 S	2/2007	Rollinson et al.		2007/0010348 A1	1/2007	Jung	
D538,364 S	3/2007	Frame et al.		2007/0021230 A1	1/2007	Haack	
D540,411 S	4/2007	Bradford et al.		2007/0135232 A1	6/2007	Billings	
D540,897 S	4/2007	Oldknow et al.		2008/0045353 A1	2/2008	Lo et al.	
D541,362 S	4/2007	Oldknow		2008/0293514 A1	11/2008	Franklin et al.	
D542,871 S	5/2007	Oldknow		2009/0029800 A1	1/2009	Jones et al.	
D542,873 S	5/2007	Oldknow		2010/0048321 A1	2/2010	Beach et al.	
D545,385 S	6/2007	Tang et al.		2010/0222155 A1	9/2010	Jones et al.	
7,235,021 B2	6/2007	Solheim et al.					
D547,405 S	7/2007	Serrano et al.					

(56)

References Cited

U.S. PATENT DOCUMENTS

2014/0179459 A1 6/2014 Schartiger et al.
2015/0360099 A1 12/2015 Ban et al.

FOREIGN PATENT DOCUMENTS

GB 2133295 A 7/1984
JP 2001137400 A 5/2001

OTHER PUBLICATIONS

Cx1, <http://cureputters.com/products/cx1> , Date Accessed: Dec. 13, 2016.

* cited by examiner

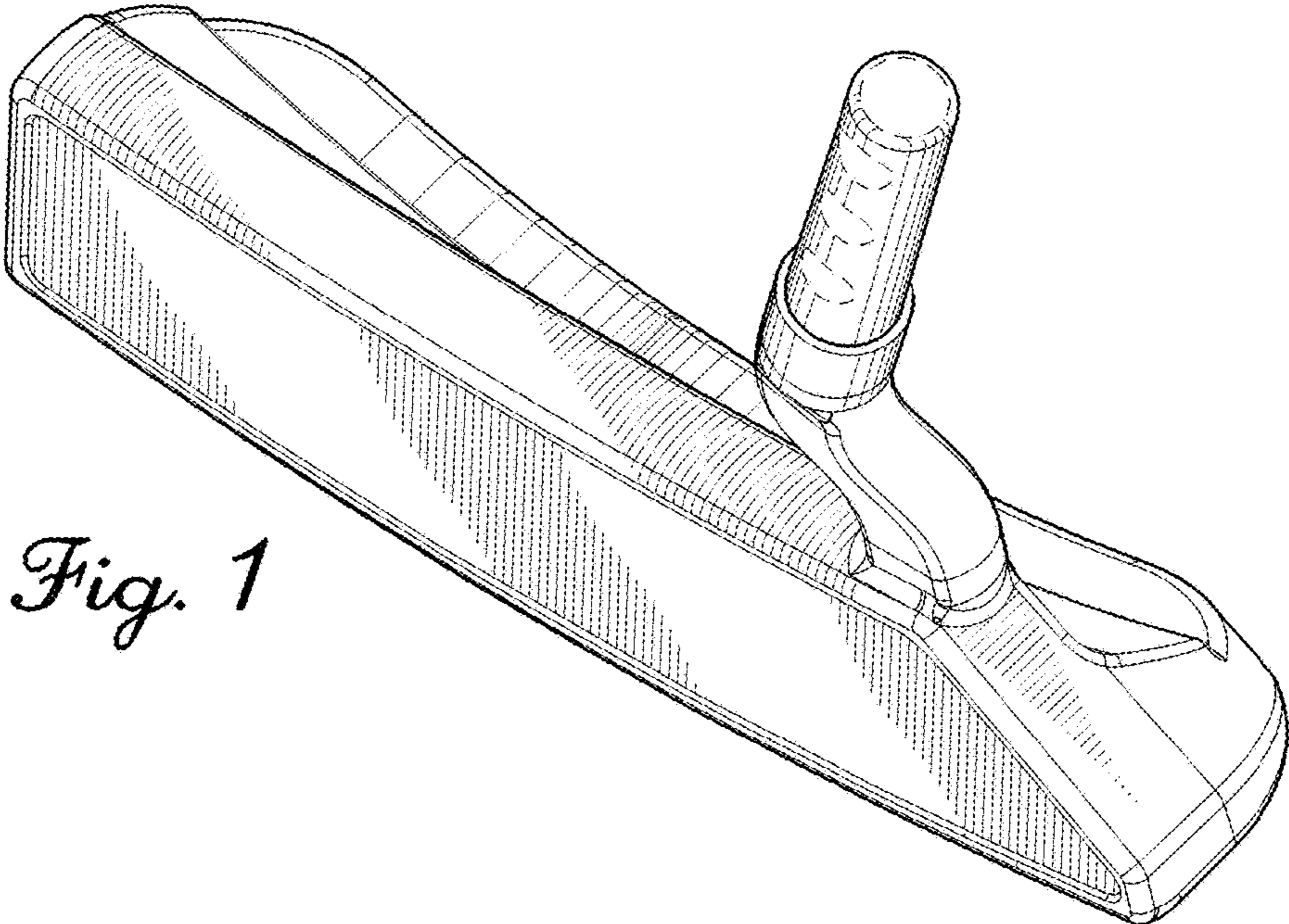


Fig. 1

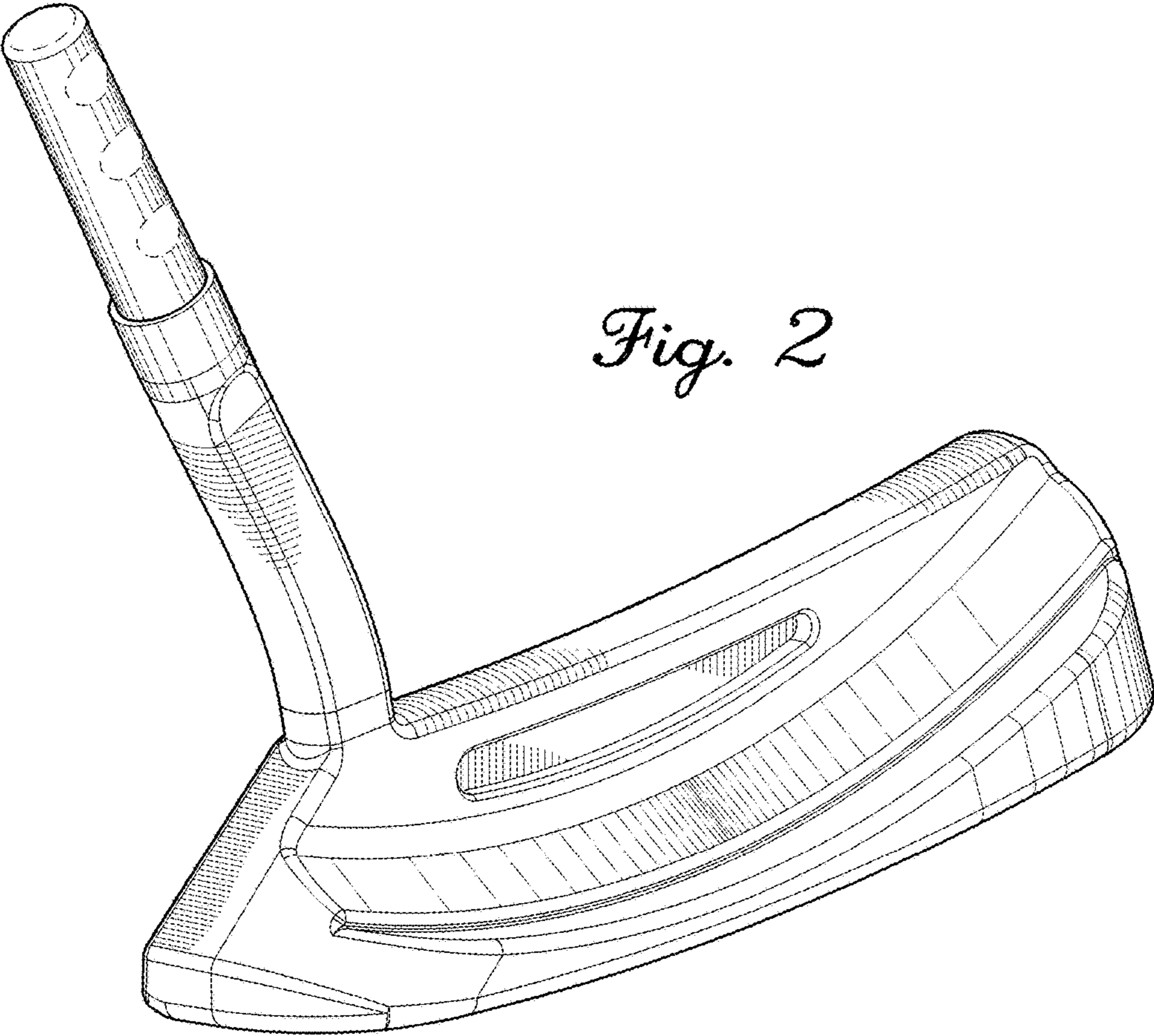


Fig. 2

Fig. 3

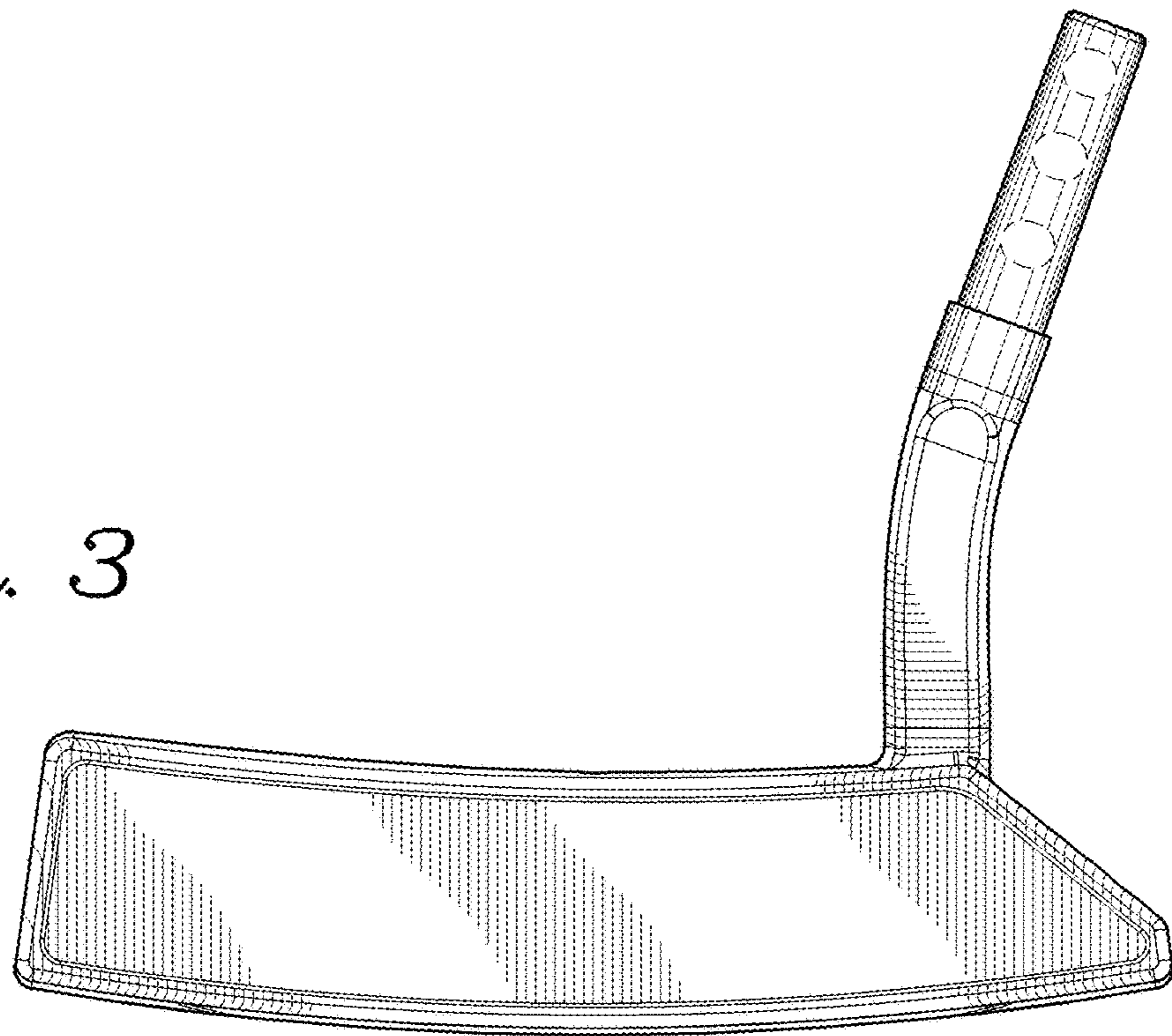
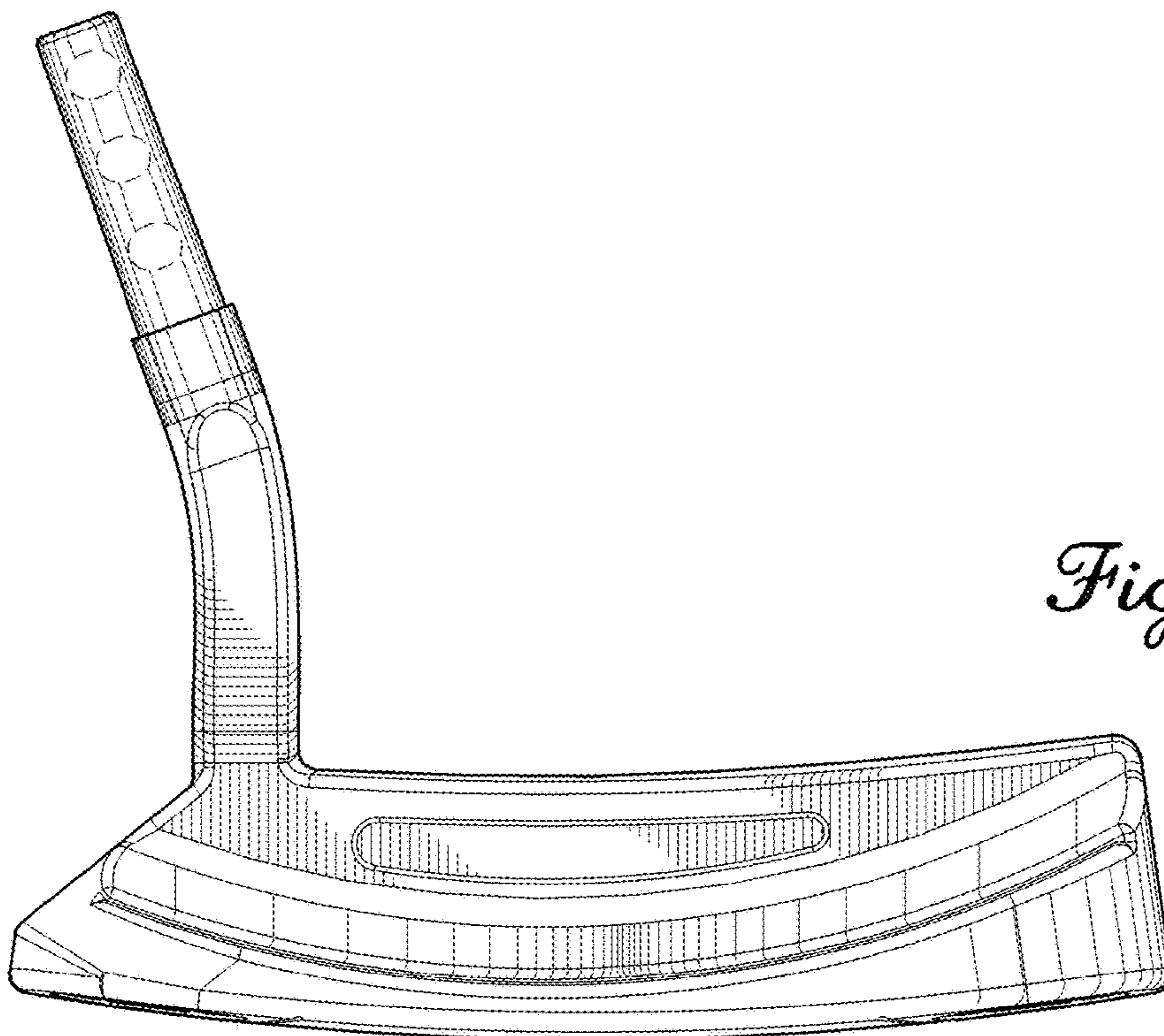


Fig. 4



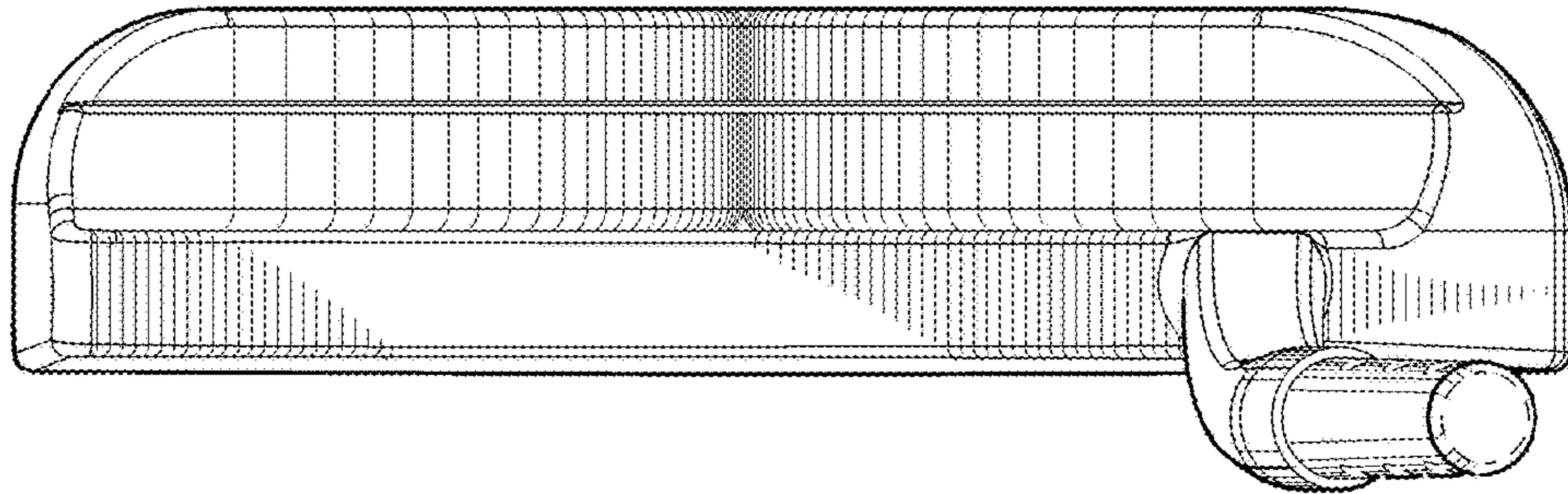


Fig. 5

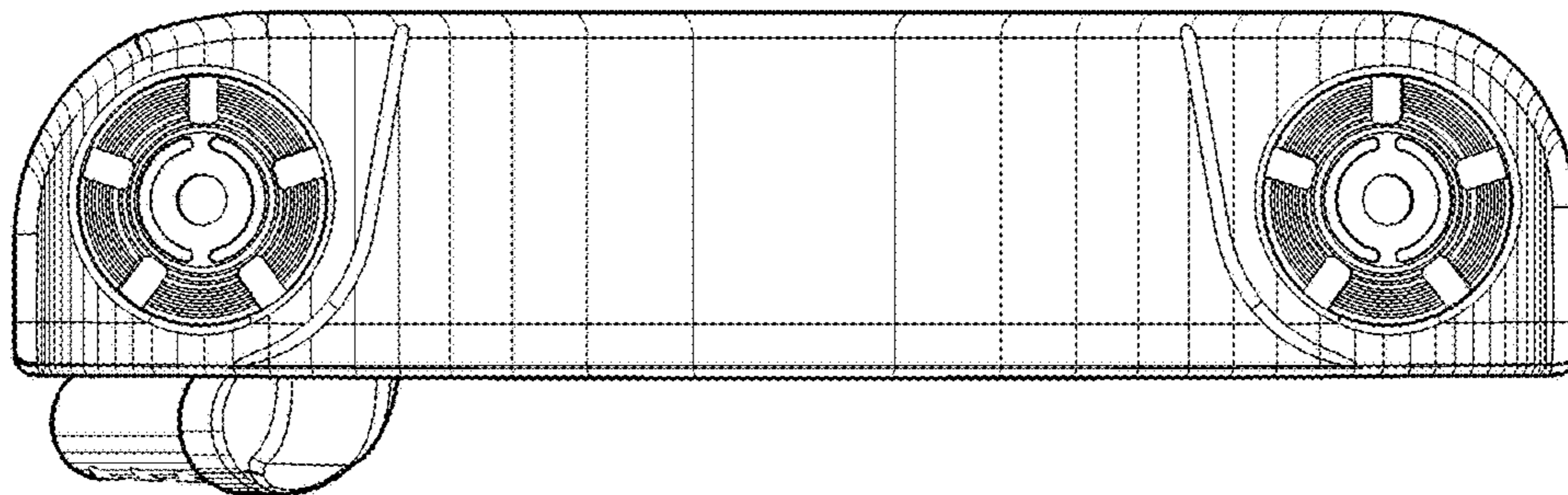


Fig. 6

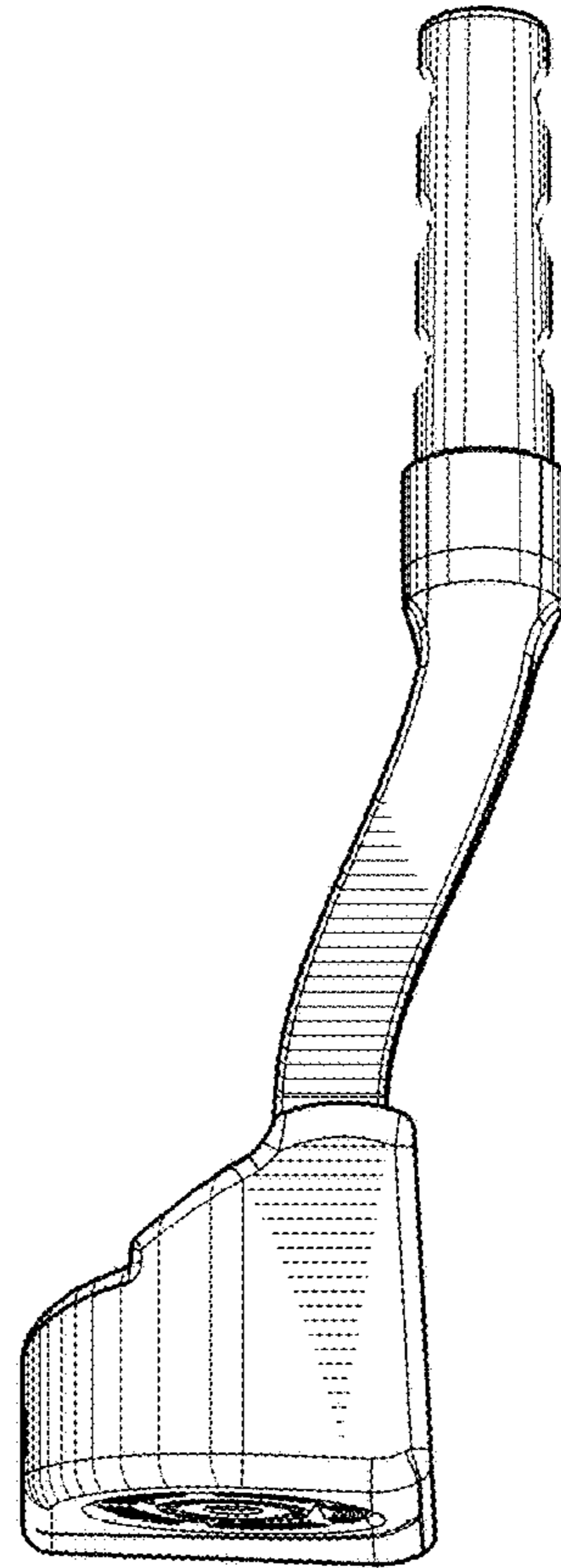


Fig. 7

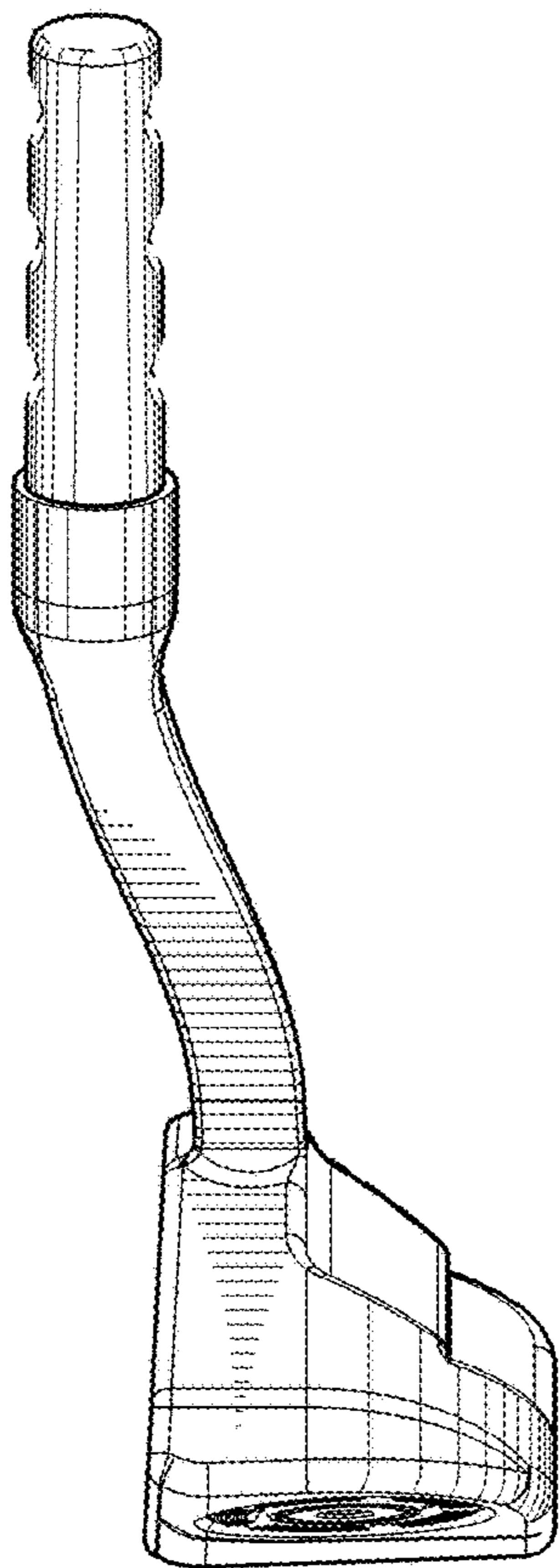


Fig. 8

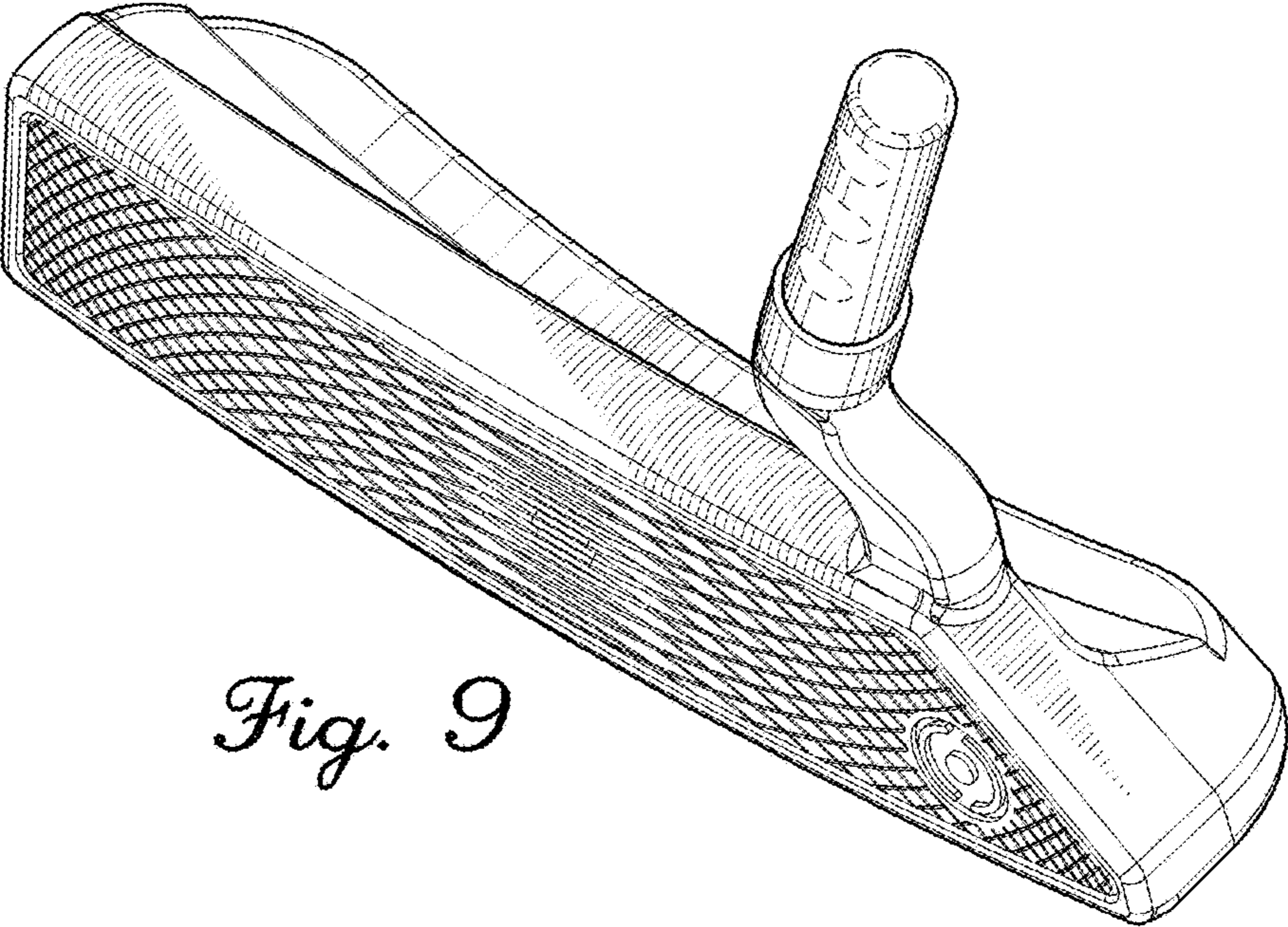


Fig. 9

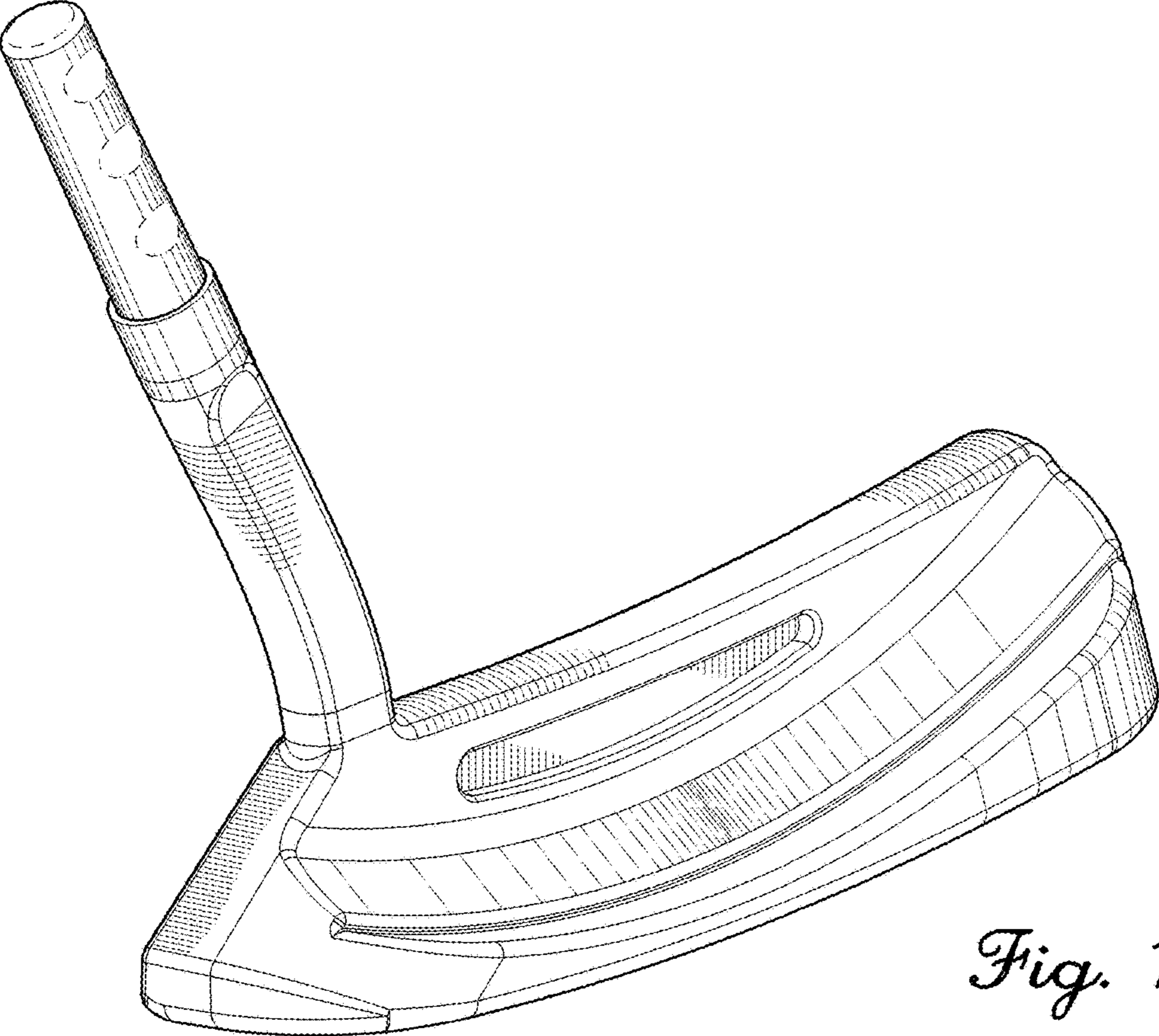


Fig. 10

Fig. 11

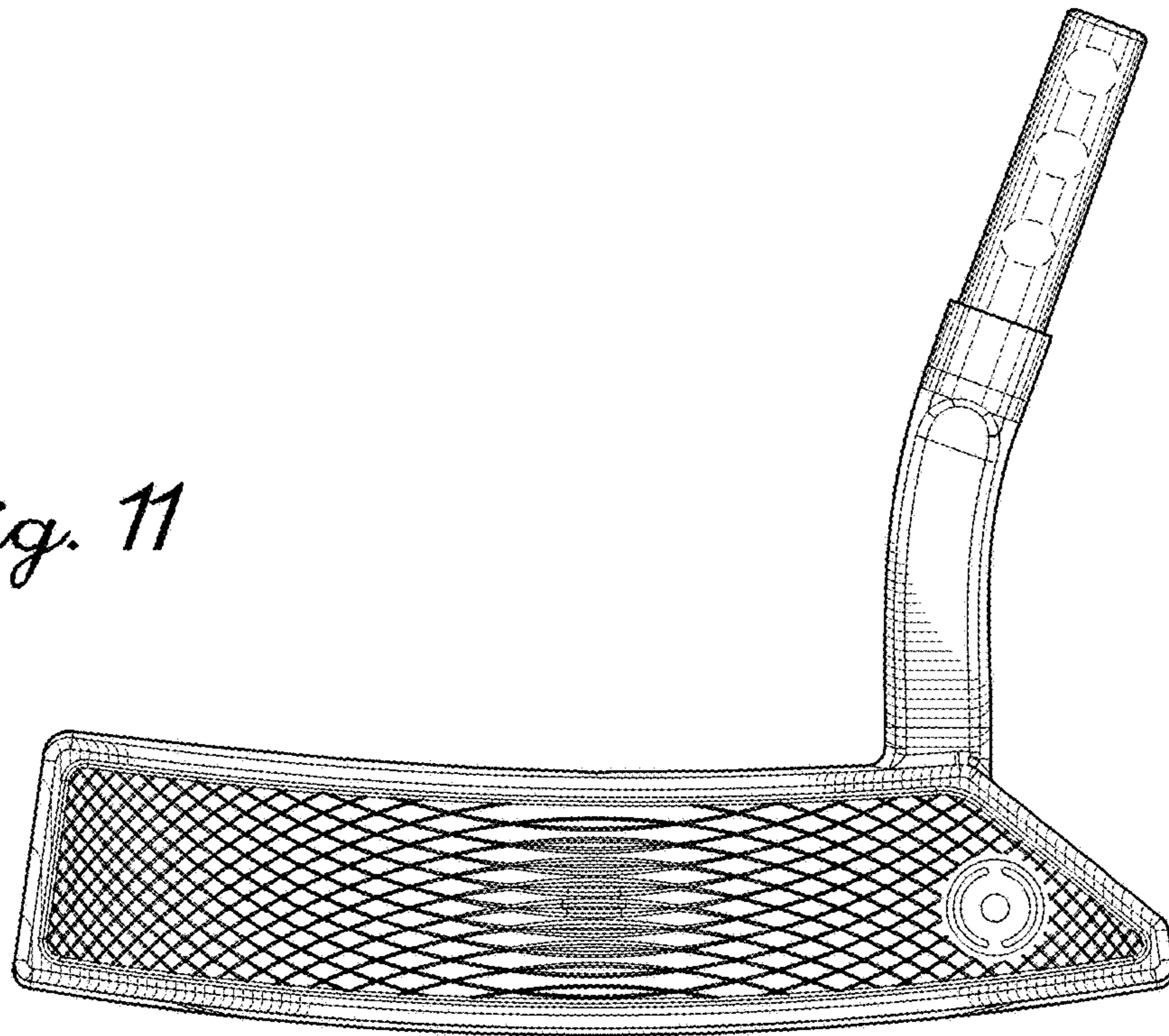
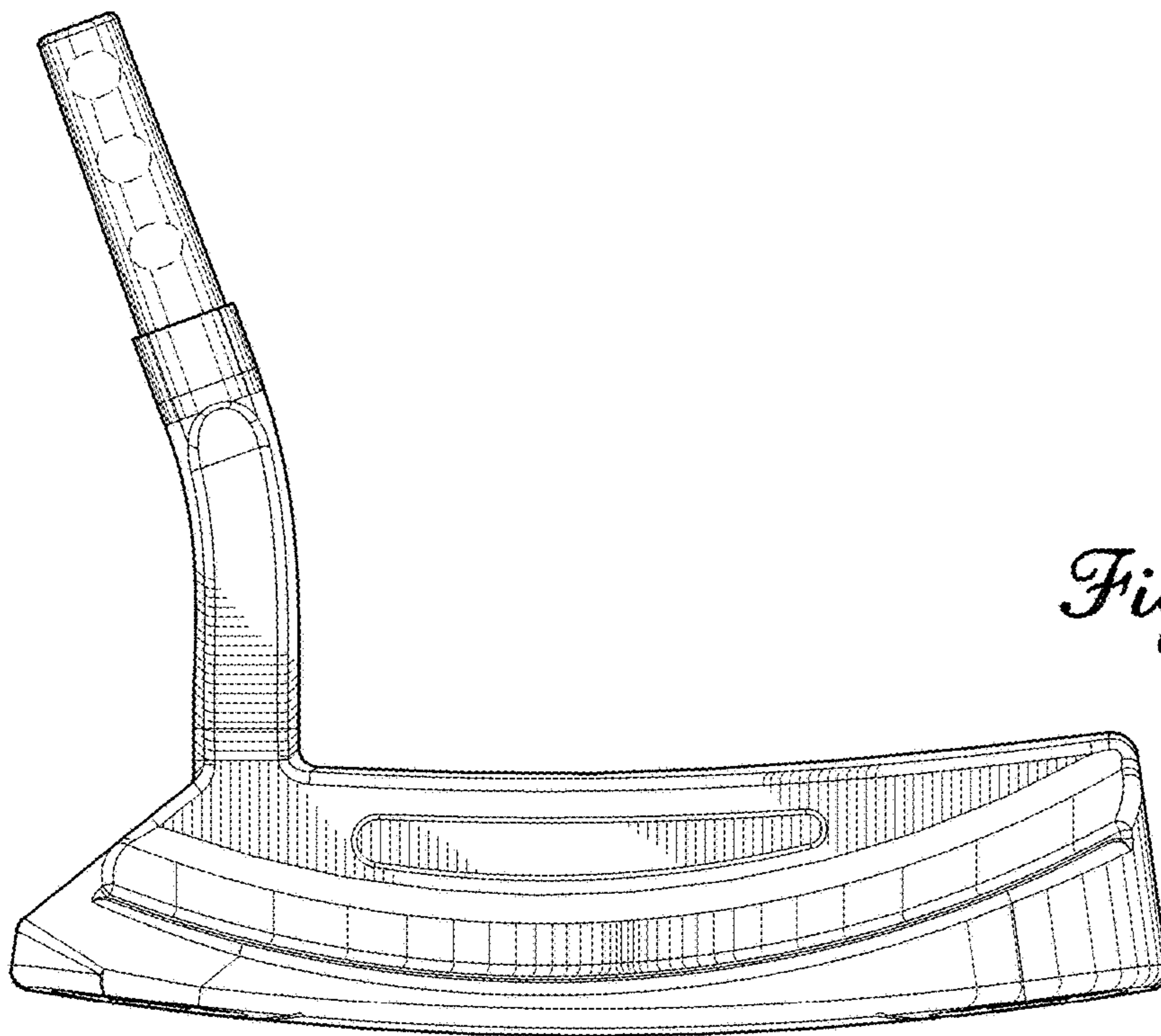


Fig. 12



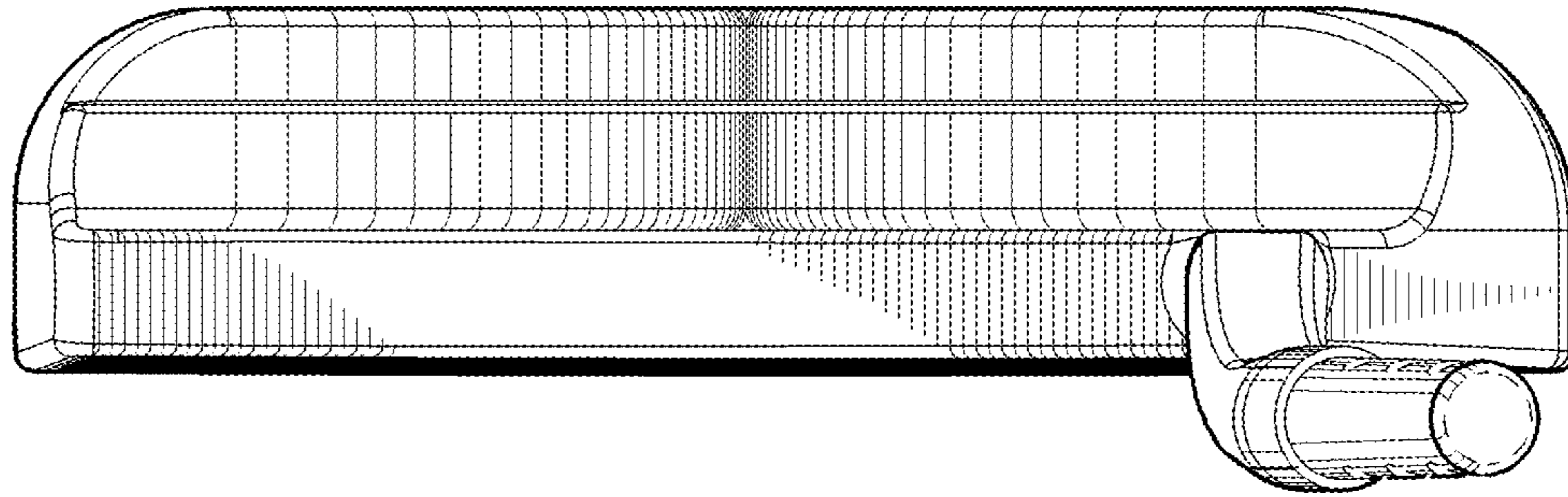


Fig. 13

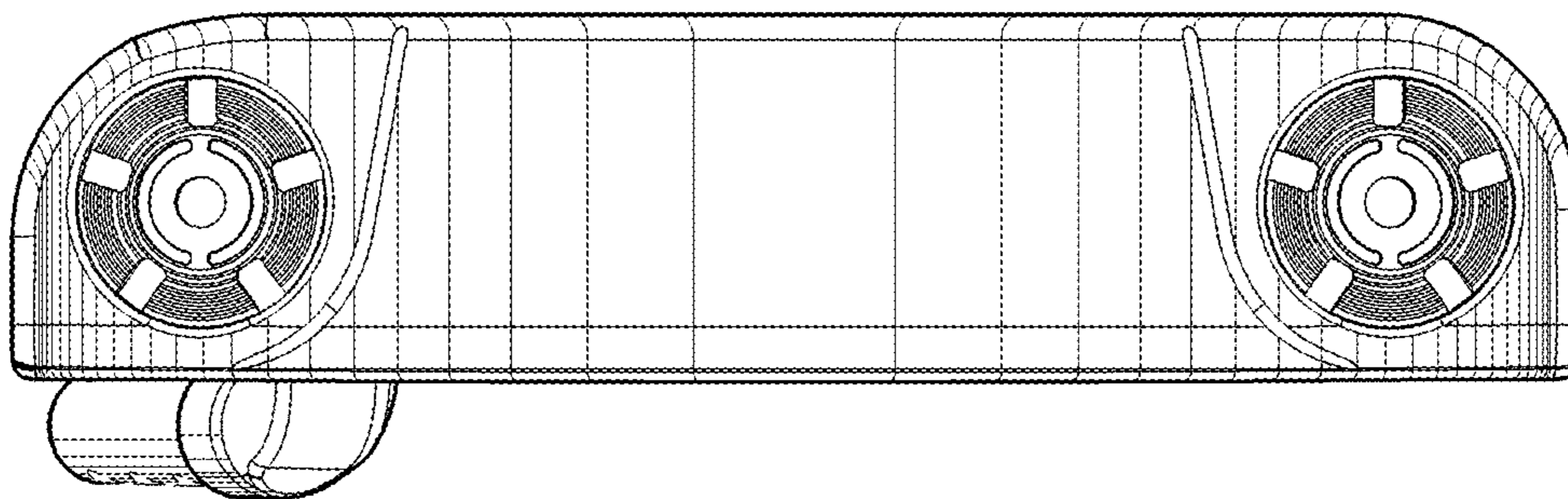


Fig. 14

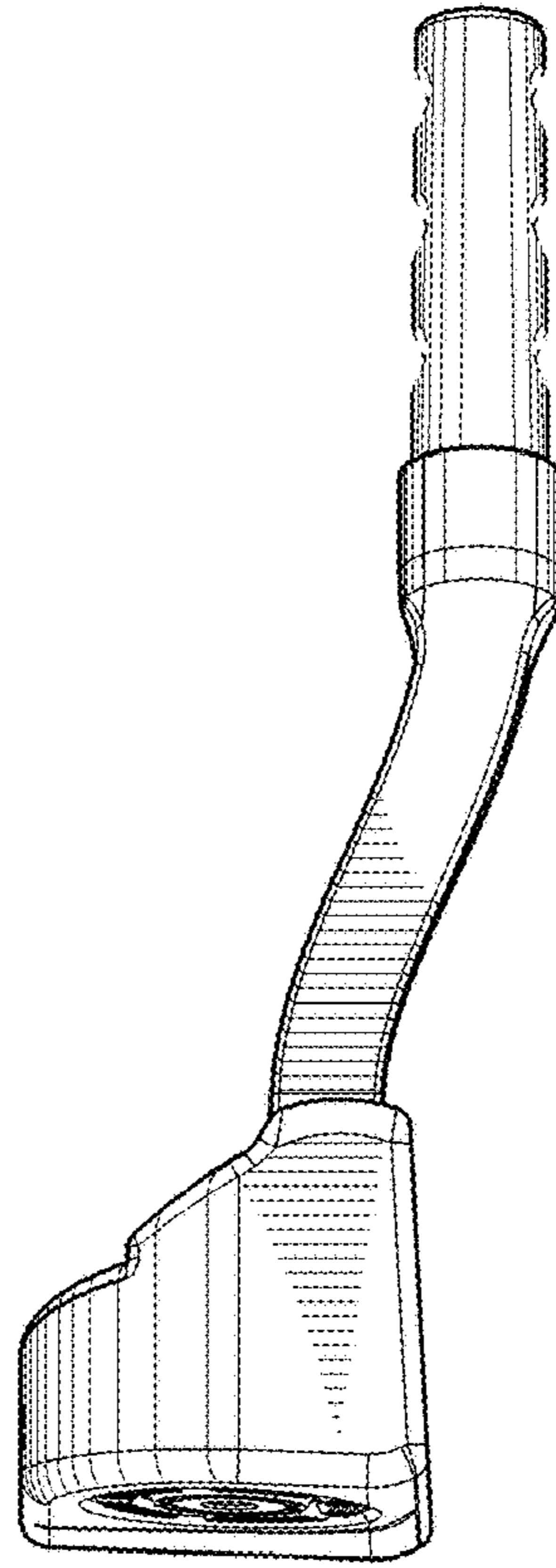


Fig. 15

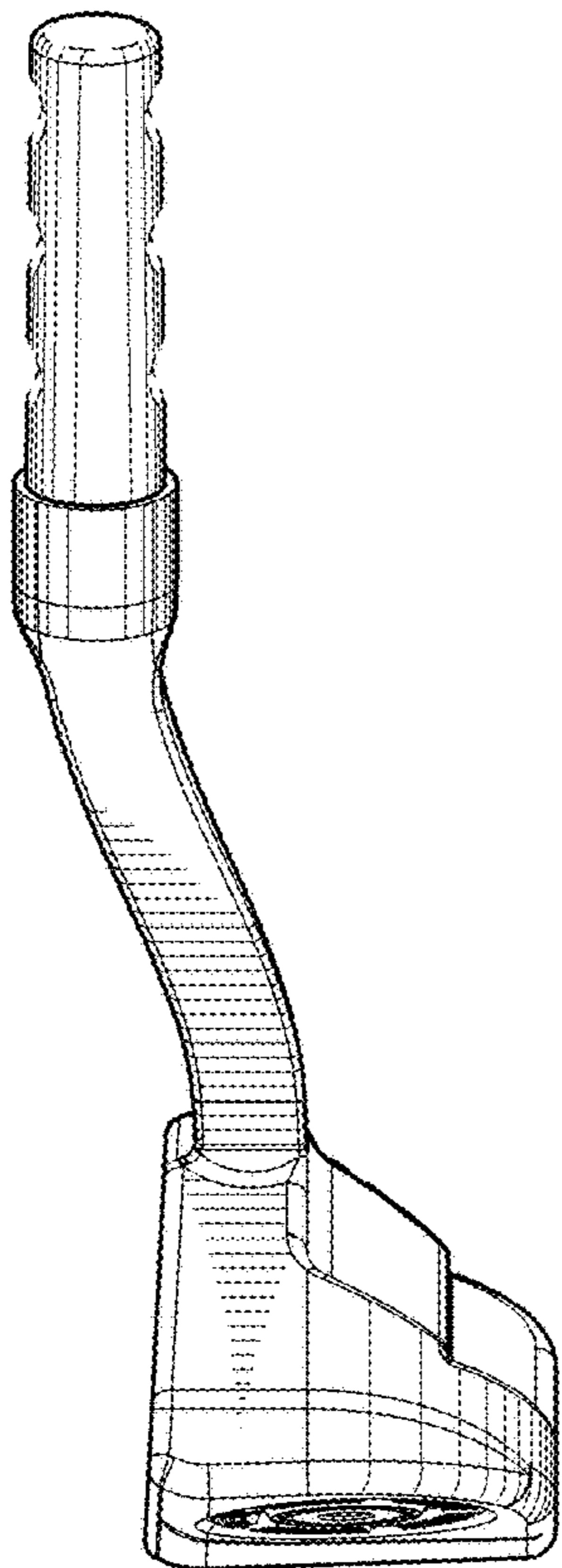


Fig. 16