



US00D832947S

(12) **United States Design Patent**  
**Terrebonne**

(10) **Patent No.:** **US D832,947 S**

(45) **Date of Patent:** **\*\* Nov. 6, 2018**

(54) **GOLF CLUB**

(71) Applicant: **Ecton Terrebonne**, Marrero, LA (US)

(72) Inventor: **Ecton Terrebonne**, Marrero, LA (US)

(\*\*) Term: **15 Years**

(21) Appl. No.: **29/603,569**

(22) Filed: **May 10, 2017**

**Related U.S. Application Data**

(62) Division of application No. 29/538,123, filed on Sep. 1, 2015, now Pat. No. Des. 802,066.

(51) **LOC (11) Cl.** ..... **21-02**

(52) **U.S. Cl.**  
USPC ..... **D21/736**

(58) **Field of Classification Search**  
USPC ..... D21/736-746; D8/75, 77, 78  
CPC ..... A63B 53/00; A63B 53/04; A63B 53/007;  
A63B 53/065; A63B 53/0487; B25D  
1/00; B25D 1/02; B25D 1/14  
See application file for complete search history.

(56) **References Cited**

**U.S. PATENT DOCUMENTS**

- 393,789 A \* 12/1888 Runnals ..... B25D 1/02  
81/19
- 2,755,833 A \* 7/1956 Quayle ..... B25D 1/02  
116/1
- D187,658 S \* 4/1960 Holdstein ..... D21/728
- 3,394,937 A \* 7/1968 Allport ..... A63B 53/007  
273/129 R
- D276,452 S \* 11/1984 Doman ..... D21/738
- D303,559 S \* 9/1989 Florian ..... D21/738
- 4,881,737 A \* 11/1989 Mullins ..... A63B 53/065  
403/84

- D368,292 S \* 3/1996 Willoughby ..... D21/738
- D391,329 S \* 2/1998 English ..... D21/738
- D399,546 S \* 10/1998 Polzin ..... D21/738
- D401,990 S \* 12/1998 Berkebile ..... D21/738
- D410,513 S \* 6/1999 Gardner ..... D21/736
- D489,780 S \* 5/2004 Sloboda ..... D21/738
- D521,581 S \* 5/2006 Johnson ..... D21/736
- D682,958 S \* 5/2013 Gishi ..... D21/738
- D715,878 S \* 10/2014 Gishi ..... D21/738
- D740,900 S \* 10/2015 Molgaard ..... D21/738
- D802,066 S \* 11/2017 Terrebonne ..... D21/736

\* cited by examiner

*Primary Examiner* — Mitchell I. Siegel

(74) *Attorney, Agent, or Firm* — Andrew Vicknair

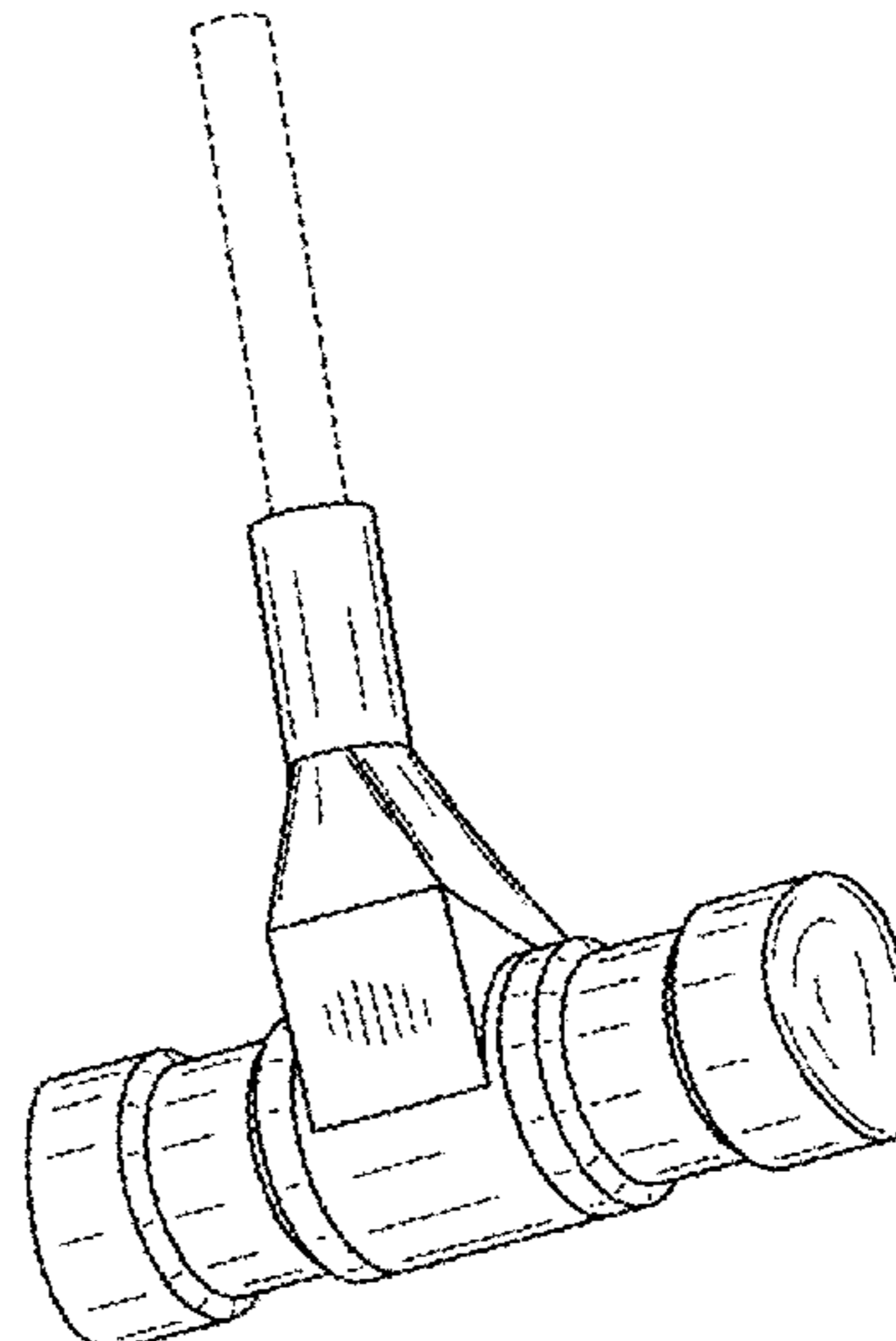
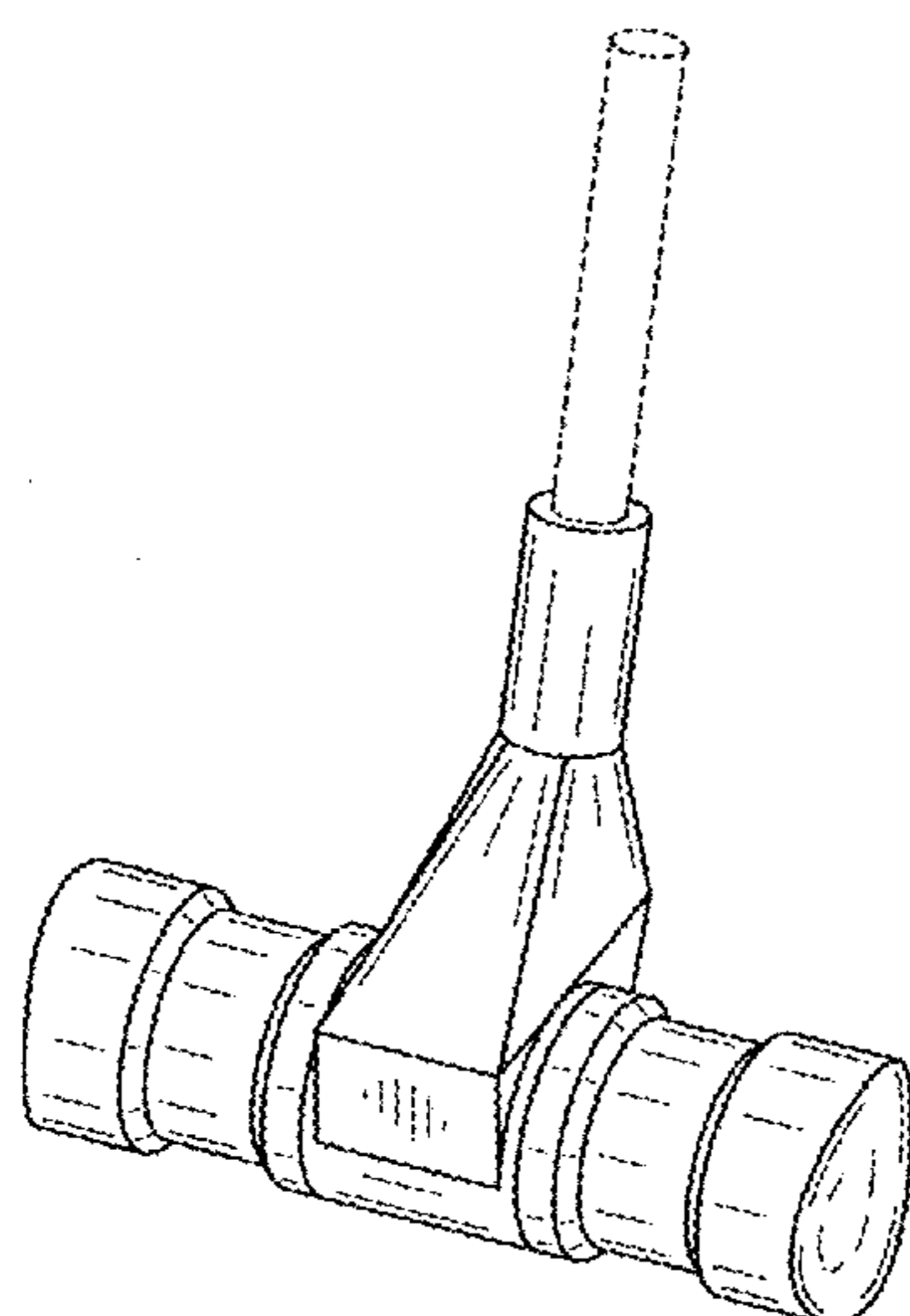
(57) **CLAIM**

The ornamental design for a golf club, as shown.

**DESCRIPTION**

FIG. 1 is a front perspective view of the golf club;  
 FIG. 2 is a back perspective view thereof;  
 FIG. 3 is a top view thereof;  
 FIG. 4 is bottom view thereof;  
 FIG. 5 is a side view thereof;  
 FIG. 6 is a front view thereof;  
 FIG. 7 is a back view thereof;  
 FIG. 8 is an exploded front perspective view of FIG. 1;  
 FIG. 9 is an exploded rear perspective view of FIG. 8;  
 FIG. 10 is an exploded top plan view of FIG. 8;  
 FIG. 11 is an exploded bottom plan view of FIG. 8;  
 FIG. 12 is an exploded front view FIG. 8; and,  
 FIG. 13 is an exploded back view of FIG. 8.  
 The broken line showing is for illustrative purposes only and forms no part of the claimed design.

**1 Claim, 6 Drawing Sheets**



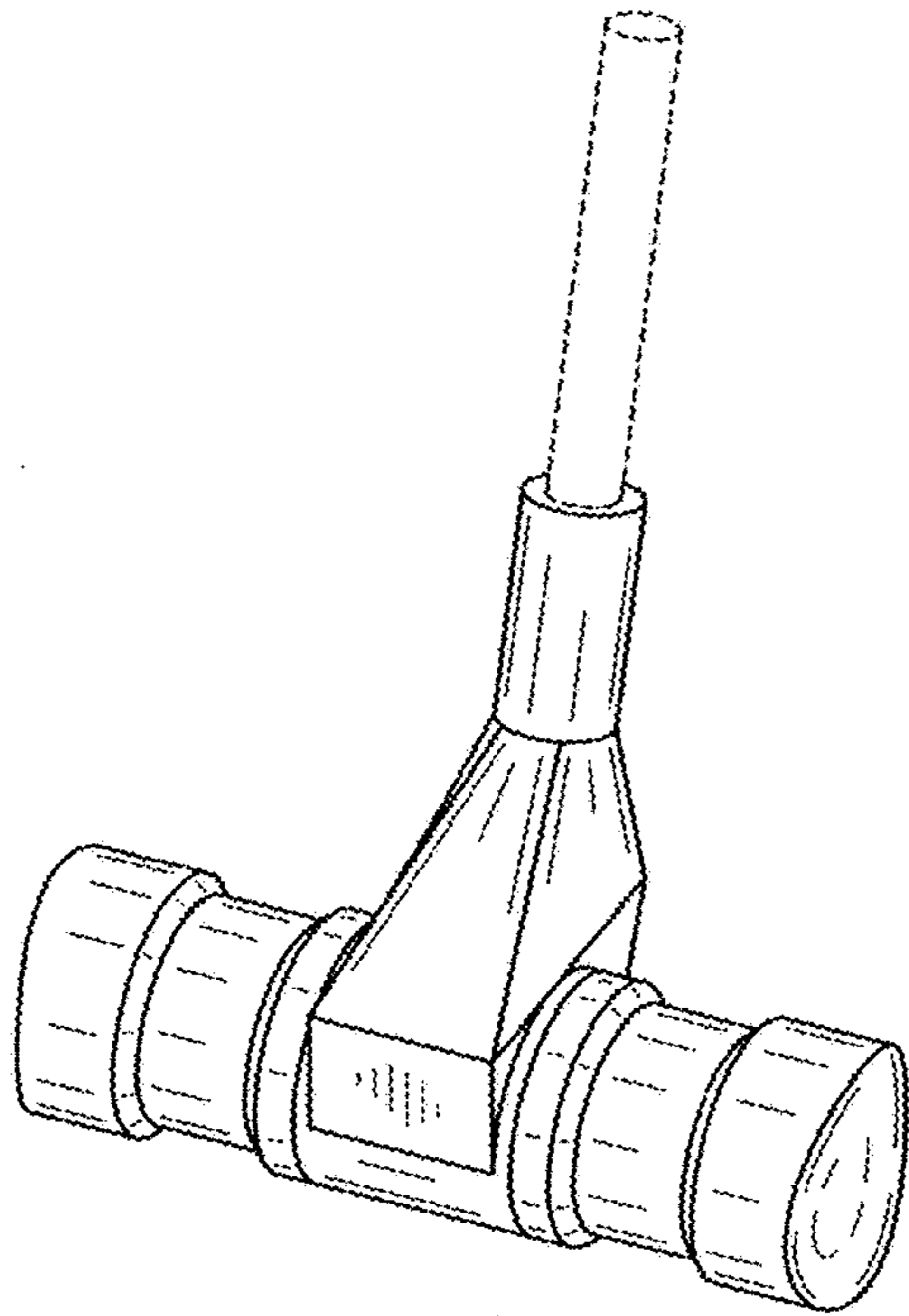


FIG. 1

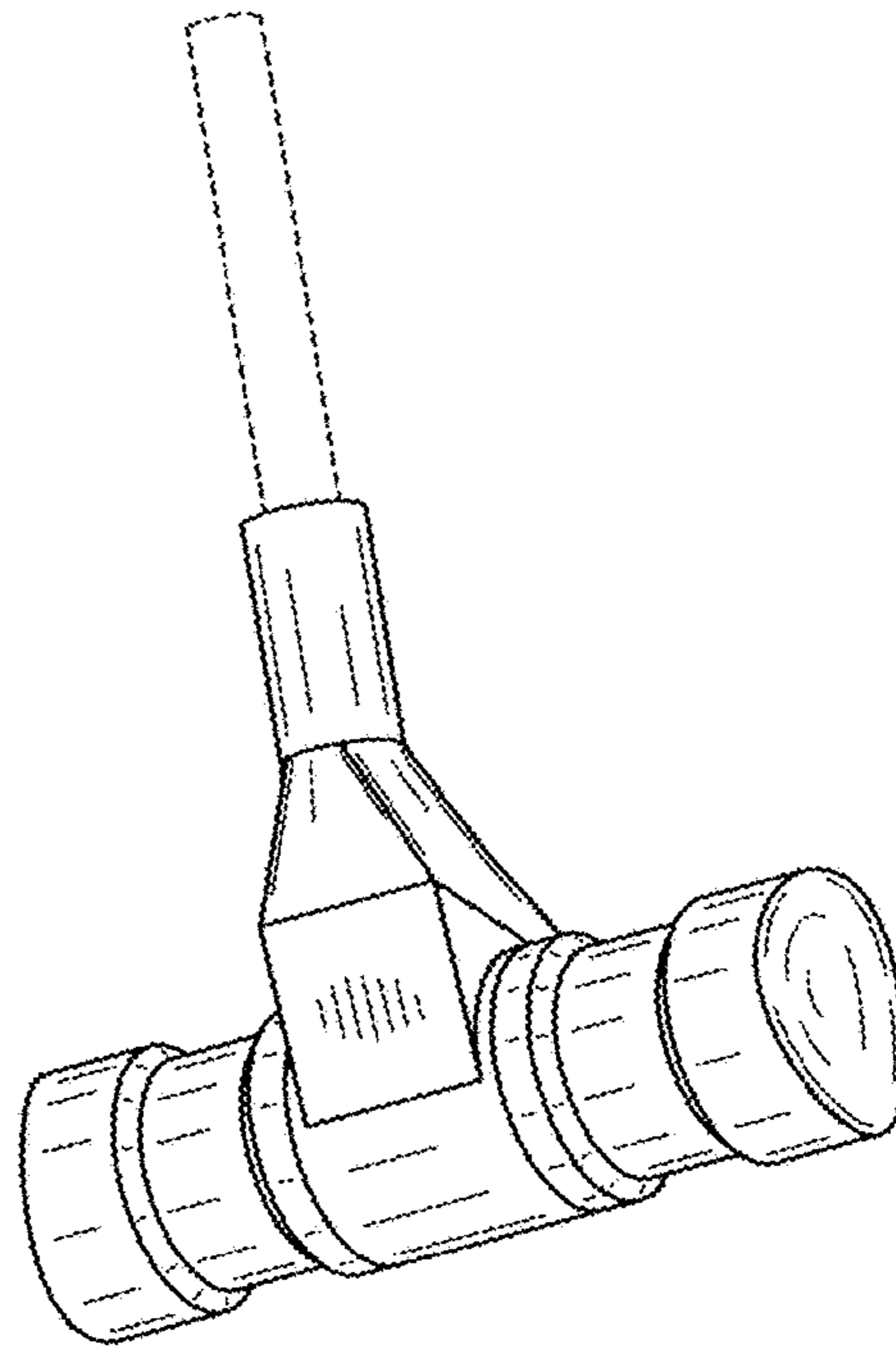


FIG. 2

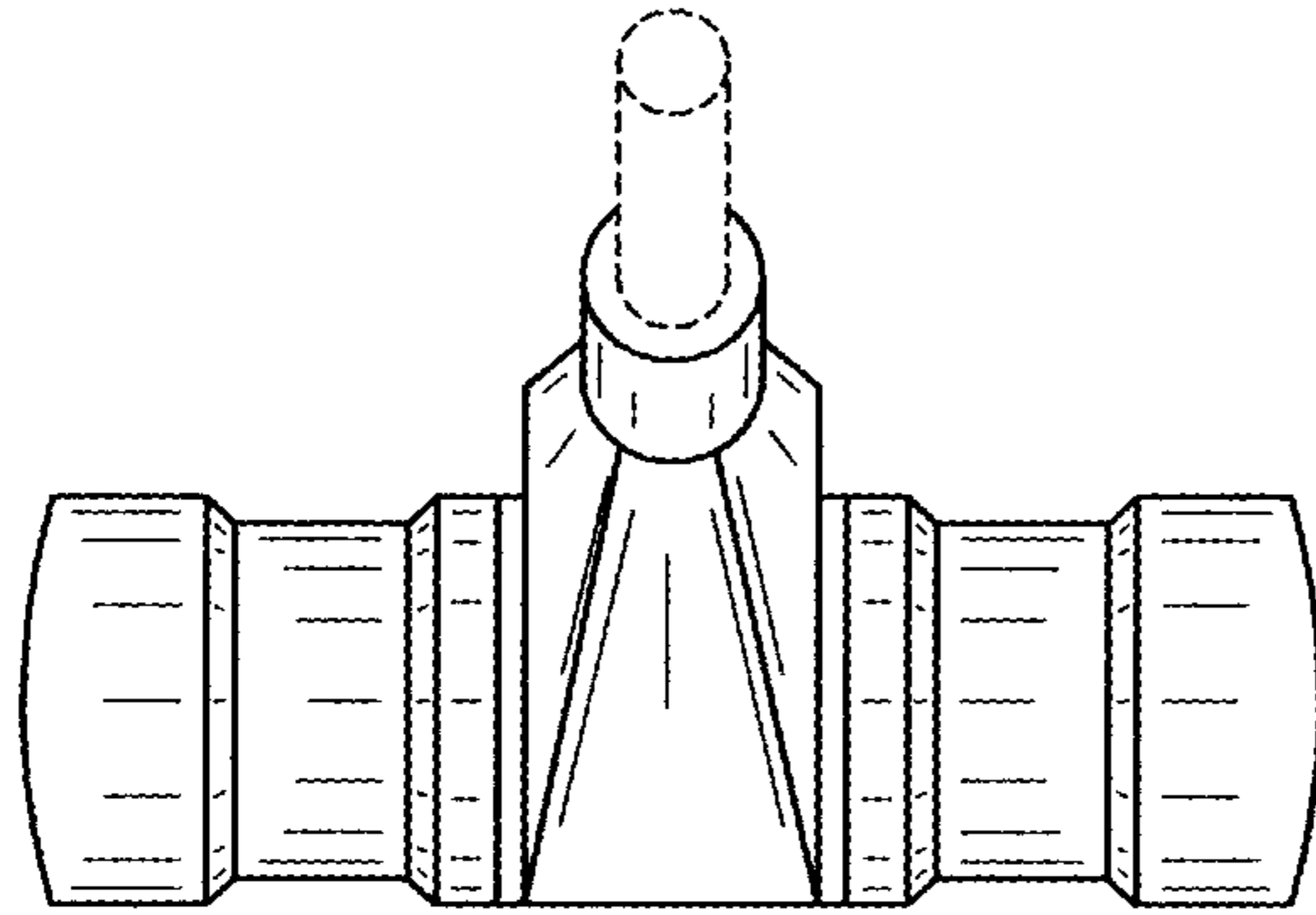


FIG. 3

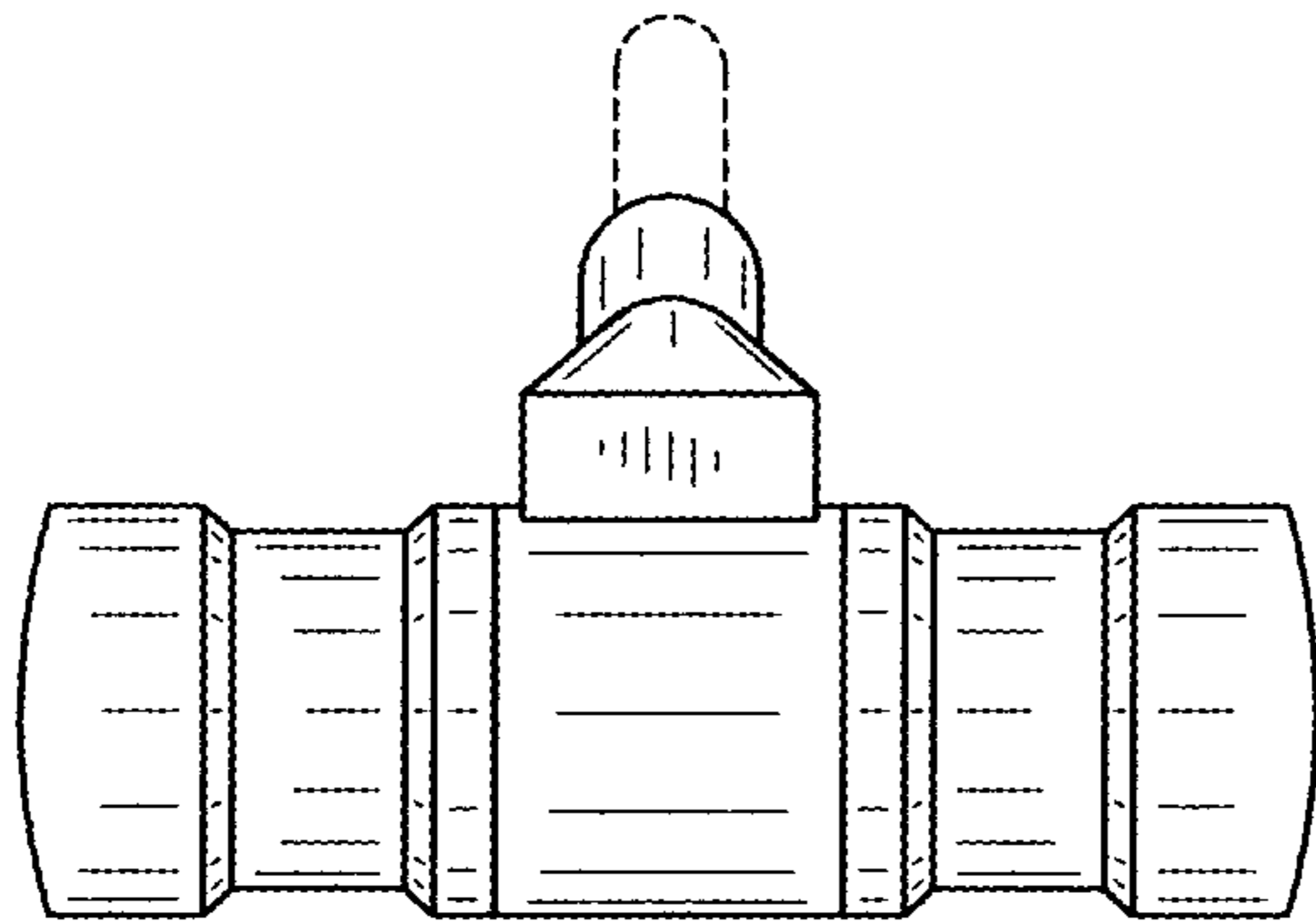


FIG. 4

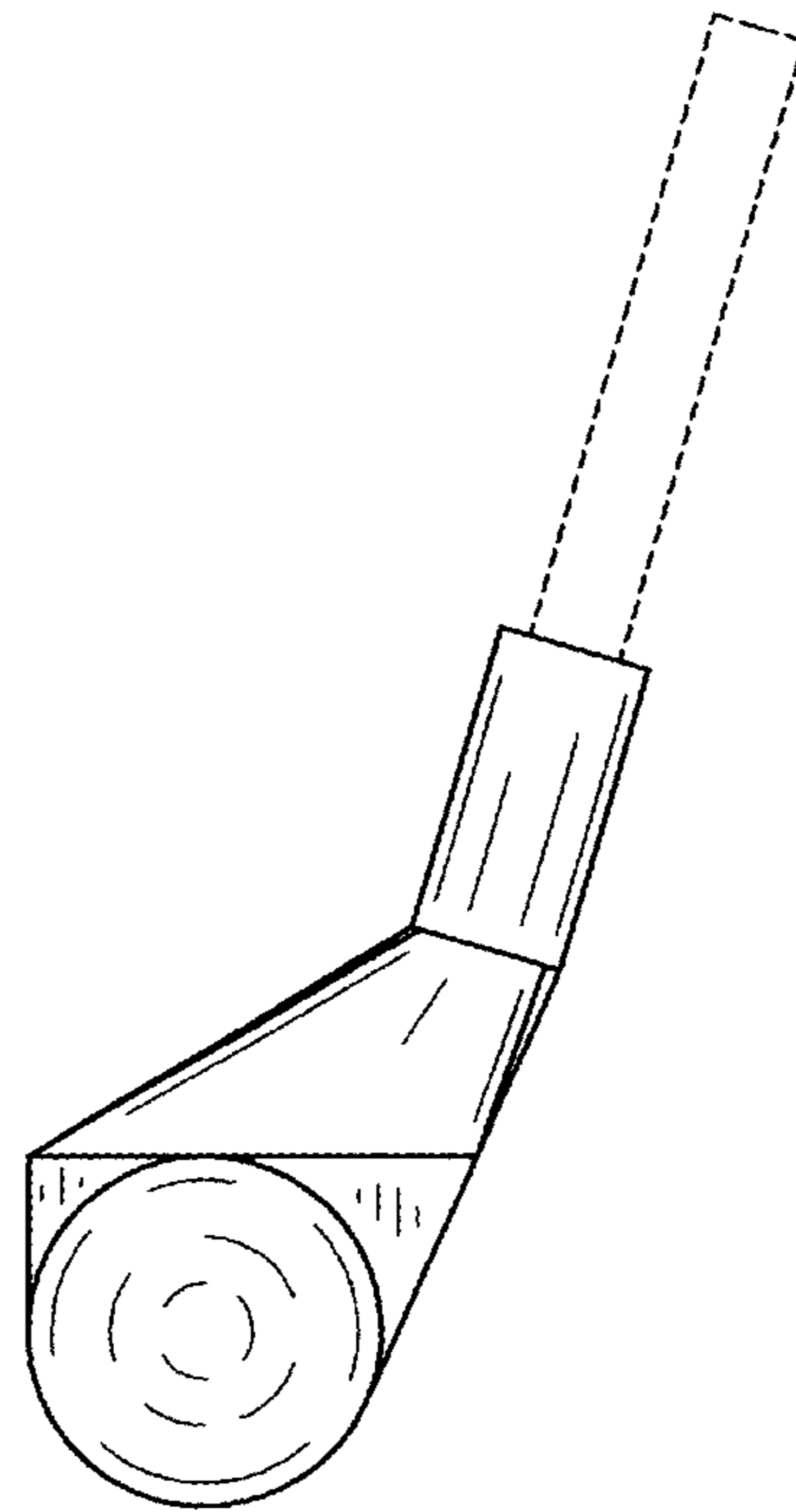


FIG. 5

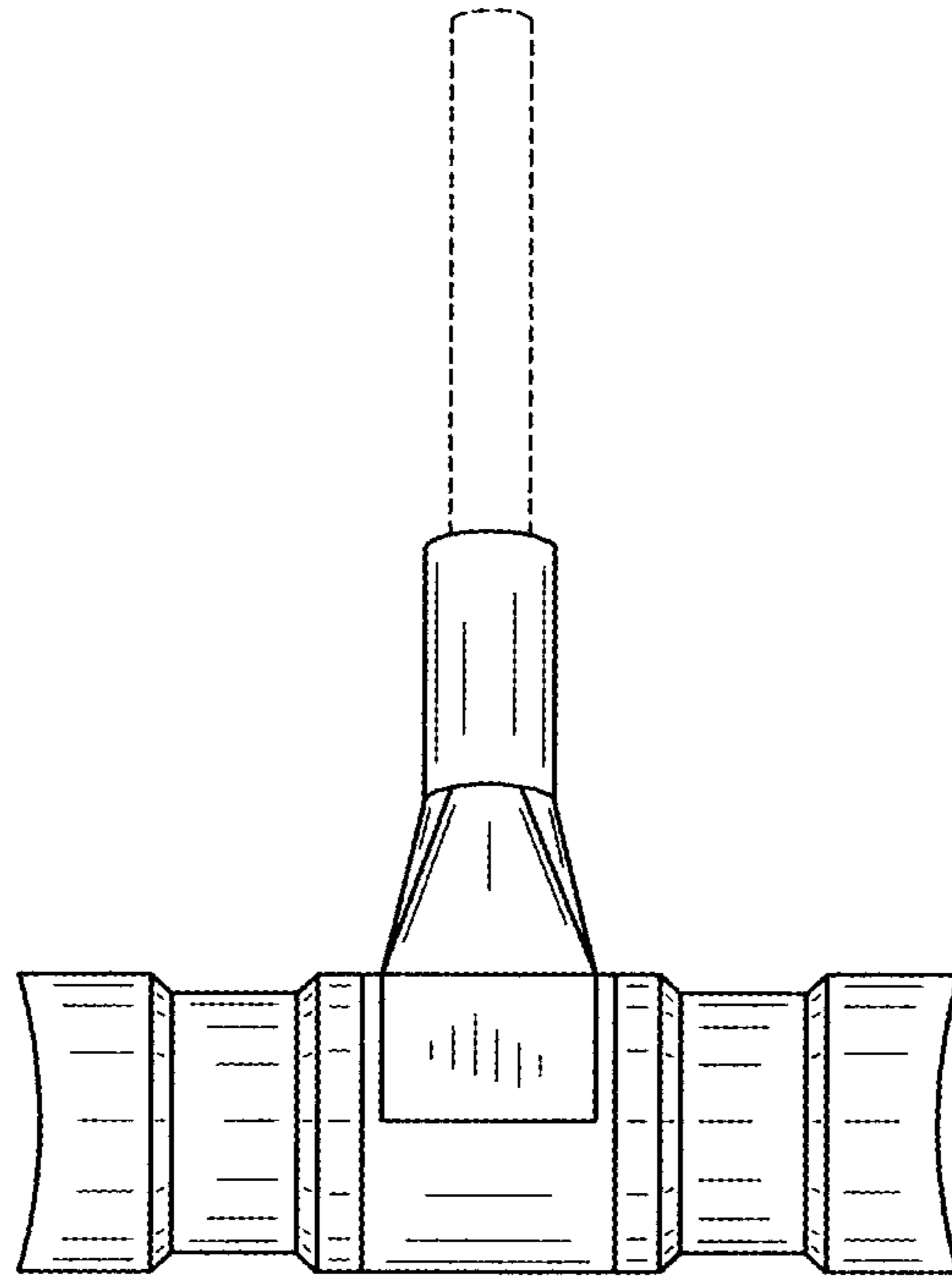


FIG. 6

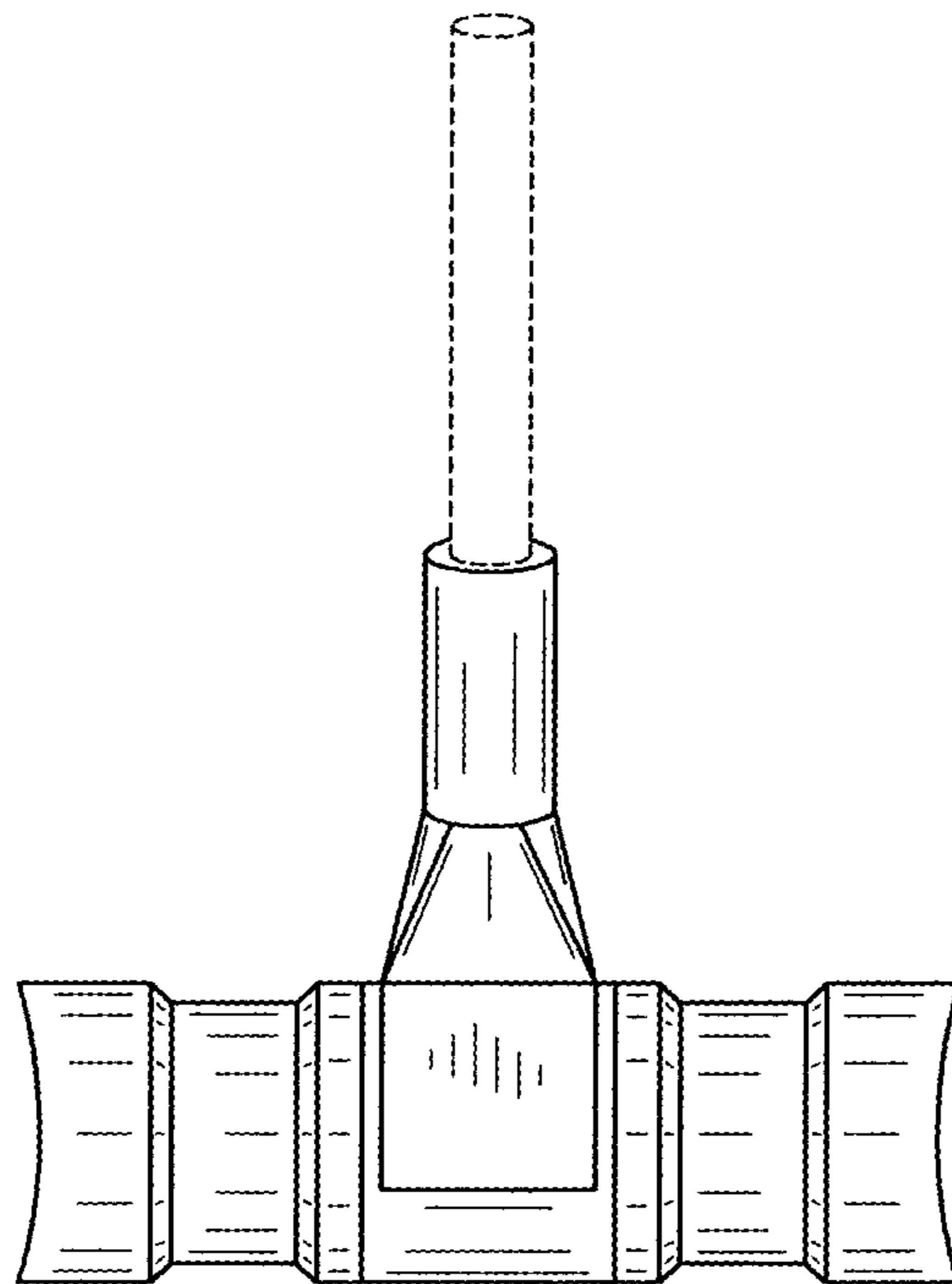


FIG. 7

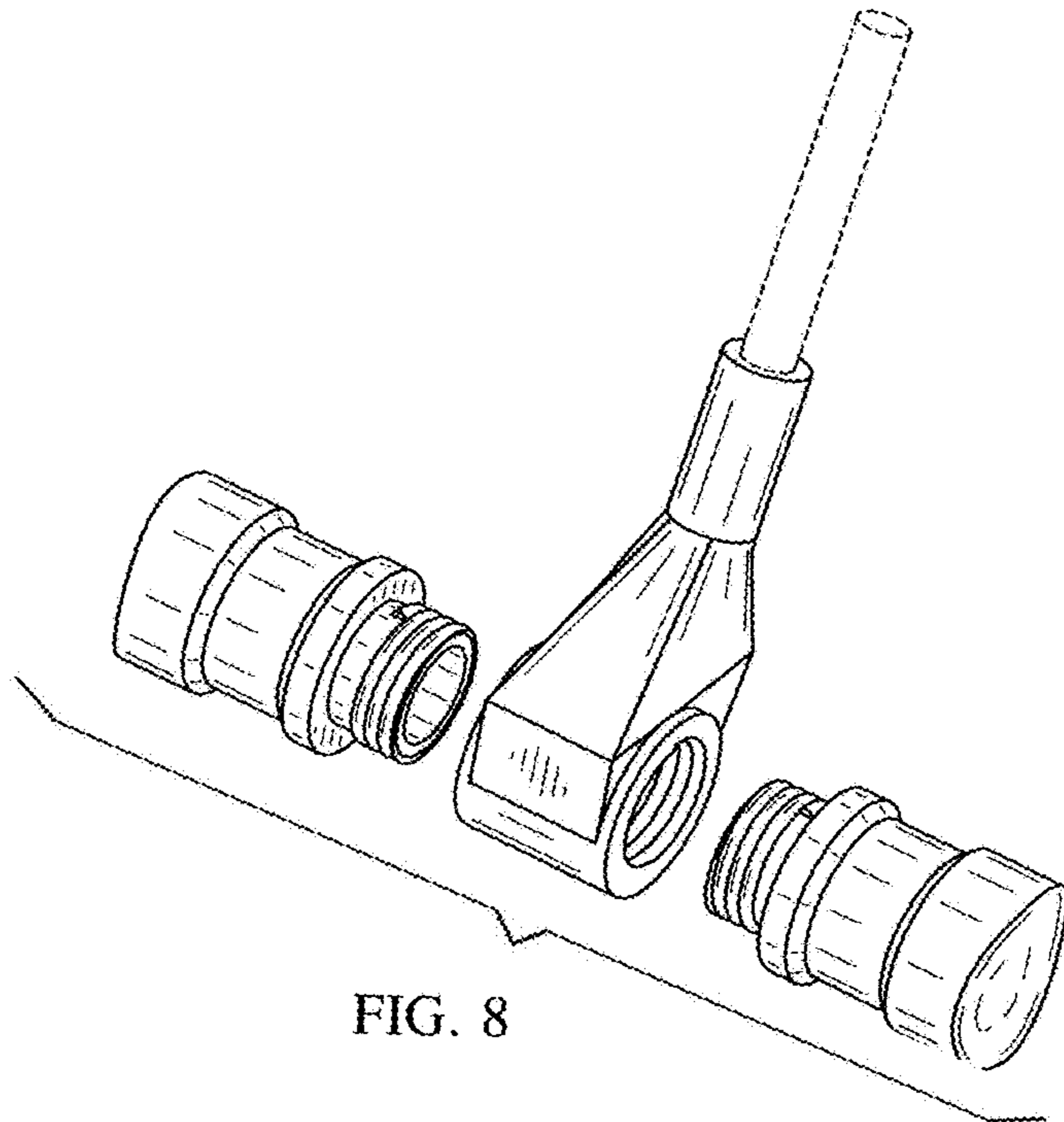


FIG. 8

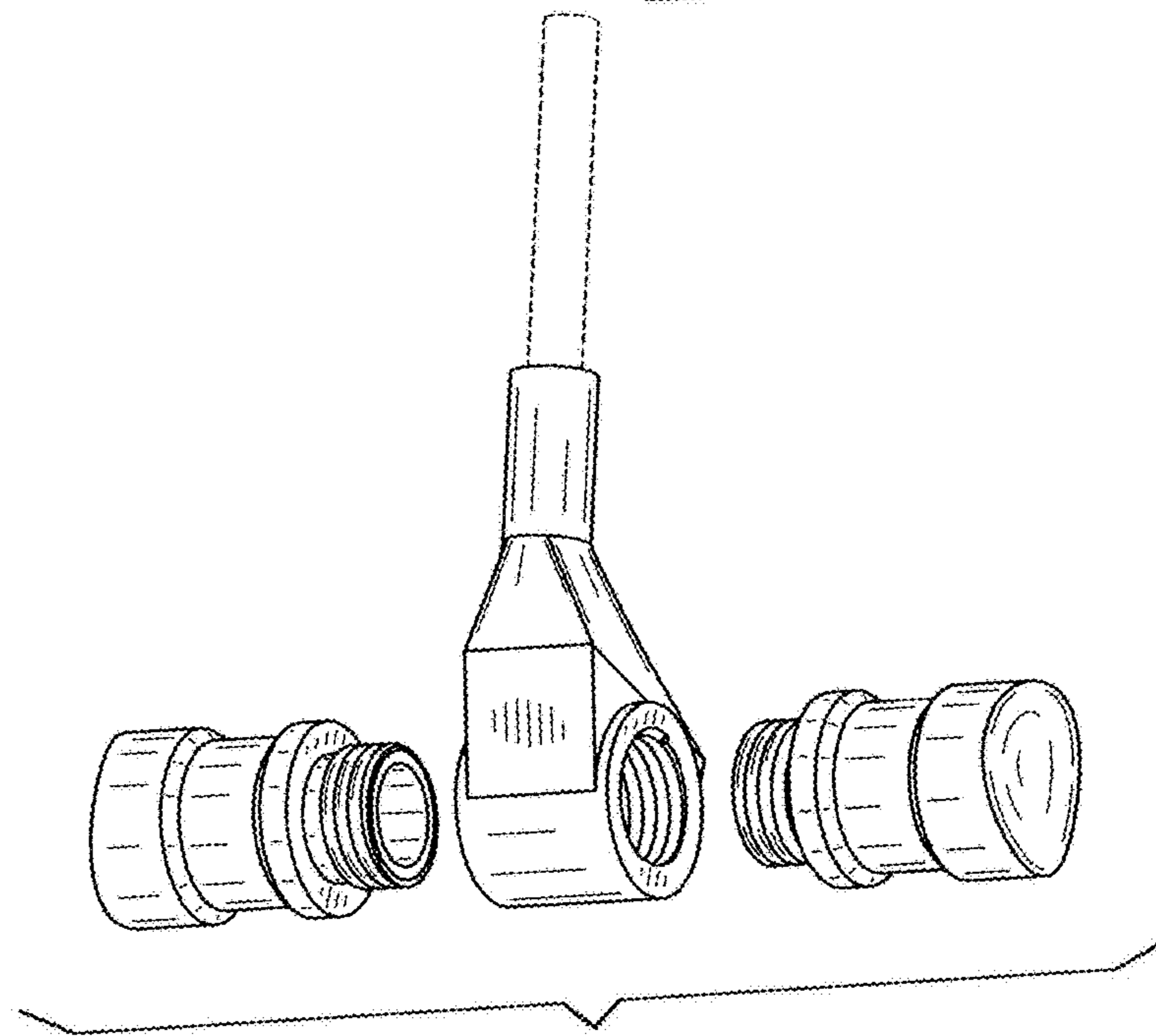


FIG. 9

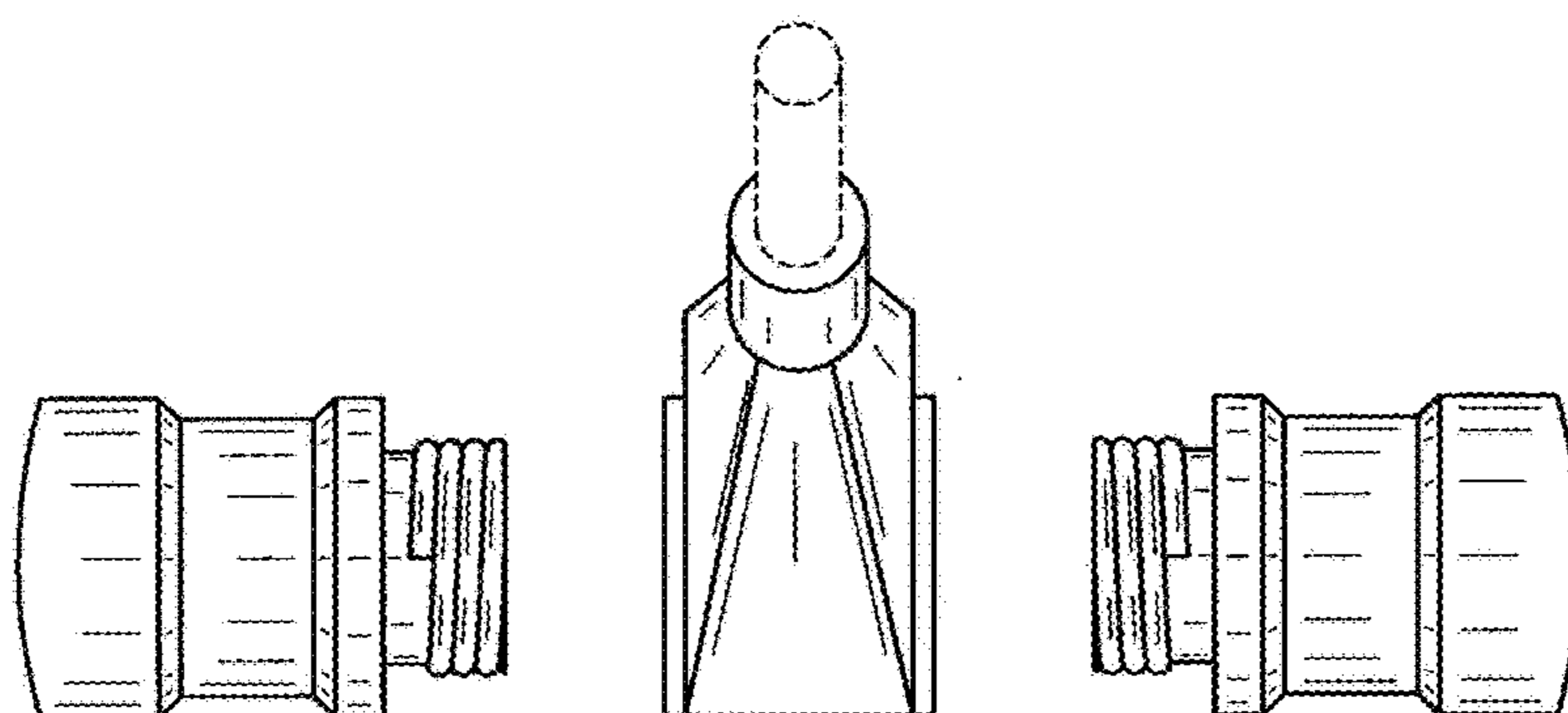


FIG. 10

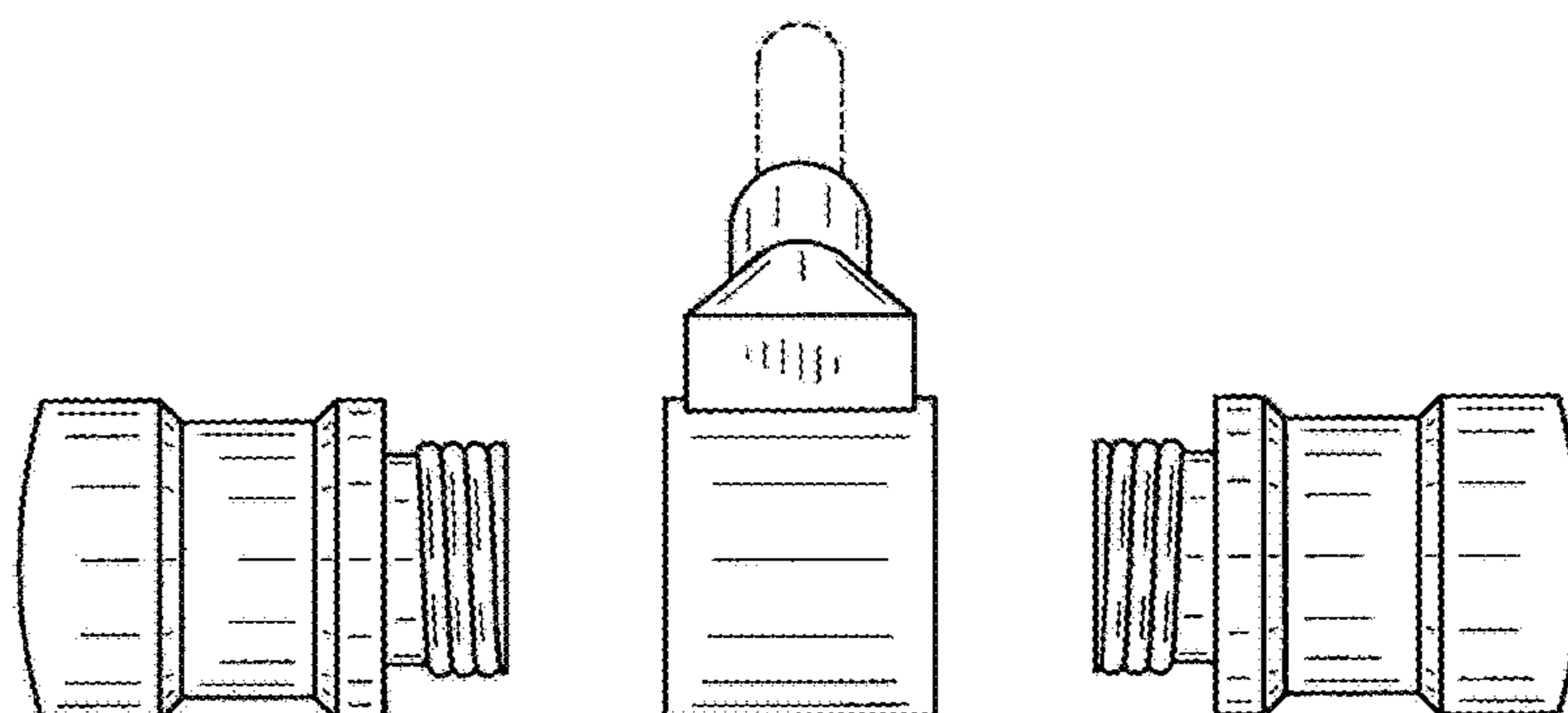


FIG. 11

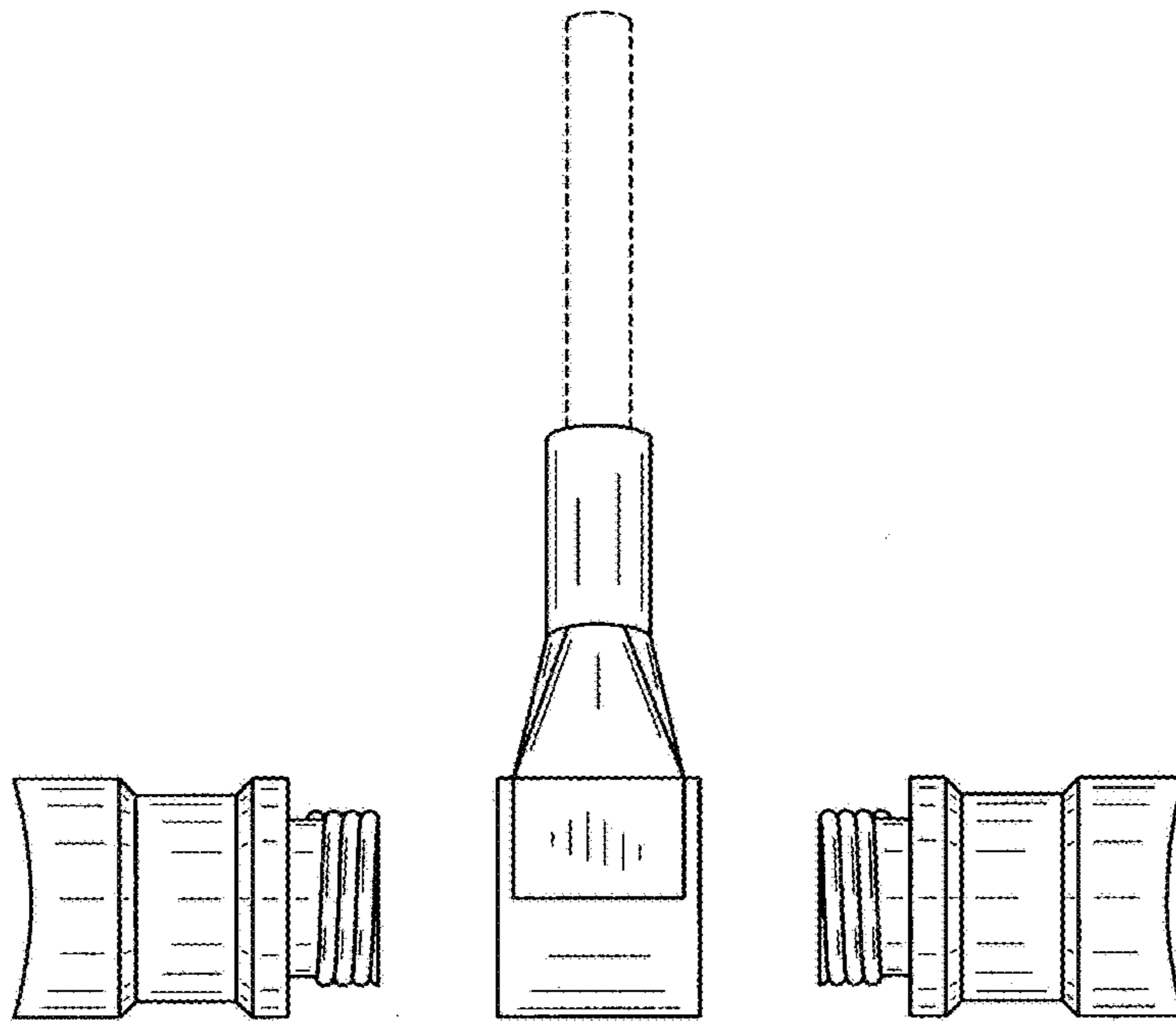


FIG. 12

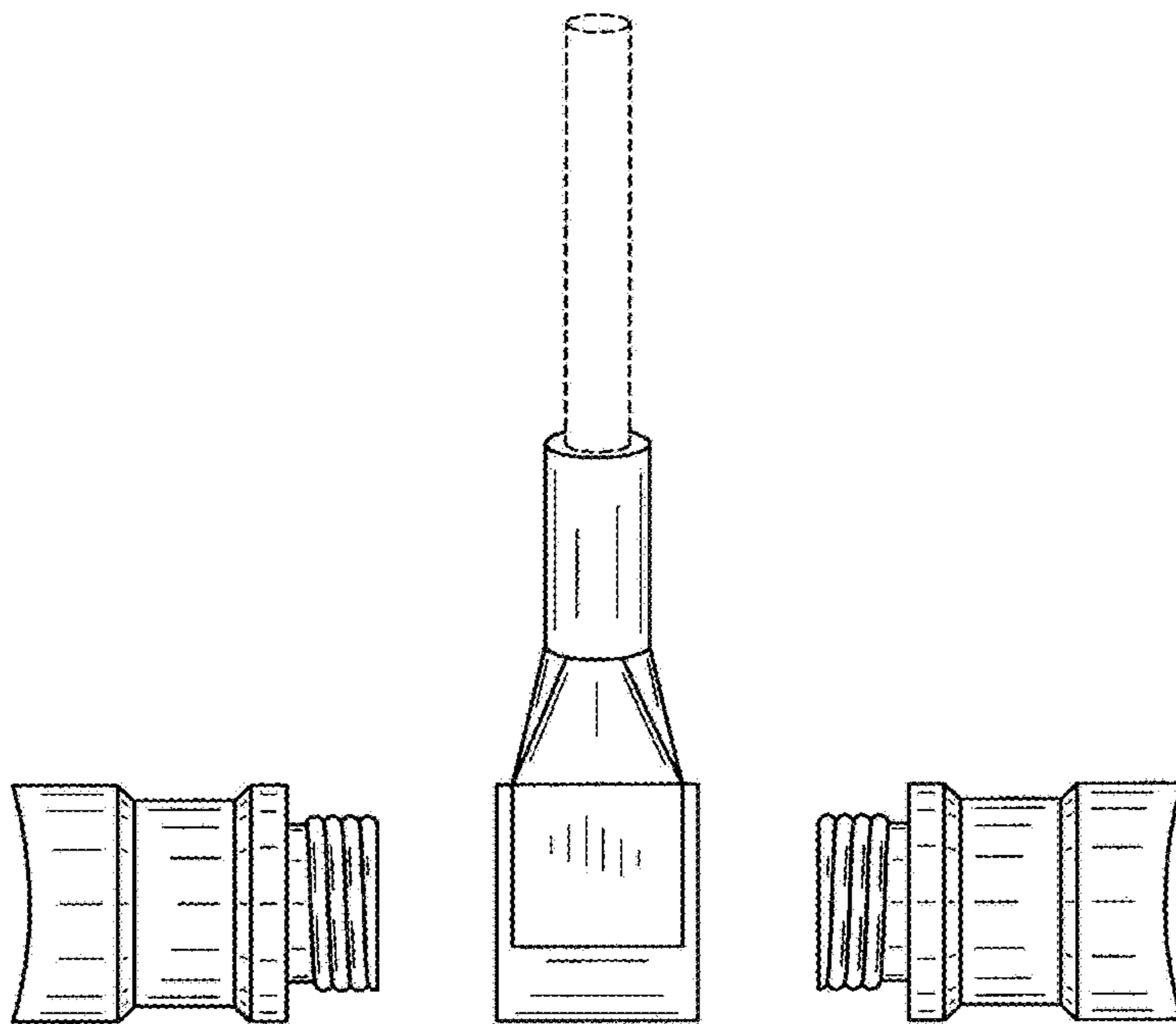


FIG. 13