



US00D832939S

(12) **United States Design Patent**  
**Chen**

(10) **Patent No.:** **US D832,939 S**

(45) **Date of Patent:** **\*\* Nov. 6, 2018**

(54) **TOY POP GUN WITH BARREL HANDLE**

(71) Applicant: **Shaoyun Chen**, Shantou (CN)

(72) Inventor: **Shaoyun Chen**, Shantou (CN)

(\*\*) Term: **15 Years**

(21) Appl. No.: **29/586,283**

(22) Filed: **Dec. 1, 2016**

(51) **LOC (11) Cl.** ..... **21-01**

(52) **U.S. Cl.**

USPC ..... **D21/573**; D21/567; D21/570; D21/574

(58) **Field of Classification Search**

USPC ..... D21/567, 570-575; D22/100, 101, 103,  
D22/104, 108, 109; 124/41.1, 45, 49, 50,  
124/51.1, 55, 56, 65, 69, 70-79, 80, 82;  
137/509; D23/223

CPC .... F41C 3/00; F41C 3/005; F41C 3/02; F41C  
3/04; F41C 3/06; F41C 3/14; F41C 3/16;  
F41C 9/02; F41C 9/04; F41C 9/06

See application file for complete search history.

(56) **References Cited**

**U.S. PATENT DOCUMENTS**

- 2,601,555 A 6/1952 Pope
- 2,678,847 A \* 5/1954 Caird ..... A62C 31/005  
137/509
- 2,725,868 A 12/1955 Foster
- 2,762,357 A 9/1956 Foster
- 3,236,521 A 2/1966 Knott
- 3,765,396 A 10/1973 Kienholz et al.
- 5,115,794 A 5/1992 Moormann
- 5,377,655 A 1/1995 Arad
- 5,377,656 A 1/1995 Lewinski et al.
- D385,008 S \* 10/1997 Lamont ..... D22/100
- 5,735,256 A 4/1998 Monk
- D599,433 S \* 9/2009 Zore ..... D23/223
- 7,938,100 B2 5/2011 Udwin
- 7,938,110 B2 \* 5/2011 Udwin ..... F41B 11/641  
124/65
- D666,275 S \* 8/2012 DeVore ..... D23/223

- 8,671,926 B1 \* 3/2014 Mahlstedt ..... F41B 11/641  
124/65
- D718,824 S \* 12/2014 Huang ..... D21/570
- 9,062,928 B2 \* 6/2015 Appleton ..... F41B 11/73
- D786,986 S \* 5/2017 Su ..... D21/570
- D790,639 S \* 6/2017 Yu ..... D21/573
- D792,543 S \* 7/2017 Lakatos ..... D22/104

**OTHER PUBLICATIONS**

Exercise N Play Rapid Fire Atomic Power Pump Action Popper Air Powered [online] found on Jan. 16, 2018 from URL [https://www.amazon.com/EXERCISE-PLAY-Powered-Blaster-Shooter/dp/B01N5M7I2O/ref=pd\\_sbs\\_21\\_4?encoding=UTF8&pd\\_rd\\_i=B01N5M7I2O&pd\\_rd\\_r=T0YDNH98W36NVS6XYF1C&pd\\_rd\\_w=Vndbx&pd\\_rd\\_wg=wuQgC&psc=1&refRID=T0YDNH98W36NVS6XYF1C](https://www.amazon.com/EXERCISE-PLAY-Powered-Blaster-Shooter/dp/B01N5M7I2O/ref=pd_sbs_21_4?encoding=UTF8&pd_rd_i=B01N5M7I2O&pd_rd_r=T0YDNH98W36NVS6XYF1C&pd_rd_w=Vndbx&pd_rd_wg=wuQgC&psc=1&refRID=T0YDNH98W36NVS6XYF1C).\*

\* cited by examiner

*Primary Examiner* — Robin V Webster

*Assistant Examiner* — Keith J Wilson

(74) *Attorney, Agent, or Firm* — LaMorte & Associates P.C.

(57) **CLAIM**

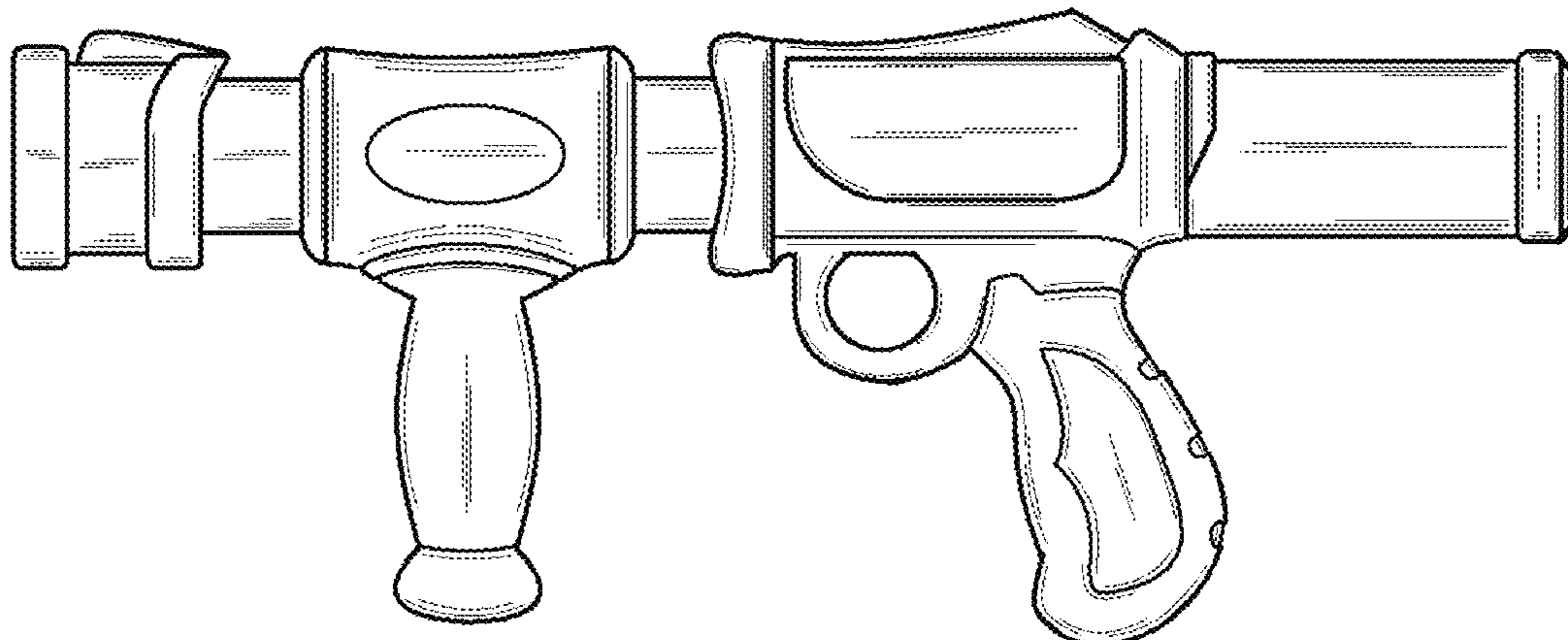
The ornamental design for a toy pop gun with barrel handle, as shown and described.

**DESCRIPTION**

FIG. 1 is left side view of a toy pop gun with barrel handle, the right side view being a mirror image thereof; FIG. 2 is a top view thereof; FIG. 3 is a bottom view thereof; FIG. 4 is a front view thereof; FIG. 5 is a rear view thereof; and, FIG. 6 is a perspective view thereof.

The area encompassed by broken lines in the drawing depict portions of the toy pop gun with barrel handle that form no part of the claimed design.

**1 Claim, 5 Drawing Sheets**



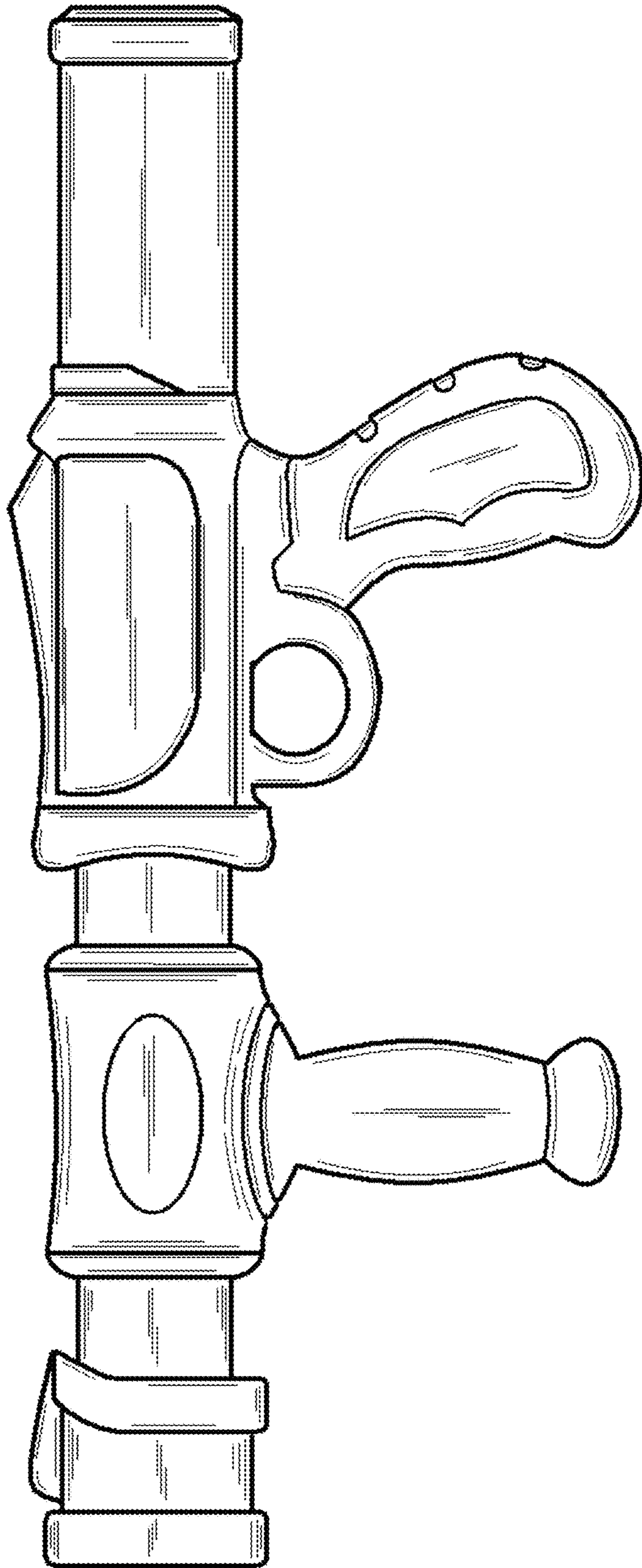


FIG. 1

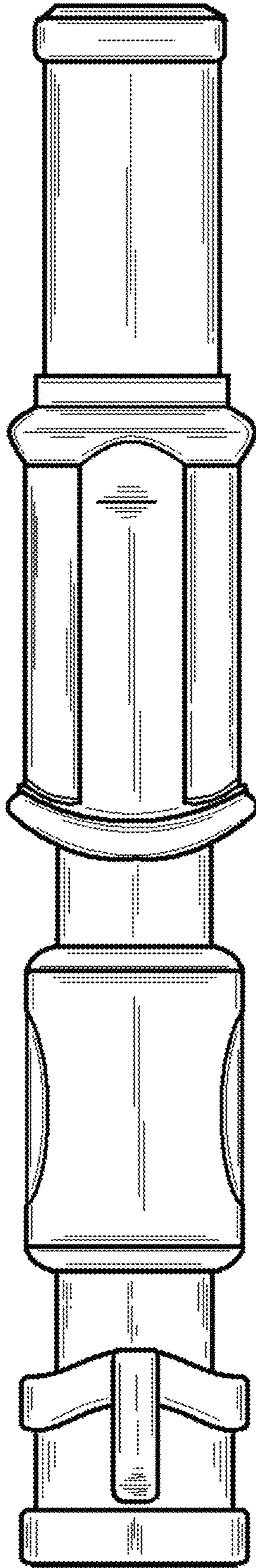


FIG. 2



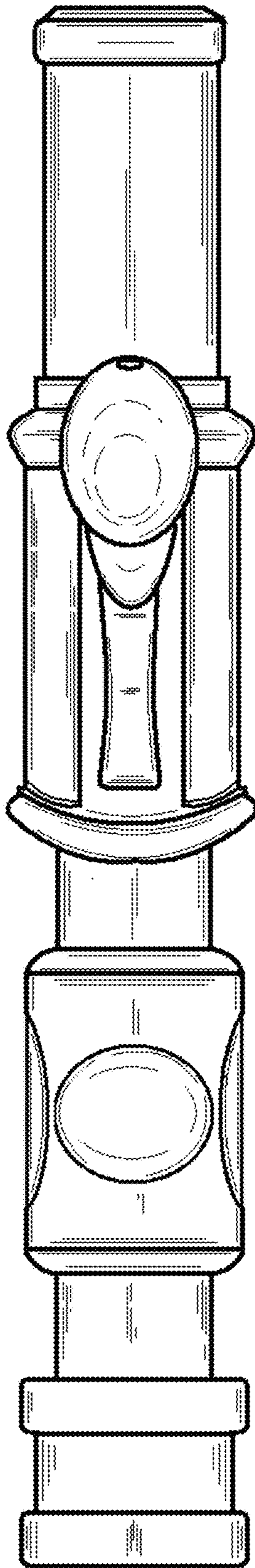


FIG. 3

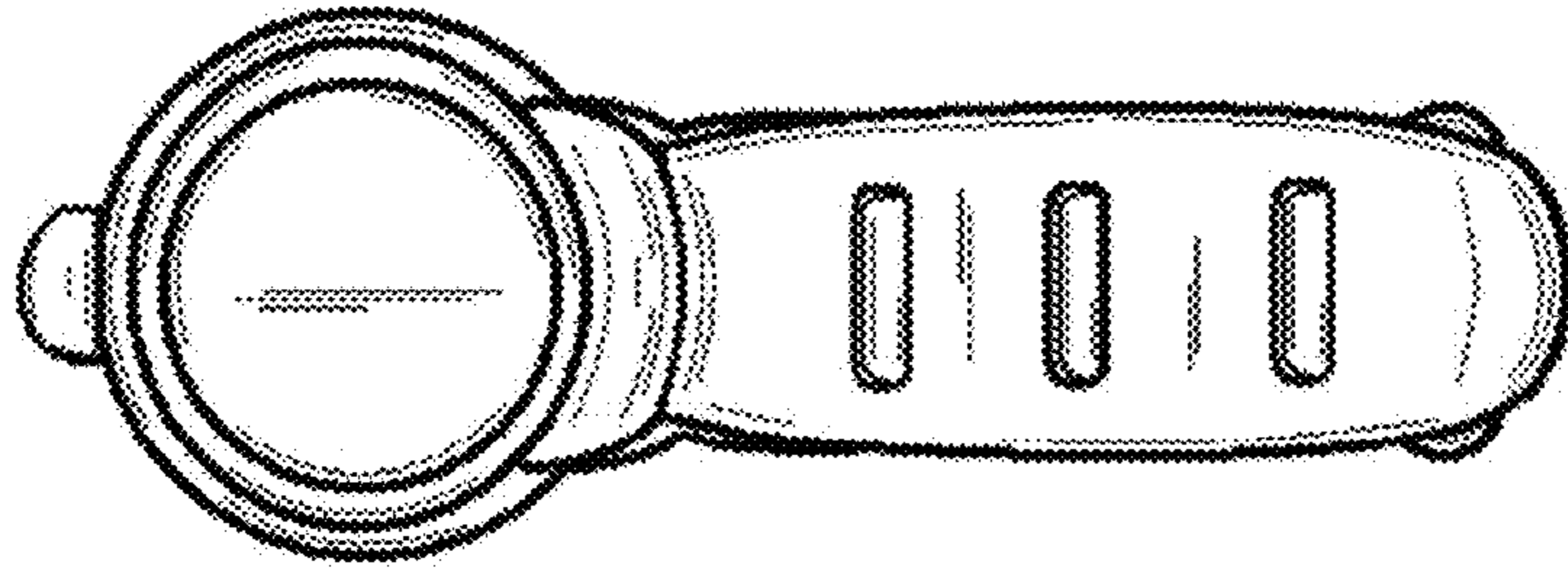


FIG. 5

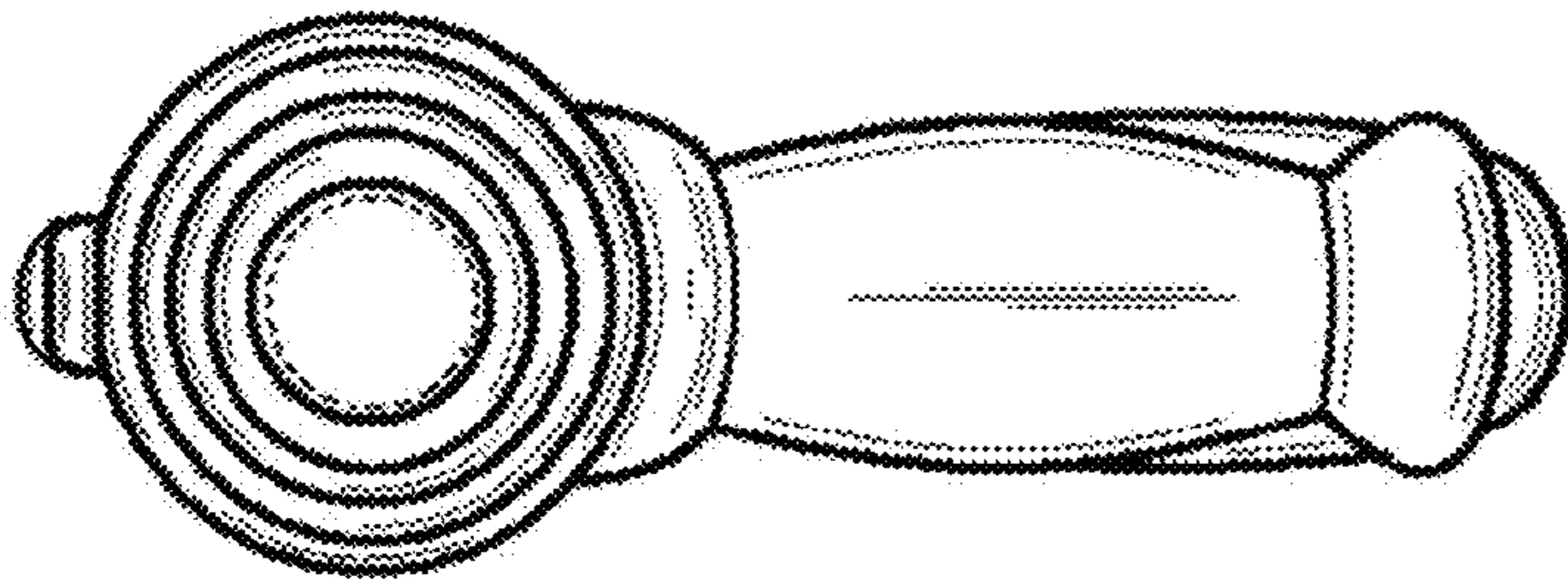


FIG. 4

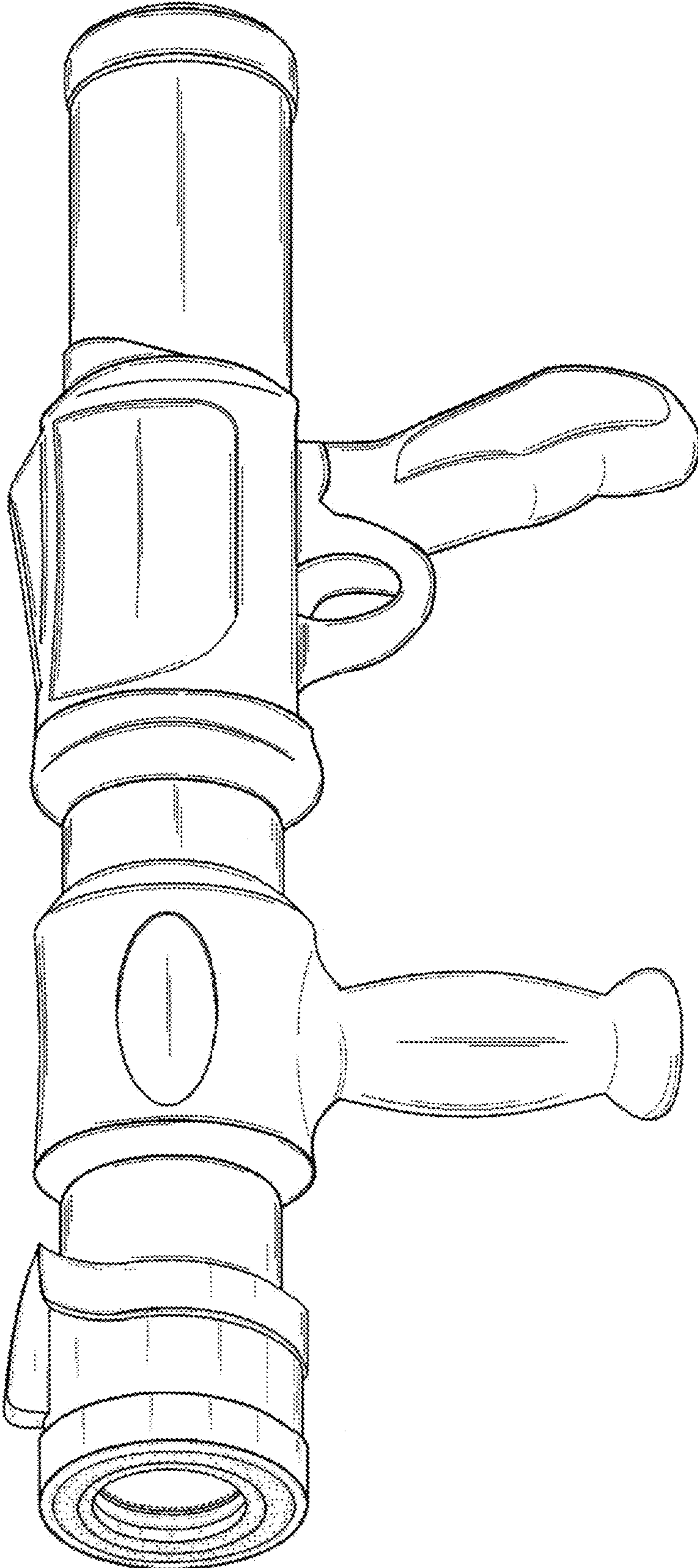


FIG. 6