



US00D832938S

(12) **United States Design Patent**  
**Langberg**

(10) **Patent No.:** **US D832,938 S**

(45) **Date of Patent:** **\*\* Nov. 6, 2018**

- (54) **TOY CAR**
- (71) Applicant: **Eric Langberg**, Milford, PA (US)
- (72) Inventor: **Eric Langberg**, Milford, PA (US)
- (73) Assignee: **IdeaVillage Products Corp.**, Wayne, NJ (US)
- (\*\*) Term: **15 Years**
- (21) Appl. No.: **29/620,697**
- (22) Filed: **May 1, 2017**
- (51) **LOC (11) Cl.** ..... **21-01**
- (52) **U.S. Cl.**  
USPC ..... **D21/548**; D21/424; D21/533; D21/549;  
D12/83; D12/86
- (58) **Field of Classification Search**  
USPC ..... D12/86, 88, 90-92, 164, 173, 184-186,  
D12/190, 196; D21/419, 421, 423,  
D21/424-426, 433-434, 548, 549, 550,  
D21/552, 559, 561; 446/456  
CPC .... A63H 17/26; A63H 17/262; A63H 17/264;  
A63H 17/266; A63H 17/36; A63H 17/38;  
A63H 29/00; A63H 29/22; A63H 29/24;  
A63H 30/04  
See application file for complete search history.

- D506,161 S \* 6/2005 Stephenson ..... D12/92
- D507,992 S \* 8/2005 Stephenson ..... D12/92
- D521,904 S \* 5/2006 Moruzzi ..... D12/92
- D534,222 S \* 12/2006 Hill ..... D21/433
- D550,126 S \* 9/2007 Amprimo ..... D12/88
- D566,790 S \* 4/2008 Idiot ..... D21/552
- D576,523 S \* 9/2008 Battams ..... D12/88
- D753,549 S \* 4/2016 Manzoni ..... D12/88
- D756,847 S \* 5/2016 Nicoghosian ..... D12/88
- D769,378 S \* 10/2016 Belker ..... D21/549
- D770,574 S \* 11/2016 Belker ..... D21/549
- D770,575 S \* 11/2016 Belker ..... D21/549
- D790,402 S \* 6/2017 Perini ..... D12/88
- D792,526 S \* 7/2017 Belker ..... D21/561
- D801,857 S \* 11/2017 Kim ..... D12/88

\* cited by examiner

*Primary Examiner* — Robin V Webster

*Assistant Examiner* — Keith J Wilson

(74) *Attorney, Agent, or Firm* — Dan M. DeLaRosa

(57) **CLAIM**

The ornamental design for a toy car, as shown and described.

**DESCRIPTION**

FIG. 1 is a front perspective view of the toy car of the present invention showing my new design;  
 FIG. 2 is front side elevational view thereof;  
 FIG. 3 is a back side elevational view thereof;  
 FIG. 4 is a side elevational view thereof;  
 FIG. 5 is another side elevational view thereof  
 FIG. 6 is a top plan view thereof; and,  
 FIG. 7 is a bottom plan view thereof.

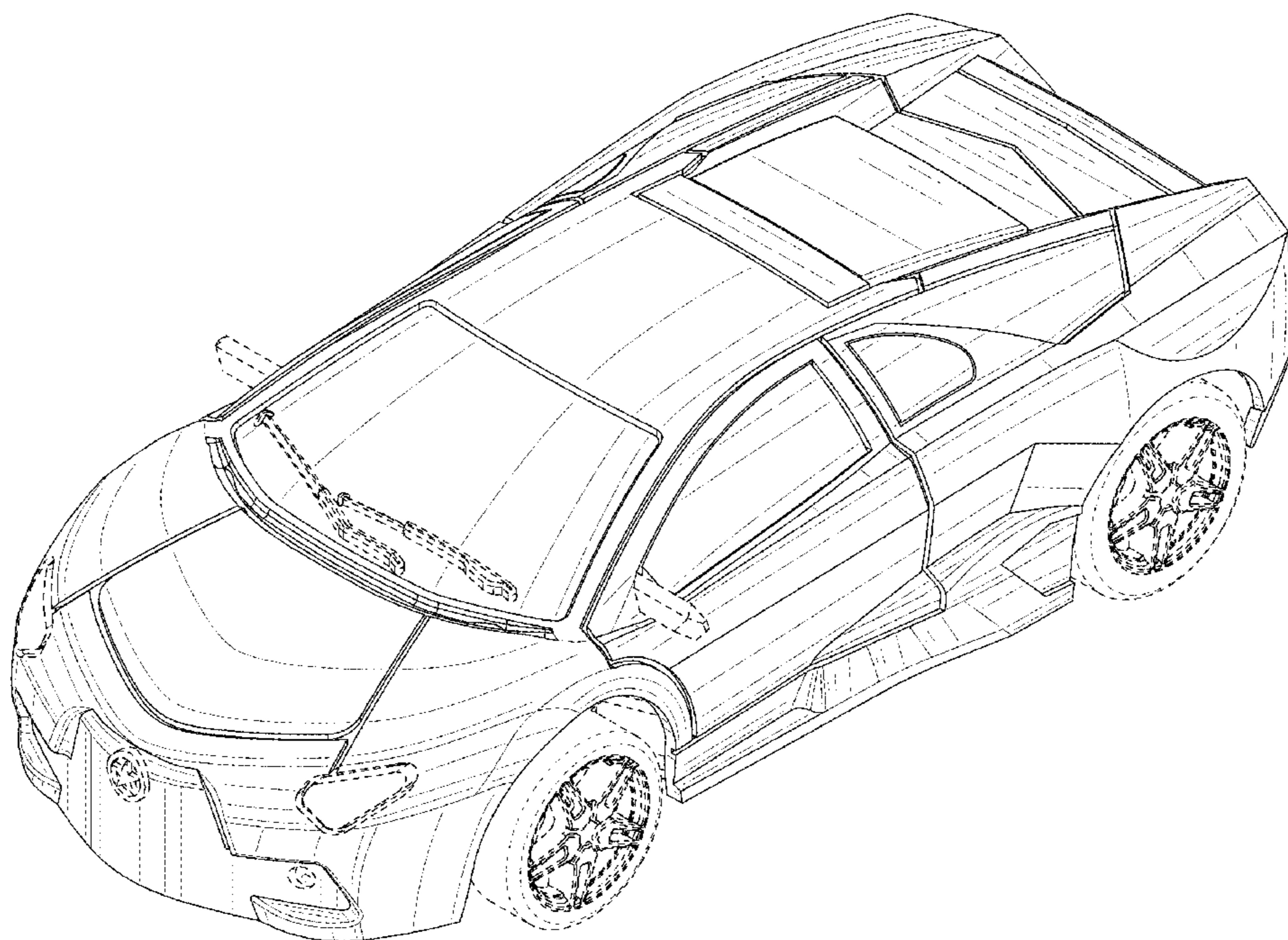
In the drawings, the broken lines depict environmental subject matter only and form no part of the claimed design.

**1 Claim, 7 Drawing Sheets**

(56) **References Cited**

**U.S. PATENT DOCUMENTS**

- D455,102 S \* 4/2002 Crijns ..... D12/92
- D469,387 S \* 1/2003 Ramaciotti ..... D12/88
- D491,843 S \* 6/2004 Giugiaro ..... D12/88
- D498,707 S \* 11/2004 Desmond ..... D12/92



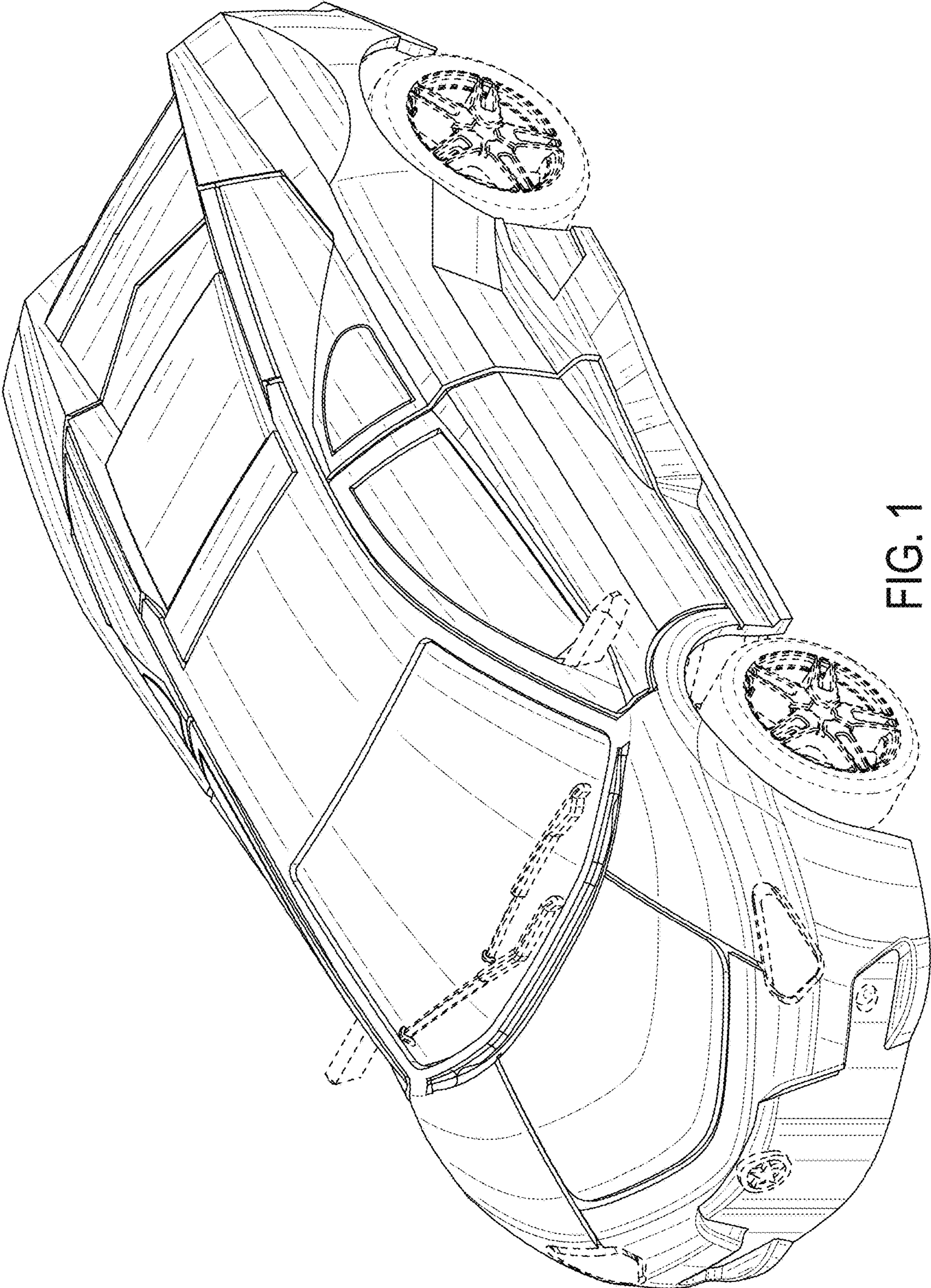


FIG. 1

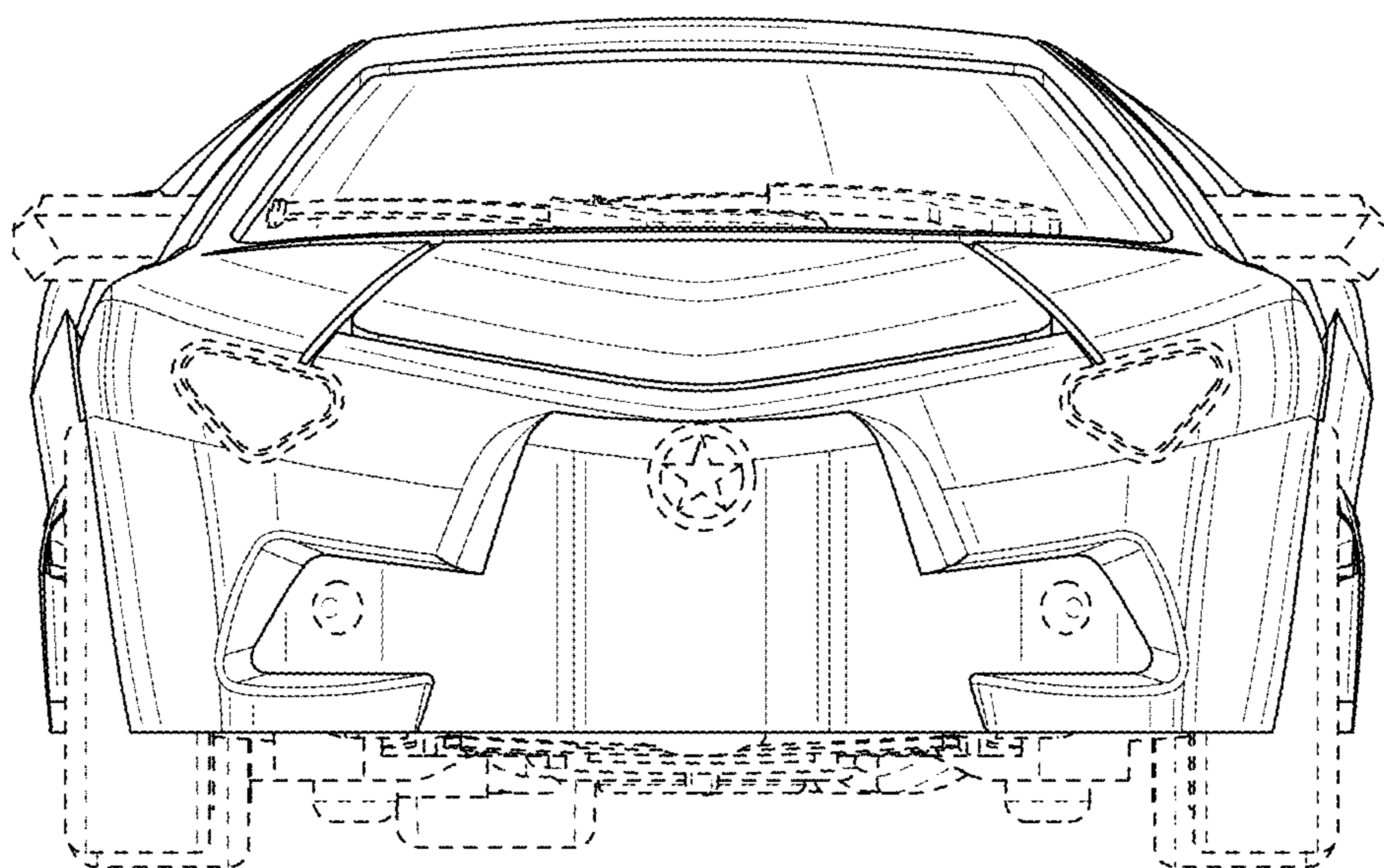


FIG. 2

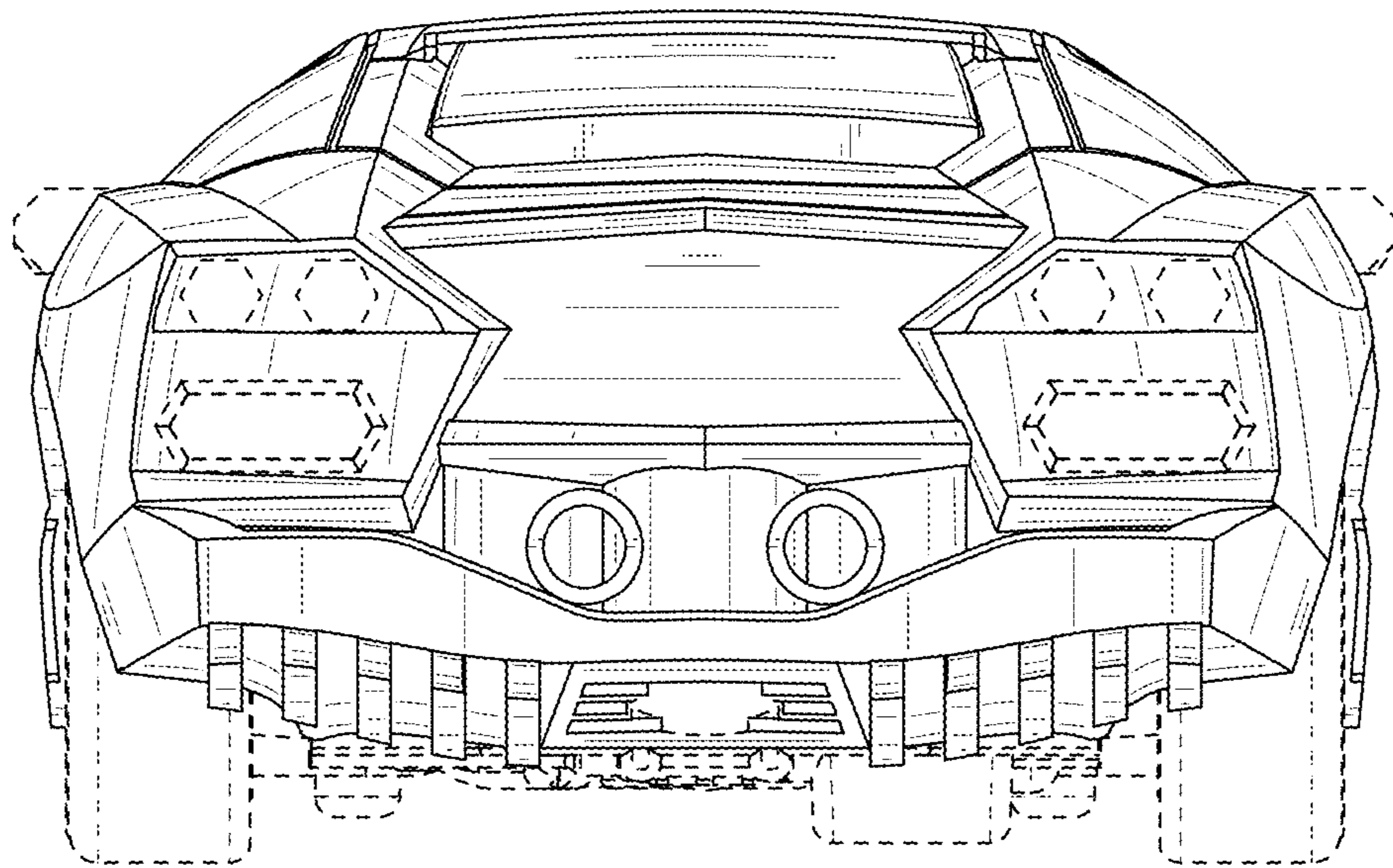


FIG. 3

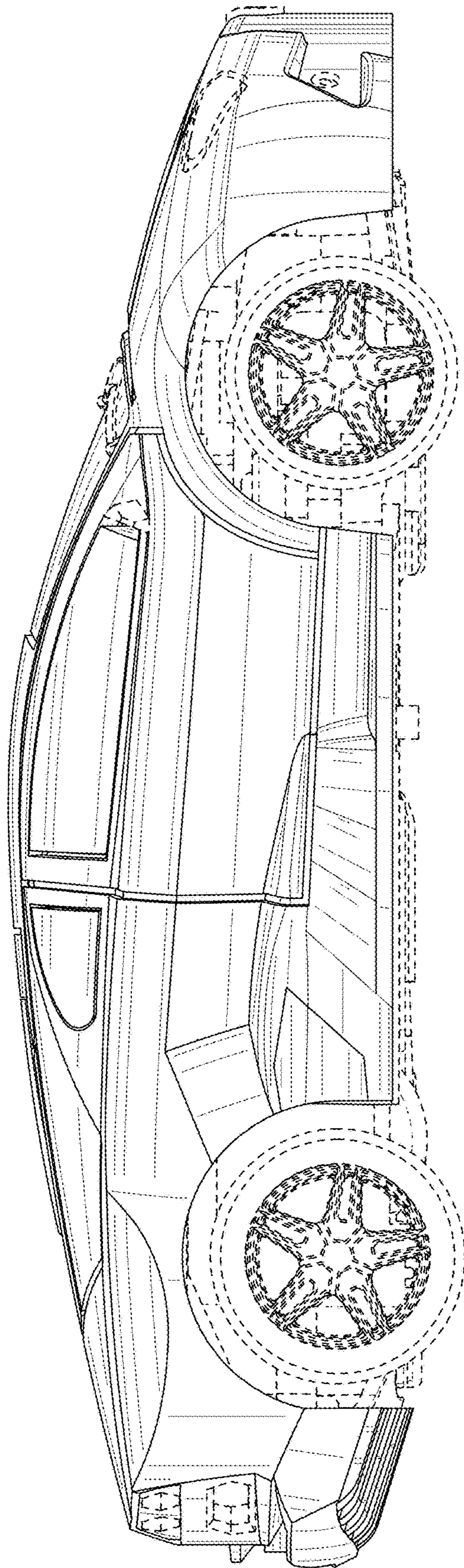


FIG. 4

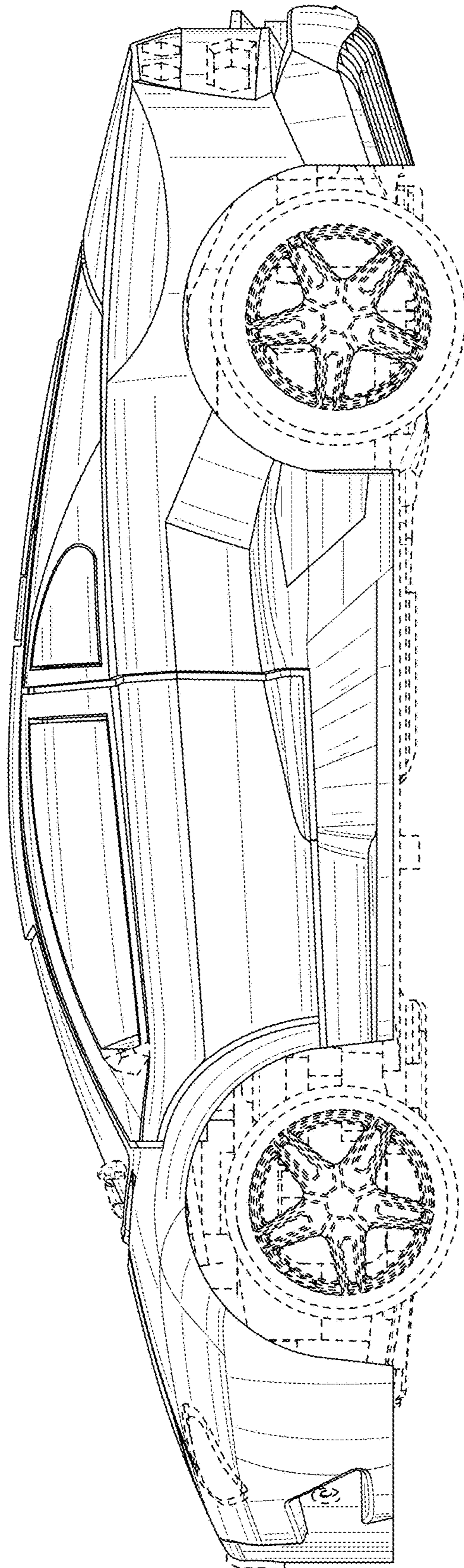


FIG. 5

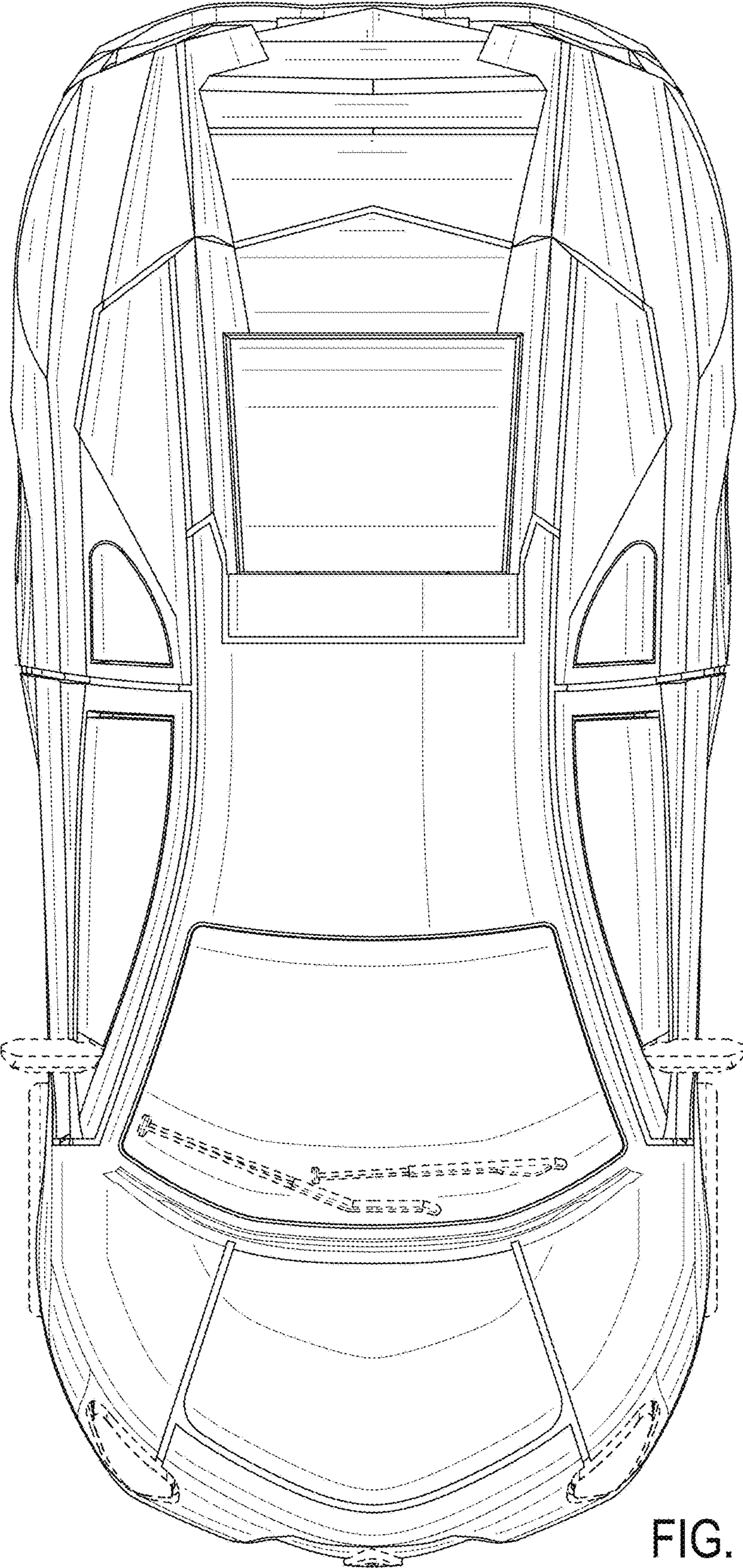


FIG. 6

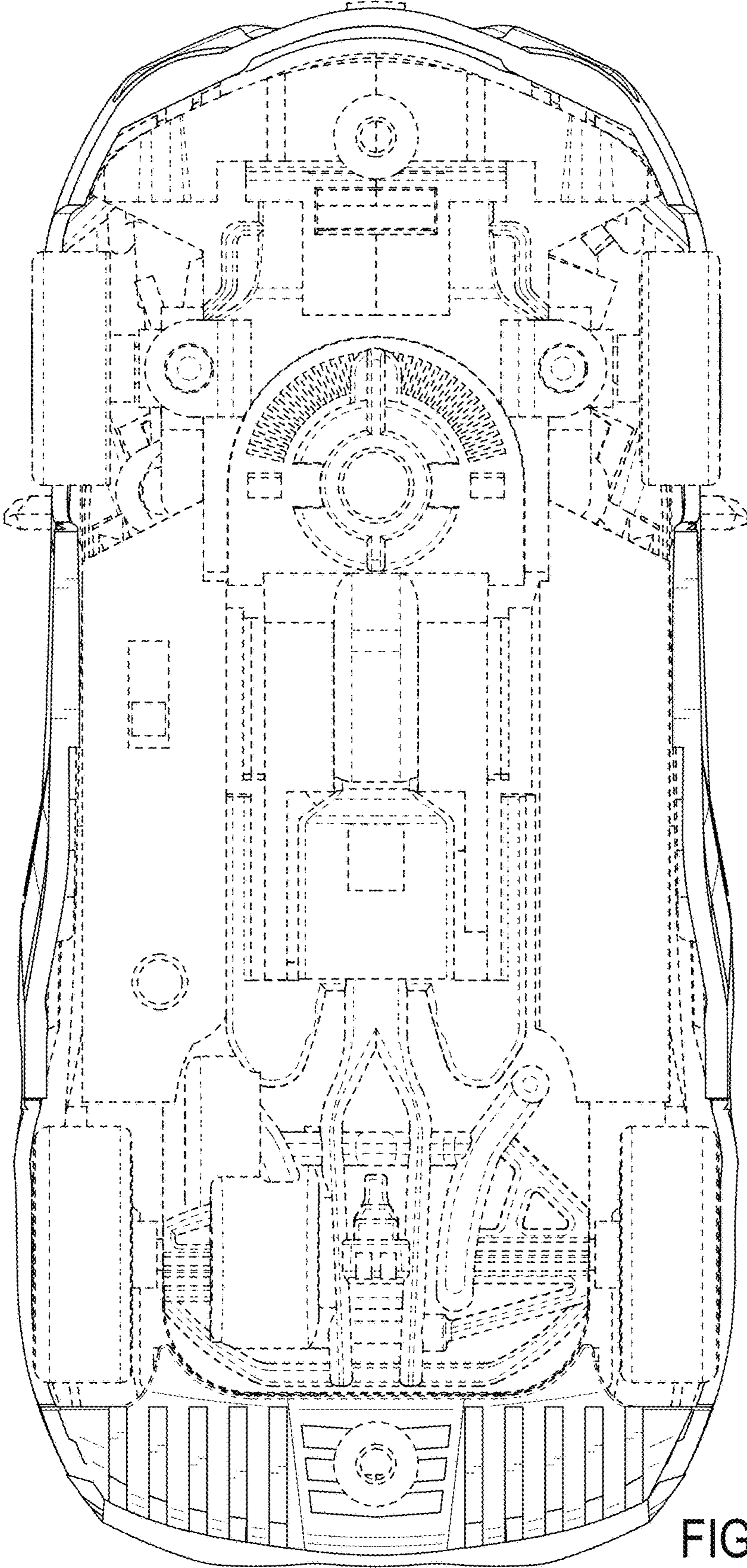


FIG. 7