



US00D832935S

(12) **United States Design Patent** (10) **Patent No.:** **US D832,935 S**
Wakim (45) **Date of Patent:** **** Nov. 6, 2018**

- (54) **TOY BUILDING BRICK**
- (71) Applicant: **Brian's Toys Inc.**, Fountain City, WI (US)
- (72) Inventor: **Marc-Henry Wakim**, Goodview, MN (US)
- (**) Term: **15 Years**
- (21) Appl. No.: **29/630,888**
- (22) Filed: **Dec. 22, 2017**
- (51) **LOC (11) Cl.** **21-01**
- (52) **U.S. Cl.**
USPC **D21/499**
- (58) **Field of Classification Search**
USPC D21/333, 373, 386, 389, 404, 468, 470,
D21/471, 475, 484-505; D3/304, 314;
D24/101; D9/640
CPC A63H 33/04; A63H 33/06; A63H 33/062;
A63H 33/08; A63H 33/088; A63F 9/12;
A63F 9/1224
See application file for complete search history.

(56) **References Cited**

U.S. PATENT DOCUMENTS

D296,342 S *	6/1988	Knudsen	D21/499
D336,666 S *	6/1993	Knudsen	D21/501
D343,427 S *	1/1994	Sher	446/128
D413,636 S *	9/1999	Laserna Fernandez	D21/499
D512,108 S *	11/2005	Lin	D21/499
7,347,028 B1 *	3/2008	Bin-Nun	A63H 33/086 446/112

D614,248 S *	4/2010	Pedersen	D21/499
D630,685 S *	1/2011	Bodin	D21/499
D702,774 S *	4/2014	Wizenberg	D21/499
D741,414 S *	10/2015	Lu	D21/499
D760,324 S *	6/2016	Akimoto	D21/499
D765,189 S *	8/2016	Kiribuchi	D21/499
D776,205 S *	1/2017	Facey	D21/499
D806,179 S *	12/2017	Simonds	D21/499
D806,180 S *	12/2017	Simonds	D21/499
D806,804 S *	1/2018	Simonds	D21/499
2005/0191932 A1 *	9/2005	Lin	A63H 33/086 446/85

* cited by examiner

Primary Examiner — Cynthia M. Chin

(57) **CLAIM**

The ornamental design for a toy building brick, as shown and described.

DESCRIPTION

FIG. 1 is a top perspective view of a toy building brick showing my new design, a bottom perspective view being a mirror thereof;

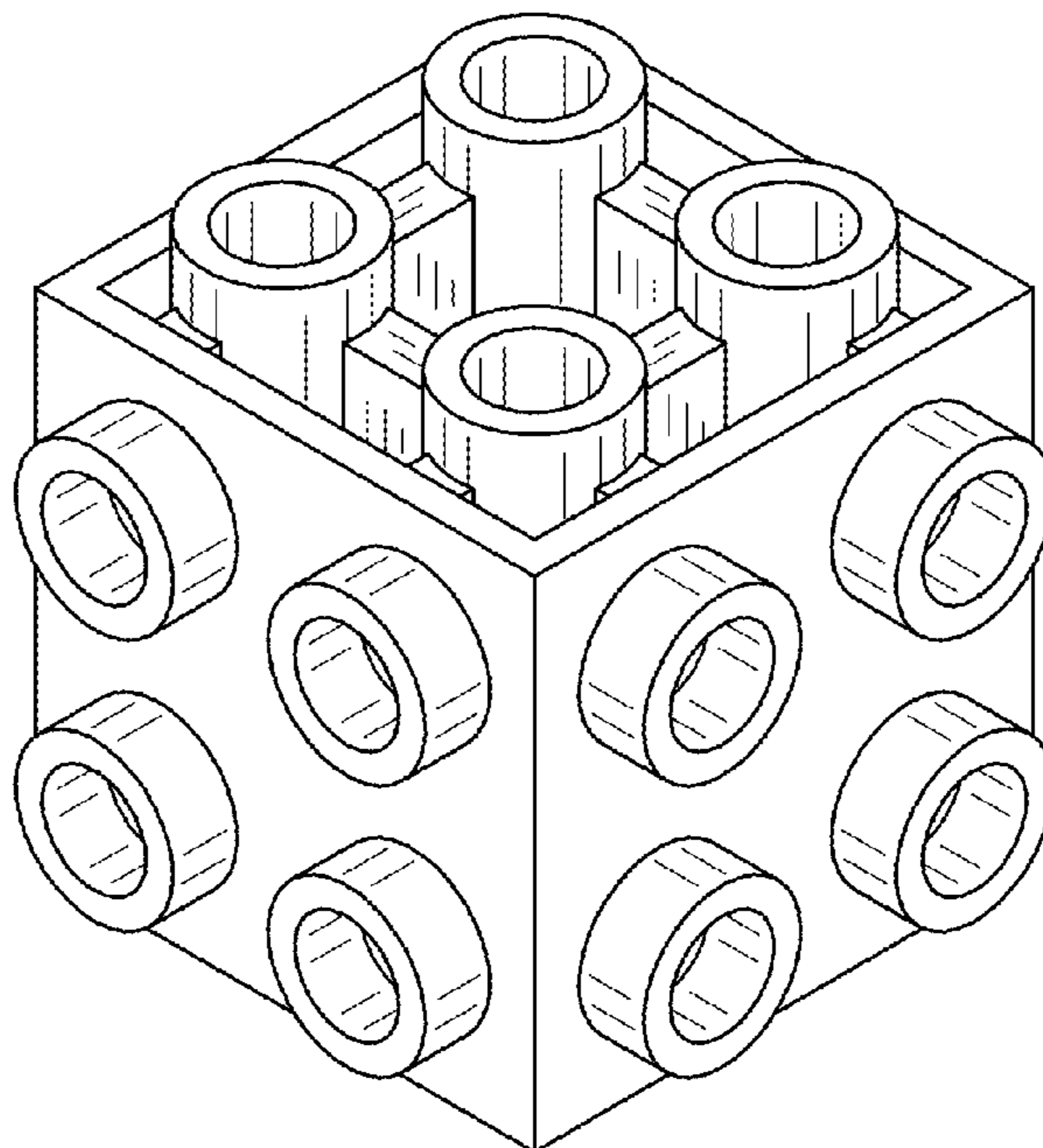
FIG. 2 is a top view of the toy building brick, a bottom view being a mirror image thereof;

FIG. 3 is a front side view of the toy building brick, a rear side view being a mirror thereof;

FIG. 4 is a cross-sectional view of the toy building brick taken along line 4-4 of FIG. 2 to illustrate a depth of openings therein; and,

FIG. 5 is a cross-sectional view of the toy building brick taken along line 5-5 of FIG. 2 to illustrate a depth of the openings therein.

1 Claim, 3 Drawing Sheets



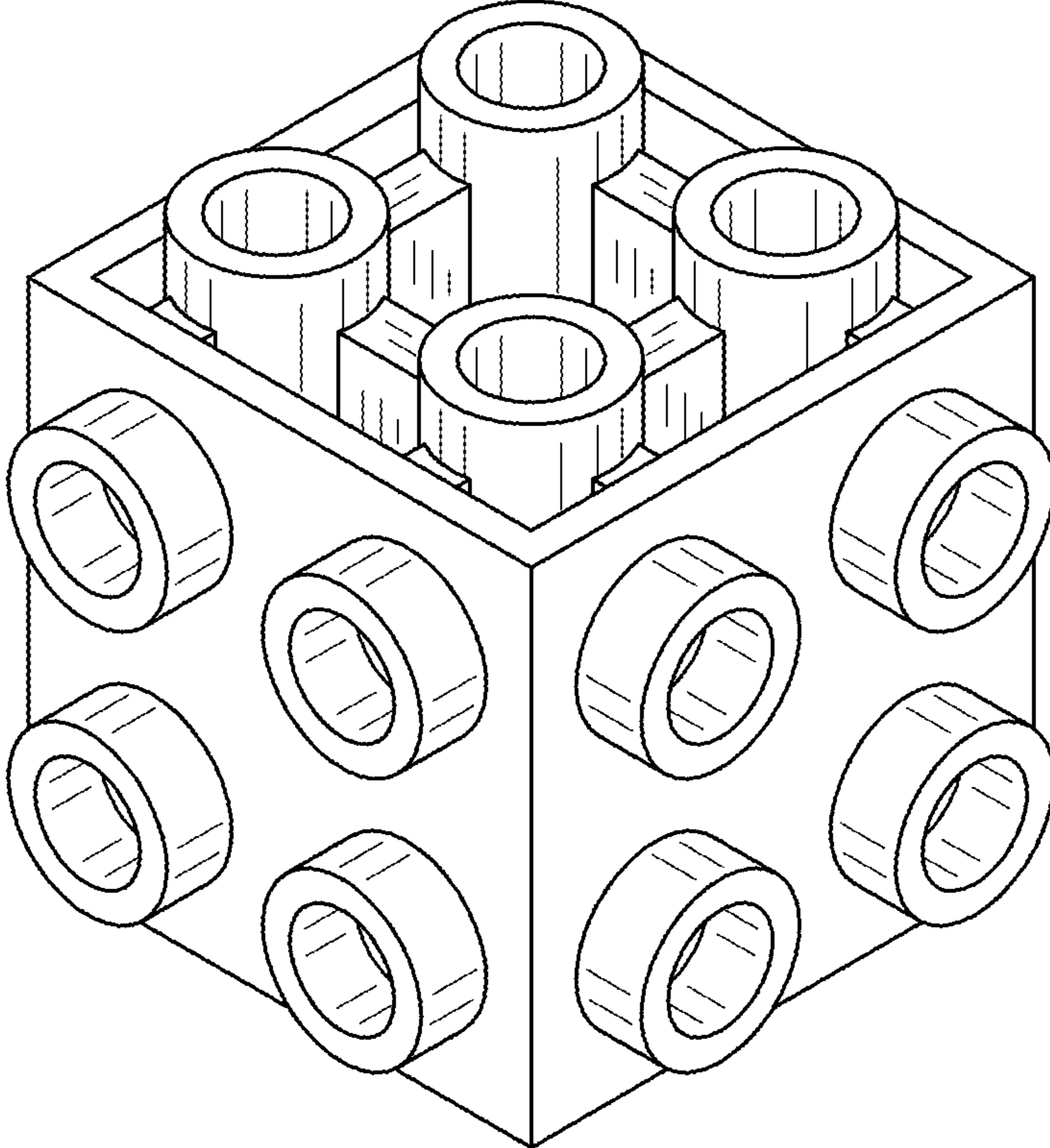


FIG. 1

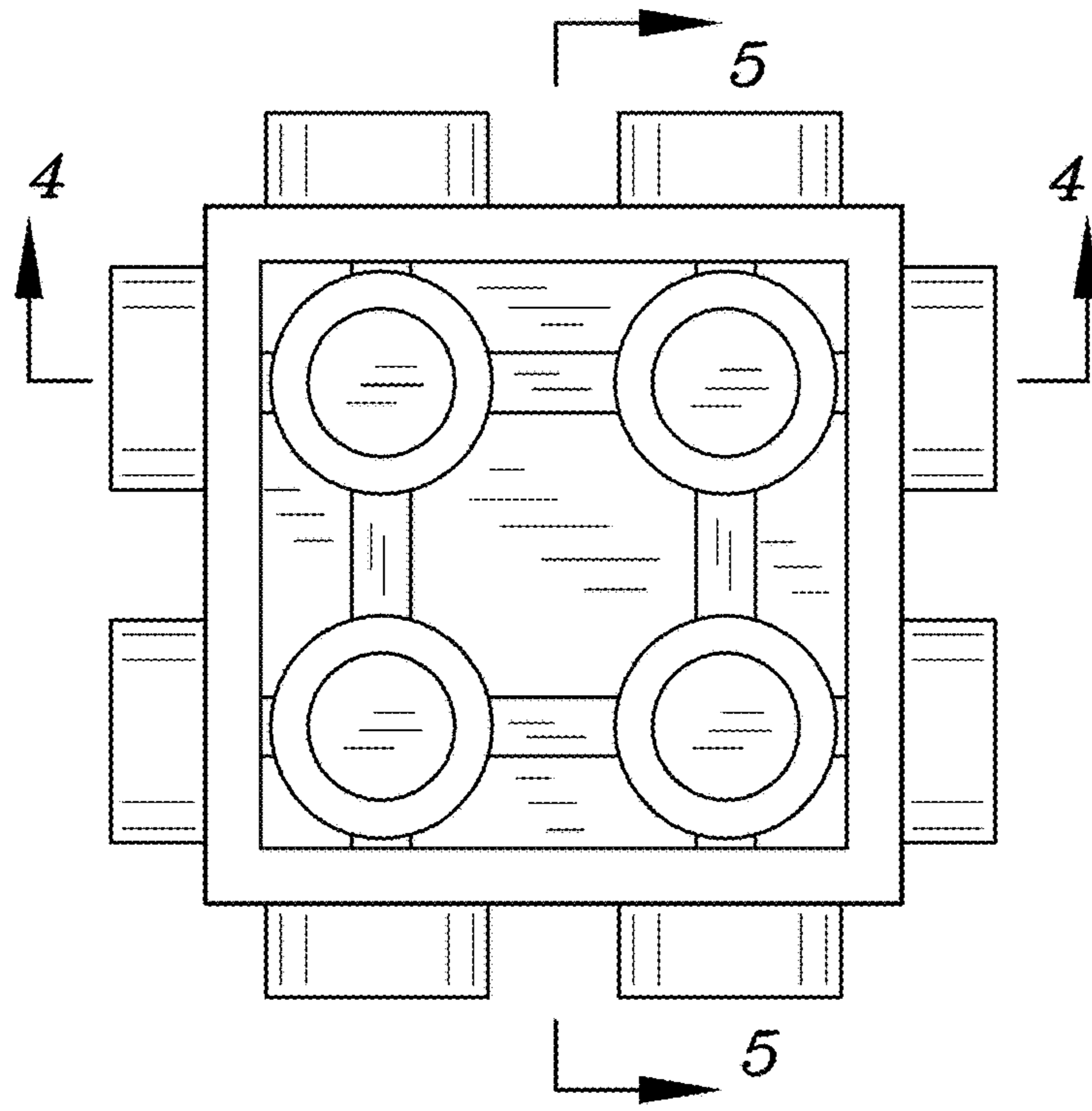


FIG. 2

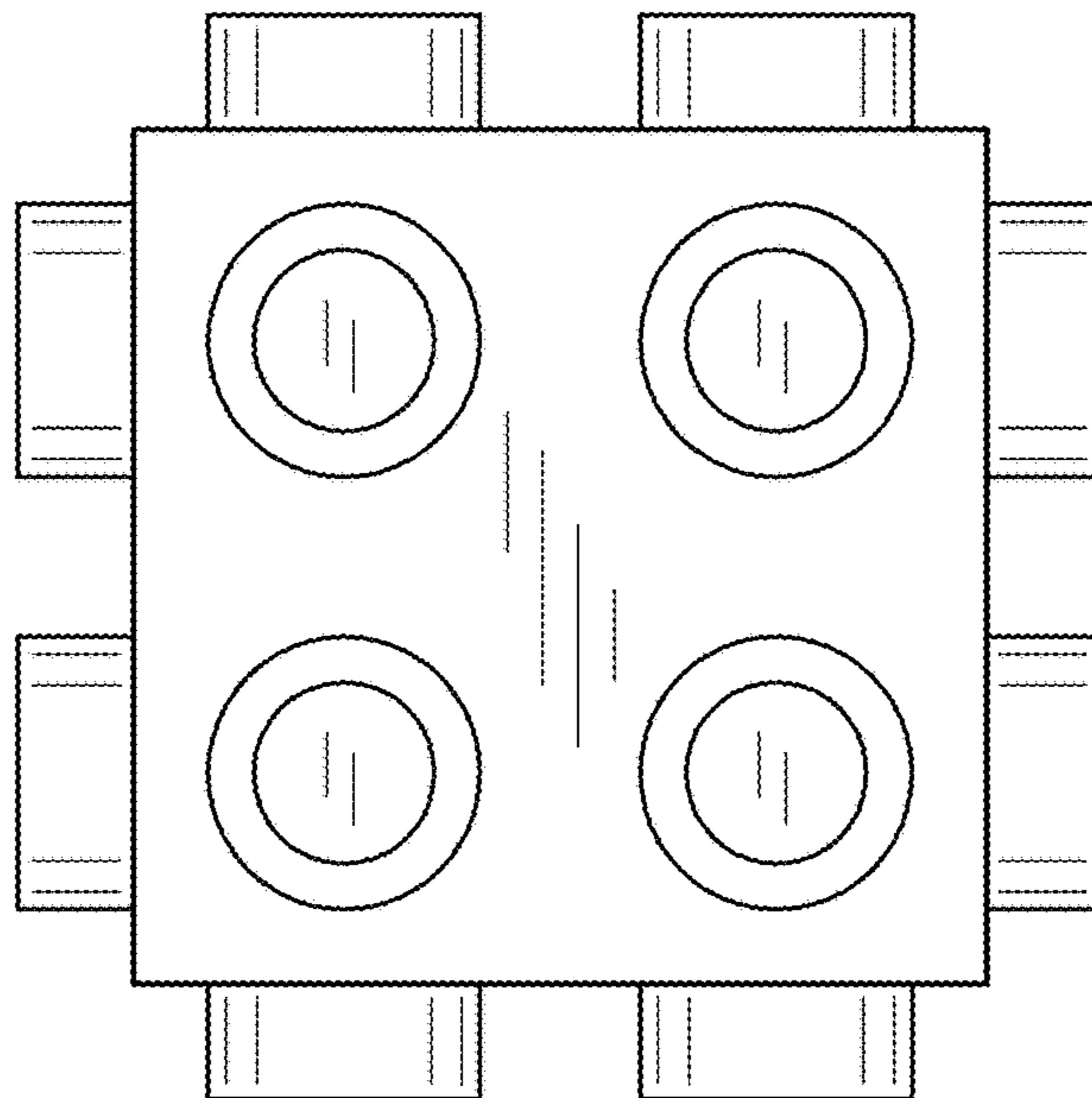


FIG. 3

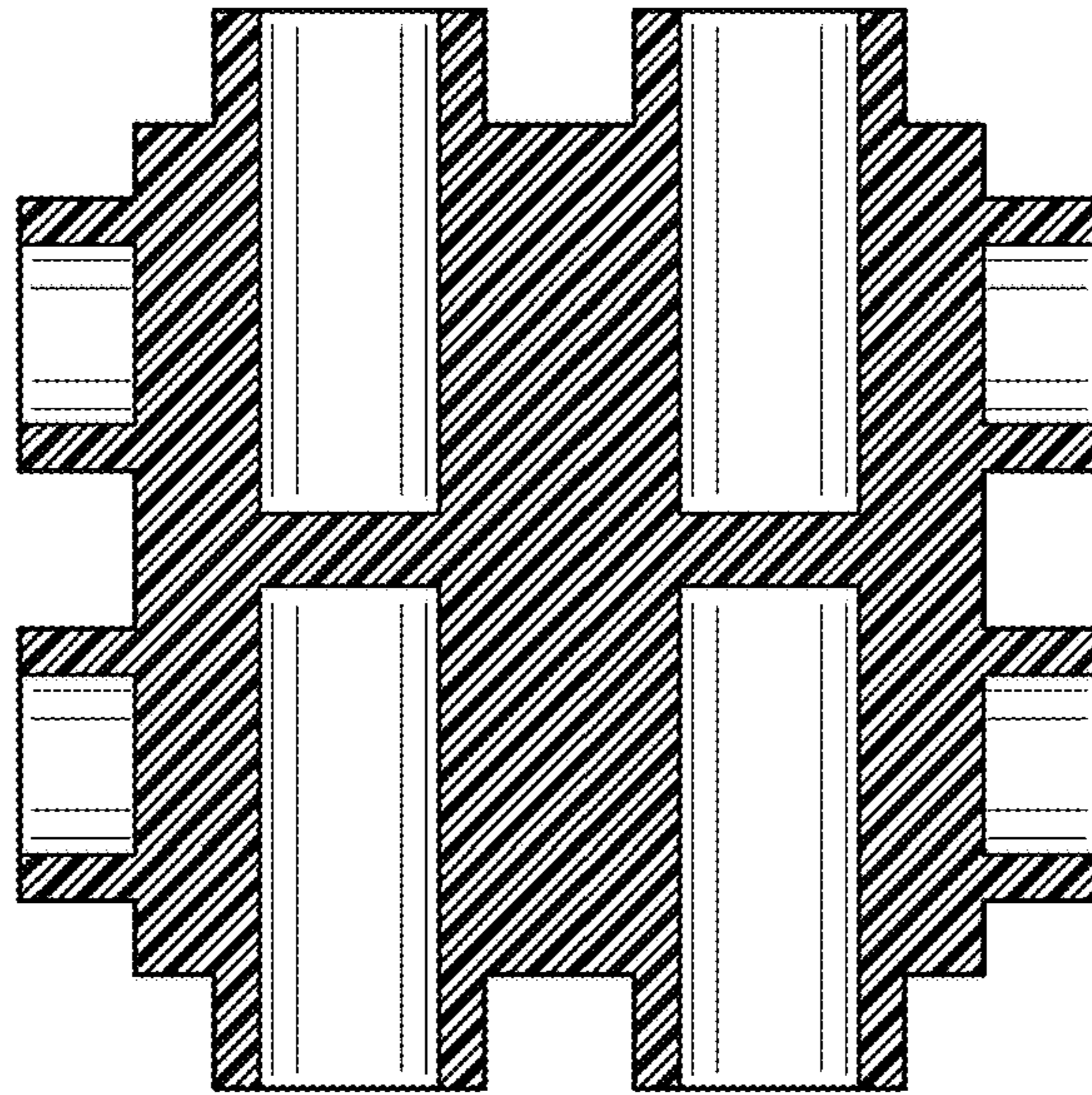


FIG. 4

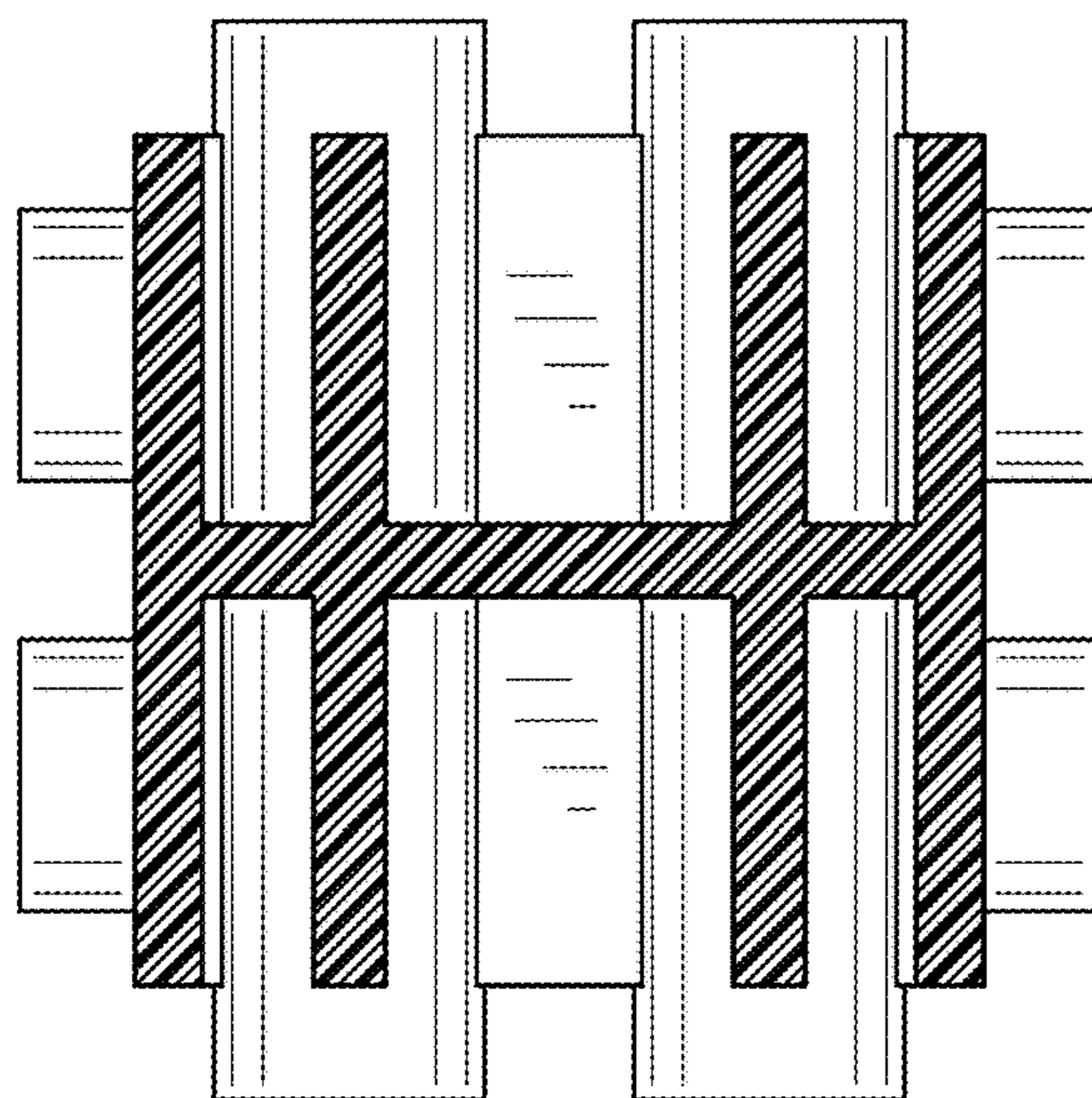


FIG. 5