



US00D832934S

(12) **United States Design Patent** (10) **Patent No.:** **US D832,934 S**  
**Kogure** (45) **Date of Patent:** **\*\* Nov. 6, 2018**

(54) **TOY BUILDING BLOCK**  
(71) Applicant: **People Co., Ltd.**, Chuo-ku, Tokyo (JP)  
(72) Inventor: **Masako Kogure**, Tokyo (JP)  
(73) Assignee: **PEOPLE CO., LTD.**, Chuo-ku, Tokyo  
(\*\*) Term: **15 Years**

D464,683 S \* 10/2002 Sorensen ..... D21/503  
D476,380 S \* 6/2003 Manville ..... D21/484  
D548,804 S \* 8/2007 D'Ambrosio ..... D21/492  
D757,862 S \* 5/2016 Ryaa ..... D21/497

\* cited by examiner

*Primary Examiner* — Cynthia M. Chin  
(74) *Attorney, Agent, or Firm* — Leydig Voit & Mayer

(21) Appl. No.: **29/625,101**  
(22) Filed: **Nov. 7, 2017**  
(51) **LOC (11) Cl.** ..... **21-01**  
(52) **U.S. Cl.**  
USPC ..... **D21/492; D21/503**  
(58) **Field of Classification Search**  
USPC ..... D21/386, 389, 404, 468, 470, 471,  
D21/484–505; 446/69, 85, 102–128;  
434/208, 259, 403; 273/153, 156, 160;  
D25/113–116, 118  
CPC ..... A63H 33/00; A63H 33/04; A63H 33/06;  
A63H 33/08; A63H 33/084; A63H  
33/086; A63H 33/088; A63H 33/10;  
A63H 33/105; A63H 33/108; A63H  
33/52; A63H 3/00; A63H 3/16; A63H  
3/46  
See application file for complete search history.

(57) **CLAIM**

The ornamental design for a toy building block, as shown and described.

**DESCRIPTION**

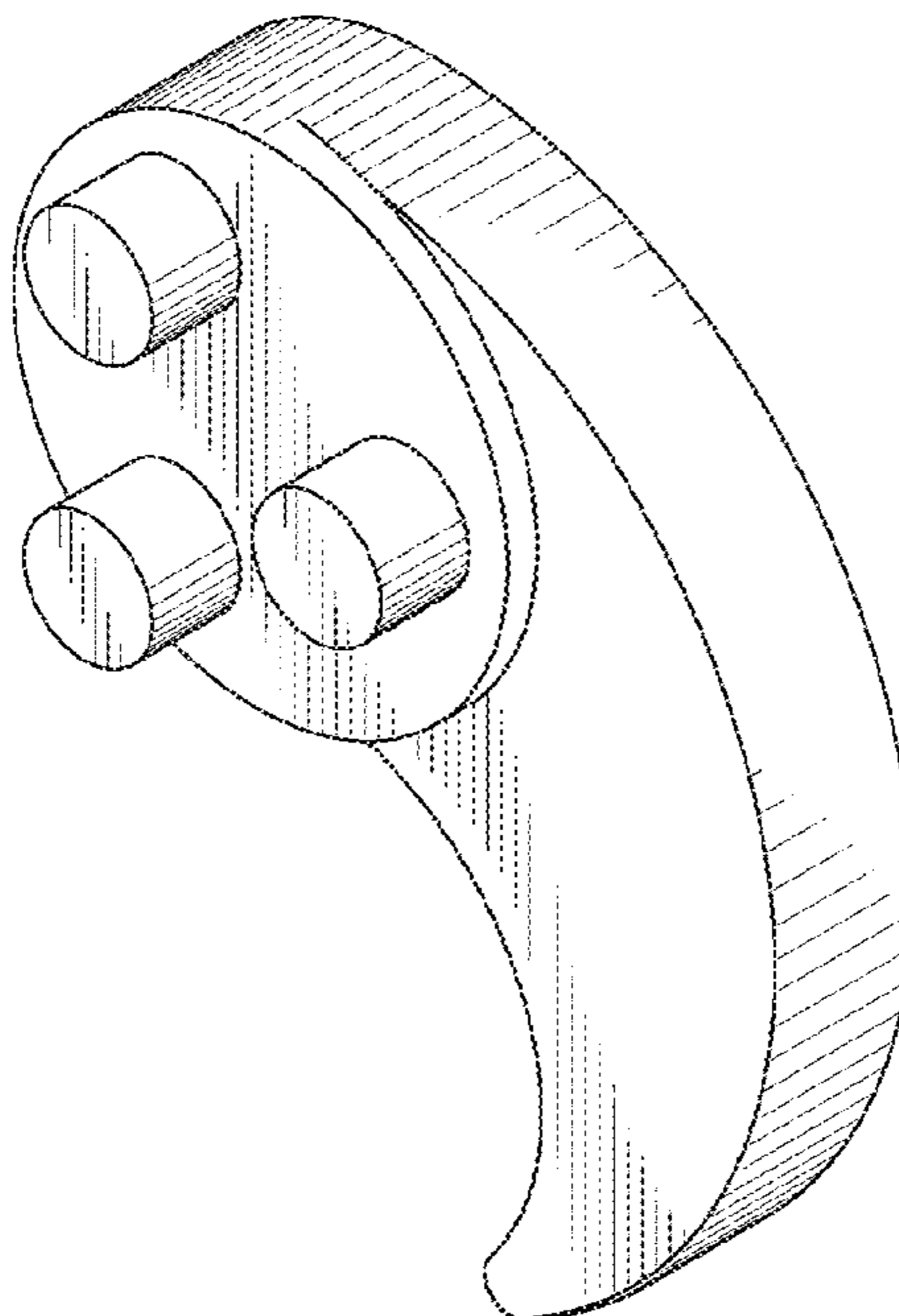
FIG. 1 is a front view of a toy building block of the present invention;  
FIG. 2 is a rear view thereof;  
FIG. 3 is a top plan view thereof;  
FIG. 4 is a bottom view thereof;  
FIG. 5 is a right side view thereof;  
FIG. 6 is a left side view thereof;  
FIG. 7 is a perspective view thereof; and,  
FIG. 8 is a cross-sectional view in the direction indicated by the arrows 8-8 of the toy building block of FIG. 1.  
The broken lines are for the purpose of illustrating portions of the article that form no part of the claim.

(56) **References Cited**

U.S. PATENT DOCUMENTS

D223,463 S \* 4/1972 Daenen ..... D21/503  
D464,381 S \* 10/2002 Sorensen ..... D21/503

**1 Claim, 8 Drawing Sheets**



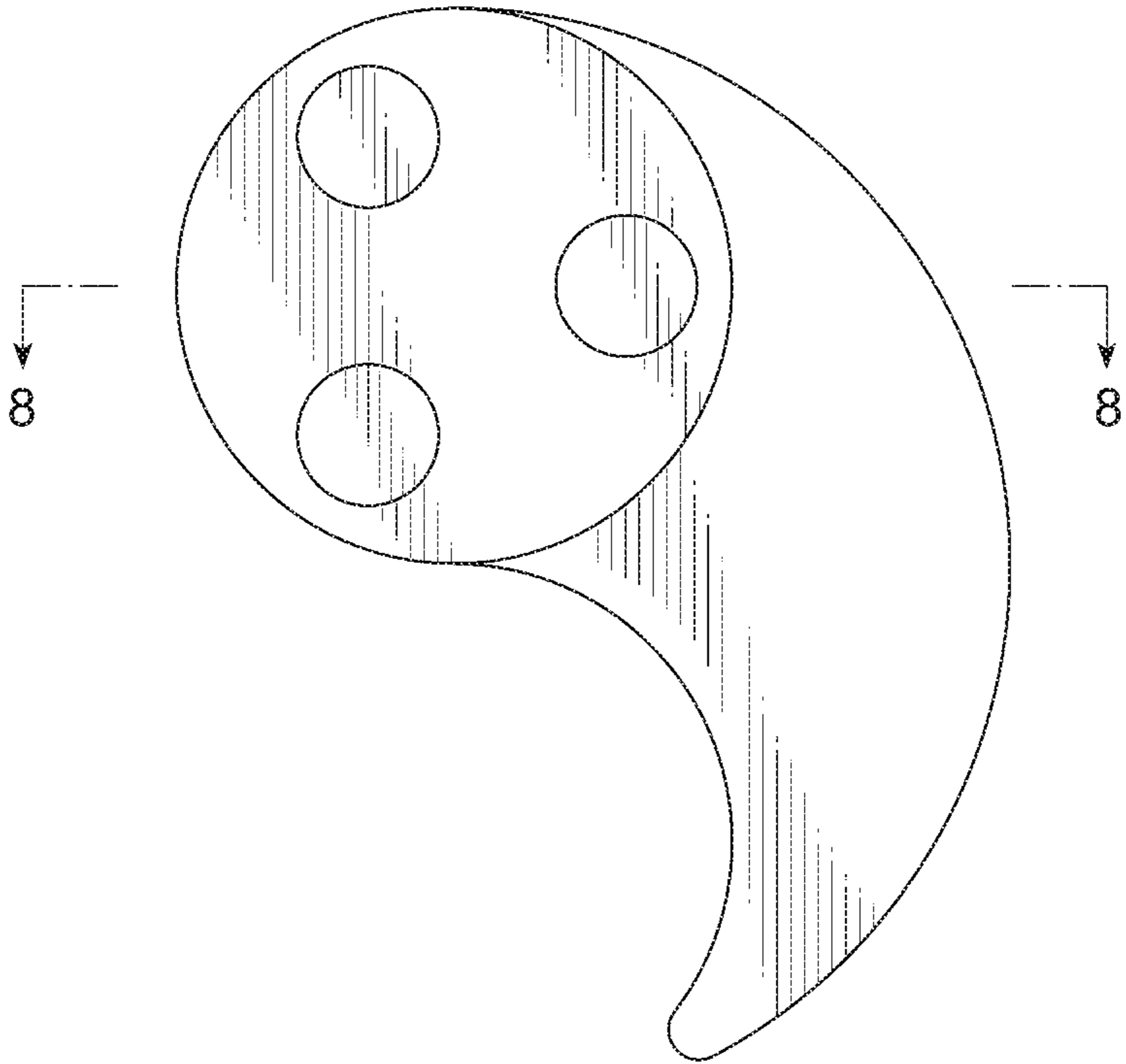


FIG. 1

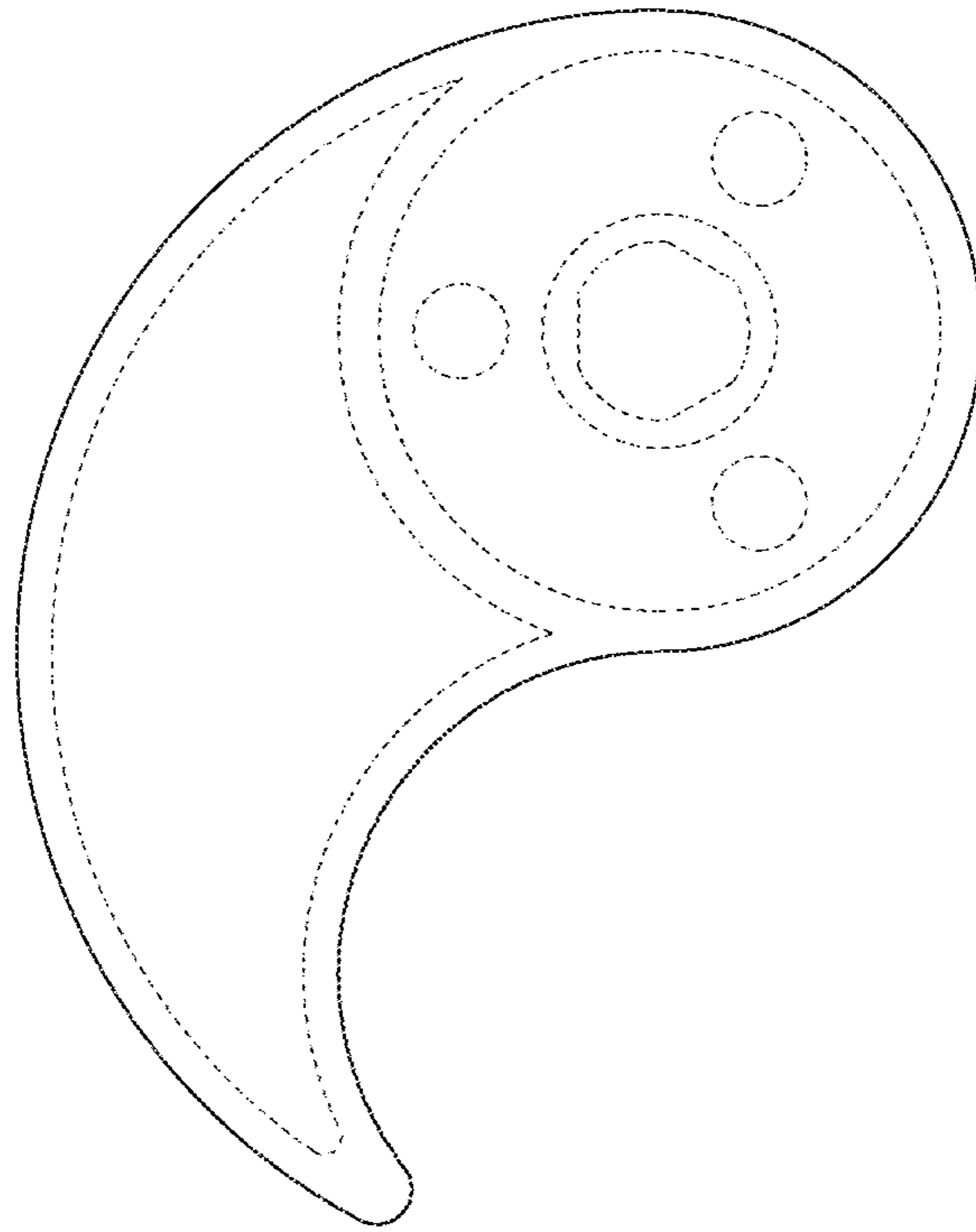


FIG. 2

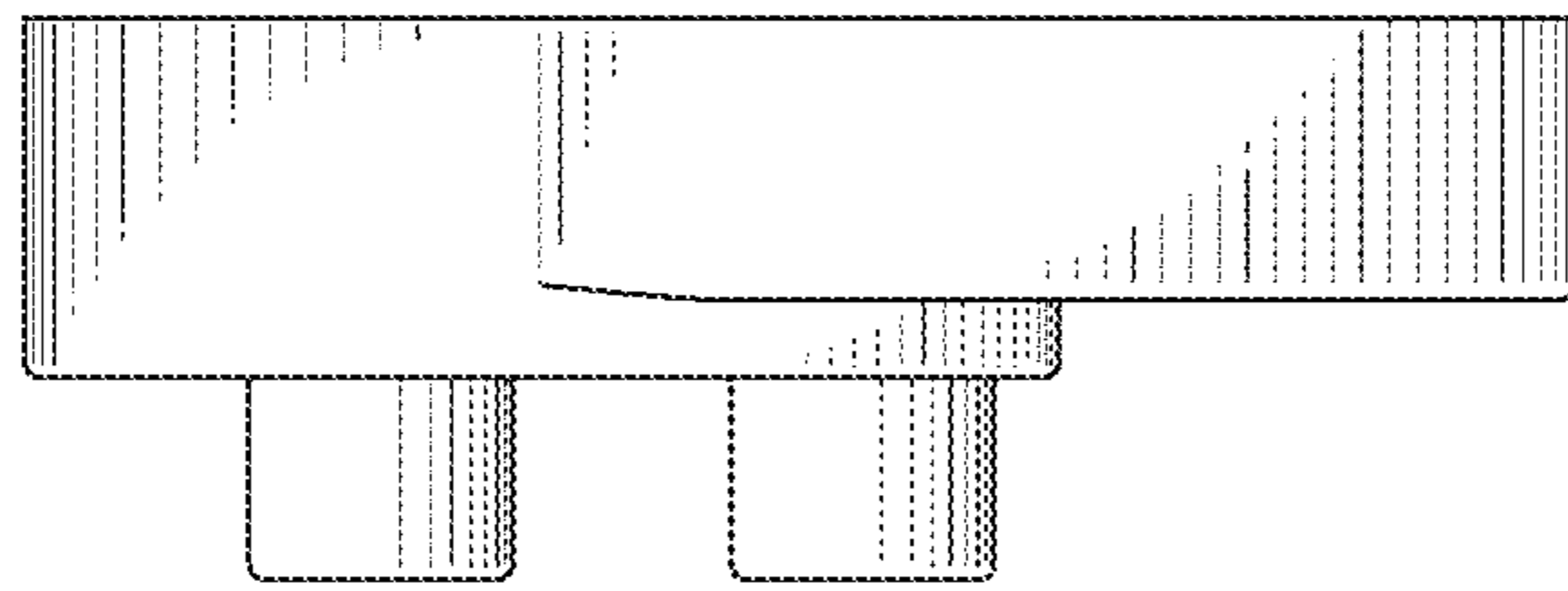


FIG. 3

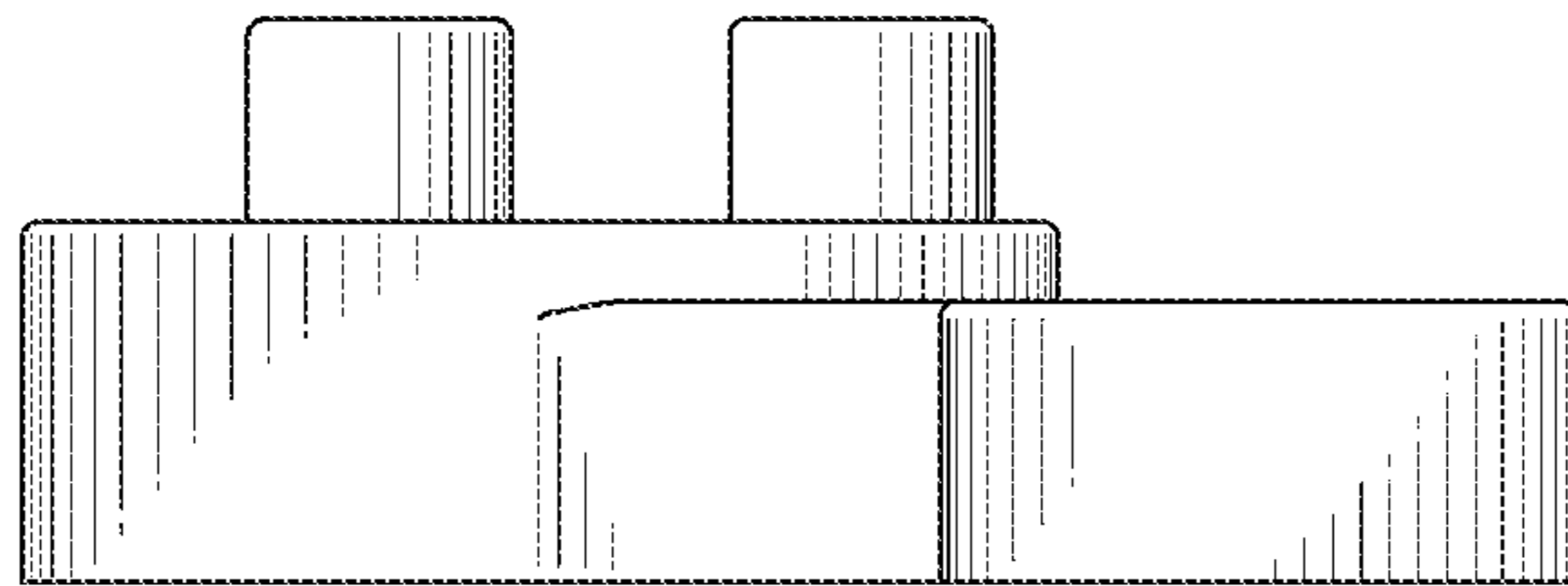


FIG. 4

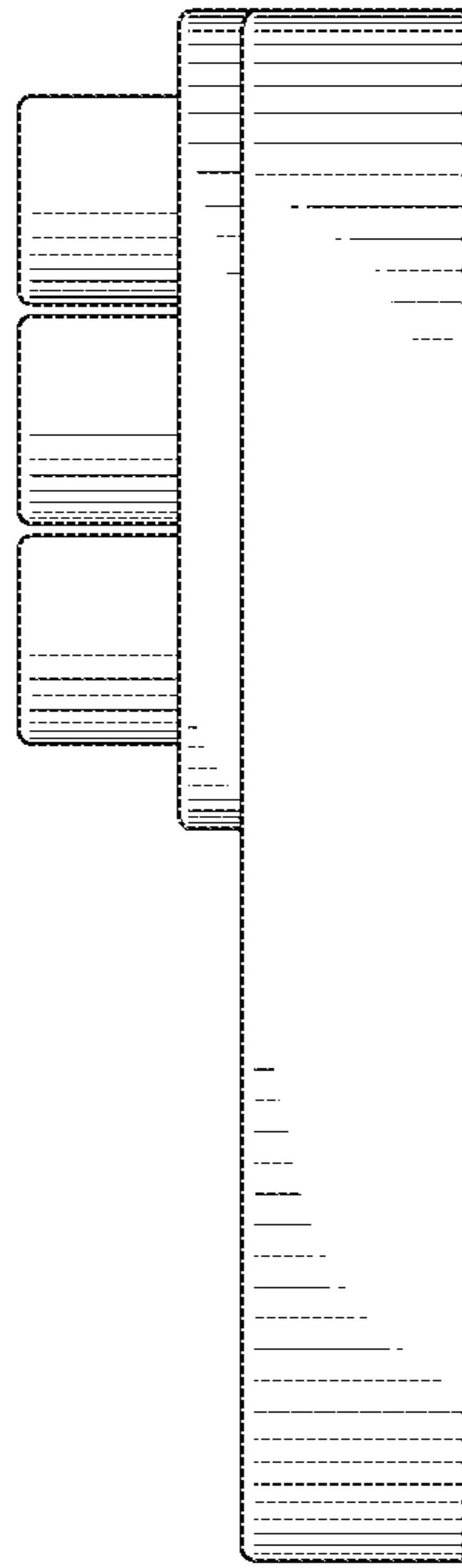


FIG. 5

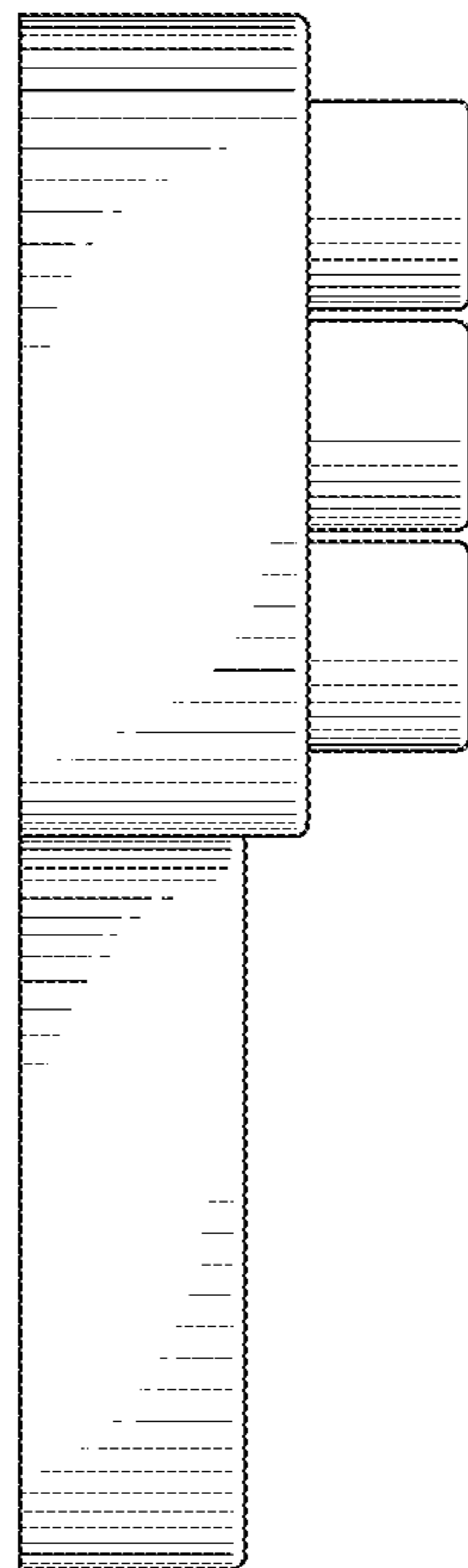


FIG. 6

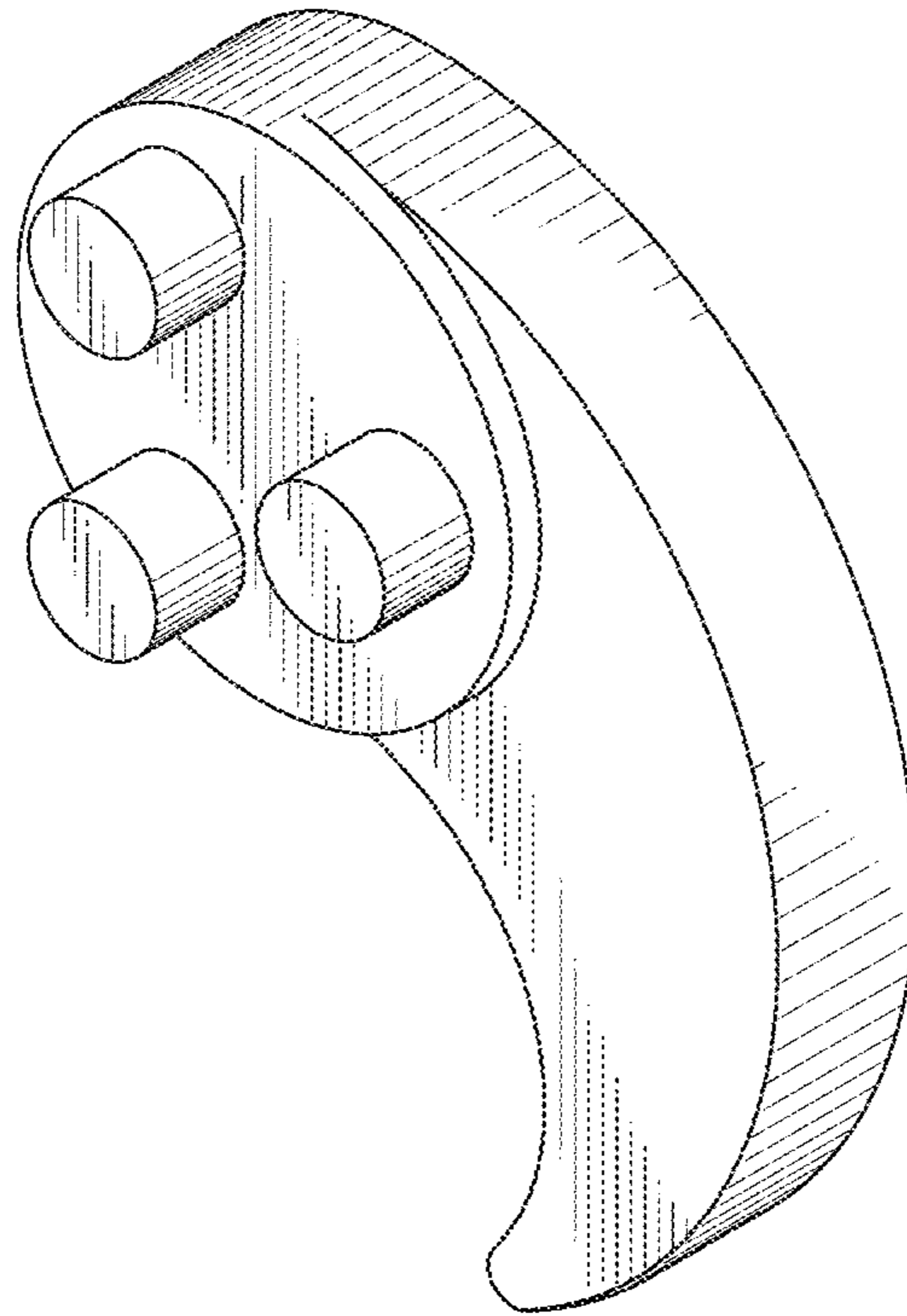


FIG. 7



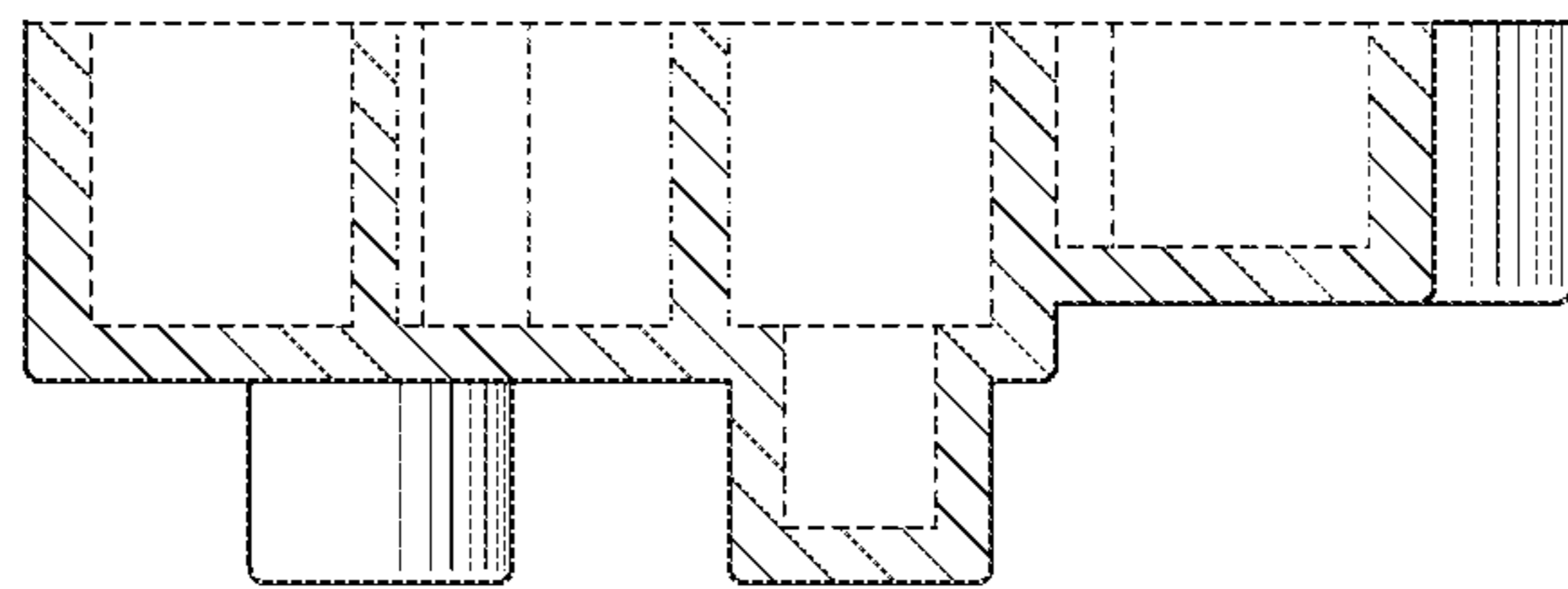


FIG. 8