



US00D832933S

(12) **United States Design Patent** (10) **Patent No.:** **US D832,933 S**
Maksimov (45) **Date of Patent:** **** Nov. 6, 2018**

(54) **CONSTRUCTION TOY**
(71) Applicant: **Sergey Maksimov, Kuldiga (LV)**
(72) Inventor: **Sergey Maksimov, Kuldiga (LV)**
(**) Term: **15 Years**
(21) Appl. No.: **29/623,061**
(22) Filed: **Oct. 23, 2017**
(51) **LOC (11) Cl.** **21-01**
(52) **U.S. Cl.**
USPC **D21/489**
(58) **Field of Classification Search**
USPC D21/478, 479, 480, 484–505; D6/582,
D6/592; D25/158
CPC A63G 33/08; A63G 33/082; A63G 33/84;
A63G 33/086; A63G 33/088; B32B
2471/04; B32B 3/30; A47G 27/0218;
A47G 27/0293
See application file for complete search history.

8,845,381 B2 * 9/2014 Ziegler A63H 33/08
446/108
9,481,493 B2 * 11/2016 Vantrease B65D 33/1625
9,522,342 B2 * 12/2016 Jazouli A63H 33/042
D810,465 S * 2/2018 Wah D6/592
9,980,591 B2 * 5/2018 Villano A47G 27/0218
2005/0287906 A1 * 12/2005 He A63H 33/082
446/109
2006/0127647 A1 * 6/2006 Thrush B32B 3/02
428/172
2007/0059481 A1 * 3/2007 Lin E04F 15/02
428/80
2007/0199257 A1 * 8/2007 Thrush E04F 15/10
52/180
2012/0009377 A1 * 1/2012 Dodge, III D06N 7/0084
428/90

* cited by examiner

Primary Examiner — Cynthia M. Chin
(74) *Attorney, Agent, or Firm* — PatShegen IP; Eva
Taksel

(57) **CLAIM**

The ornamental design for a construction toy, as shown and described.

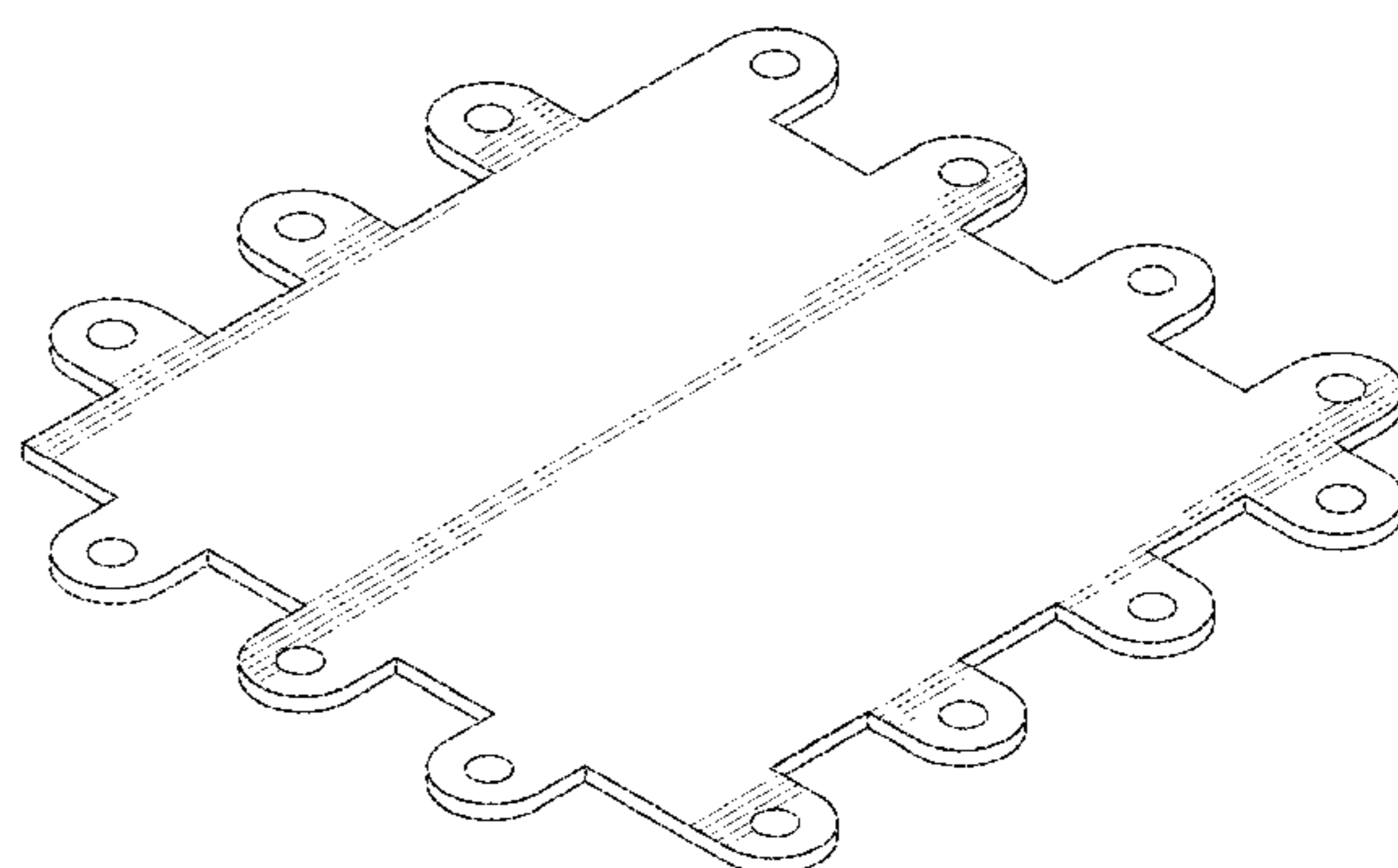
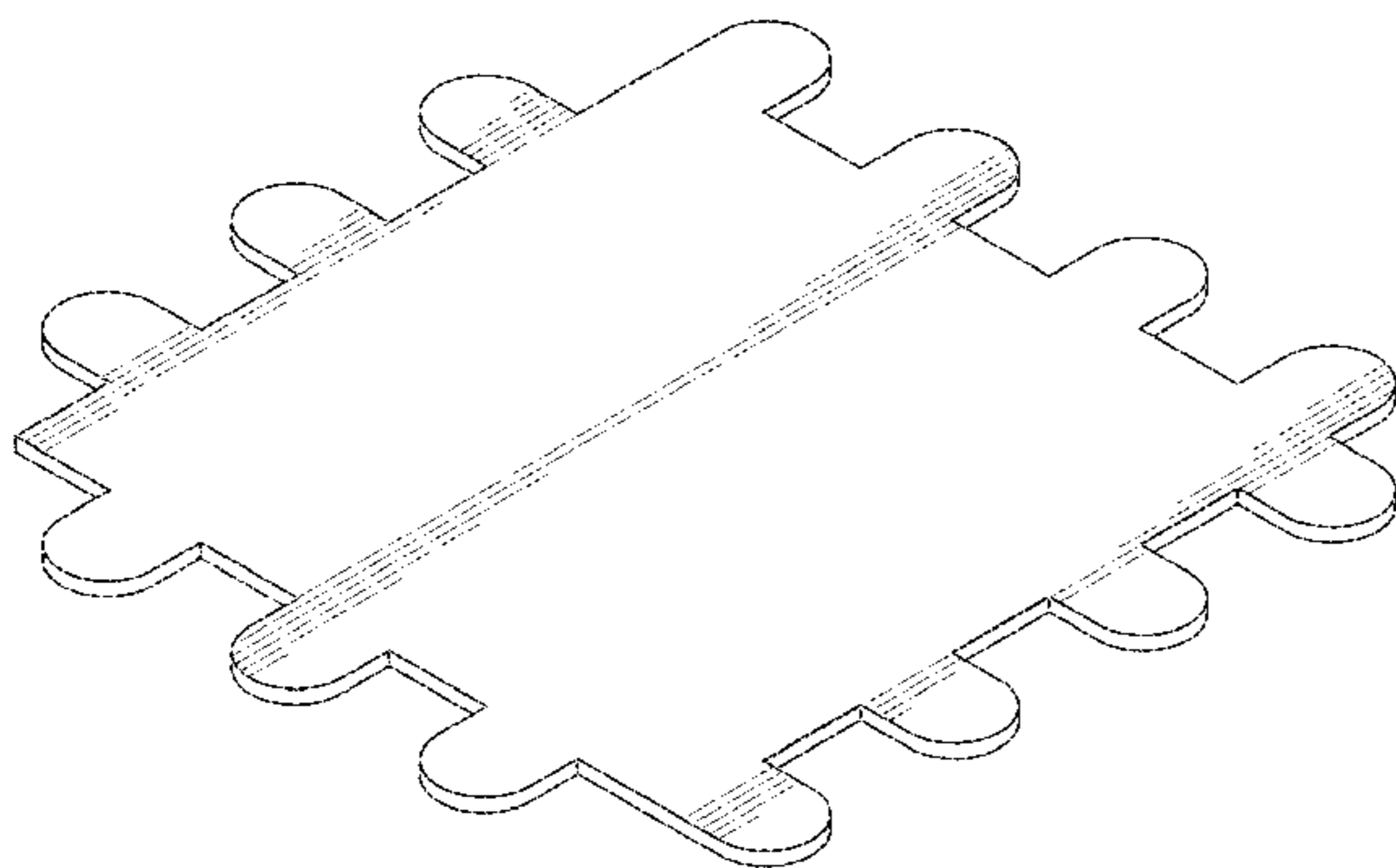
DESCRIPTION

FIG. 1 is a top plan view of a first embodiment of a new design for a construction toy without holes;
FIG. 2 is a first side view of the construction toy design of FIG. 1;
FIG. 3 is a second side view of the construction toy design of FIG. 1;
FIG. 4 is a top perspective view of the construction toy design of FIG. 1;
FIG. 5 is a top plan view of a second embodiment of a new design for a construction toy with holes; and,
FIG. 6 is a top perspective view of the construction toy of FIG. 5.

1 Claim, 4 Drawing Sheets

(56) **References Cited**
U.S. PATENT DOCUMENTS

D35,436 S * 12/1901 Sierer 52/590.1
1,894,061 A * 1/1933 Sanders A63H 33/084
446/114
D163,085 S * 5/1951 Bishop 434/205
D285,587 S * 9/1986 Murdough, Jr. D21/491
D296,344 S * 6/1988 Olsen D21/491
4,874,341 A * 10/1989 Ziegler A63H 33/08
446/109
D339,265 S * 9/1993 Claesson D21/489
5,273,477 A * 12/1993 Adams, Jr. A63H 33/08
446/108
D571,867 S * 6/2008 Gasparotto D21/489
D645,912 S * 9/2011 Hardstaff D21/502
D674,516 S * 1/2013 Kuo D25/158
D700,457 S * 3/2014 Meyer D6/592



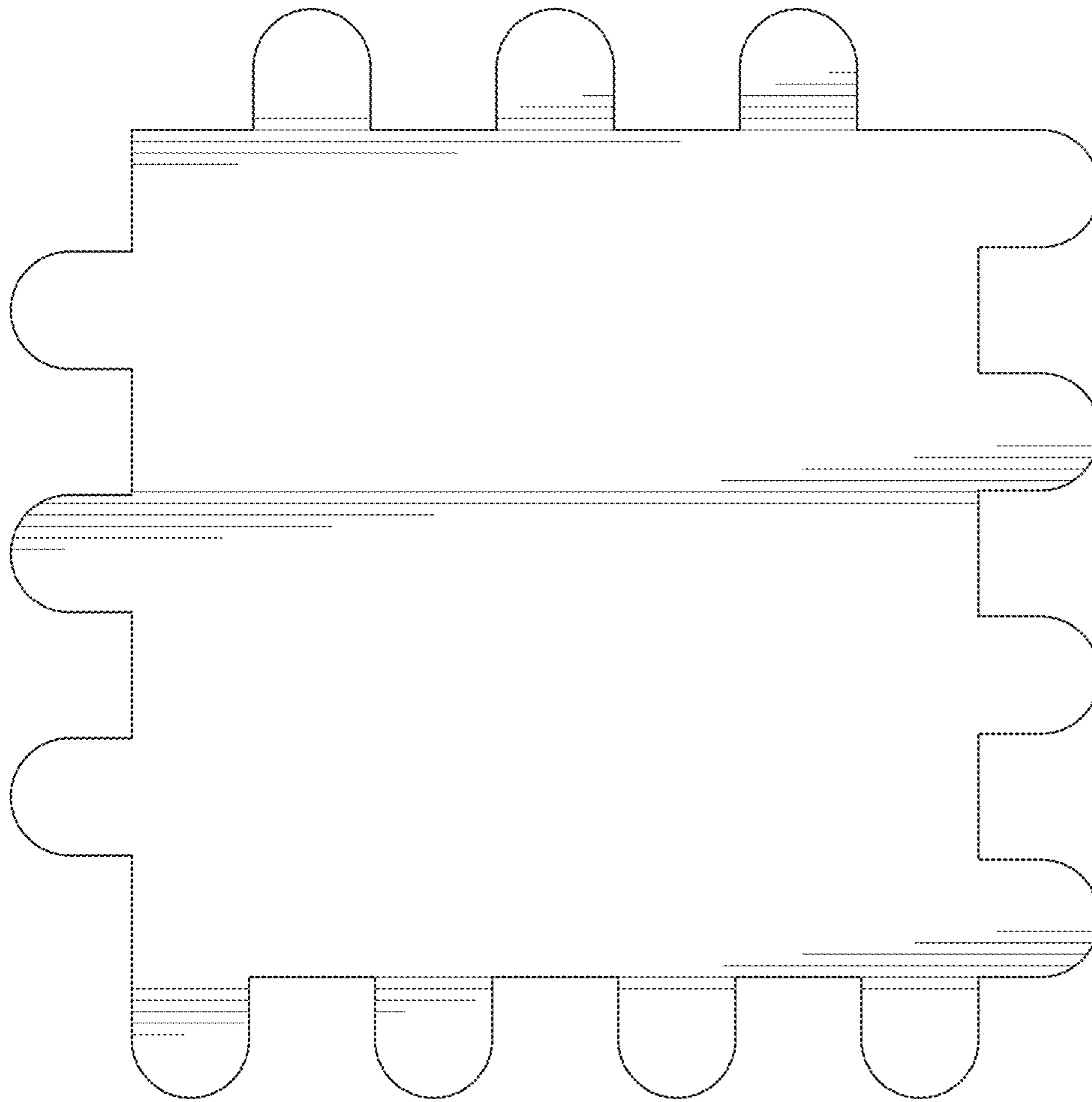


FIG. 1

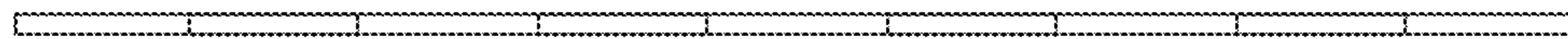


FIG. 2



FIG. 3

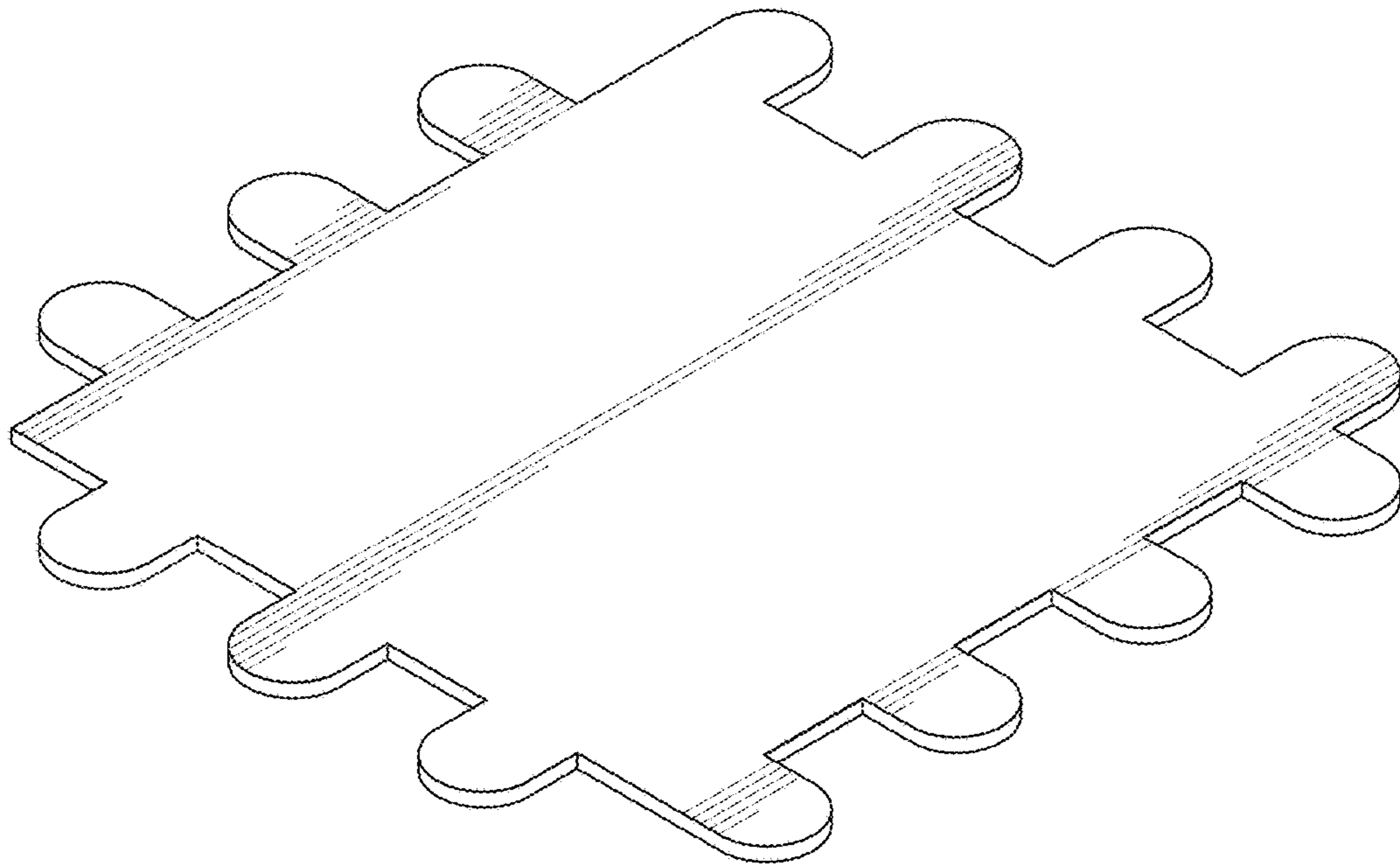


FIG. 4

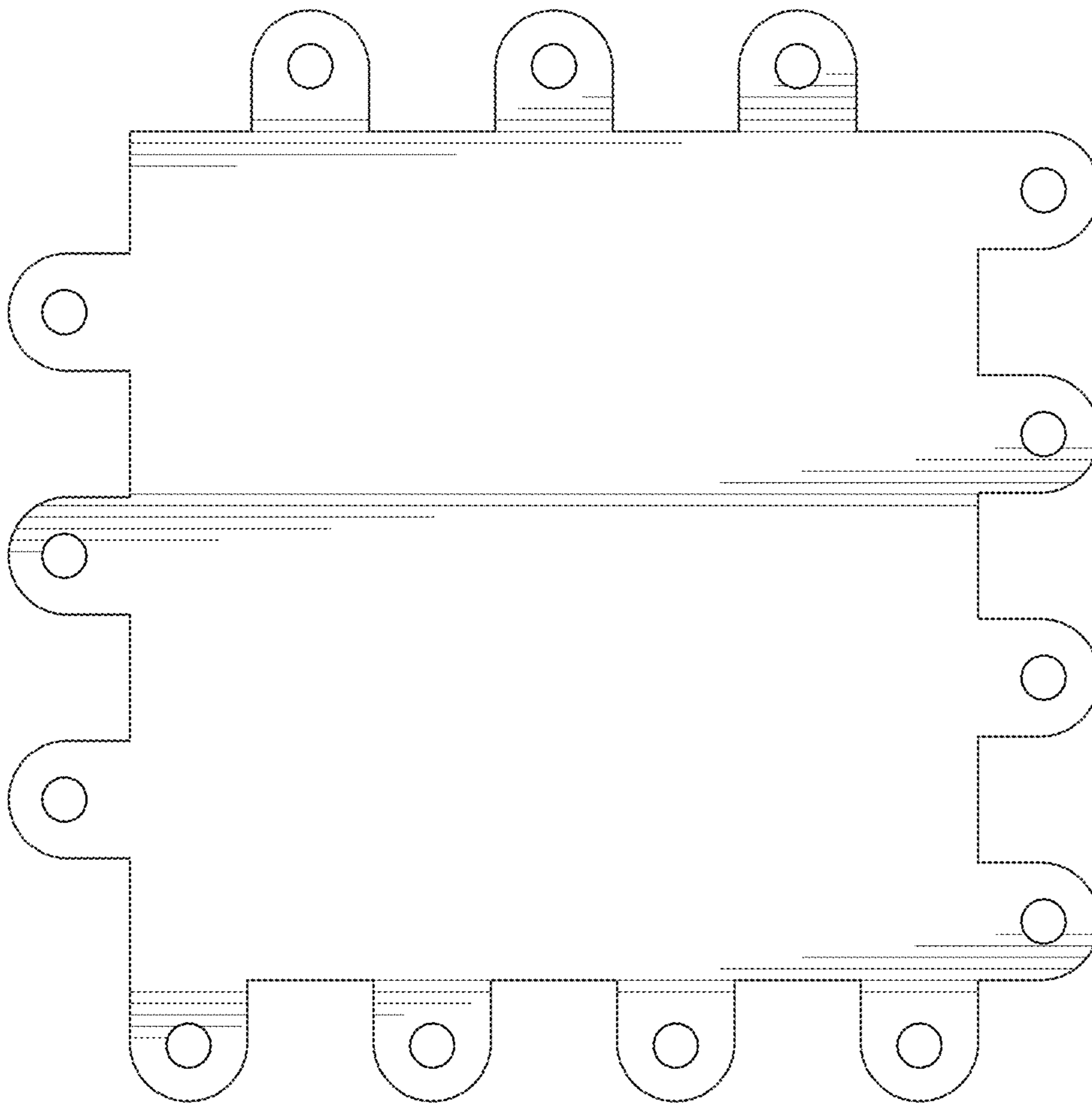


FIG. 5

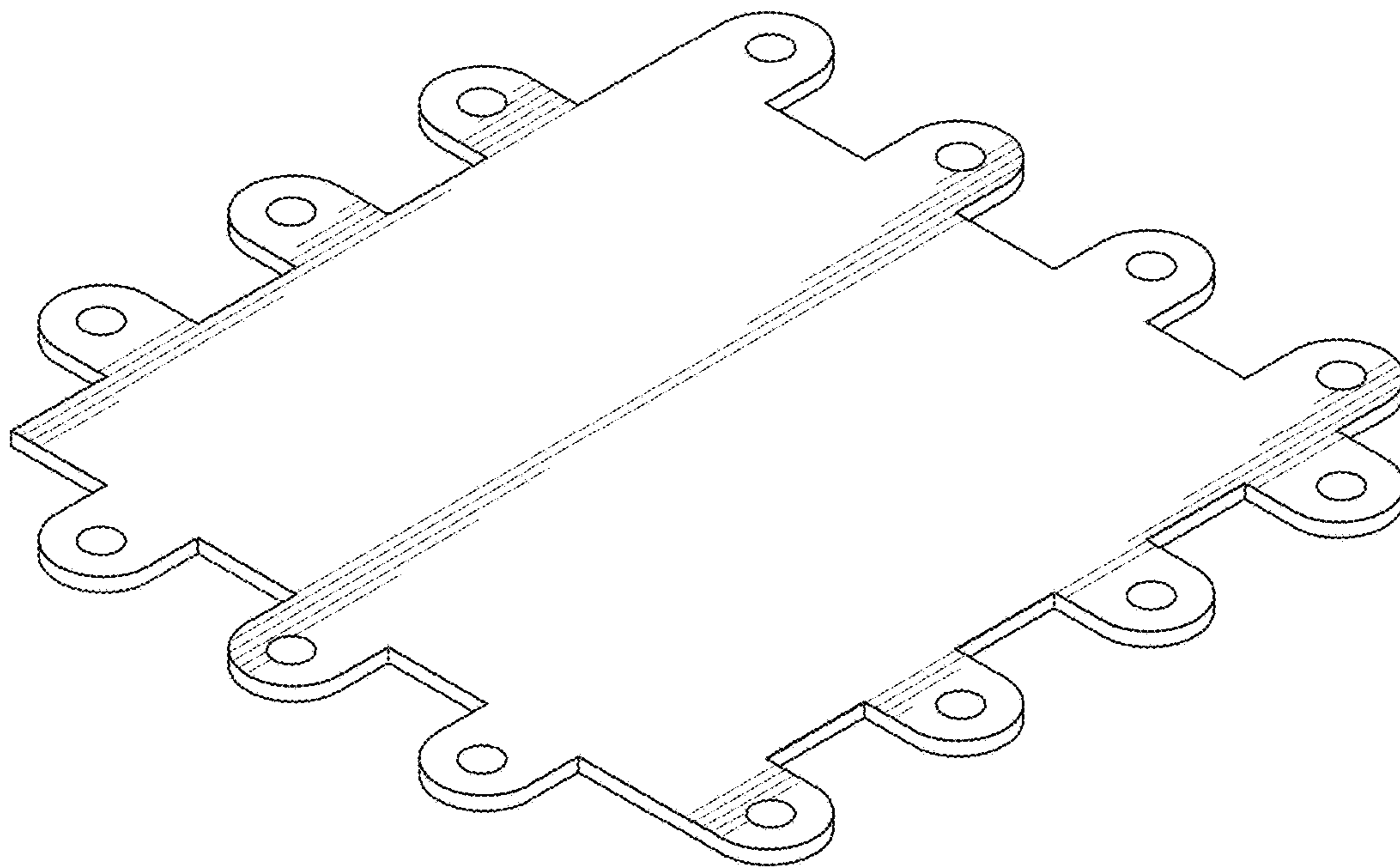


FIG. 6