



US00D832931S

(12) **United States Design Patent**
Gudushauri

(10) **Patent No.:** **US D832,931 S**

(45) **Date of Patent:** **** Nov. 6, 2018**

(54) **ELECTRIC KICK SCOOTER**

(71) Applicant: **George Gudushauri**, Tbilisi (GE)

(72) Inventor: **George Gudushauri**, Tbilisi (GE)

(**) Term: **15 Years**

(21) Appl. No.: **29/605,162**

(22) Filed: **May 24, 2017**

(51) **LOC (11) Cl.** **21-01**

(52) **U.S. Cl.**
USPC **D21/423**

(58) **Field of Classification Search**
USPC D21/419, 421, 423, 426-428, 435, 760,
D21/765, 771; D12/1, 8, 108, 112, 113
CPC . B62K 3/002; B62K 9/00; B62K 9/02; B62K
13/00; B62K 2202/00
See application file for complete search history.

(56) **References Cited**

U.S. PATENT DOCUMENTS

D312,485 S *	11/1990	Turner	D21/423
5,470,089 A *	11/1995	Whitson	B62K 3/002 280/264
6,273,439 B1 *	8/2001	Ray	B62K 3/002 280/63
D457,197 S *	5/2002	Becker	D21/423
6,450,516 B1 *	9/2002	Nall, III	B62K 3/002 280/288.1
D656,998 S *	4/2012	Wiggins	D21/423
8,322,735 B2 *	12/2012	Steinbach	B62K 3/002 280/87.021

D721,990 S *	2/2015	Lugo	D12/111
9,016,702 B2 *	4/2015	Huang	B62J 1/08 280/87.041
D755,899 S *	5/2016	Castrucci	D21/423
D798,959 S *	10/2017	Le	D21/423
D803,948 S *	11/2017	Chis	D21/423
2008/0246248 A1 *	10/2008	Rabadi	B62K 3/002 280/281.1

* cited by examiner

Primary Examiner — Cynthia M. Chin

(74) *Attorney, Agent, or Firm* — Lawrence G. Fridman,
Esq.; Feigin & Fridman, LLC

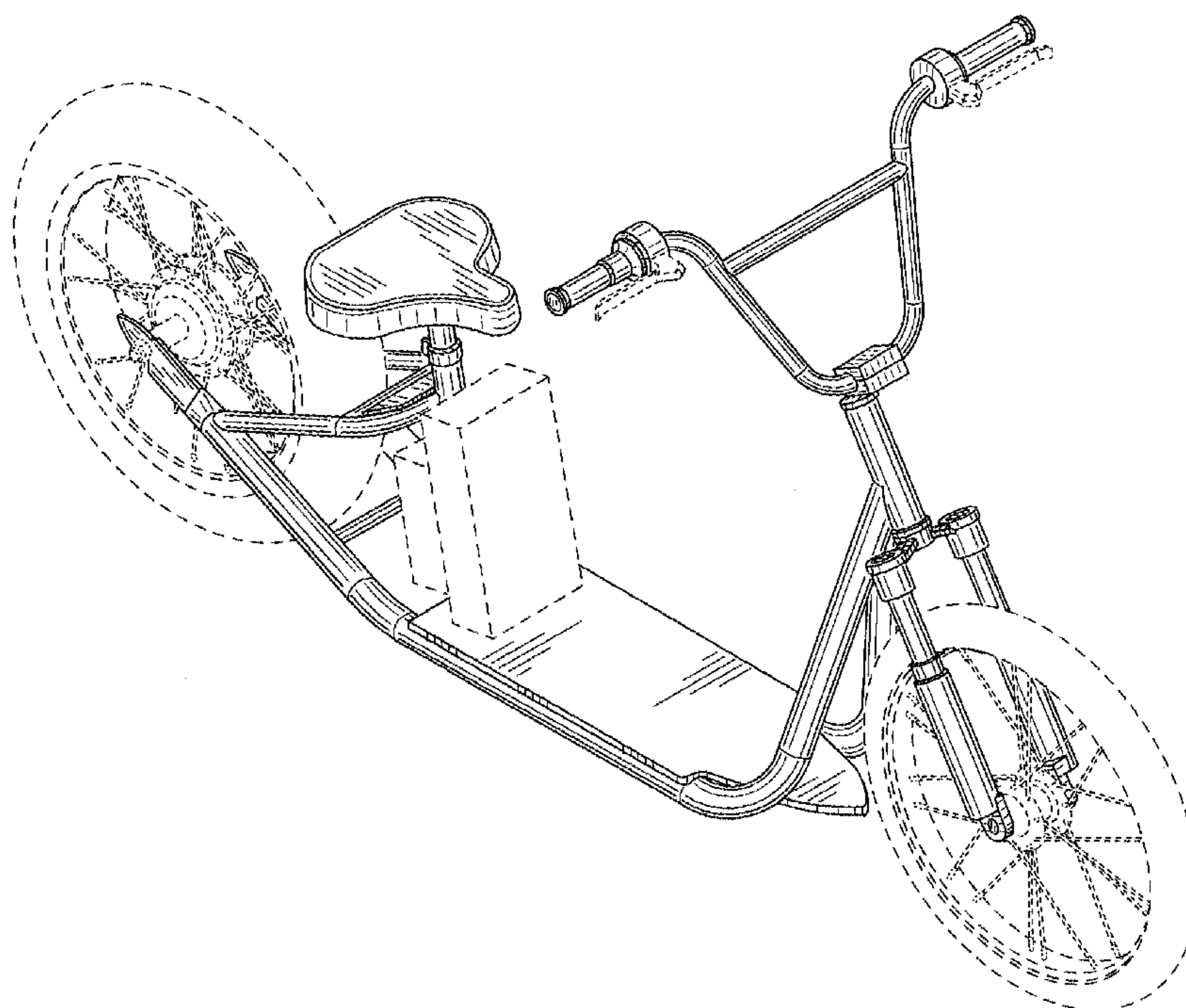
(57) **CLAIM**

The ornamental design for electric kick scooter, as shown and described.

DESCRIPTION

FIG. 1 is one perspective view of electric kick scooter according to my new design;
 FIG. 2 is one side elevational view thereof;
 FIG. 3 is another side elevational view thereof;
 FIG. 4 is an enlarged front elevational view thereof;
 FIG. 5 is an enlarged rear elevational view thereof;
 FIG. 6 is a top plan view thereof;
 FIG. 7 is a bottom plan view thereof; and,
 FIG. 8 is one perspective view thereof.
 The broken lines depict environment and form no part of the claimed design.

1 Claim, 8 Drawing Sheets



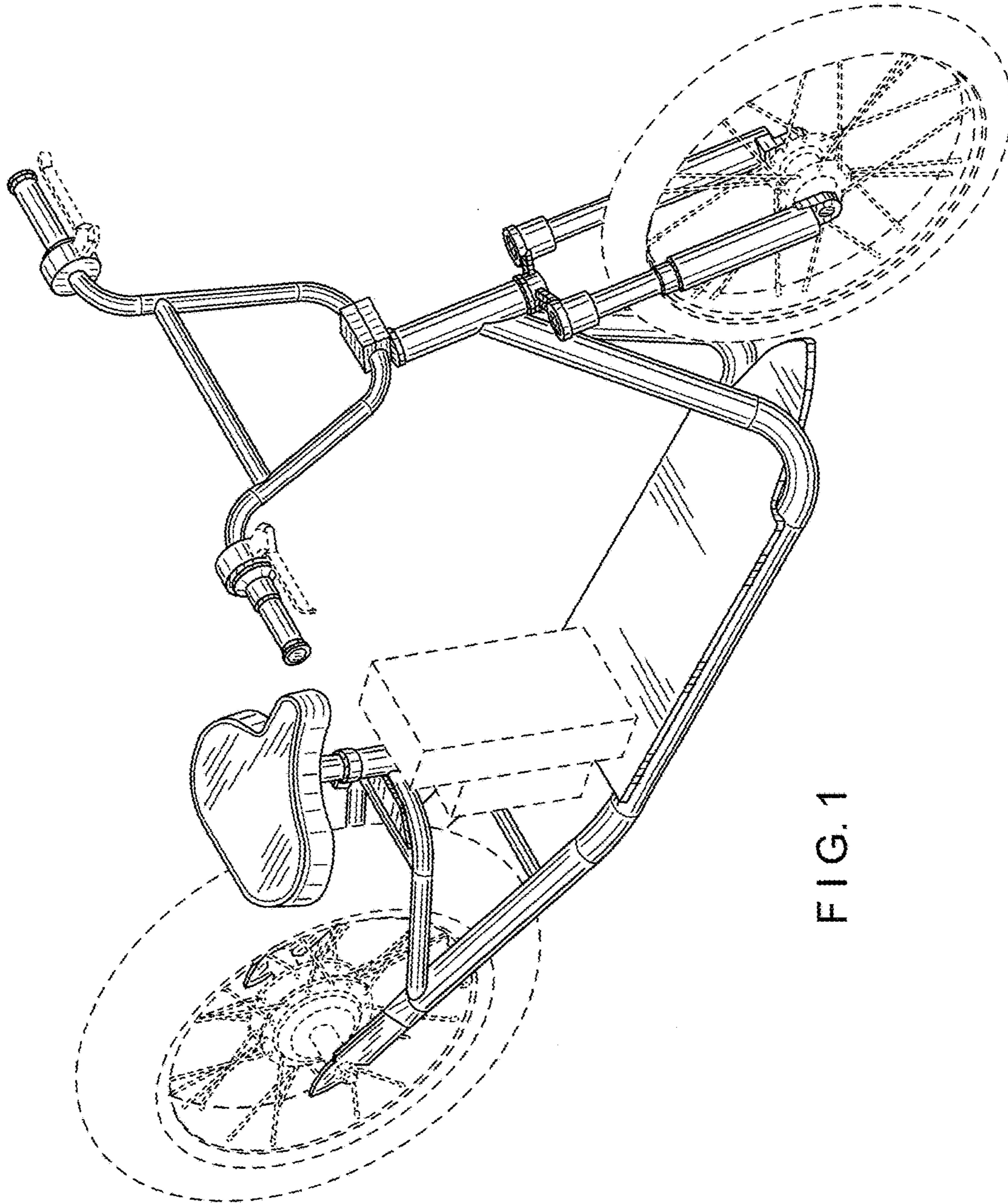


FIG. 1

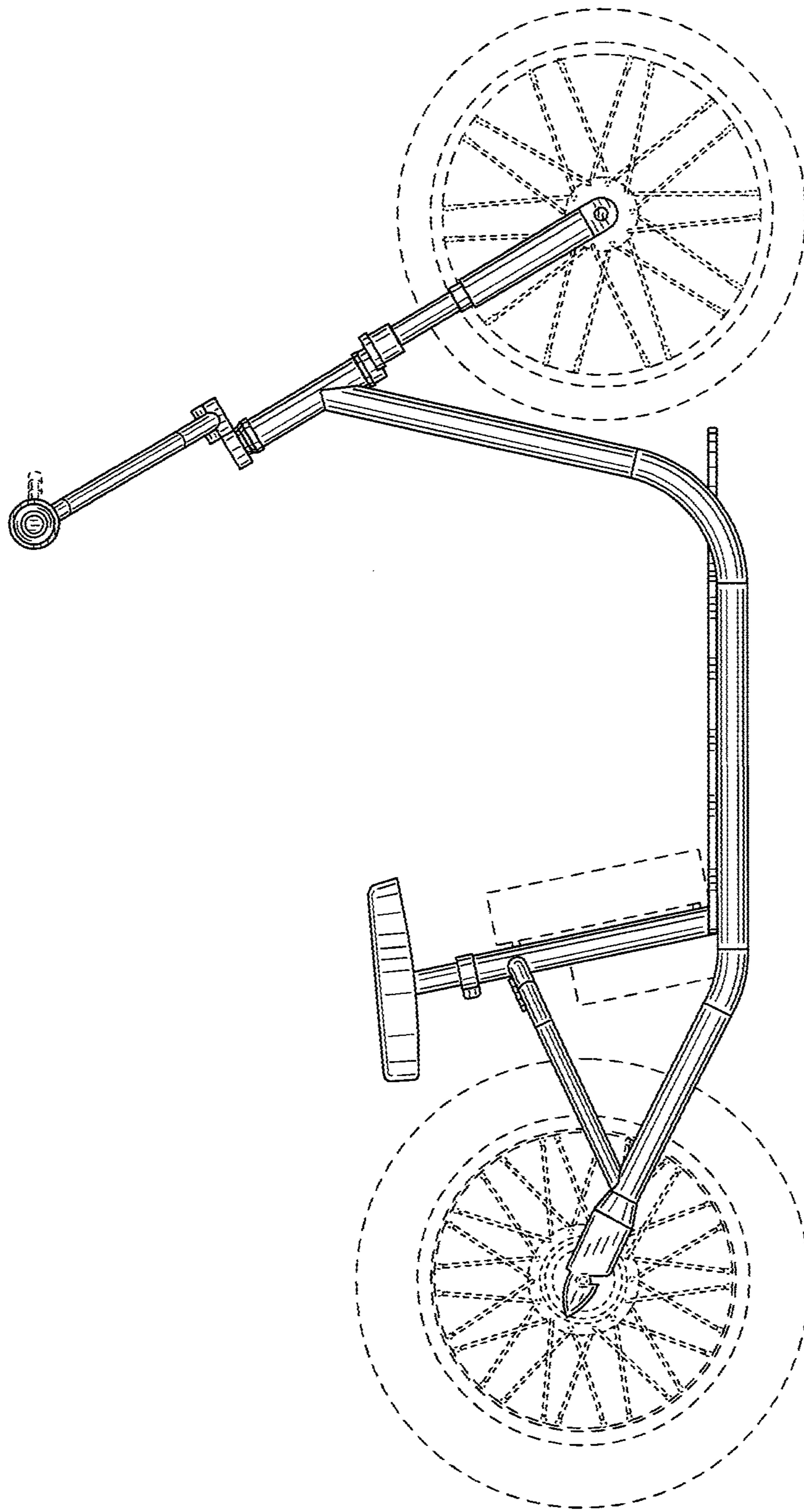


FIG. 2

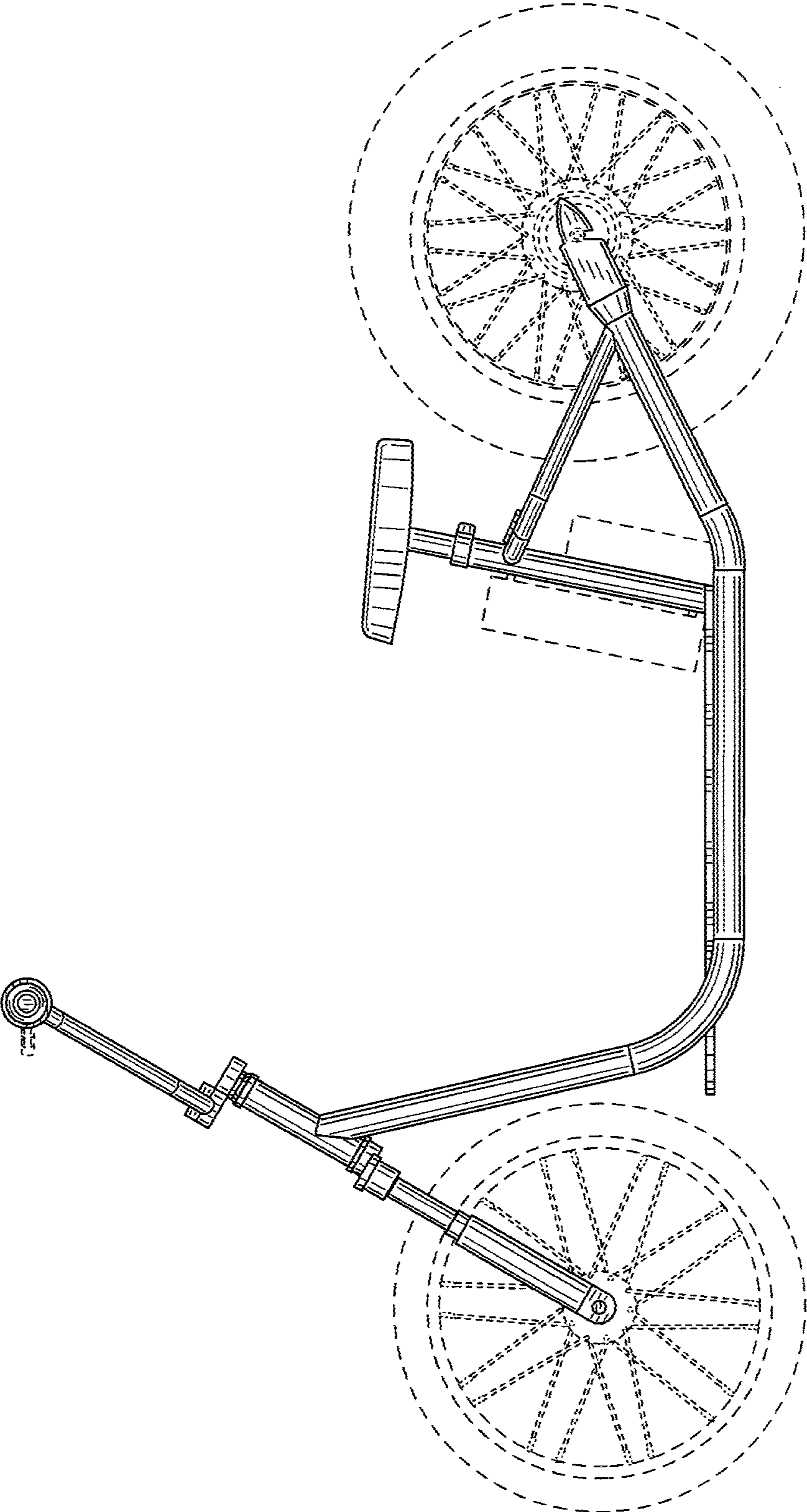


FIG. 3

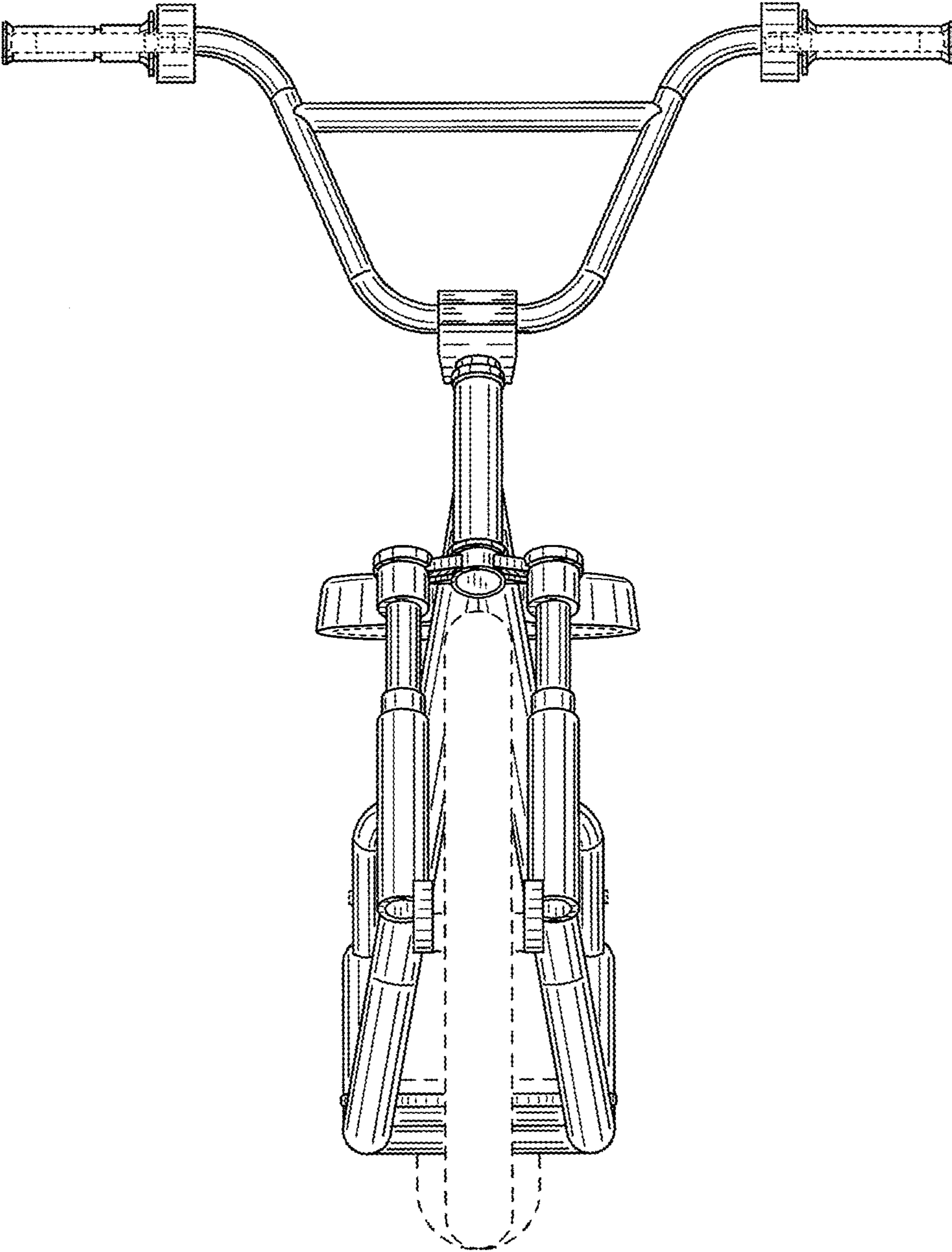


FIG. 4

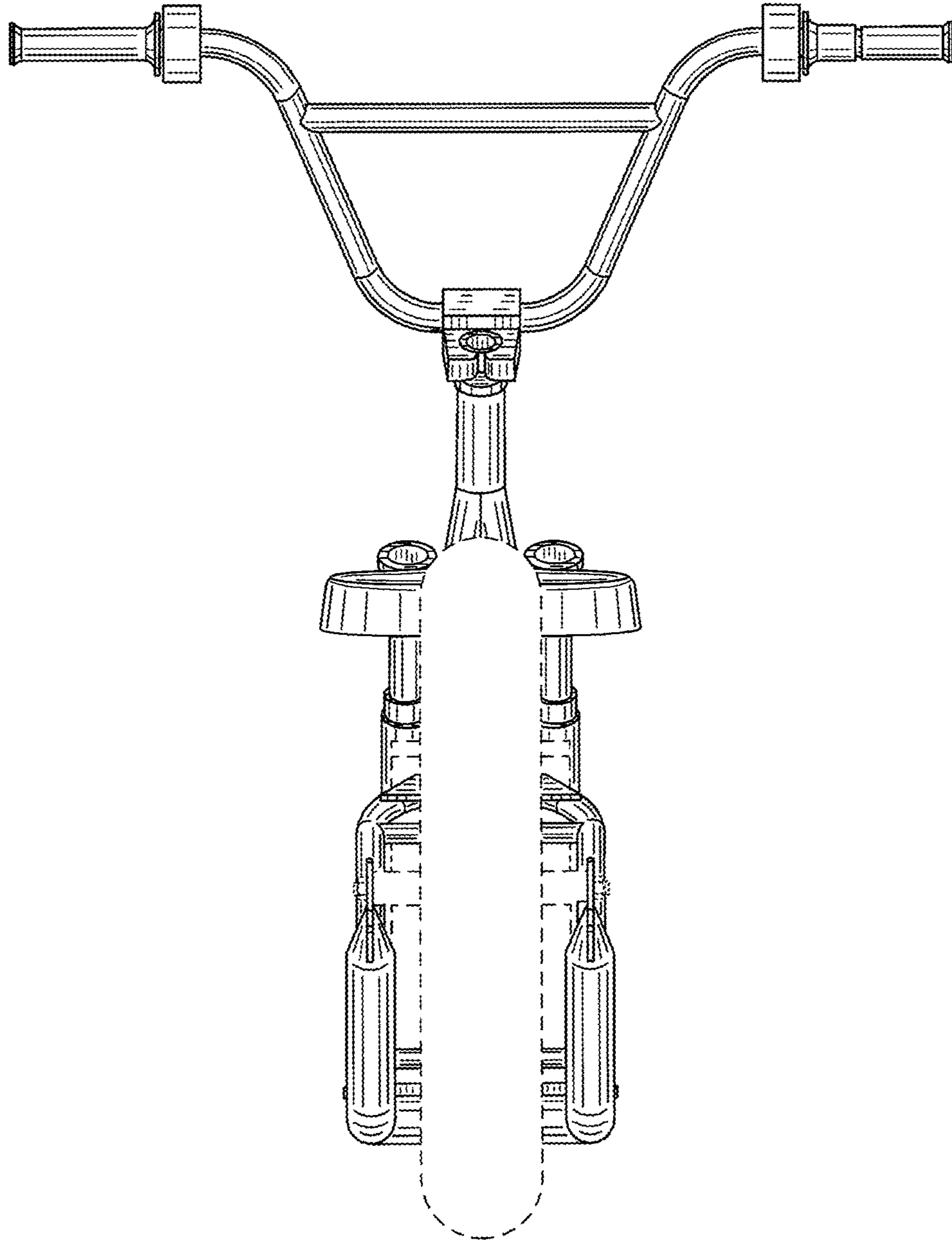


FIG. 5

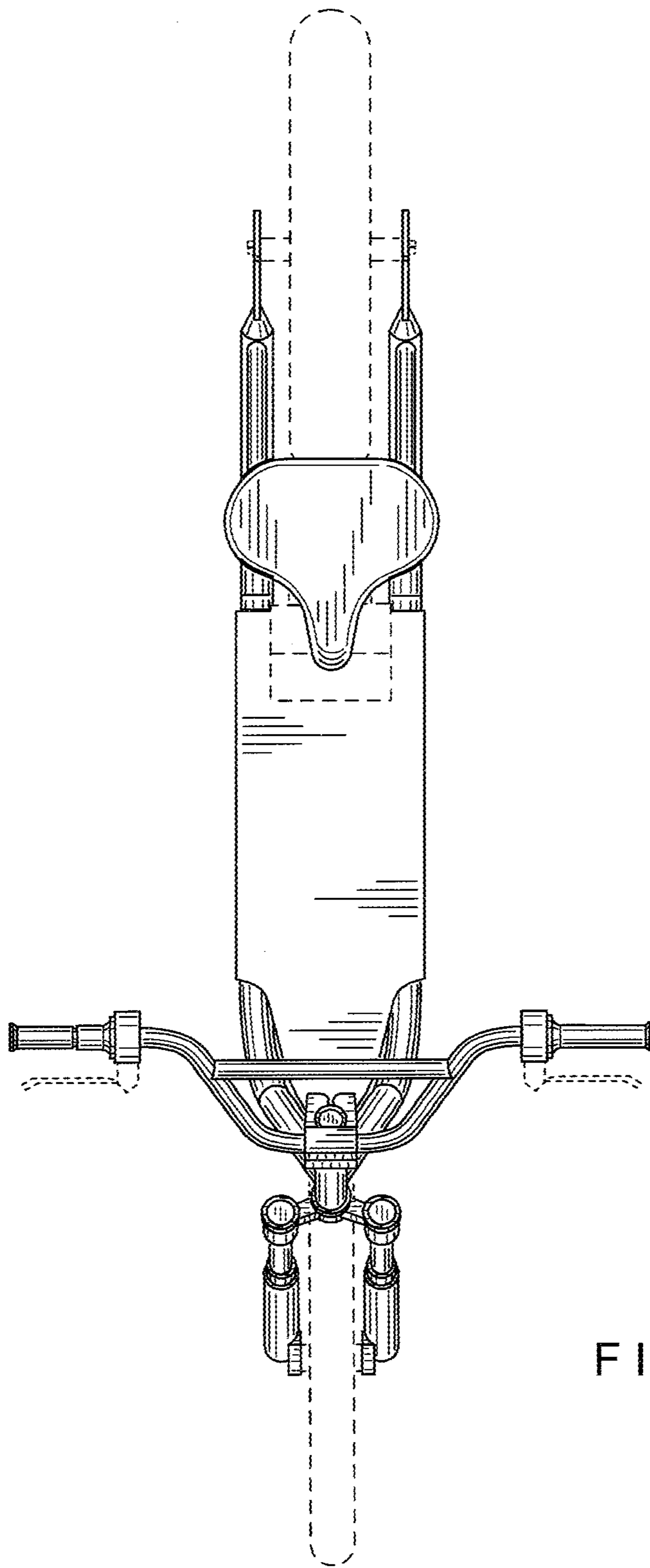


FIG. 6

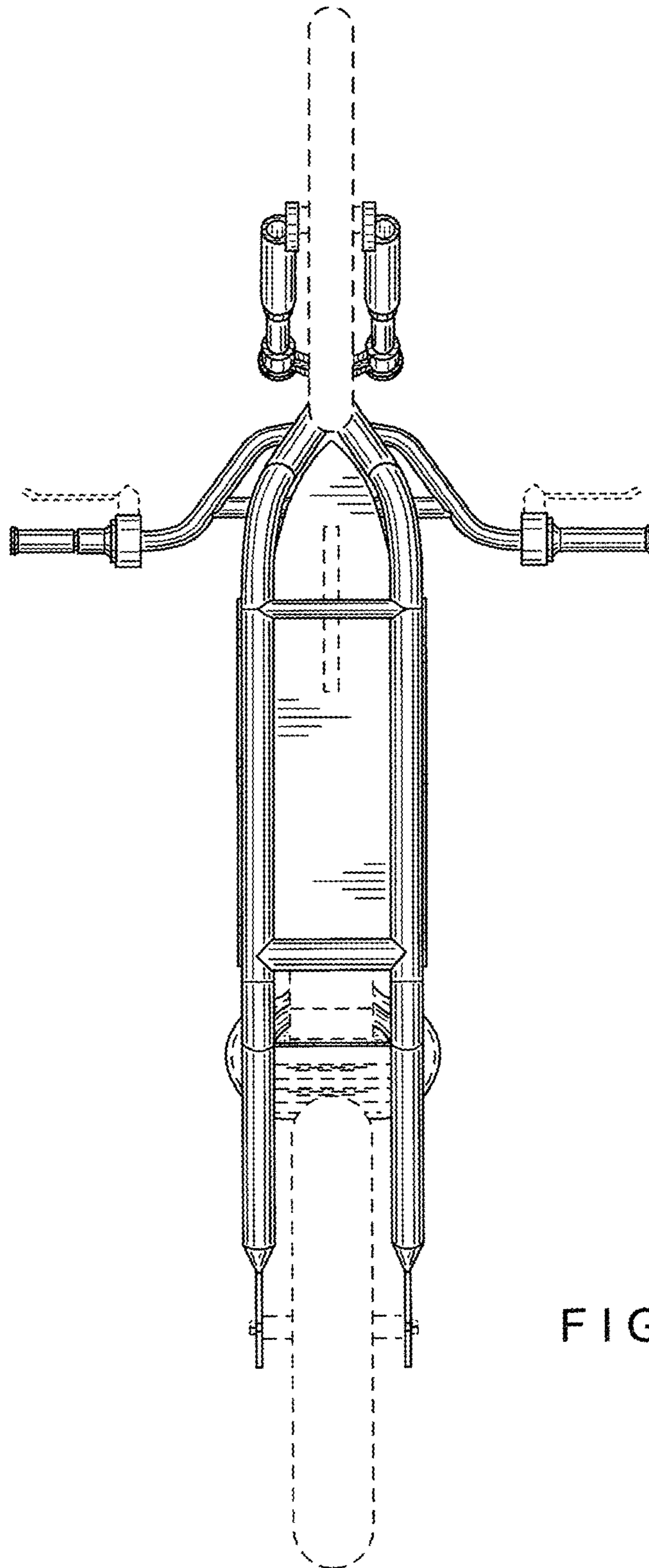


FIG. 7

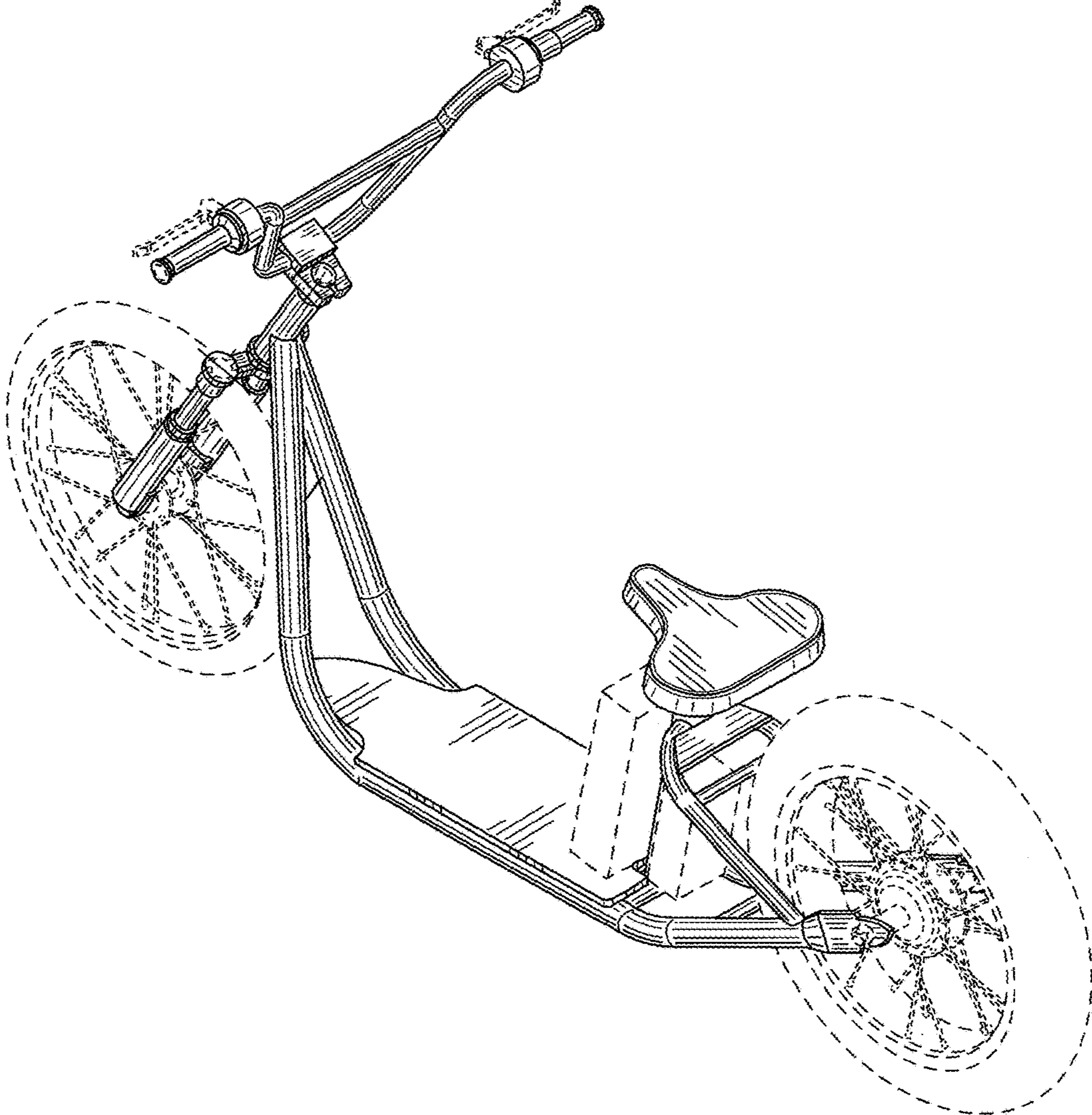


FIG. 8