



US00D832920S

(12) **United States Design Patent**  
**Nakata**

(10) **Patent No.:** **US D832,920 S**

(45) **Date of Patent:** **\*\* Nov. 6, 2018**

- (54) **BALLPOINT PEN**
- (71) Applicant: **KOTOBUKI & CO., LTD.**,  
Kawagoe-shi (JP)
- (72) Inventor: **Takaaki Nakata**, Kawagoe (JP)
- (73) Assignee: **KOTOBUKI & CO., LTD.**,  
Saitama-Ken (JP)
- (\*\*) Term: **15 Years**
- (21) Appl. No.: **29/616,760**
- (22) Filed: **Sep. 8, 2017**
- (30) **Foreign Application Priority Data**

- Mar. 21, 2017 (JP) ..... 2017-005642
- (51) **LOC (11) Cl.** ..... **19-06**
- (52) **U.S. Cl.**  
USPC ..... **D19/170**
- (58) **Field of Classification Search**  
USPC ..... D14/411; D19/115–204  
CPC . B43K 5/005; B43K 7/12; B43K 8/04; B43K  
8/06; B43K 19/00; B43K 19/02; B43K  
19/14; B43K 21/006; B43K 21/06  
See application file for complete search history.

(56) **References Cited**

**U.S. PATENT DOCUMENTS**

- 2,110,999 A \* 3/1938 Miga ..... A45D 29/04  
132/73.5
- D146,215 S \* 1/1947 Florman ..... D19/170
- 2,745,198 A \* 5/1956 Nelson ..... B43K 29/007  
40/326
- 2,783,741 A \* 3/1957 Maczynski ..... B43K 24/08  
401/112
- D229,357 S \* 11/1973 Defores ..... D19/170
- D267,887 S \* 2/1983 Rigoni ..... D19/169

- D274,917 S \* 7/1984 Hechter ..... D19/169
- D280,420 S \* 9/1985 Verhaegue ..... D19/169
- D297,022 S \* 8/1988 Grossiord ..... D19/173
- D323,852 S \* 2/1992 Gomez ..... D19/170
- D328,611 S \* 8/1992 Longarzo ..... D19/164
- D386,525 S \* 11/1997 Voegeli ..... D19/170
- D395,919 S \* 7/1998 Rosenbaum ..... D19/170
- D467,614 S \* 12/2002 Pellissa Beneyto ..... D19/170
- D469,123 S \* 1/2003 Briggl ..... D19/174
- 6,814,226 B2 \* 11/2004 Chao ..... A45C 11/04  
206/301
- D567,288 S \* 4/2008 Keil ..... D19/170
- D588,641 S \* 3/2009 Koch ..... D19/170
- D598,954 S \* 8/2009 Wang ..... D19/170
- 7,607,849 B2 \* 10/2009 Barker ..... B43K 24/06  
401/195
- D605,698 S \* 12/2009 Zhang ..... D19/170
- D606,587 S \* 12/2009 Zhang ..... D19/170
- D616,936 S \* 6/2010 Liu ..... D19/170

(Continued)

*Primary Examiner* — Elizabeth A. Albert

(74) *Attorney, Agent, or Firm* — Frost Brown Todd LLC

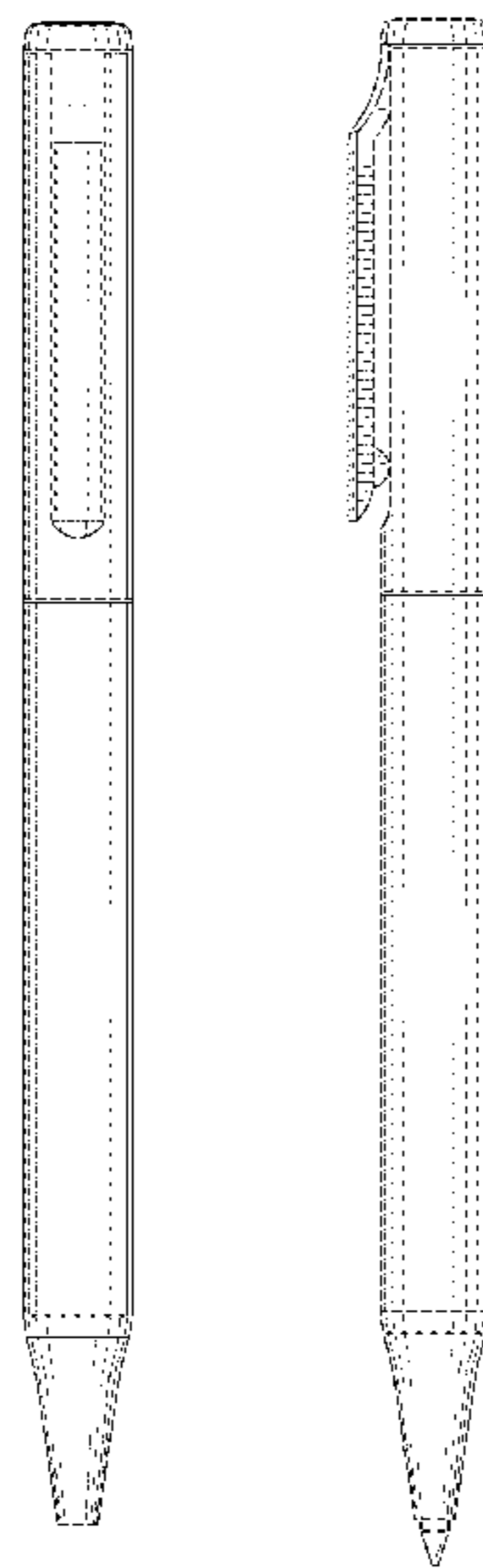
(57) **CLAIM**

The ornamental design for a ballpoint pen, as shown and described.

**DESCRIPTION**

FIG. 1 is a perspective view of a ballpoint pen showing my new design;  
 FIG. 2 is a front elevation view thereof, the back elevation view being a mirror image of the front elevation view;  
 FIG. 3 is an enlarged top plan view thereof;  
 FIG. 4 is an enlarged bottom plan view thereof;  
 FIG. 5 is a left side elevation view thereof;  
 FIG. 6 is a right side elevation view thereof;  
 FIG. 7 is an enlarged cross-sectional view thereof, taken along the line 7-7 in FIG. 2; and,  
 FIG. 8 is a front elevation view thereof with the writing tip moved to a distal position.

**1 Claim, 7 Drawing Sheets**



(56)

**References Cited**

U.S. PATENT DOCUMENTS

7,909,528 B2 *	3/2011	Brooks	.....	B43K 23/001 401/131
D768,133 S *	10/2016	Reed	.....	D14/411
D784,991 S *	4/2017	Chang	.....	D14/411
D797,742 S *	9/2017	Chang	.....	D14/411
D811,402 S *	2/2018	Nishizawa	.....	D14/411
D813,310 S *	3/2018	Matsushita	.....	D19/173

\* cited by examiner

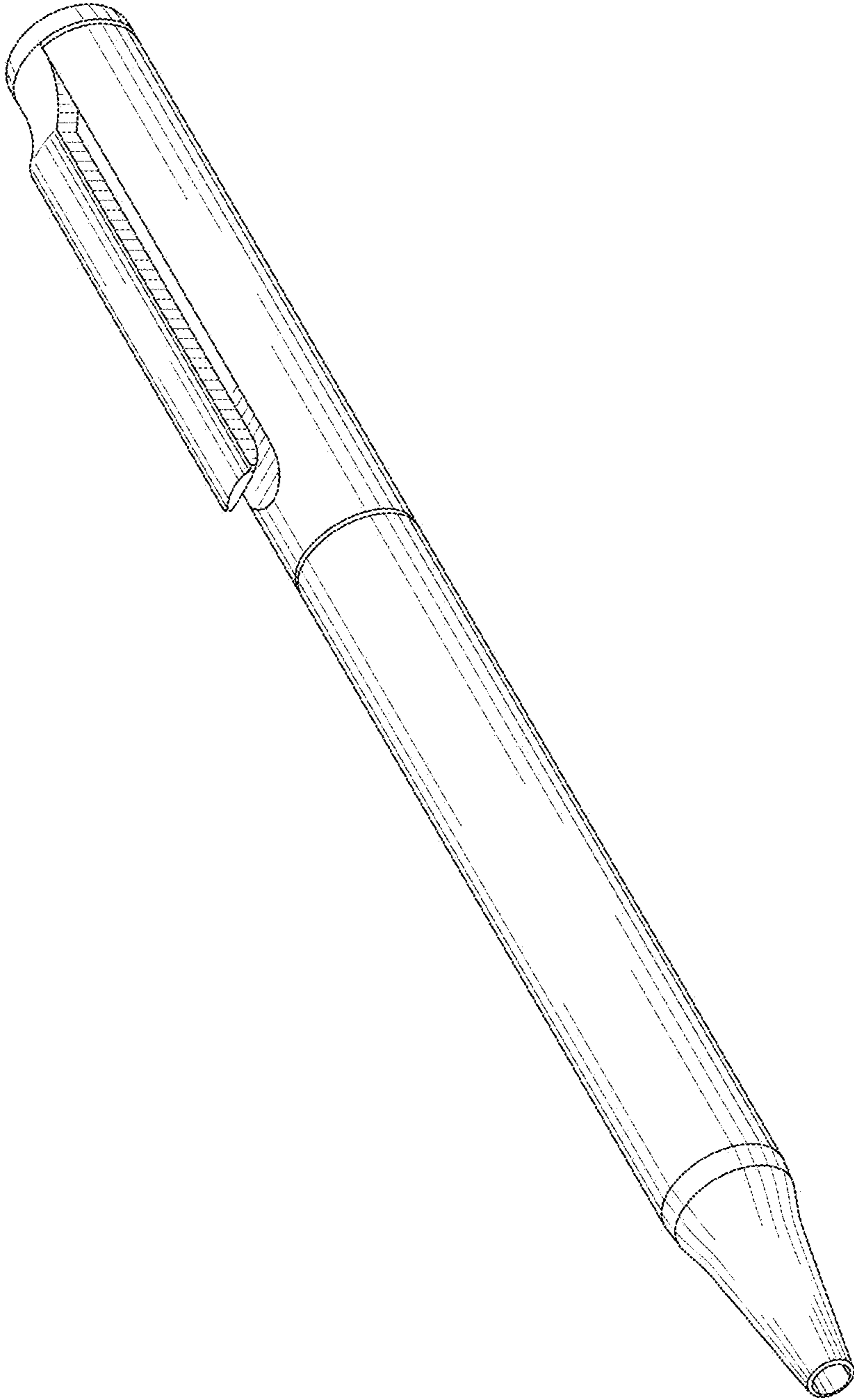


Fig. 1

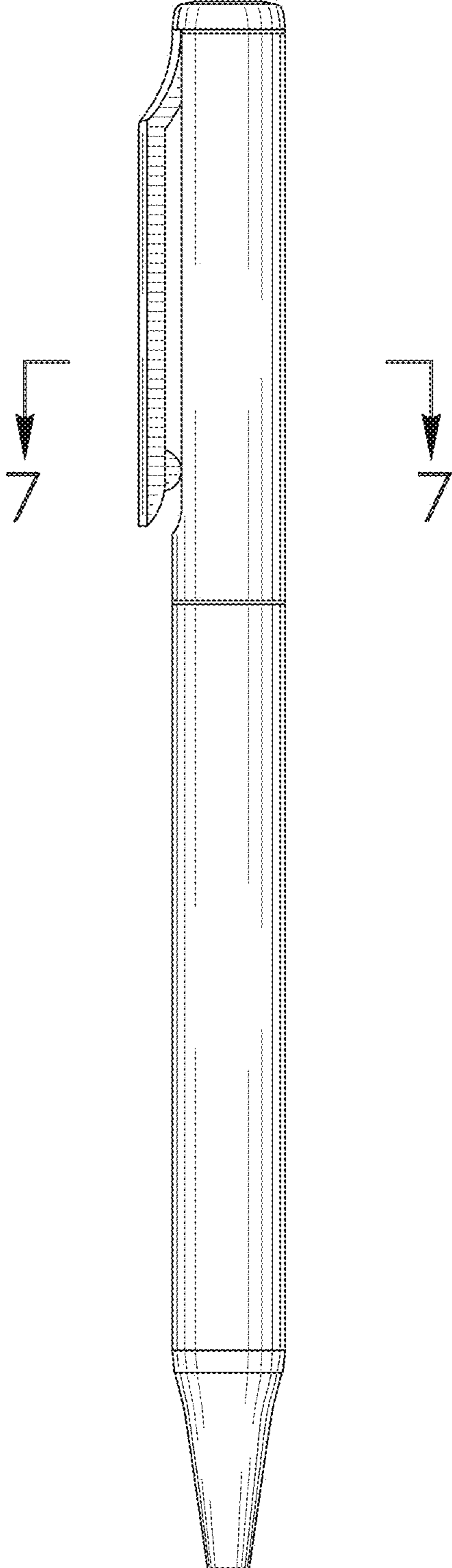


Fig.2

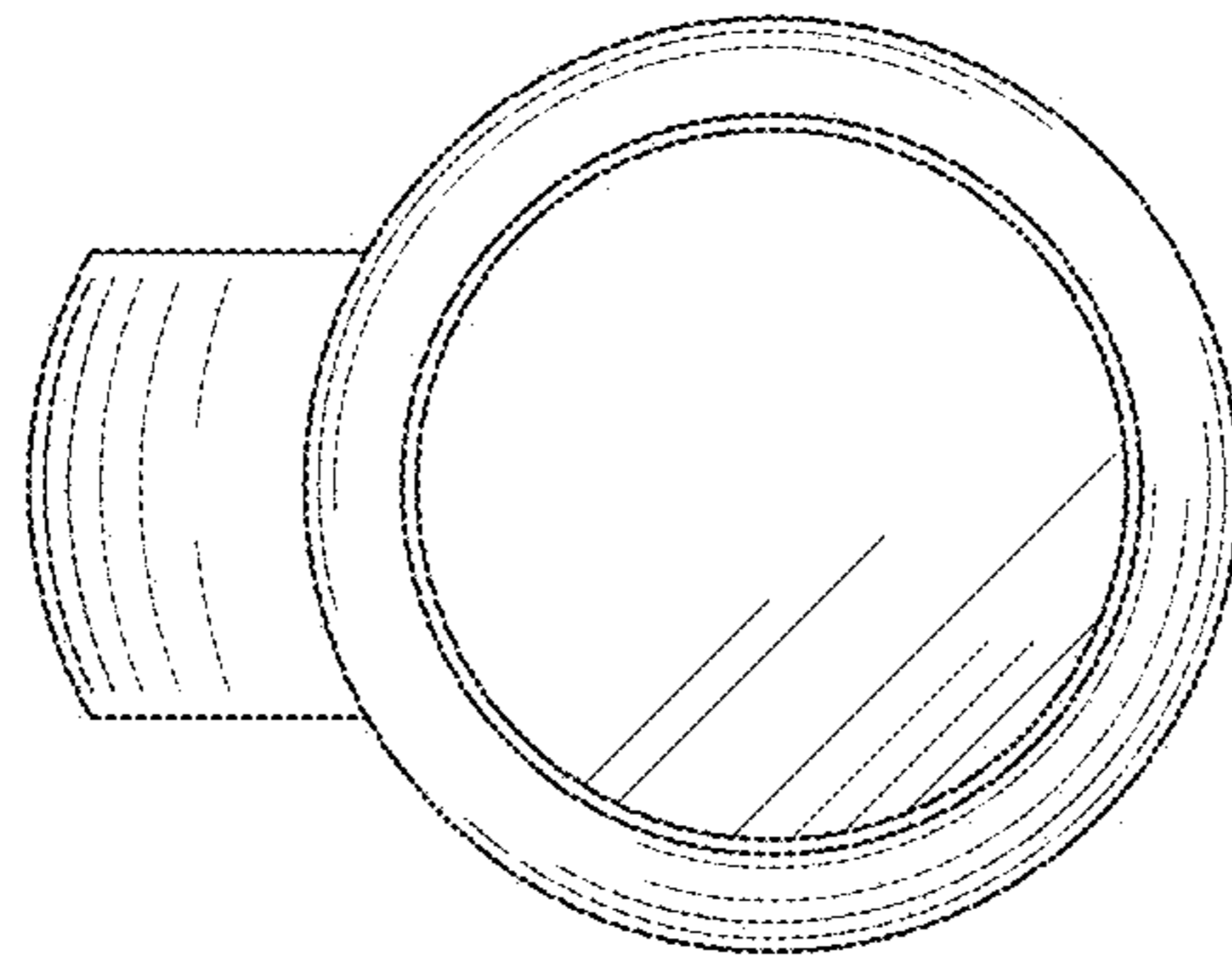


Fig. 3

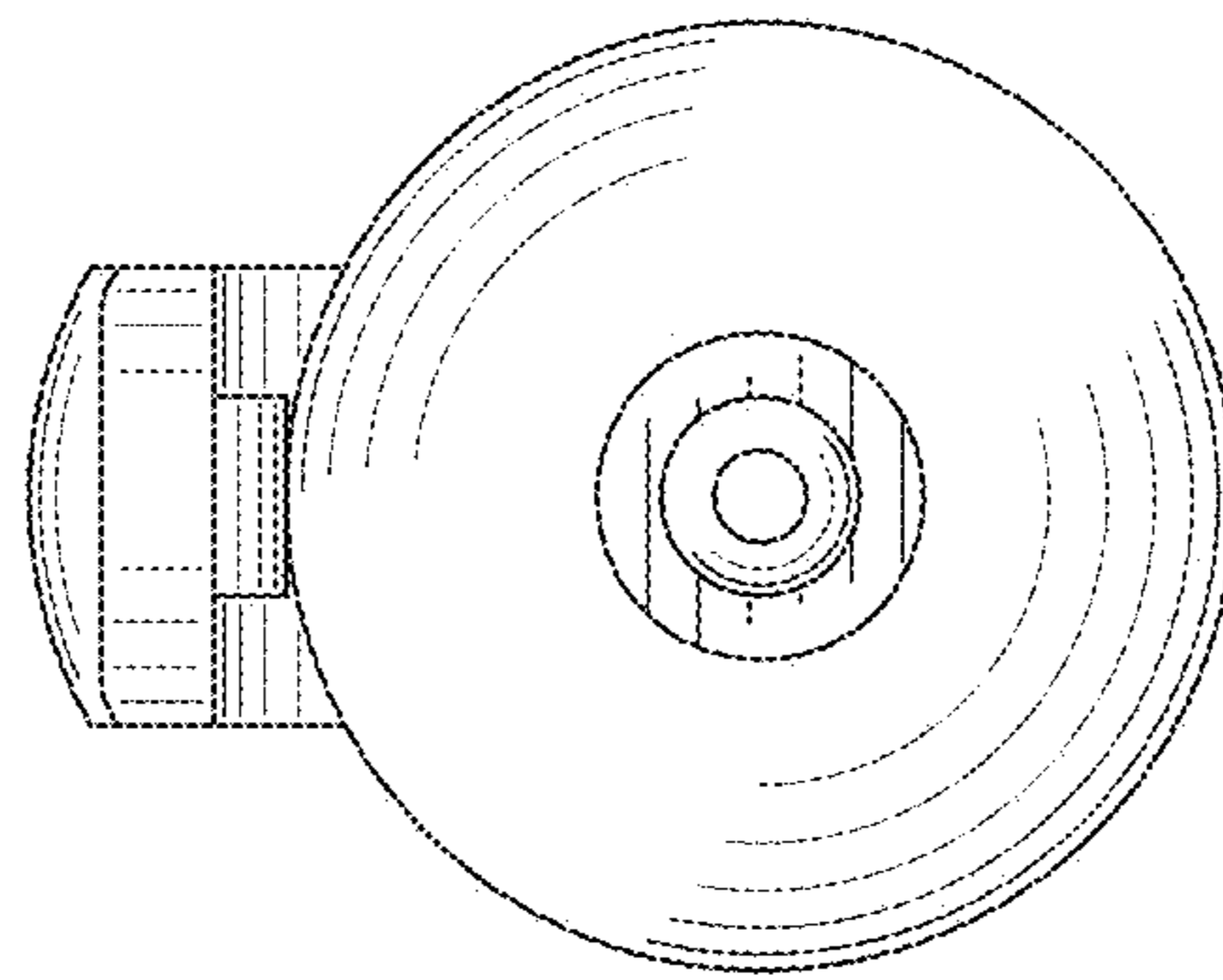


Fig. 4

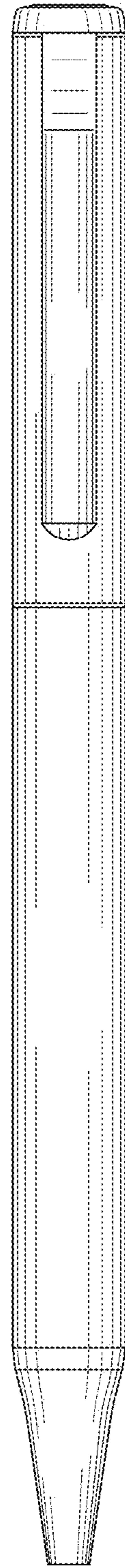


Fig. 5



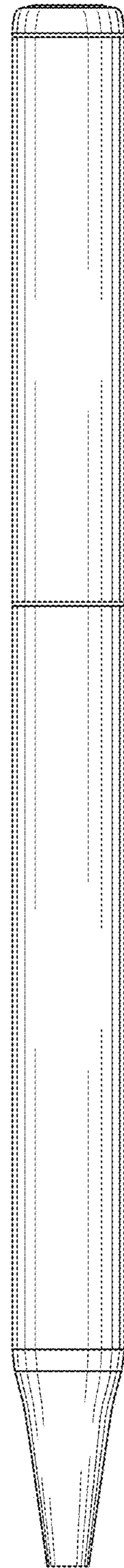


Fig. 6

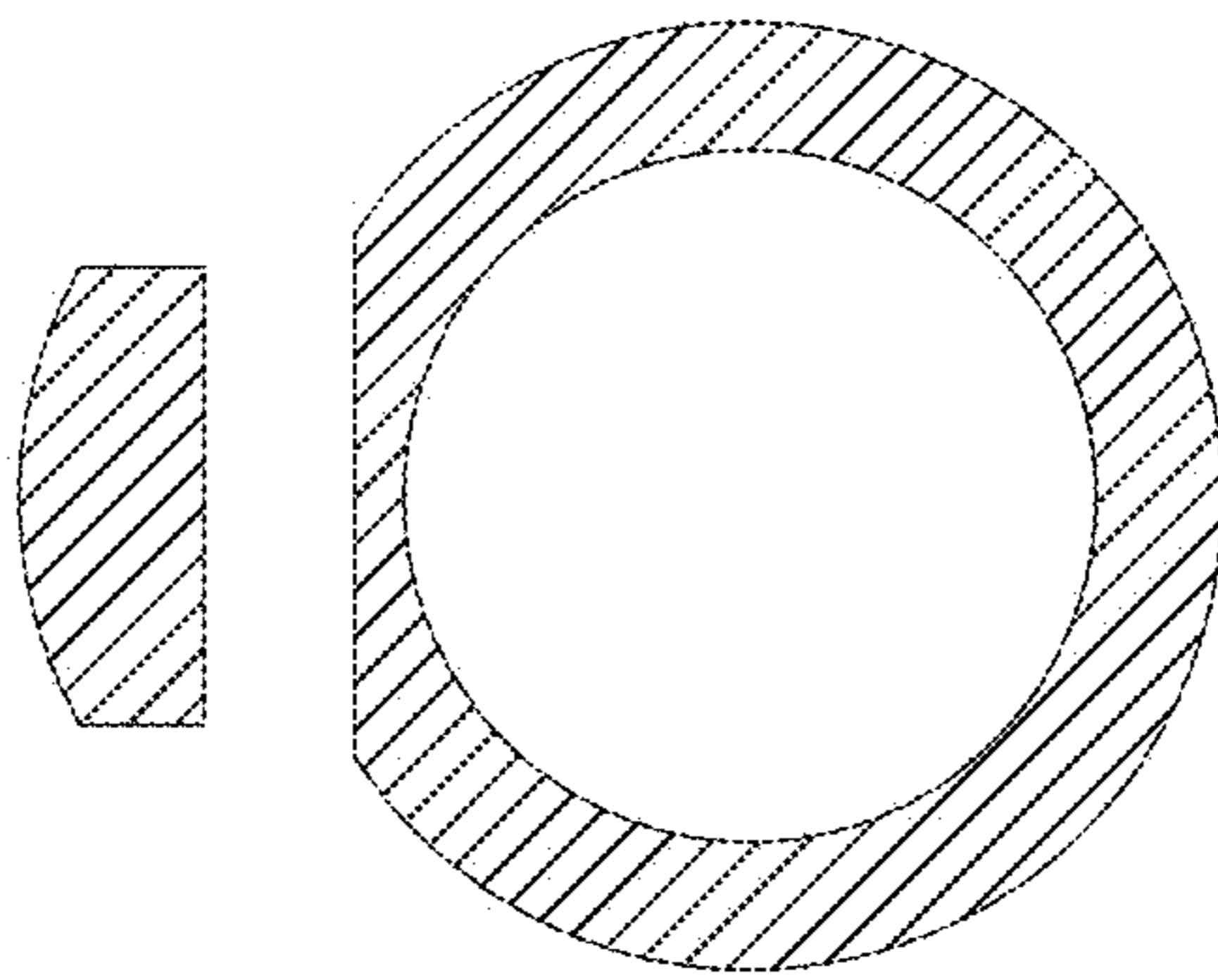


Fig.7



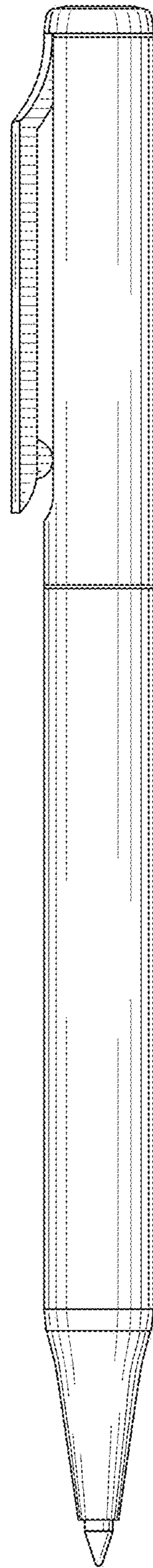


Fig. 8