

US00D832919S

(12) **United States Design Patent** (10) **Patent No.:** **US D832,919 S**
Lin (45) **Date of Patent:** **** Nov. 6, 2018**

- (54) **PEN**
- (71) Applicant: **Beifa Group Co., Ltd.**, Ningbo (CN)
- (72) Inventor: **Yuke Lin**, Ningbo (CN)
- (73) Assignee: **Beifa Group Co., Ltd.**, Ningbo (CN)
- (**) Term: **15 Years**
- (21) Appl. No.: **29/601,579**
- (22) Filed: **Apr. 24, 2017**
- (30) **Foreign Application Priority Data**

D390,601	S	*	2/1998	Irby	D19/164
D401,275	S	*	11/1998	Otake	D19/168
D401,278	S	*	11/1998	Hu	D19/169
D403,704	S	*	1/1999	Arita	D19/169
D409,241	S	*	5/1999	Melnick	D19/164
D411,237	S	*	6/1999	Izushima	D19/164
6,244,772	B1	*	6/2001	Ruchonnet	A44C 17/0291 401/195
D462,386	S	*	9/2002	Iwase	D19/169
D562,396	S	*	2/2008	Qiu	D19/169
D572,306	S	*	7/2008	Qiu	D19/117
D607,512	S	*	1/2010	Qiu	D19/117
D616,025	S	*	5/2010	Yan	D19/164
D667,883	S	*	9/2012	Chen	D19/168
D669,127	S	*	10/2012	Chen	D19/169
D689,932	S	*	9/2013	Jin	D19/164
D732,111	S	*	6/2015	Li	D19/164

- Oct. 27, 2016 (CN) 2016 3 0528220
- (51) **LOC (11) Cl.** **19-06**
- (52) **U.S. Cl.**
USPC **D19/164**
- (58) **Field of Classification Search**
USPC D14/411; D19/115–204
CPC . B43K 5/005; B43K 7/12; B43K 8/04; B43K
8/06; B43K 19/00; B43K 19/02; B43K
19/14; B43K 21/006; B43K 21/06
See application file for complete search history.

* cited by examiner

Primary Examiner — Elizabeth Albert
(74) *Attorney, Agent, or Firm* — Seed Intellectual
Property Law Group LLP

(56) **References Cited**

U.S. PATENT DOCUMENTS

2,123,427	A	*	7/1938	Kingman	B43K 5/145 401/151
D143,176	S	*	12/1945	Whitehouse	D19/168
D150,320	S	*	7/1948	Starr	D19/168
D260,101	S	*	8/1981	Gomez	D19/168
D323,189	S	*	1/1992	Tu	D19/168
D324,067	S	*	2/1992	Katami	D19/170
D327,707	S	*	7/1992	Katami	D19/168
D328,611	S	*	8/1992	Longarzo	D19/164
D329,461	S	*	9/1992	Katami	D19/168
D357,699	S	*	4/1995	Takanashi	D19/168

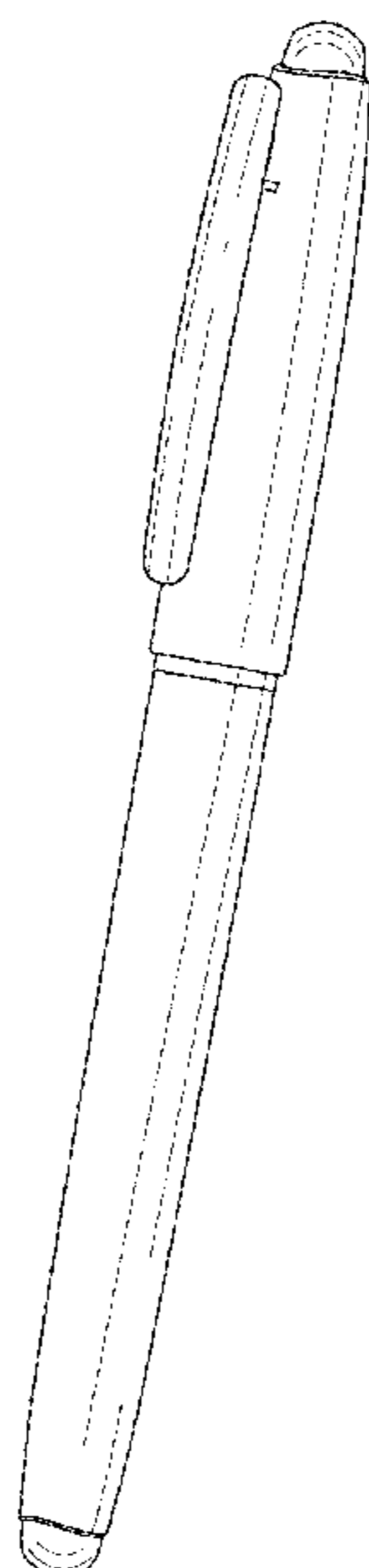
(57) **CLAIM**

The ornamental design for a pen, as shown and described.

DESCRIPTION

FIG. 1 is a tilted view of a pen rotated between a front and side elevation view showing my new design.
 FIG. 2 is a front elevation view thereof.
 FIG. 3 is a rear elevation view thereof.
 FIG. 4 is a left side elevation view thereof, with the right side elevation view being a mirror image of the left side elevation view.
 FIG. 5 is a top plan view thereof.
 FIG. 6 is a bottom plan view thereof.
 FIG. 7 is an enlarged top plan view thereof; and,
 FIG. 8 is an enlarged bottom plan view thereof.

1 Claim, 3 Drawing Sheets



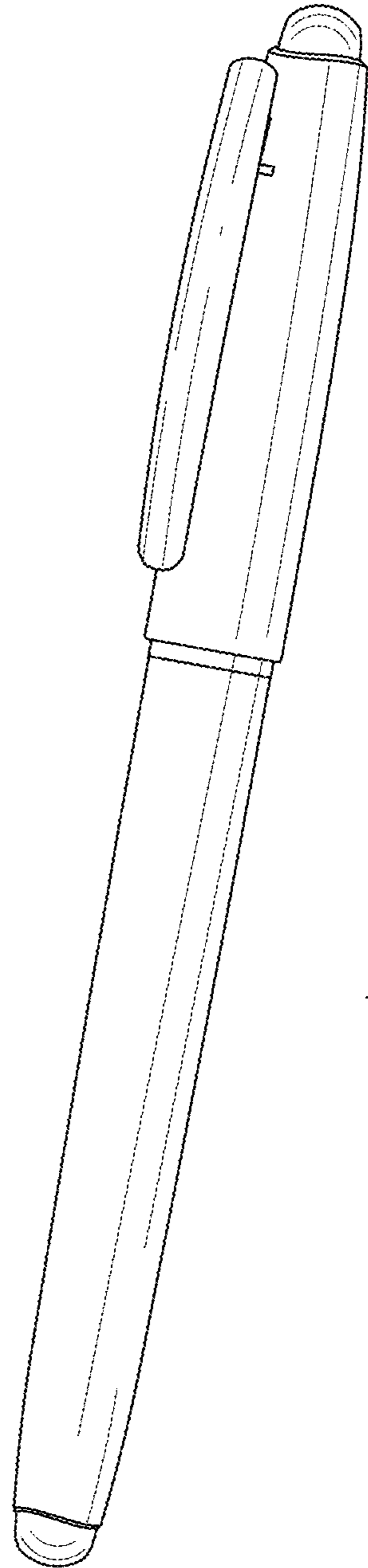


Fig. 1.

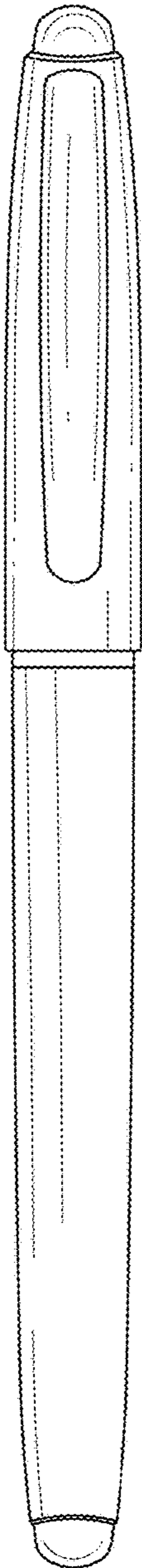


Fig. 2.

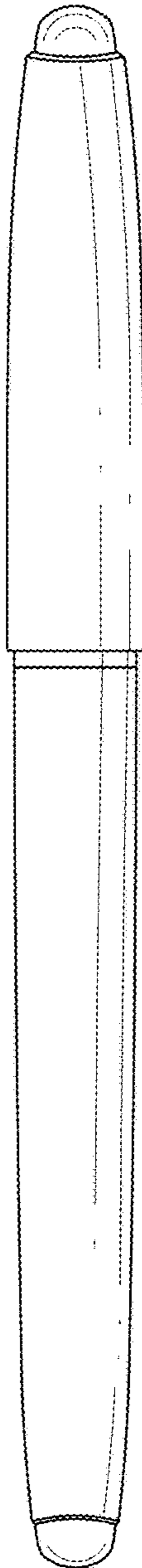


Fig. 3.

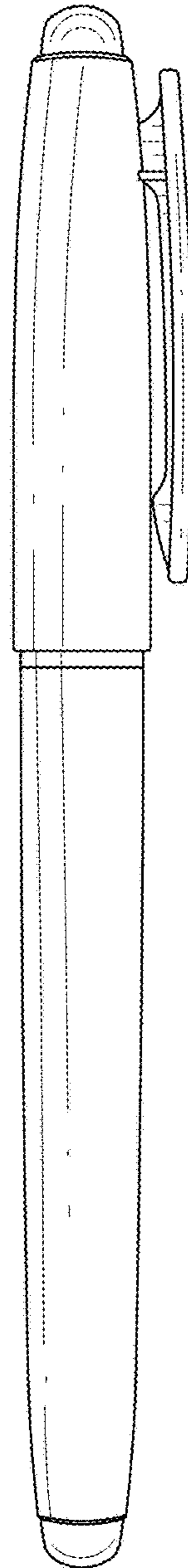


Fig. 4.

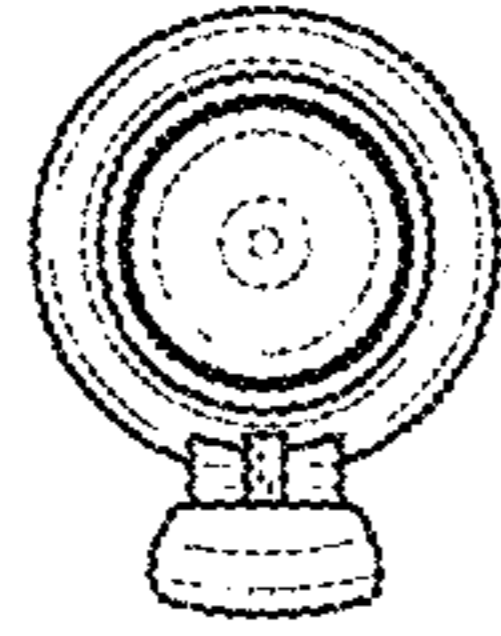


Fig. 5.

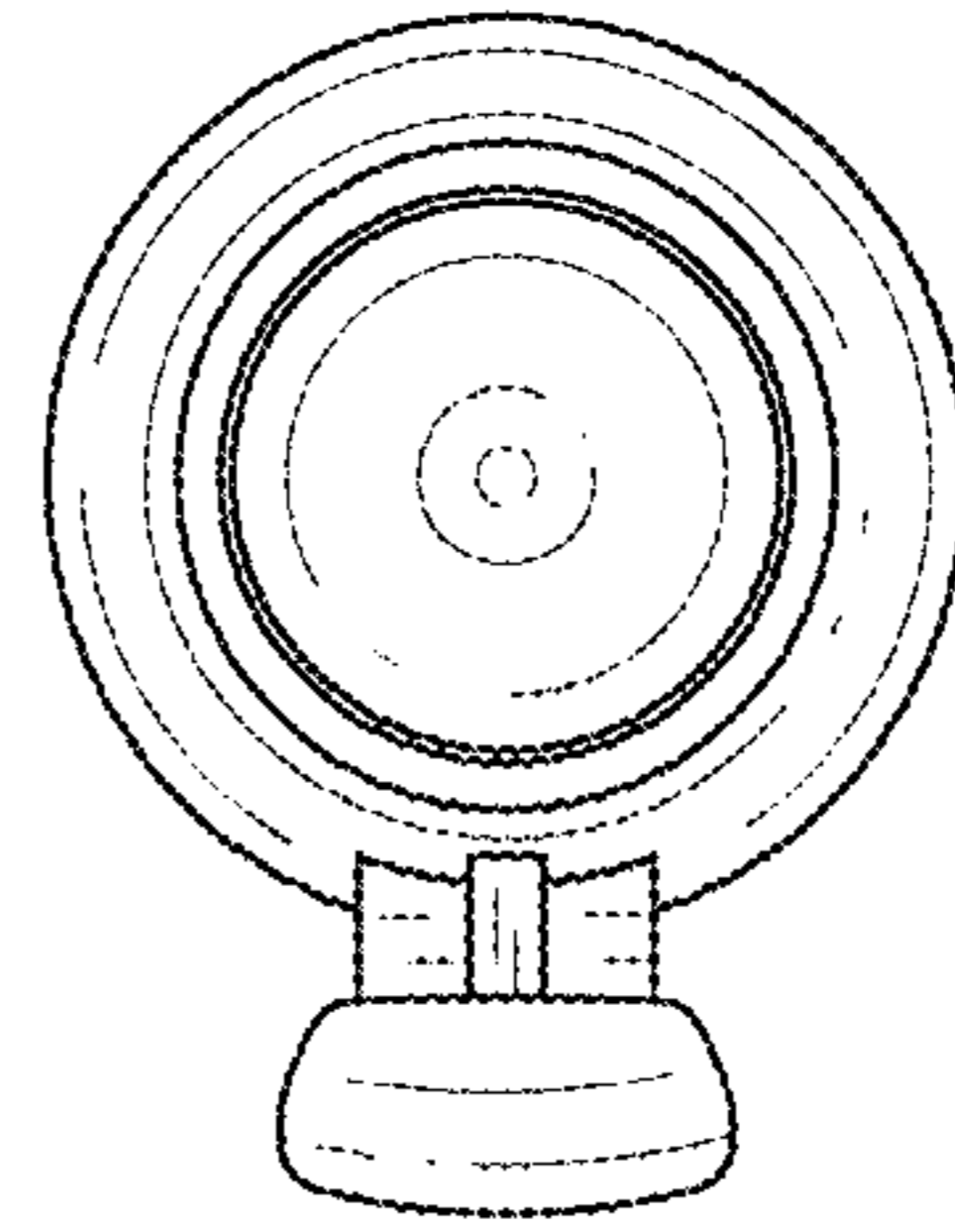


Fig. 7.

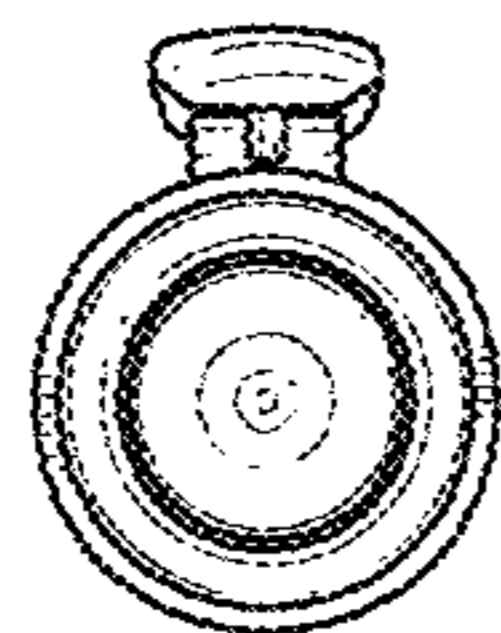


Fig. 6.

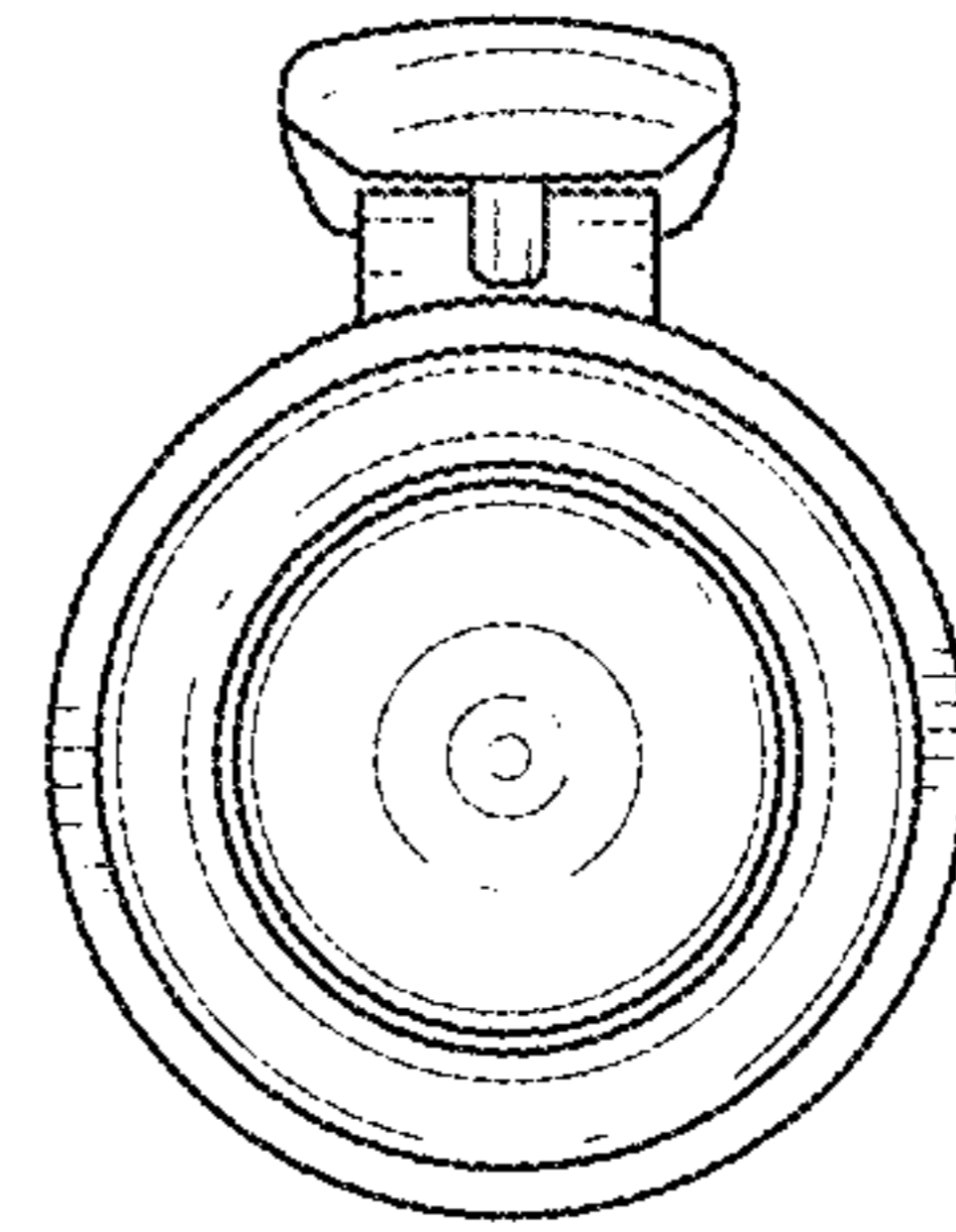


Fig. 8.