



US00D832918S

(12) **United States Design Patent**
Kang

(10) **Patent No.:** **US D832,918 S**

(45) **Date of Patent:** **** Nov. 6, 2018**

(54) **DRY ERASE BOARD**

(71) Applicant: **ACCO Brands Corporation**, Lake Zurich, IL (US)

(72) Inventor: **Seesong Kang**, Northbrook, IL (US)

(73) Assignee: **ACCO Brands Corporation**, Lake Zurich, IL (US)

(**) Term: **15 Years**

(21) Appl. No.: **29/621,646**

(22) Filed: **Oct. 10, 2017**

Related U.S. Application Data

(63) Continuation of application No. 29/556,716, filed on Mar. 2, 2016.

(51) **LOC (11) Cl.** **19-06**

(52) **U.S. Cl.**
USPC **D19/113**

(58) **Field of Classification Search**
USPC D19/113, 114; D20/10, 19, 40, 41, 42;
D6/300-302, 308, 310-312; D14/371,
D14/373, 374

(Continued)

(56) **References Cited**

U.S. PATENT DOCUMENTS

D27,143 S 6/1897 Allen
1,340,369 A * 5/1920 Boughton A47G 1/0633
40/777

(Continued)

OTHER PUBLICATIONS

Product name "Quartet Prestige 2 DuraMax Porcelain Magnetic Whiteboard", publicly available prior to Mar. 2, 2016, images

available at <http://www.officedepot.com/a/products/120413/Quartet-Prestige-2-DuraMax-Porcelain-Magnetic/>.

(Continued)

Primary Examiner — Elizabeth A. Albert

(74) *Attorney, Agent, or Firm* — Michael Best & Friedrich LLP

(57) **CLAIM**

I claim the ornamental design for a dry erase board, as shown and described.

DESCRIPTION

FIG. 1 is a front perspective view of a dry erase board showing my new design.

FIG. 2 is a rear perspective view of the dry erase board of FIG. 1.

FIG. 3 is a front view of the dry erase board of FIG. 1.

FIG. 4 is a rear view of the dry erase board of FIG. 1.

FIG. 5 is a right side view of the dry erase board of FIG. 1.

FIG. 6 is a left side view of the dry erase board of FIG. 1.

FIG. 7 is a top view of the dry erase board of FIG. 1.

FIG. 8 is a bottom view of the dry erase board of FIG. 1.

FIG. 9 is a front perspective view of a dry erase board, embodying aspects of the invention.

FIG. 10 is a rear perspective view of the dry erase board of FIG. 9.

FIG. 11 is a front view of the dry erase board of FIG. 9.

FIG. 12 is a rear view of the dry erase board of FIG. 9.

FIG. 13 is a right side view of the dry erase board of FIG. 9.

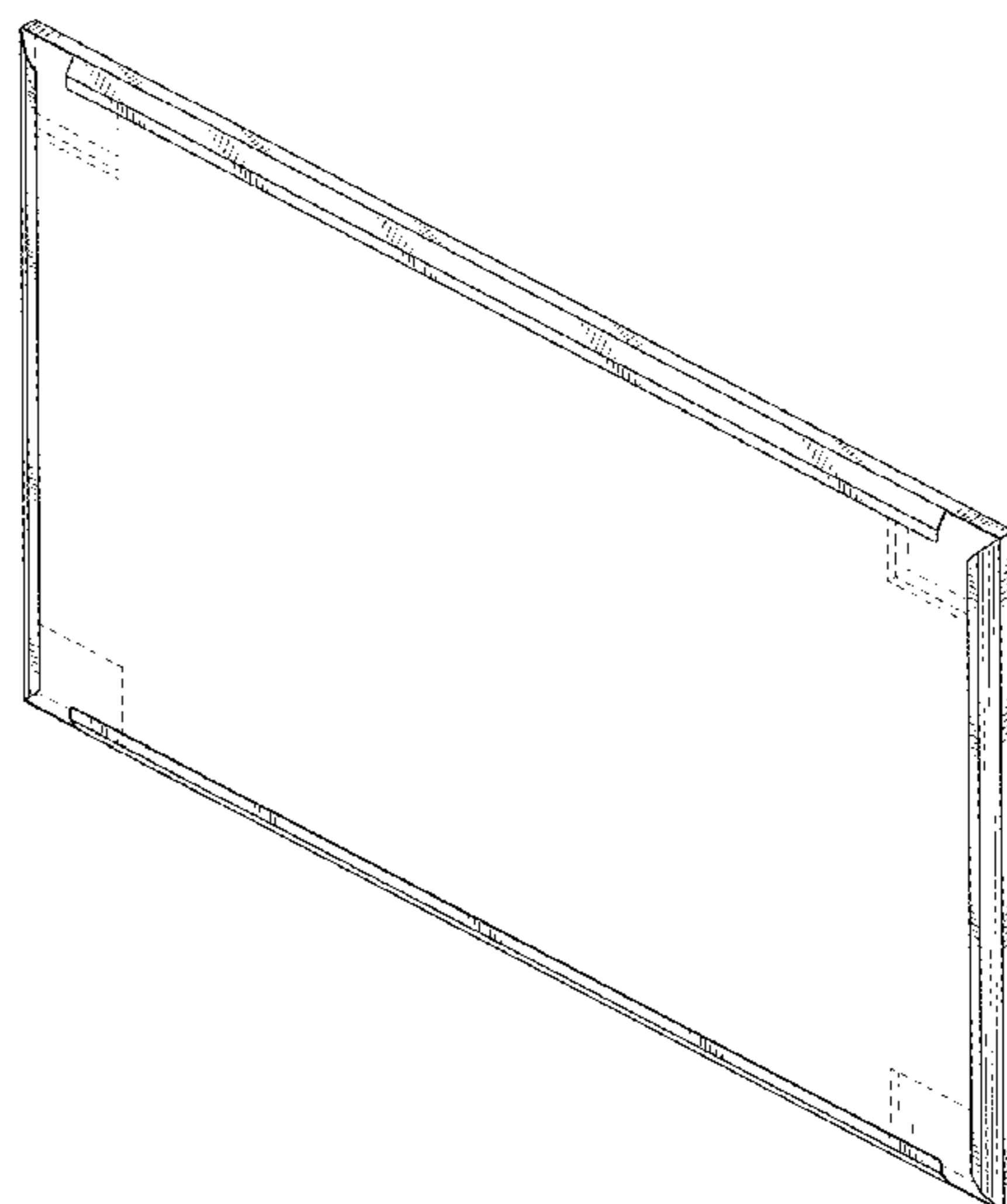
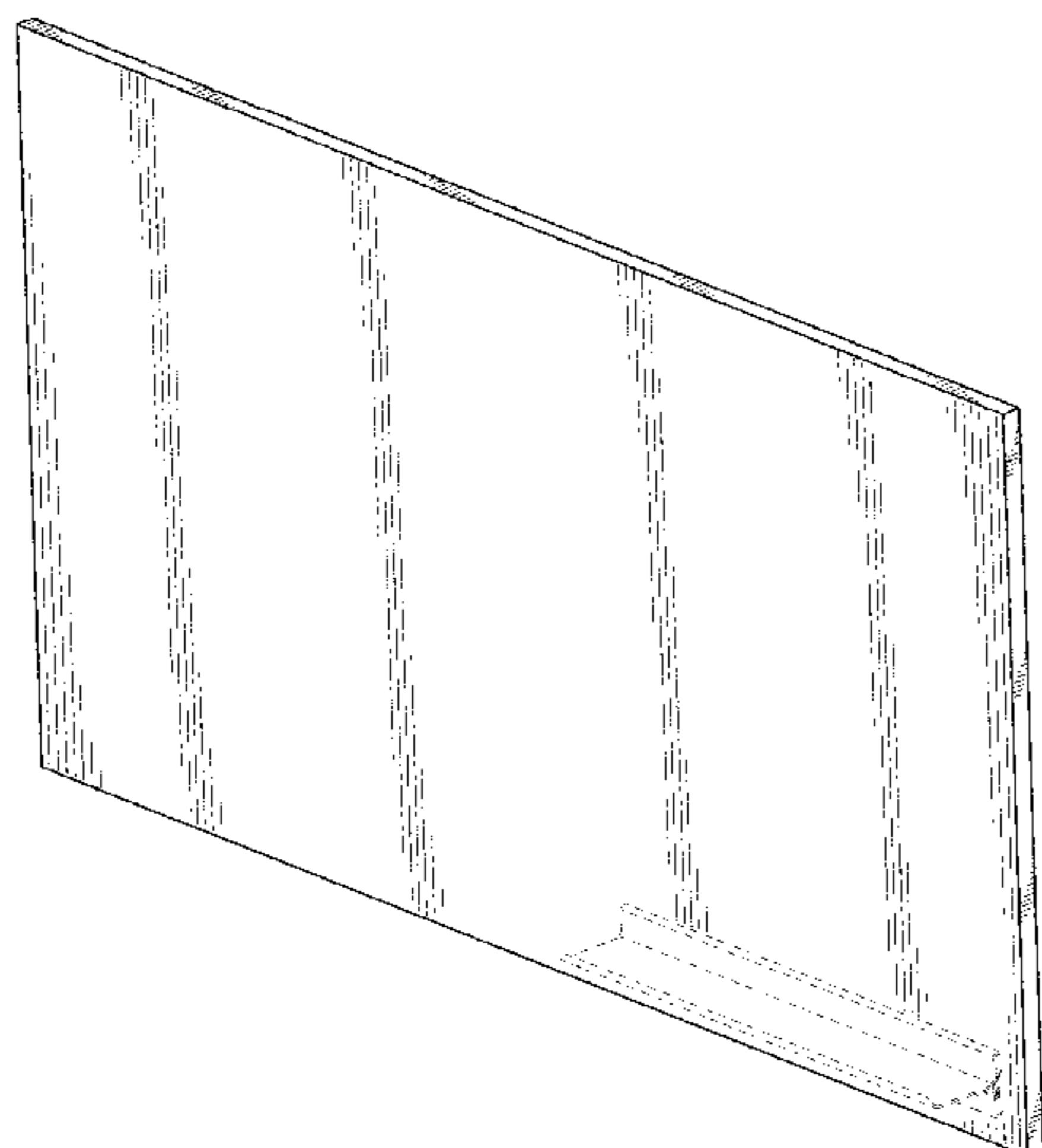
FIG. 14 is a left side view of the dry erase board of FIG. 9.

FIG. 15 is a top view of the dry erase board of FIG. 9; and,

FIG. 16 is a bottom view of the dry erase board of FIG. 9.

In the drawings, the evenly-spaced broken lines depict environmental subject matter only that forms no part of the claim; the dash-dot-dash lines represent boundaries of the claimed design and form no part thereof.

1 Claim, 12 Drawing Sheets



(58) **Field of Classification Search**
 CPC .. B43L 1/00; B43L 1/004; B43L 1/008; B43L
 1/10; B43L 1/12; B43L 5/00; G09F 7/04;
 G09F 2007/1834; G09F 2007/1843; G09F
 2007/1847; G09F 3/045; G09G 15/00;
 G09G 15/0012; G09G 15/0018; G09G
 15/0006

See application file for complete search history.

(56) **References Cited**

U.S. PATENT DOCUMENTS

D59,503 S 10/1921 Mendelsohn
 1,699,735 A * 1/1929 Dabrohua G09F 15/0056
 40/603
 2,704,974 A * 3/1955 Steman A47G 23/06
 206/518
 2,934,846 A * 5/1960 Stein G09F 15/0056
 40/603
 3,082,557 A * 3/1963 Huff B62B 3/1408
 40/308
 3,215,450 A 11/1965 Peterson
 3,758,972 A 9/1973 Egermayer
 D240,169 S * 6/1976 Summey D20/41
 4,271,619 A 6/1981 Schmidt
 4,437,839 A 3/1984 Stempel
 4,492,049 A 1/1985 Gaylor
 D290,554 S * 6/1987 Harwood D6/311
 4,731,960 A 3/1988 Sease
 4,967,988 A * 11/1990 Nguyen A47G 29/08
 224/277
 5,176,522 A 1/1993 Robertson
 D341,029 S * 11/1993 Ilaria D6/300
 5,301,477 A 4/1994 Rellinger
 D354,455 S 1/1995 Hosker
 D363,045 S 10/1995 Phillips
 5,727,952 A 3/1998 Schenck
 5,787,625 A * 8/1998 Yesbick G09F 15/0006
 40/124.5
 5,910,351 A 6/1999 Davis
 5,955,170 A 9/1999 Davis
 6,007,891 A 12/1999 Davis
 D434,083 S * 11/2000 Vance D20/42
 D434,452 S 11/2000 Steiner
 D436,128 S 1/2001 Keglmaier
 6,240,667 B1 * 6/2001 Harney B60N 3/004
 108/90
 D459,756 S 7/2002 Lio
 D475,818 S 6/2003 Krieger et al.

D505,018 S 5/2005 Stravitz
 7,055,275 B1 6/2006 Teza
 D527,034 S * 8/2006 Sprague D16/135
 D529,061 S * 9/2006 Sprague D16/135
 D530,926 S * 10/2006 Sellers D6/300
 7,117,998 B2 10/2006 Krapf
 D538,318 S * 3/2007 Sprague D16/130
 D538,320 S * 3/2007 Sprague D16/130
 7,195,491 B1 3/2007 Chen
 D540,548 S * 4/2007 Stravitz D6/310
 D553,366 S * 10/2007 Stengel D6/312
 7,528,328 B2 * 5/2009 Ball H05K 9/0067
 174/355
 D614,680 S * 4/2010 Tanbour D16/134
 D627,394 S 11/2010 Nakayama
 7,911,774 B2 * 3/2011 Nakanishi G02F 1/133308
 29/592.1
 D648,793 S 11/2011 Nash
 D649,195 S 11/2011 Yi
 8,196,326 B2 6/2012 Frey
 D668,715 S * 10/2012 Lieske D18/56
 D672,817 S 12/2012 Butmir
 D683,403 S 5/2013 Vasconcelos
 D684,379 S * 6/2013 Sim D6/300
 D687,493 S 8/2013 Rippinger
 D687,889 S * 8/2013 Rippinger D19/113
 8,622,750 B2 1/2014 Balint
 8,627,589 B2 1/2014 Pitcher
 8,672,687 B2 3/2014 Shanbour, II
 D709,554 S 7/2014 Kang
 8,872,772 B2 10/2014 Thompson
 D717,753 S 11/2014 Totsuka
 D802,506 S * 11/2017 Barga D12/193
 2009/0211134 A1 * 8/2009 Topcuoglu G09F 15/0012
 40/606.17
 2013/0323707 A1 12/2013 Lyons
 2016/0293066 A1 10/2016 Steer

OTHER PUBLICATIONS

Product name “Quartet Prestige Plus DuraMax Porcelain Whiteboard”, publicly available prior to Mar. 2, 2016, images available at <http://canadianofficesupplies.com/acco-brands-corporation/quartet-prestige-plus-duramaxporcelain-whiteboard/QRTP567T/p>.
 Product name “Quartet Infinity Magnetic White Glass Marker Board”, publicly available prior to Mar. 2, 2016, images available at <http://www.officedepot.com/a/products/190973/Quartet-Infinity-Magnetic-White-Glass-Marker/>.

* cited by examiner

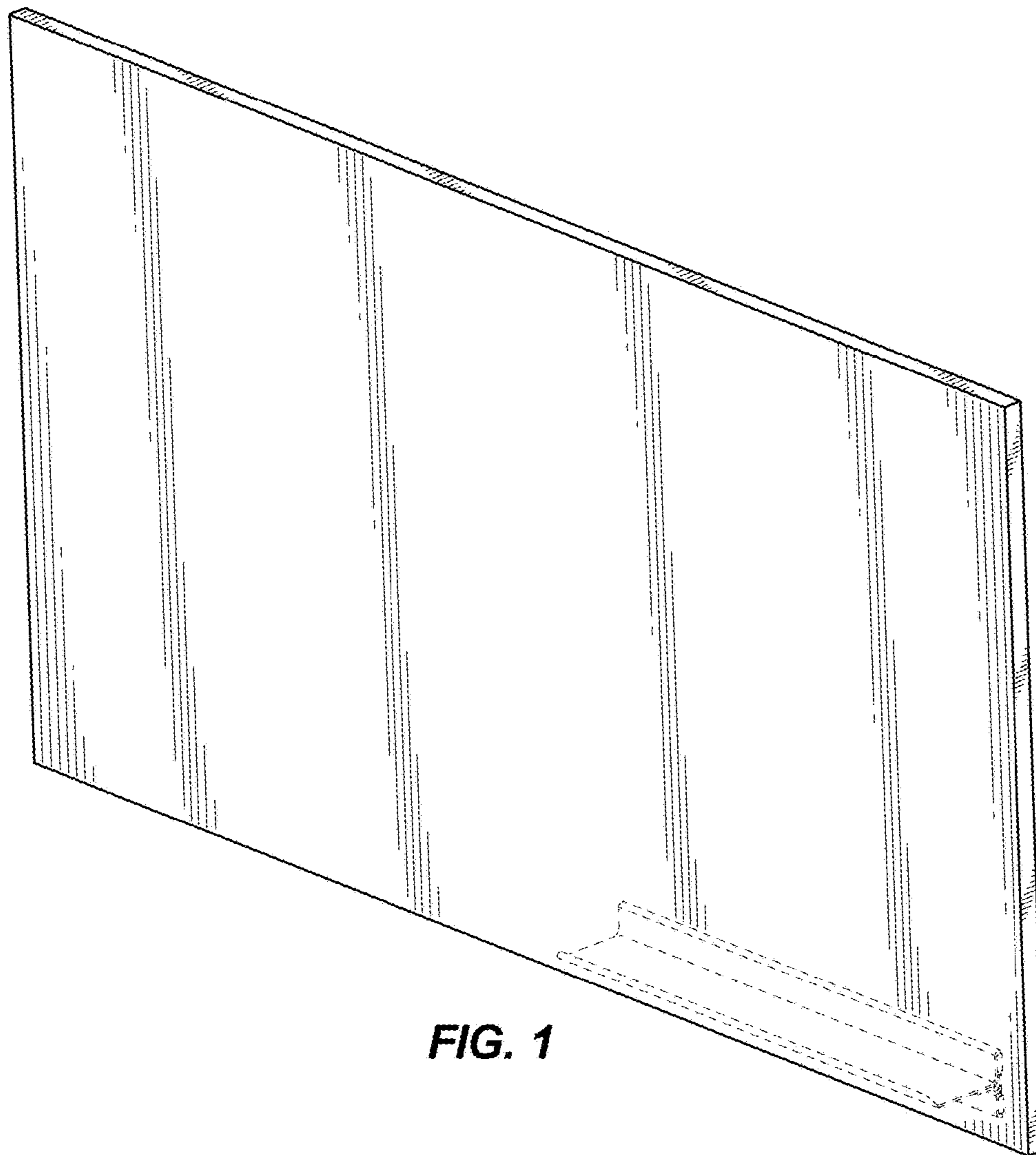


FIG. 1

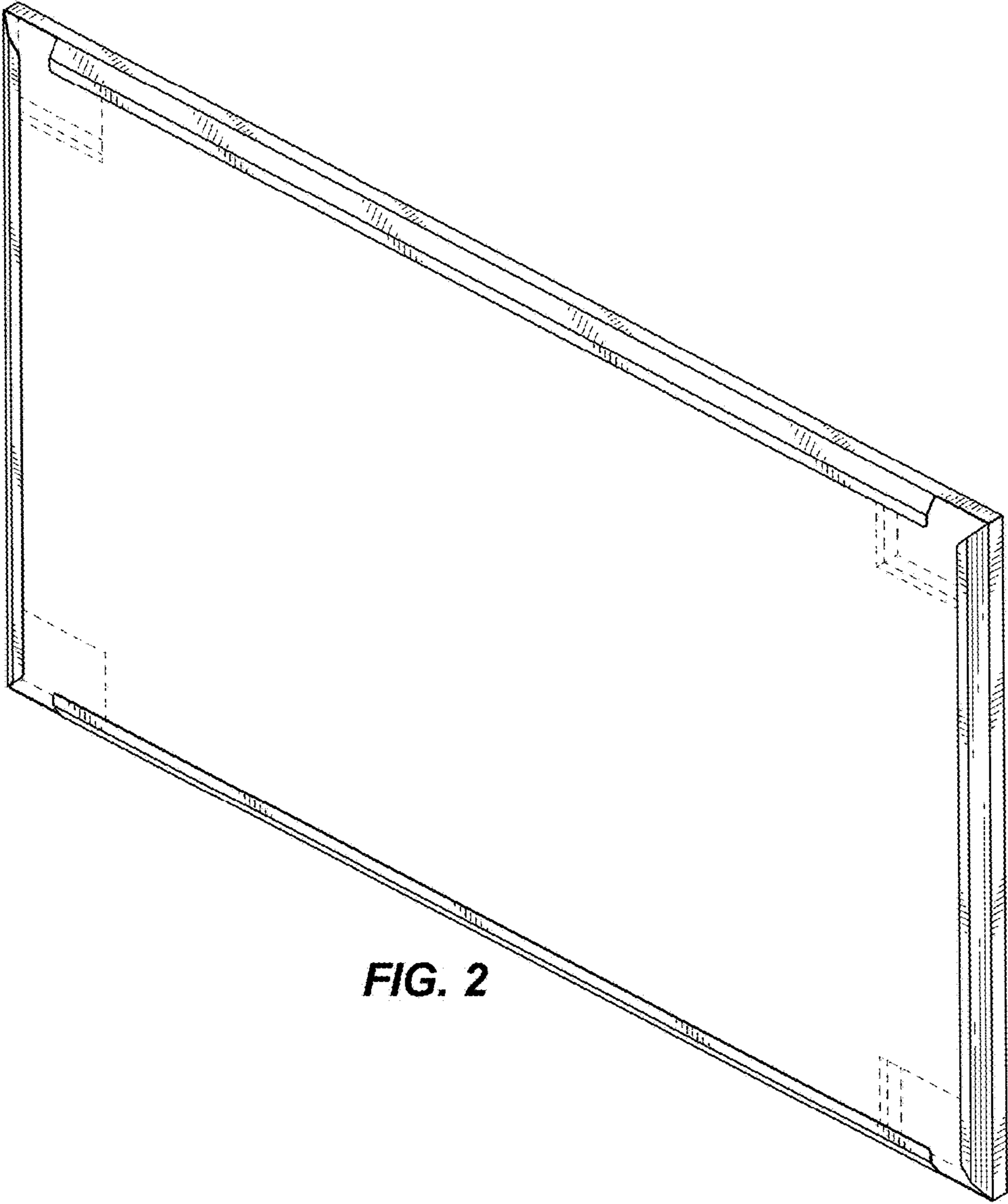


FIG. 2

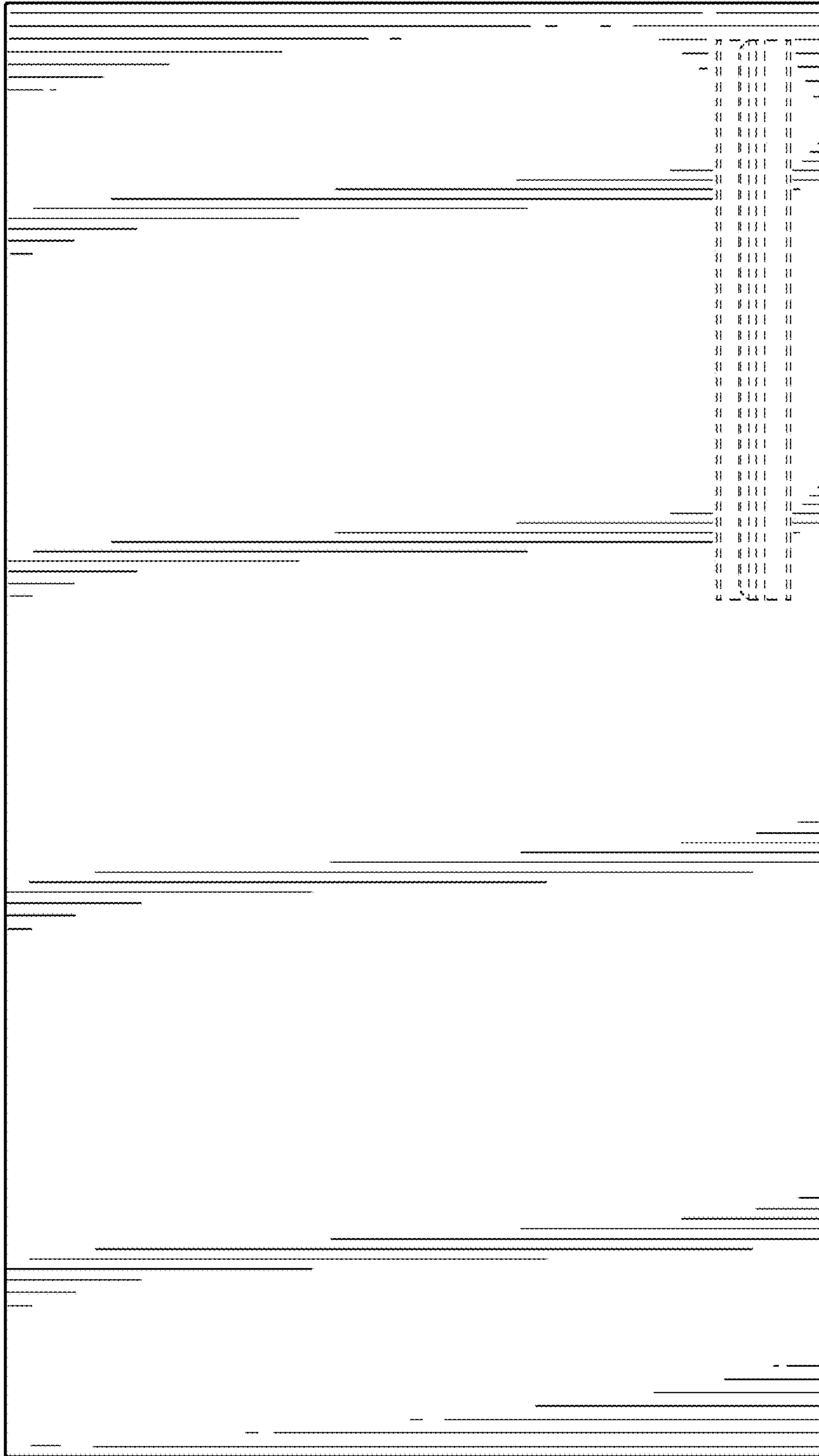


FIG. 3

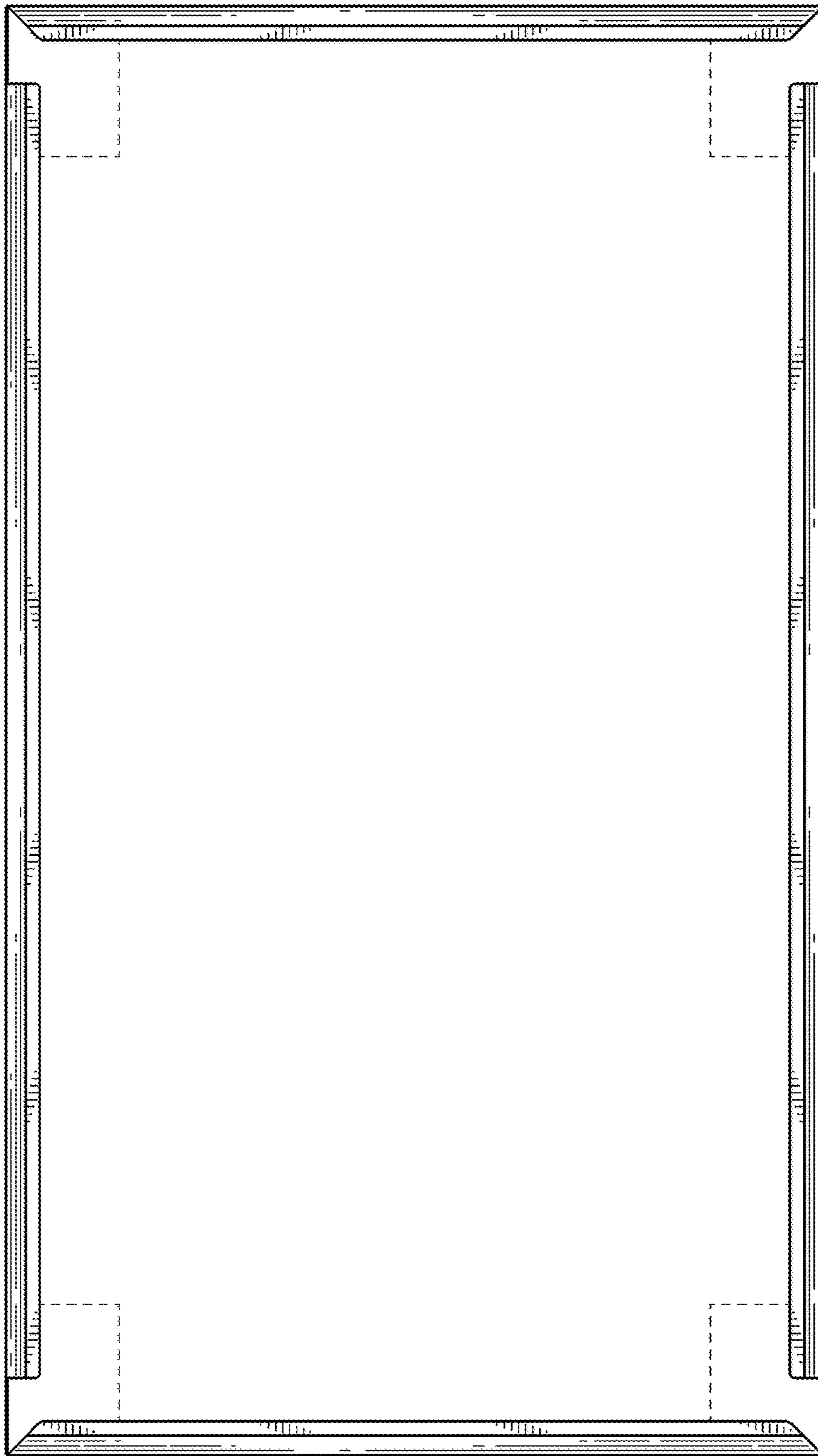


FIG. 4



FIG. 5

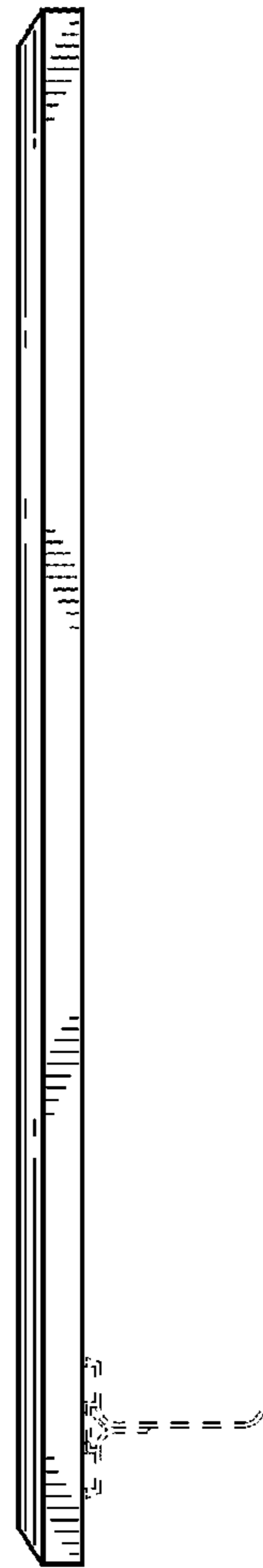


FIG. 6

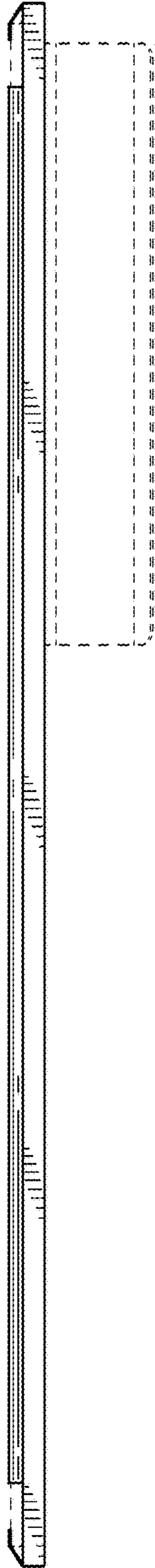


FIG. 7

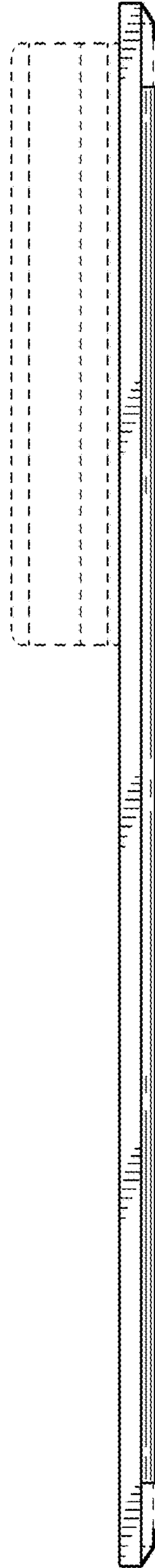


FIG. 8

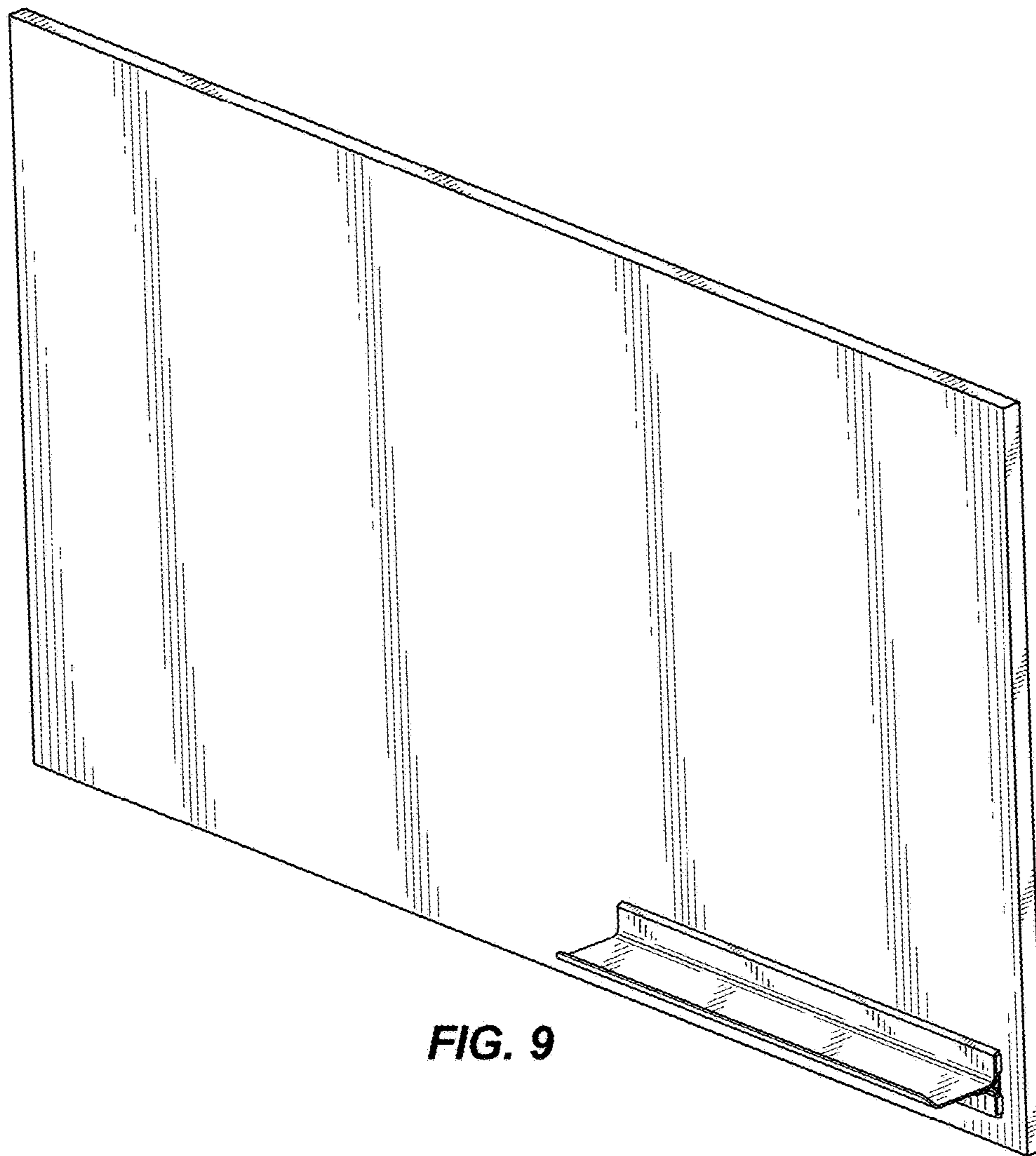


FIG. 9

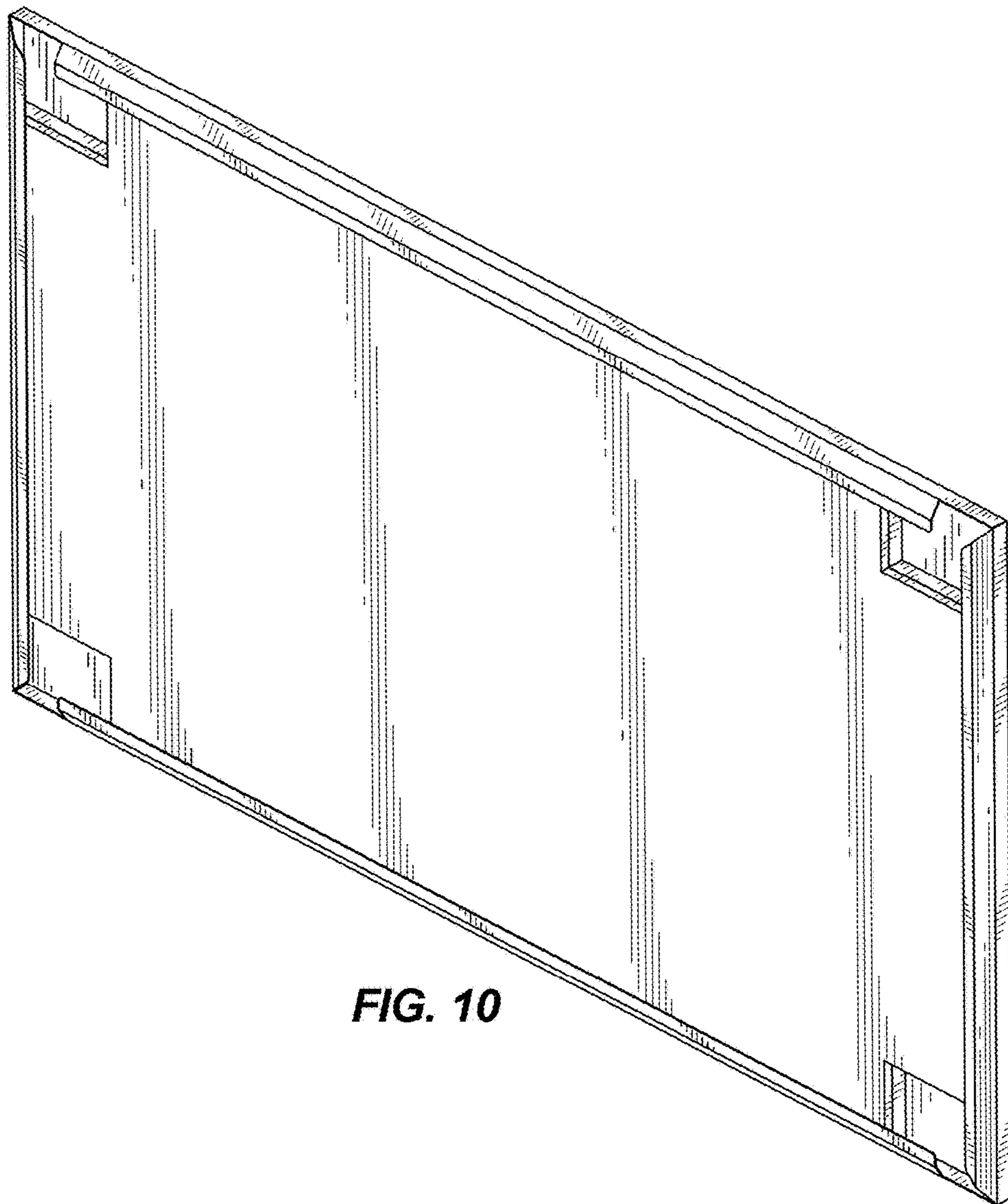


FIG. 10

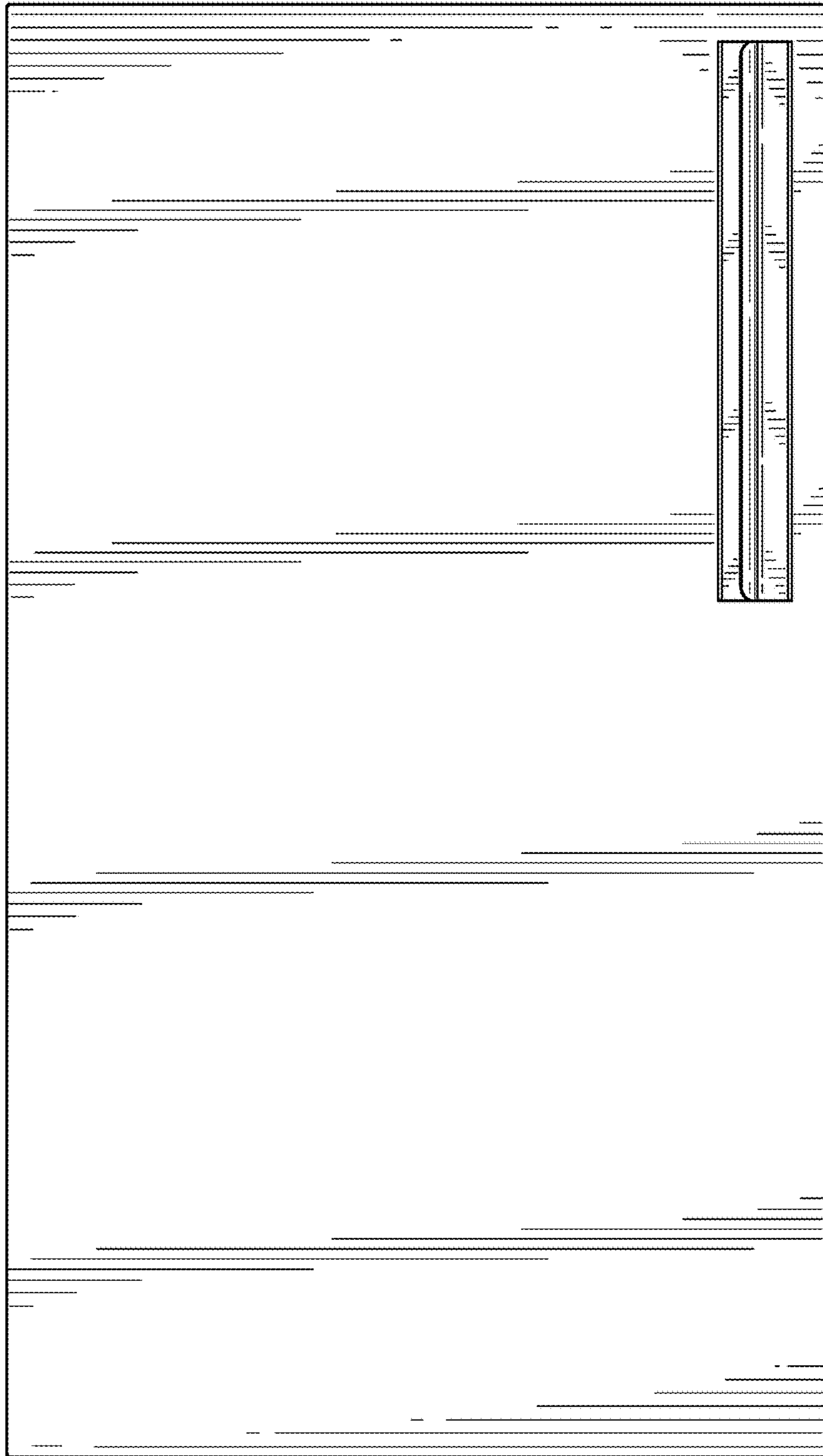


FIG. 11

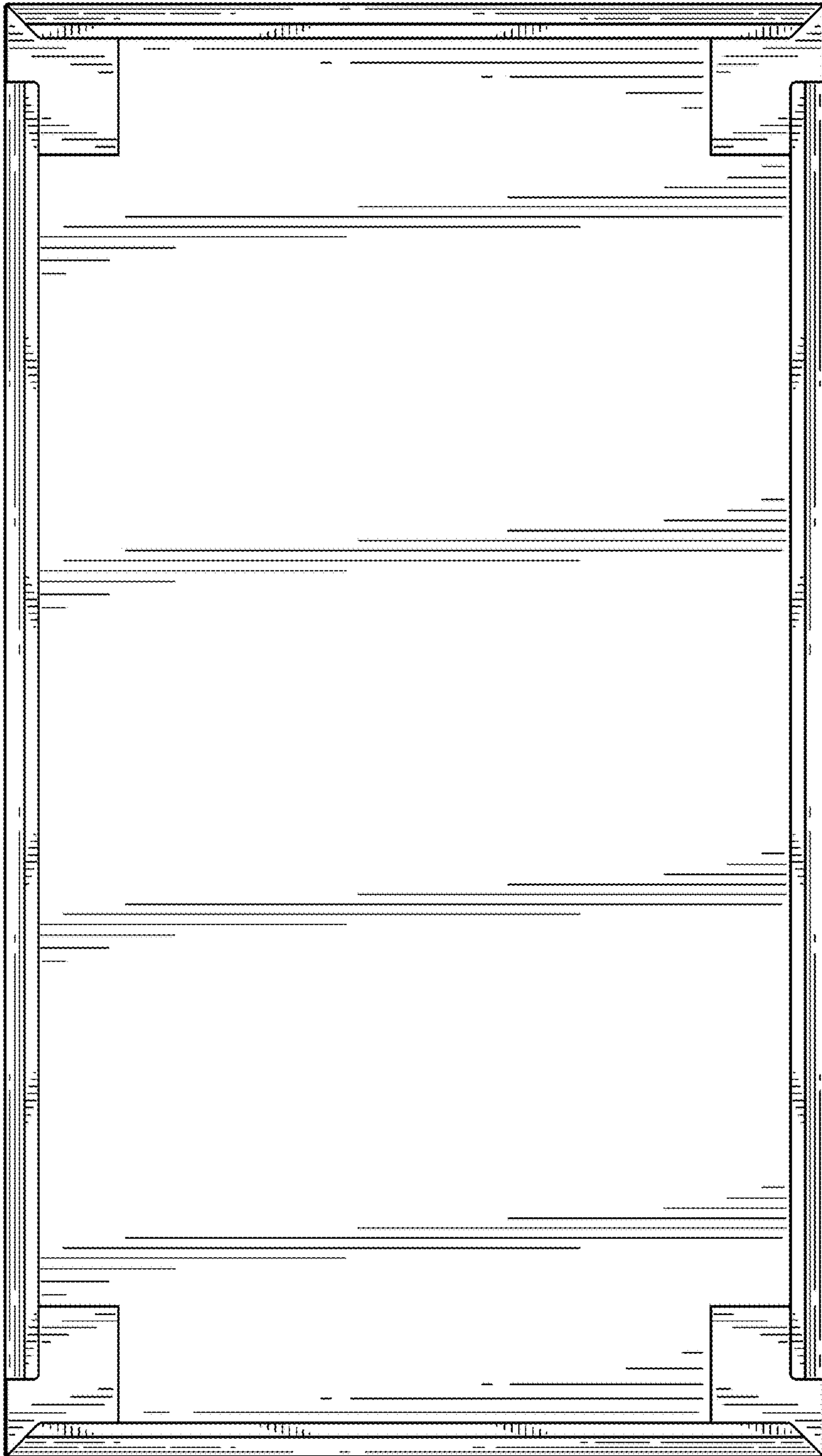


FIG. 12



FIG. 13

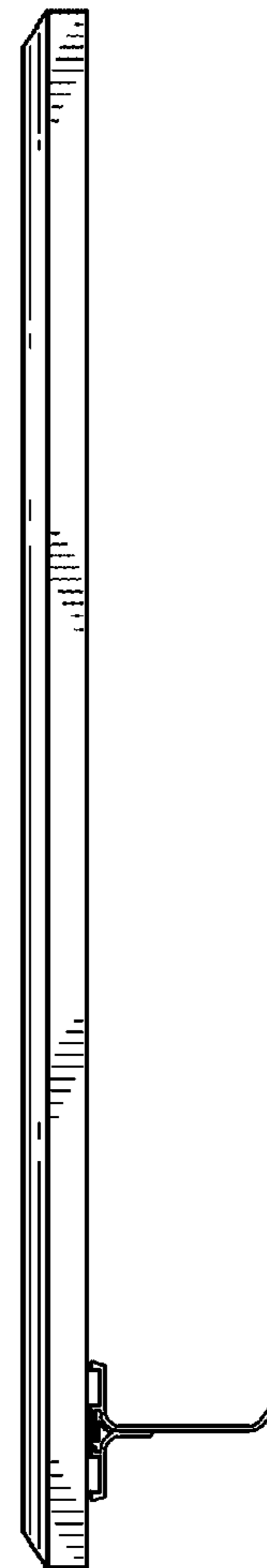


FIG. 14

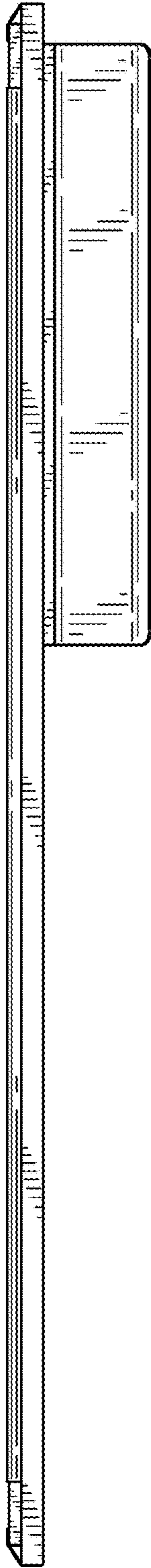


FIG. 15

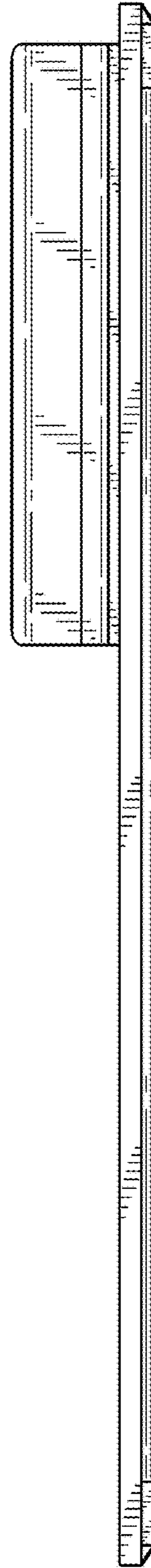


FIG. 16