



US00D832916S

(12) **United States Design Patent**  
**Yin et al.**

(10) **Patent No.:** **US D832,916 S**  
(45) **Date of Patent:** **\*\* Nov. 6, 2018**

(54) **MULTI-FUNCTION PRINTER**

(71) Applicant: **ZHUHAI PANTUM ELECTRONICS CO., LTD.**, Zhuhai (CN)

(72) Inventors: **Aiguo Yin**, Zhuhai (CN); **Changsheng Wang**, Zhuhai (CN); **Yang Li**, Zhuhai (CN); **Hongyu Yang**, Zhuhai (CN); **Chao Wang**, Zhuhai (CN); **Hongjun Xie**, Zhuhai (CN)

(73) Assignee: **ZHUHAI PANTUM ELECTRONICS CO., LTD.**, Zhuhai (CN)

(\*\*) Term: **15 Years**

(21) Appl. No.: **29/528,686**

(22) Filed: **May 29, 2015**

(30) **Foreign Application Priority Data**

Dec. 2, 2014 (CN) ..... 2014 3 0491993

(51) **LOC (11) Cl.** ..... **14-02**

(52) **U.S. Cl.**  
USPC ..... **D18/55**

(58) **Field of Classification Search**  
USPC ..... D18/14, 19, 36-39, 50, 54, 54.1, 55;  
D14/420-422, 424-425, 463-470  
CPC ... B41J 3/38; B41J 3/4075; B41J 11/48; B41J  
11/58; B41J 13/12; B41J 15/02; B41J  
15/042; B41J 17/00; B41J 29/02; B41J  
29/08

See application file for complete search history.

(56) **References Cited**

U.S. PATENT DOCUMENTS

D532,449 S *	11/2006	Tjin Wong Joe	.....	D18/55
D561,250 S *	2/2008	Smith	.....	D18/55
D614,693 S *	4/2010	Kato	.....	D18/50
D647,958 S *	11/2011	Yoshioka	.....	D18/50
D676,483 S *	2/2013	Kim	.....	D18/50

\* cited by examiner

*Primary Examiner* — Cathy Anne MacCormac

(74) *Attorney, Agent, or Firm* — WPAT, PC

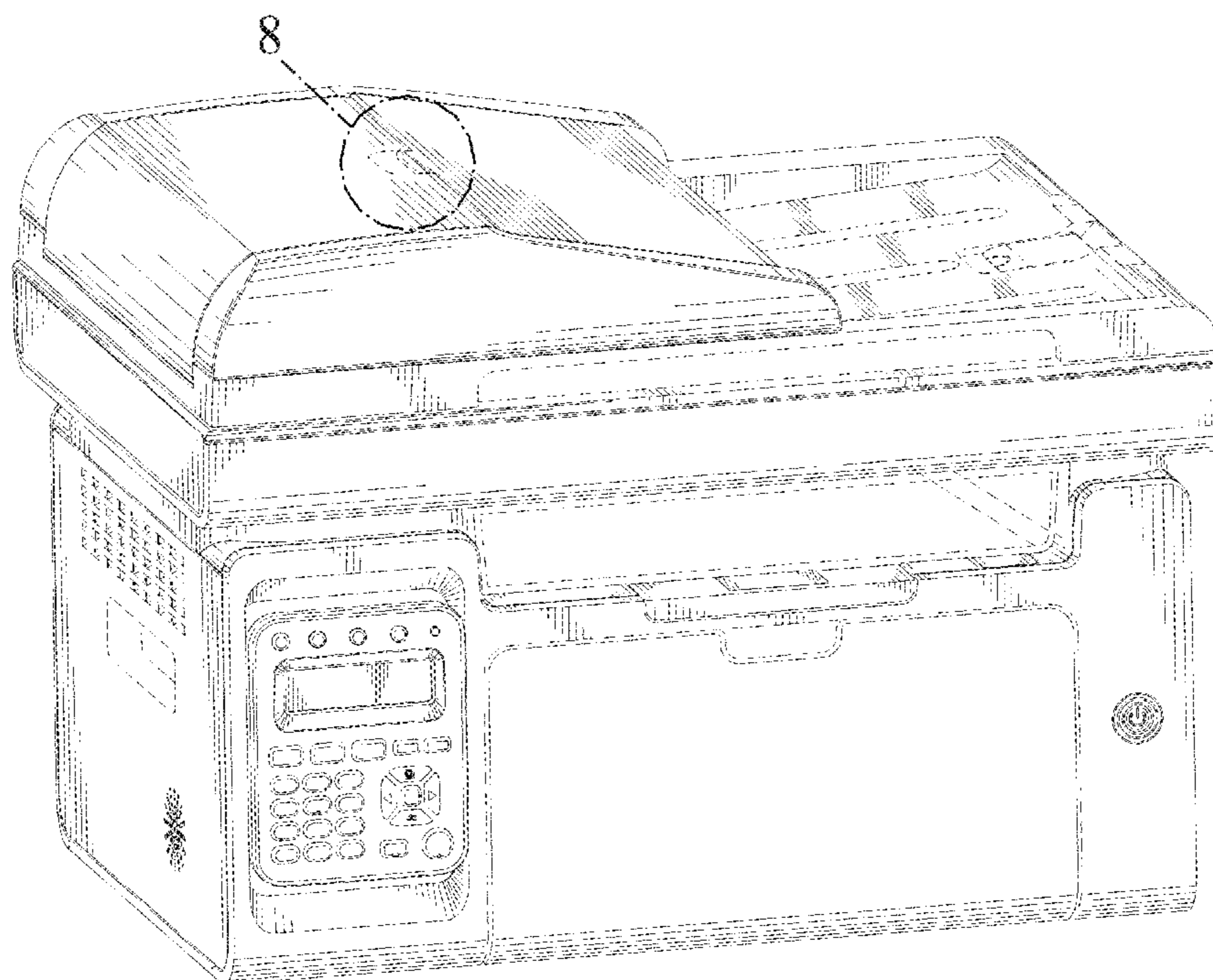
(57) **CLAIM**

The ornamental design for a multi-function printer, as shown and described.

**DESCRIPTION**

FIG. 1 is a perspective view of a multi-function printer; FIG. 2 is a front elevation view of the multi-function printer; FIG. 3 is a rear view of the multi-function printer; FIG. 4 is a left side view of the multi-function printer; FIG. 5 is a right side view of the multi-function printer; FIG. 6 is a top plan view of the multi-function printer; FIG. 7 is a bottom plan view of the multi-function printer; and, FIG. 8 is a detail view of the encircled portion on FIG. 1. The evenly spaced broken lines depict environmental subject matter and form no part of the claimed design. The line-dot-line broken line that encircles a portion of FIG. 1 and that surrounds the detail view on FIG. 8 forms no part of the claimed design.

**1 Claim, 8 Drawing Sheets**



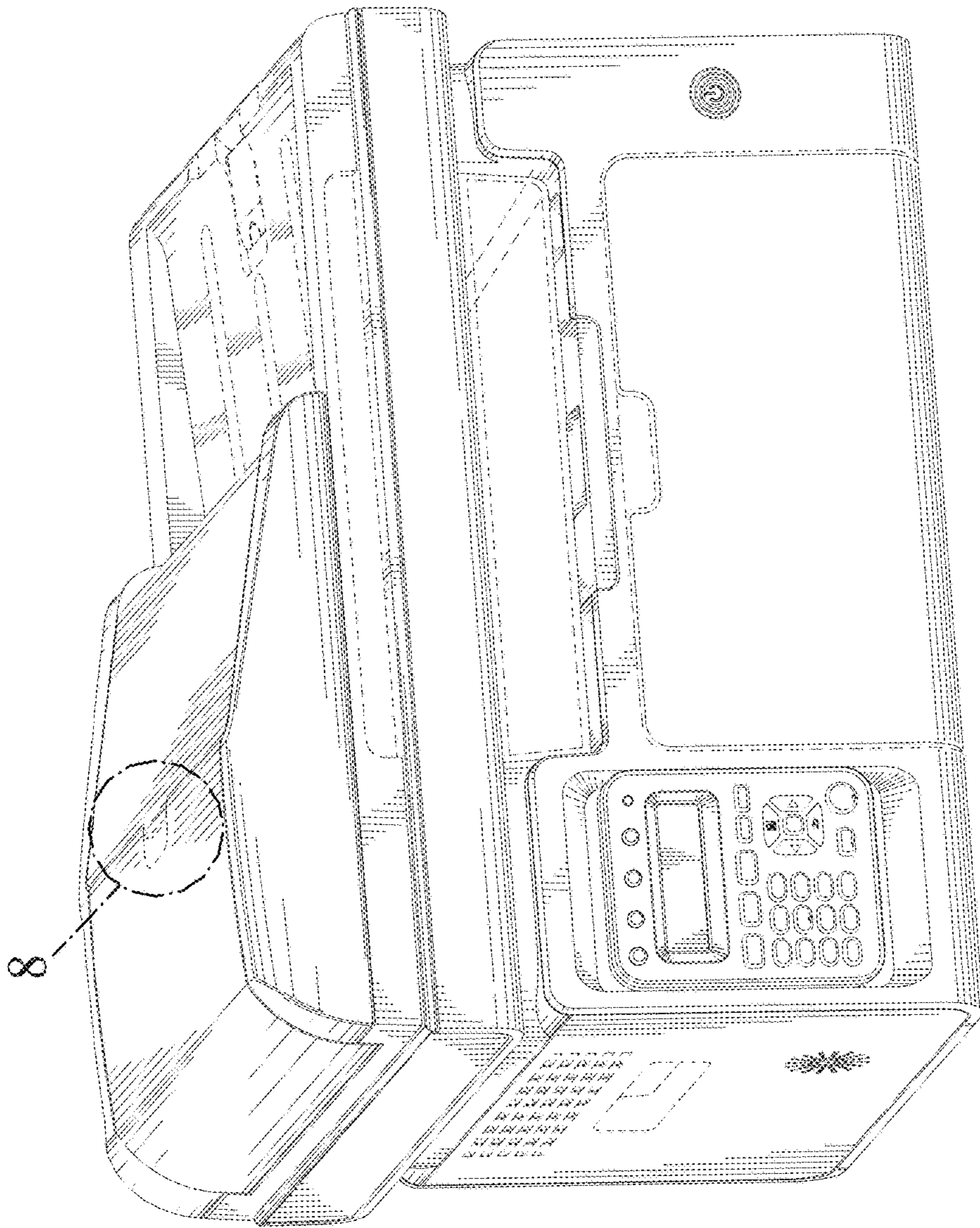


FIG. 1

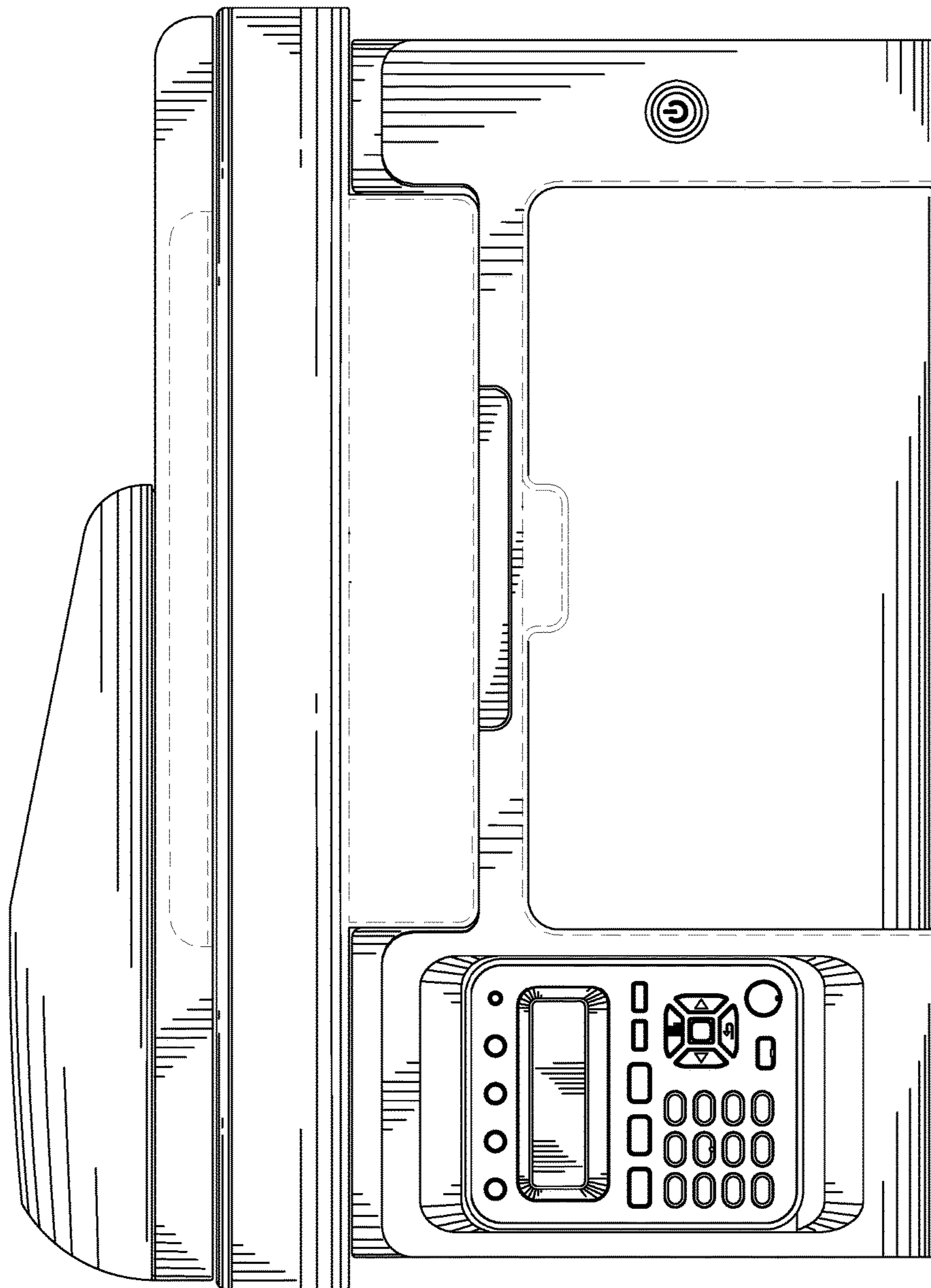


FIG. 2

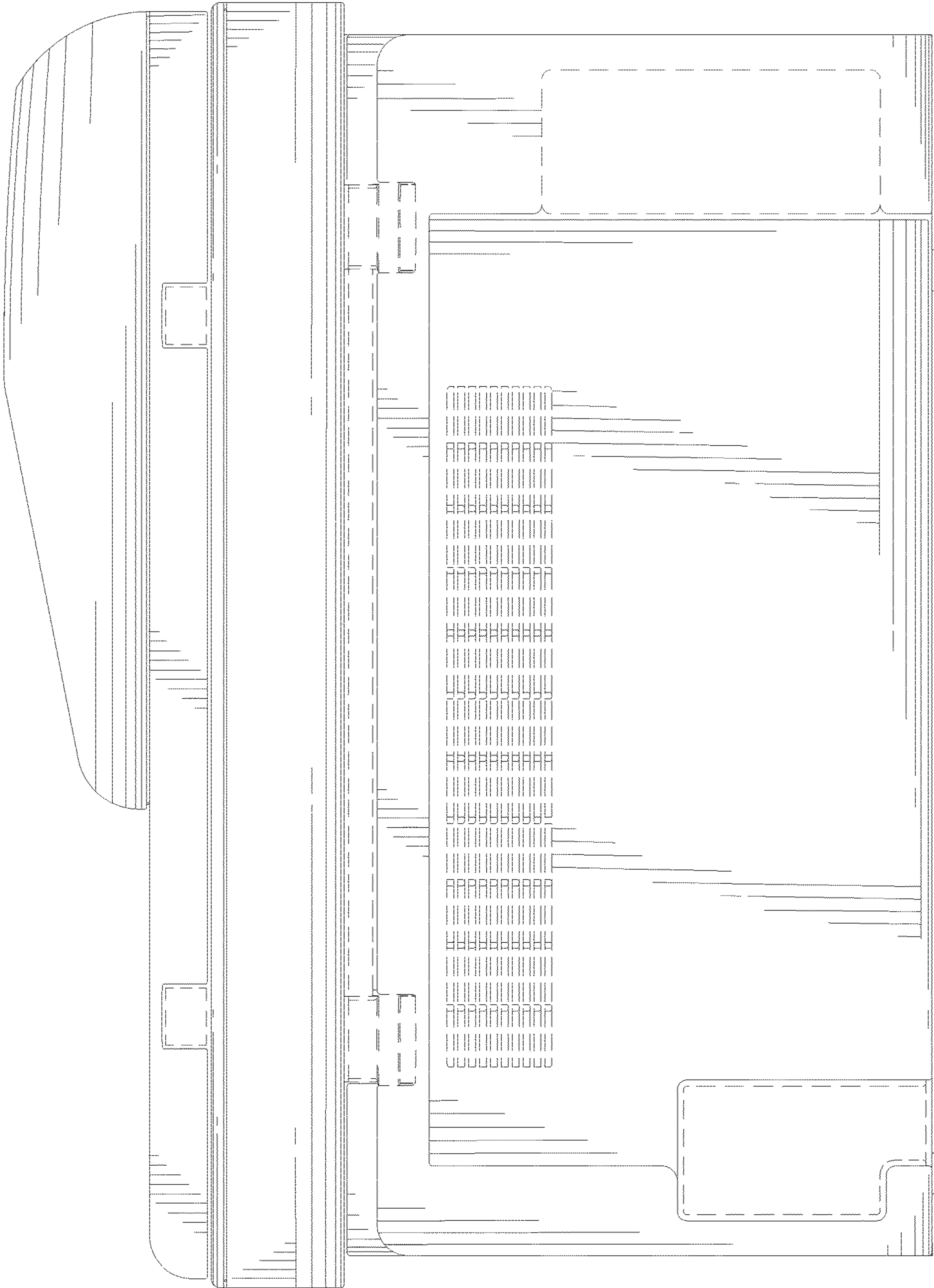


FIG. 3

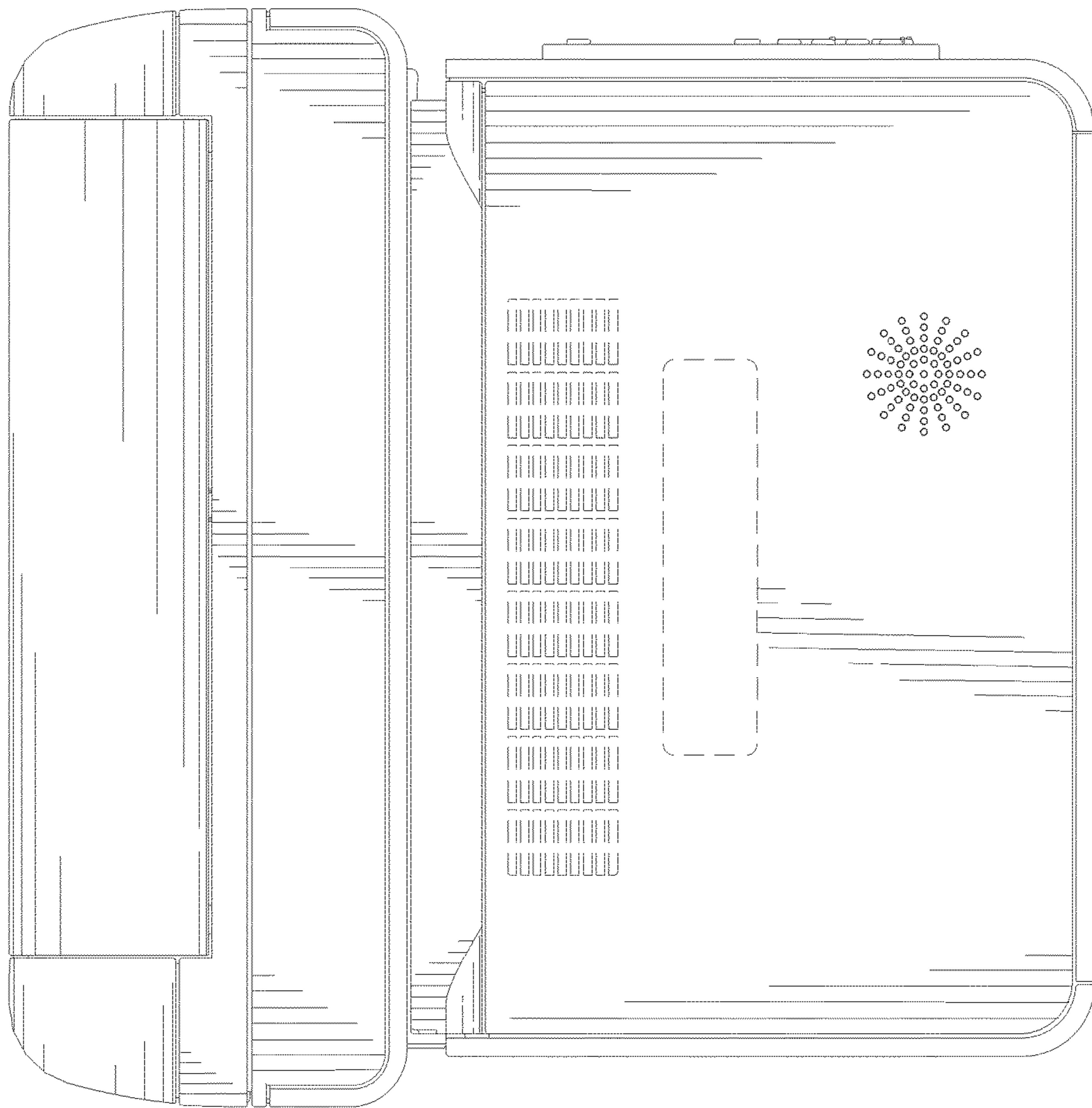


FIG. 4

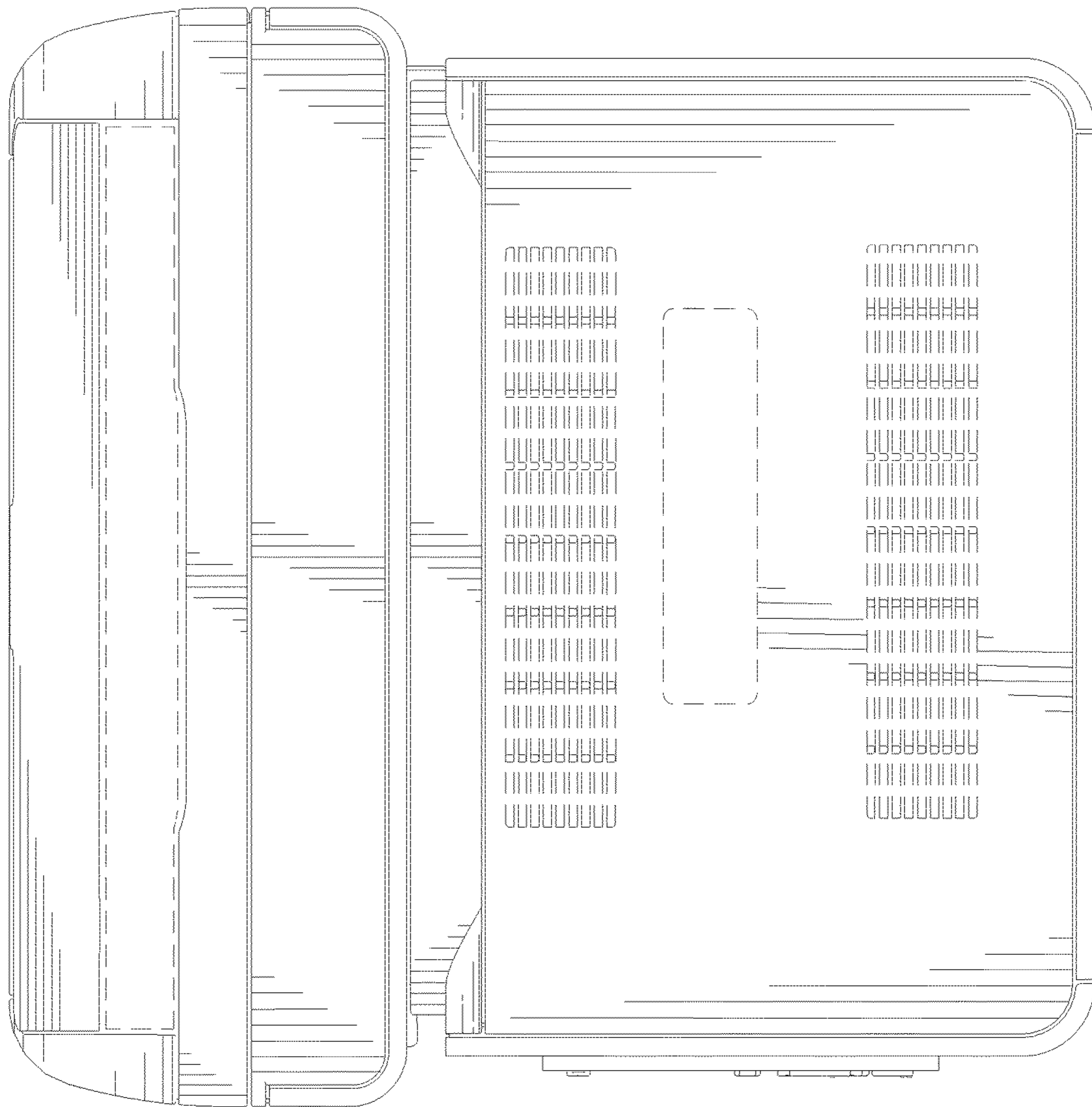


FIG. 5

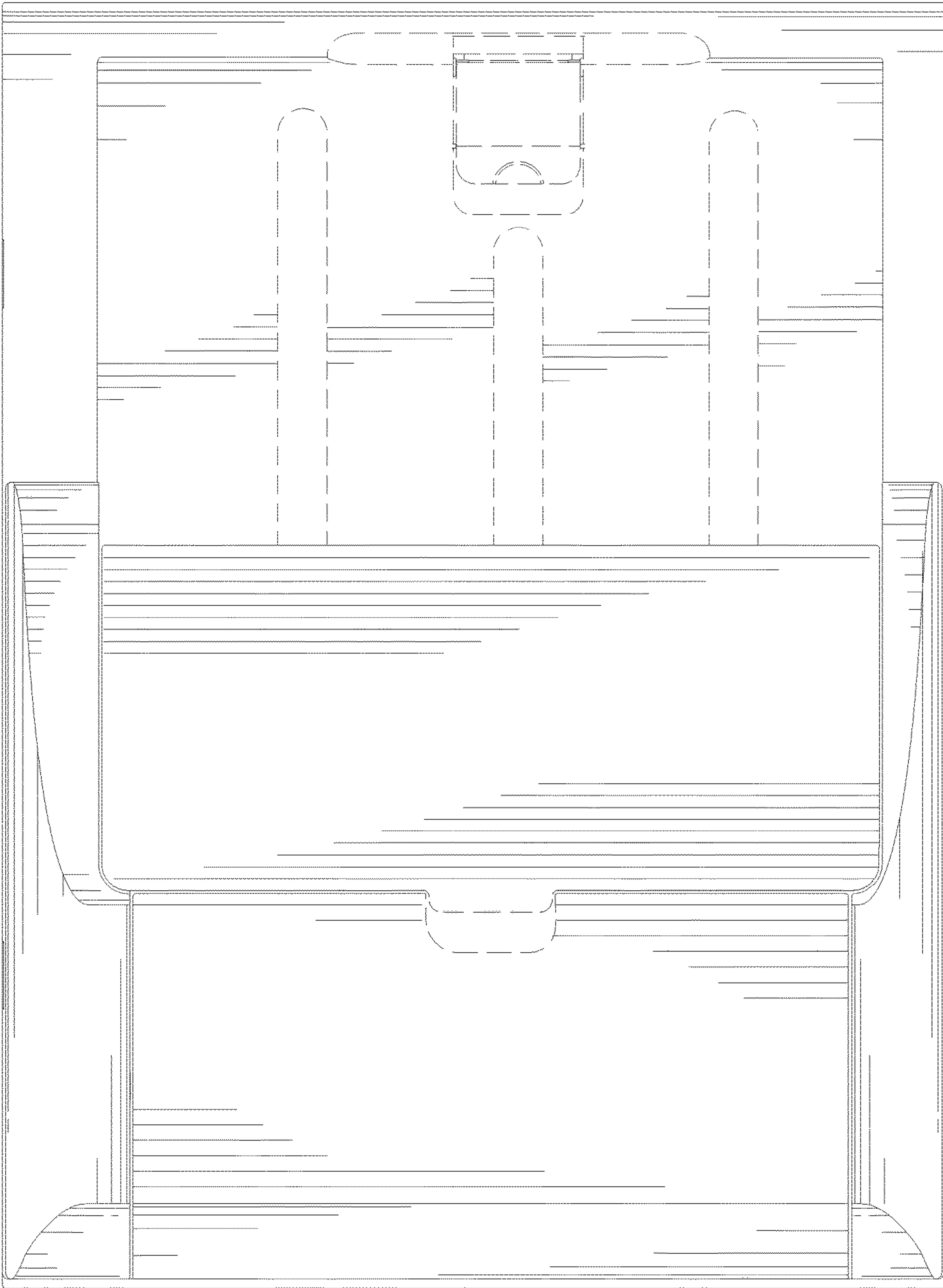


FIG. 6

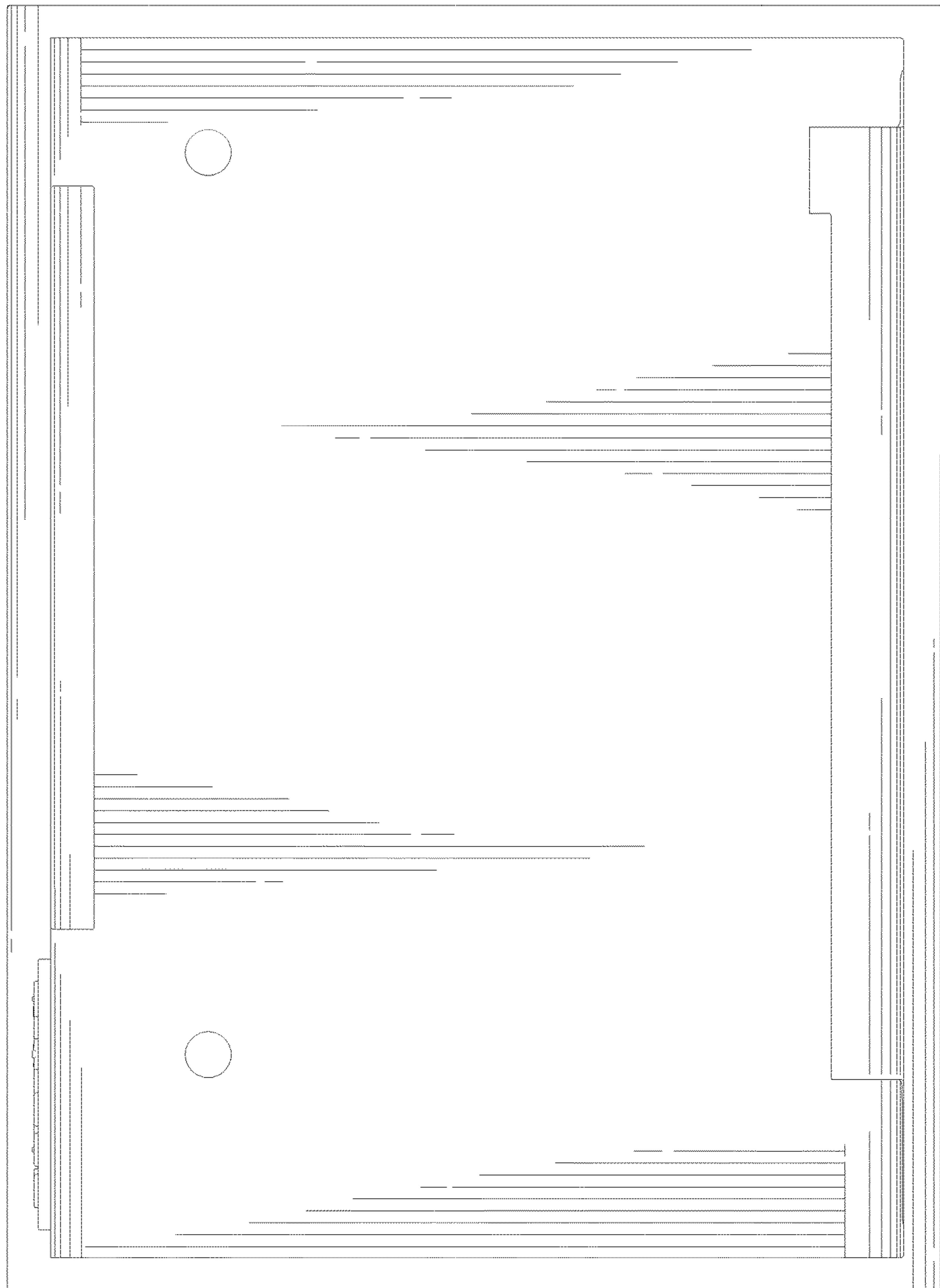


FIG. 7



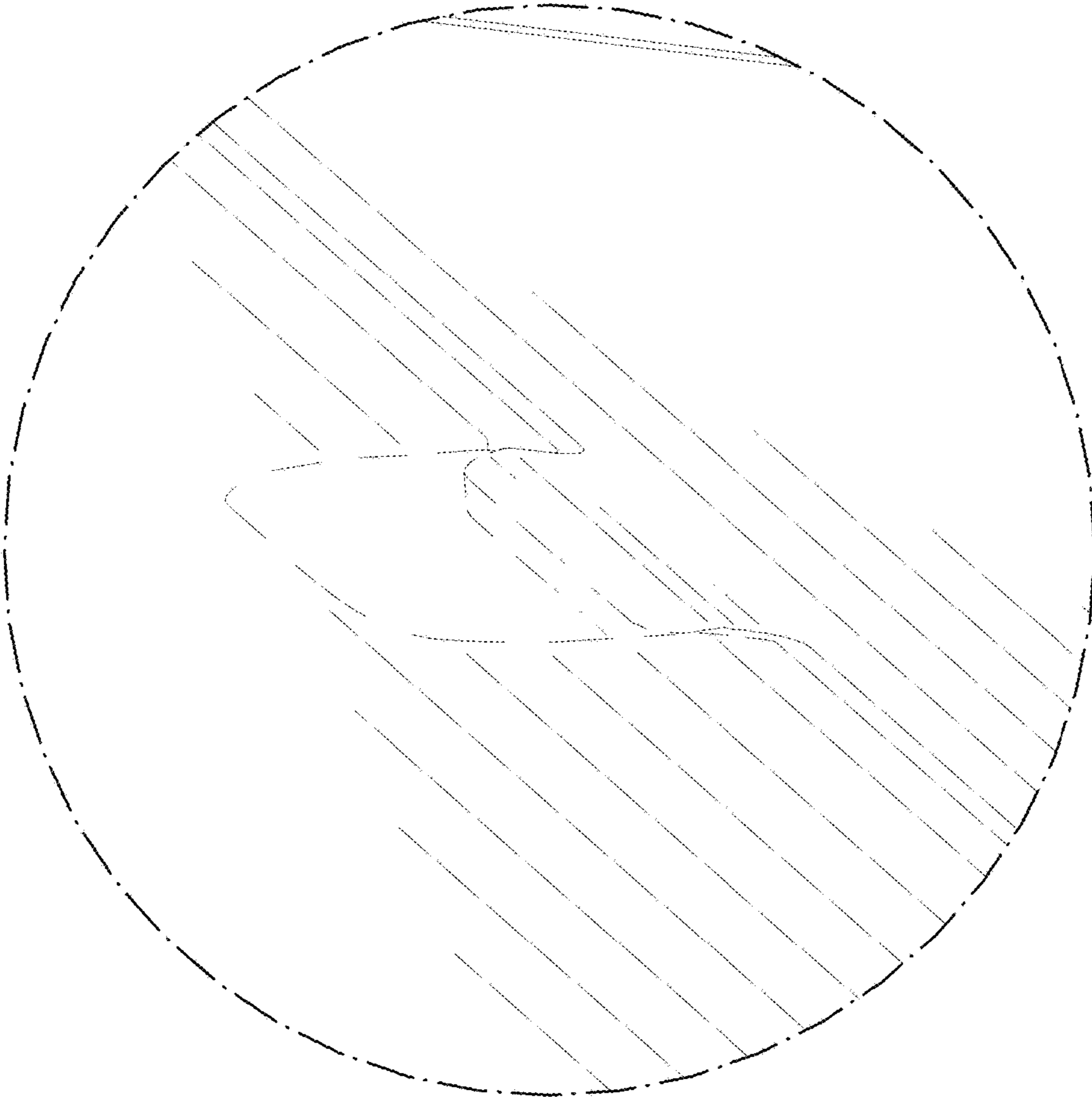


FIG. 8