



US00D832915S

(12) **United States Design Patent**
Gumbe

(10) **Patent No.:** **US D832,915 S**

(45) **Date of Patent:** **** Nov. 6, 2018**

(54) **PROCESS UNIT**

(71) Applicant: **TOSHIBA TEC KABUSHIKI KAISHA**, Tokyo (JP)

(72) Inventor: **Eiji Gumbe**, Kanagawa-ken (JP)

(73) Assignee: **TOSHIBA TEC KABUSHIKI KAISHA**, Tokyo (JP)

(**) Term: **15 Years**

(21) Appl. No.: **29/541,880**

(22) Filed: **Oct. 8, 2015**

Related U.S. Application Data

(63) Continuation of application No. 29/447,874, filed on Mar. 7, 2013, now abandoned.

(30) **Foreign Application Priority Data**

Oct. 30, 2012 (JP) D2012-26310

(51) **LOC (11) Cl.** **16-03**

(52) **U.S. Cl.**
USPC **D18/43**

(58) **Field of Classification Search**

USPC D18/12, 36, 40, 43-44, 54, 56; D14/471;
347/49-50, 197, 222; 399/11, 92, 106,
399/110-111, 113, 119-120, 127, 159,
399/230, 254-255, 258, 350, 353
CPC G03G 15/60; G03G 15/65; G03G 21/12;
G03G 21/105; G03G 21/0011; G03G
21/1647

See application file for complete search history.

(56) **References Cited**

U.S. PATENT DOCUMENTS

D423,559 S * 4/2000 Suzuki D18/40
D531,661 S * 11/2006 Ishii D18/43

7,333,751 B2 * 2/2008 Gumbe G03G 21/1828
399/110
7,529,497 B2 * 5/2009 Hasebe G03G 15/0225
399/100
D596,663 S * 7/2009 Kamimura D18/43
D637,225 S * 5/2011 Kishi D18/43
D652,862 S * 1/2012 Mori D18/43
D694,815 S * 12/2013 Fukamachi D18/43
8,755,719 B2 * 6/2014 Poterjoy G03G 15/0889
399/254
D718,381 S * 11/2014 Itabashi D18/43
D736,308 S * 8/2015 Han D18/43
D765,164 S * 8/2016 Park D18/43

(Continued)

Primary Examiner — Eric L Goodman

Assistant Examiner — Amy C Wierenga

(74) *Attorney, Agent, or Firm* — Foley & Lardner LLP

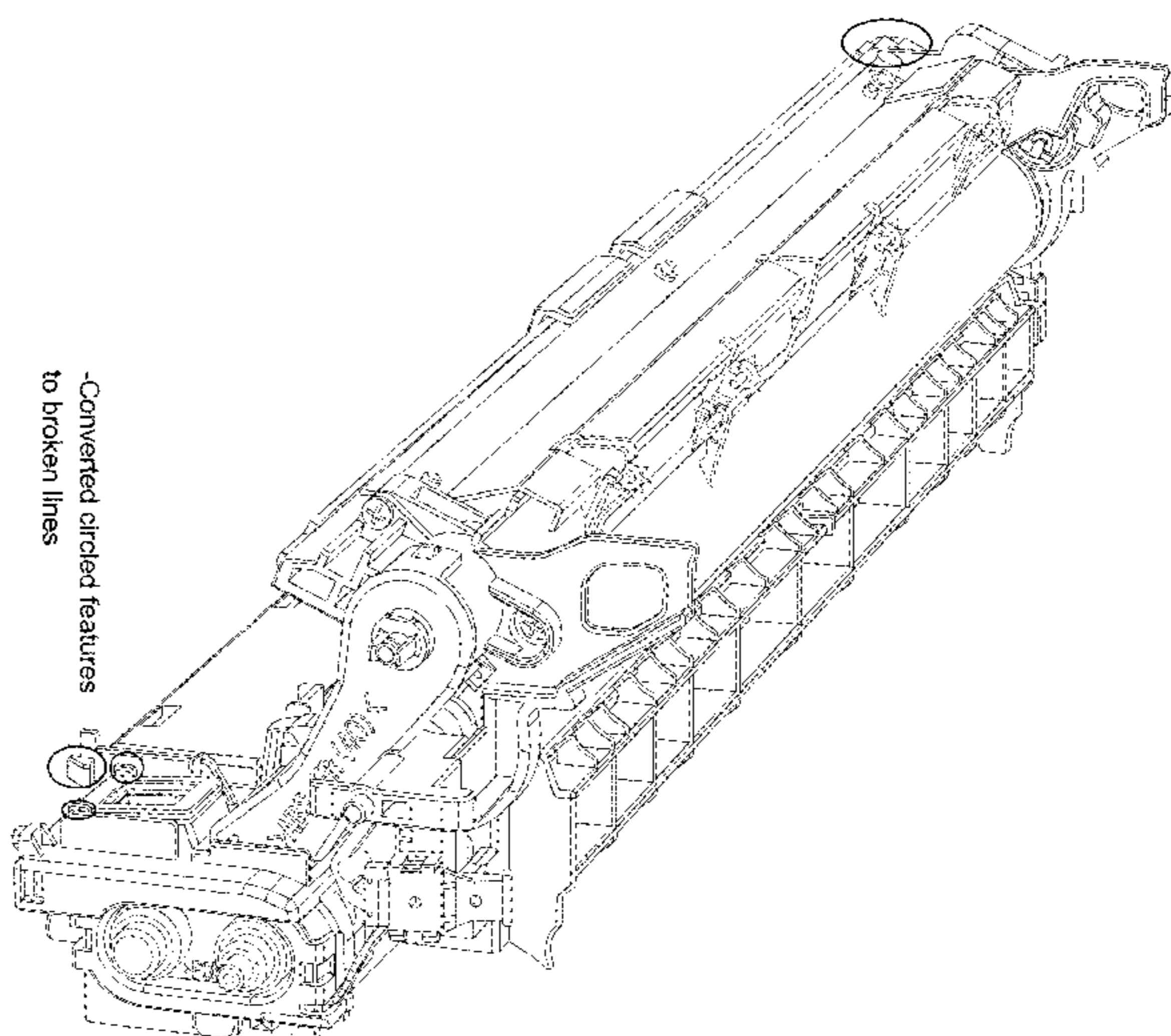
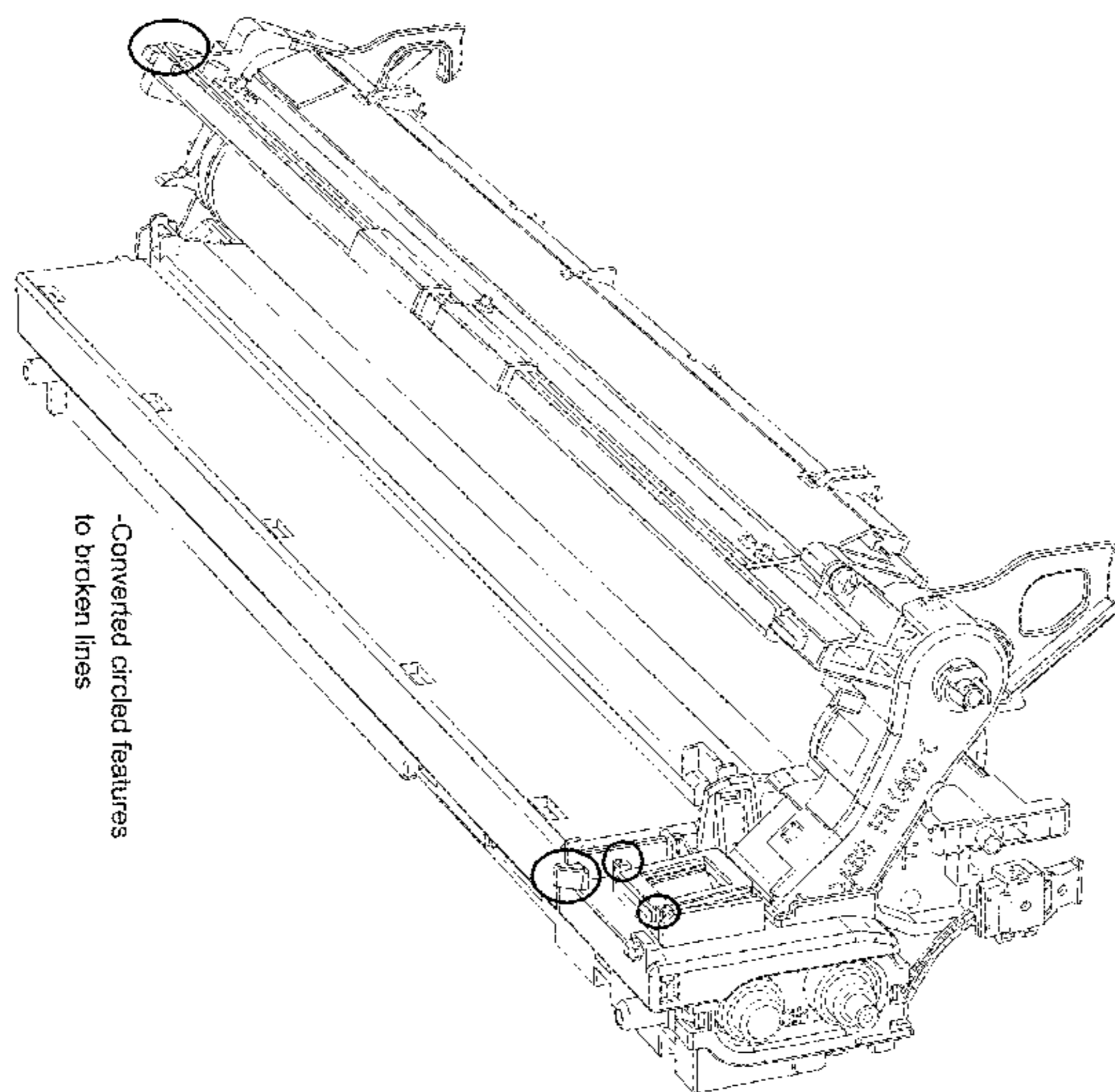
(57) **CLAIM**

The ornamental design for a process unit, as shown and described.

DESCRIPTION

FIG. 1 is a front, top, and right side perspective view of a process unit showing my new design;
FIG. 2 is a rear, top, and right side perspective view thereof;
FIG. 3 is a rear, top, and left side perspective view thereof;
FIG. 4 is a front, top, and left side perspective view thereof;
FIG. 5 is a top view thereof;
FIG. 6 is a bottom view thereof;
FIG. 7 is a front view thereof;
FIG. 8 is a rear view thereof;
FIG. 9 is a right side view thereof; and,
FIG. 10 is a left side view thereof.
The broken lines depict environmental subject matter and form no part of the claimed design.

1 Claim, 8 Drawing Sheets



(56)

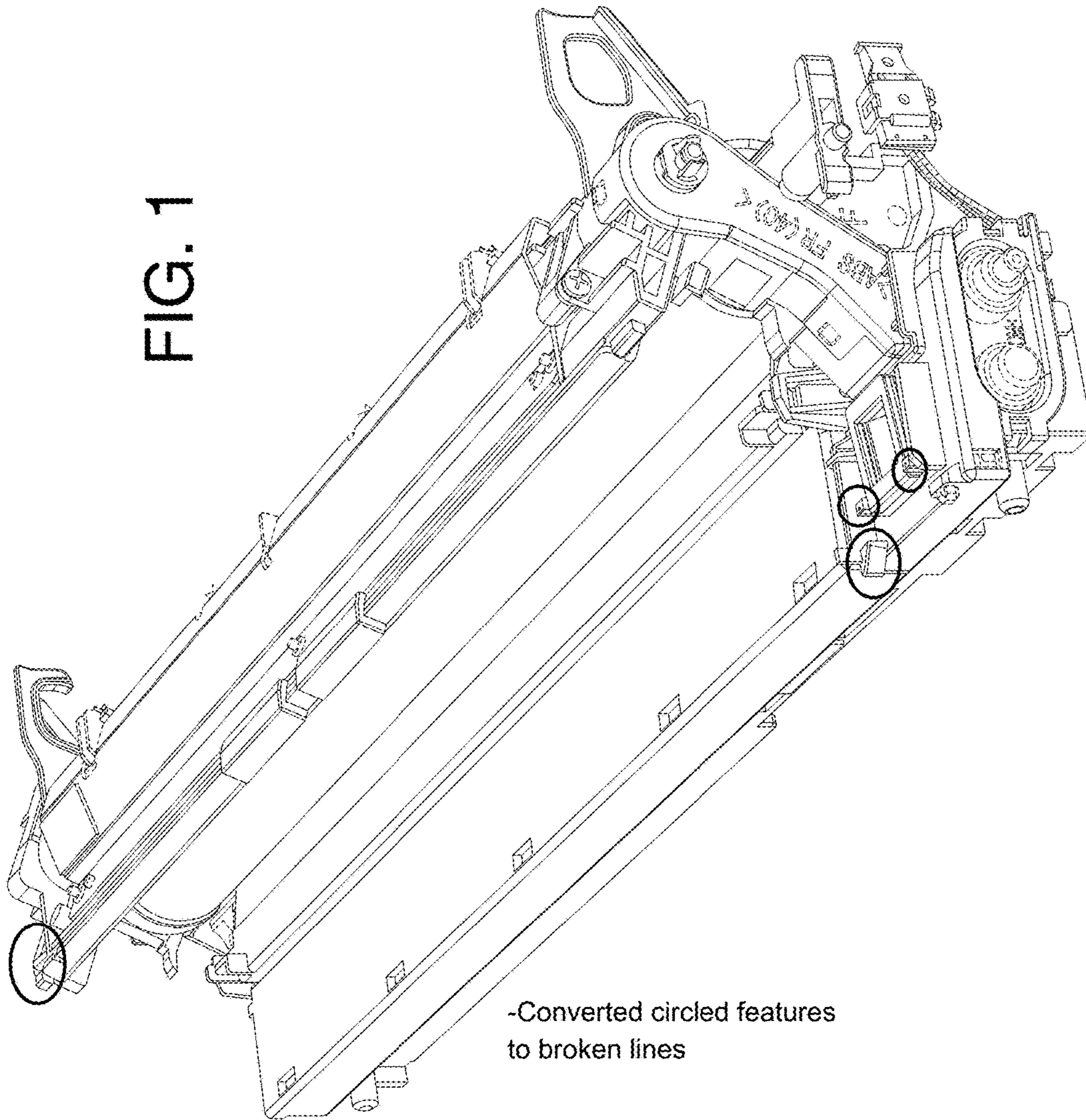
References Cited

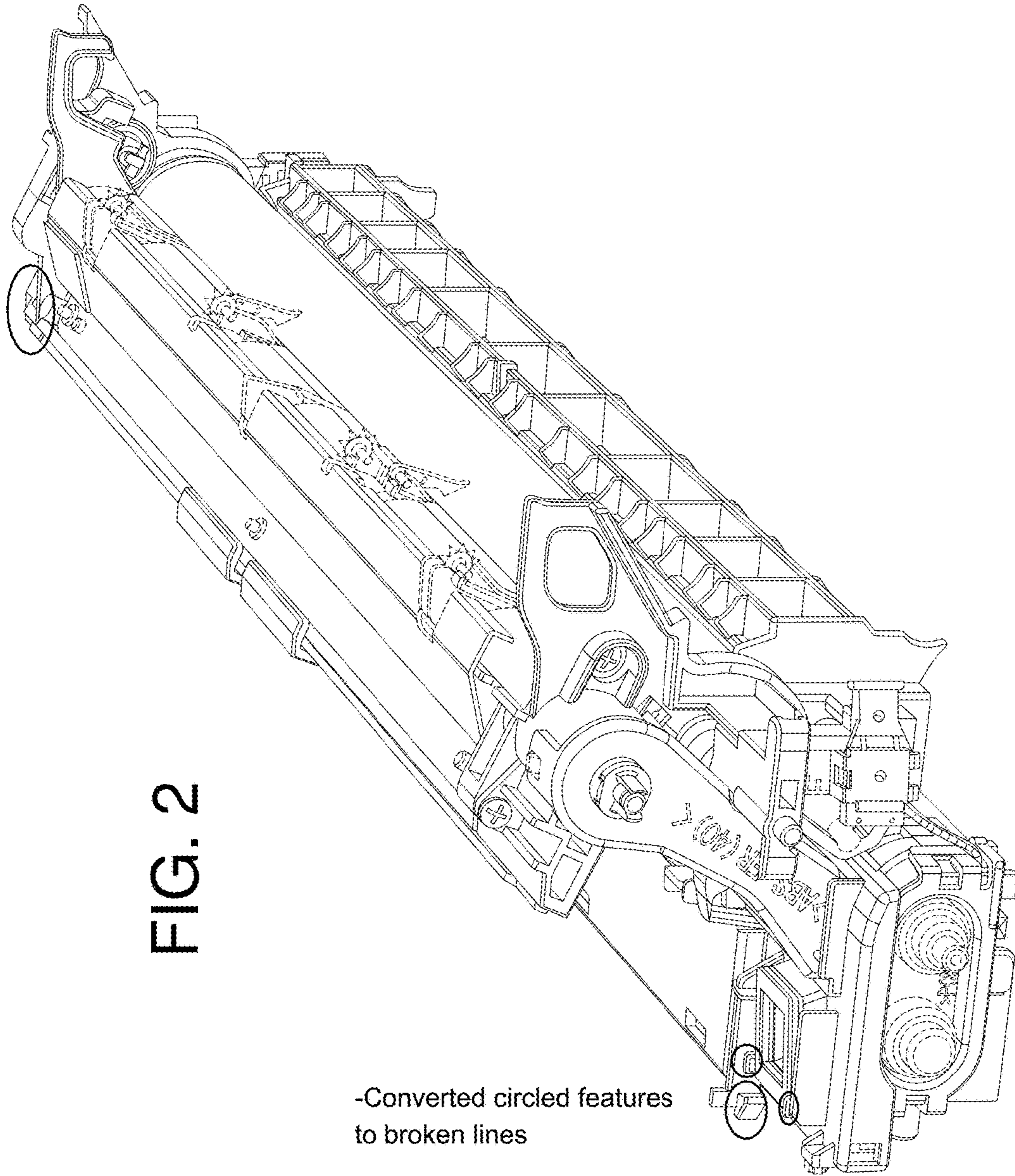
U.S. PATENT DOCUMENTS

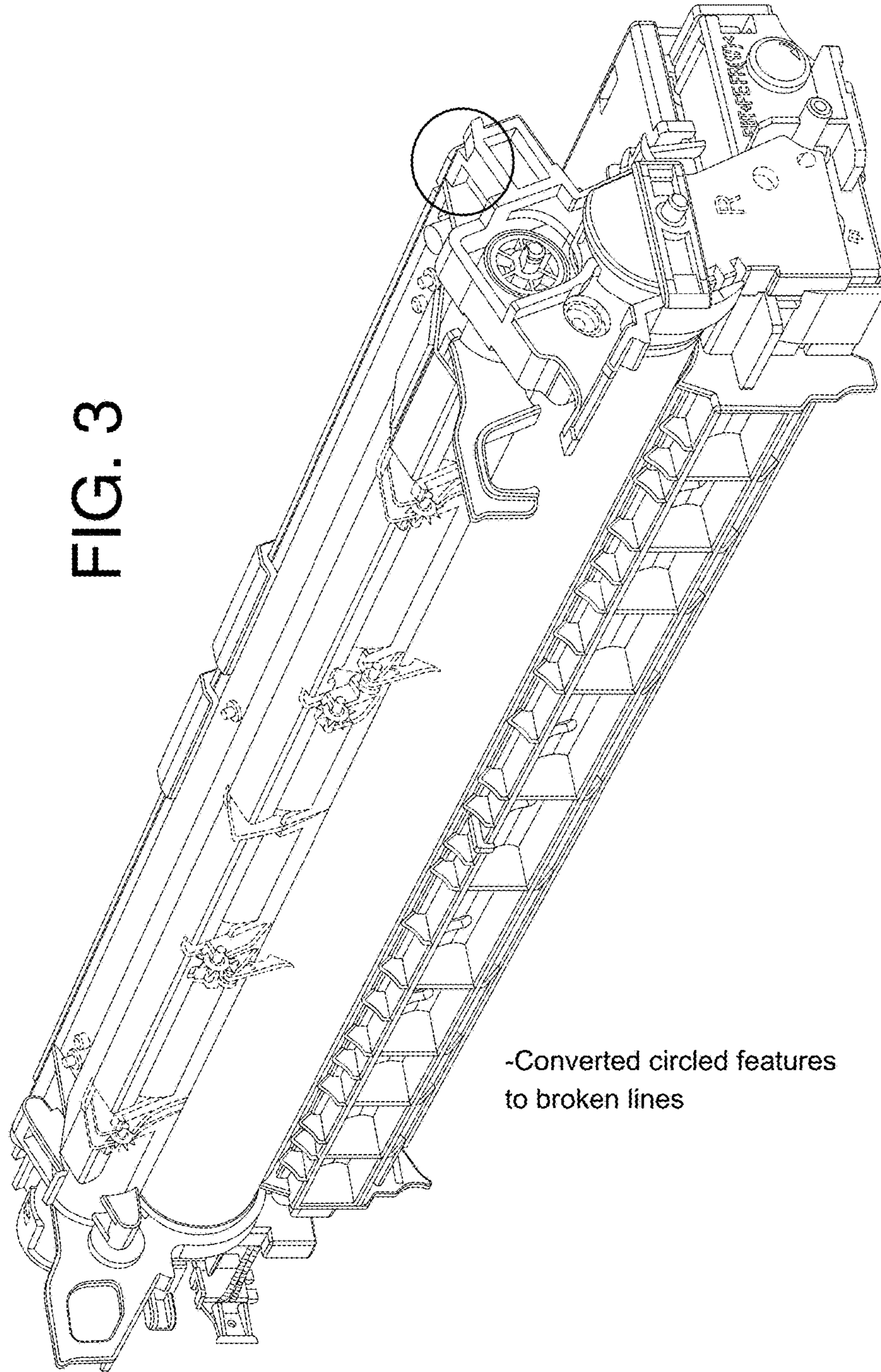
2011/0255901 A1* 10/2011 Xu G03G 15/0817
399/119
2014/0112684 A1* 4/2014 Amano G03G 21/1817
399/111

* cited by examiner

FIG. 1







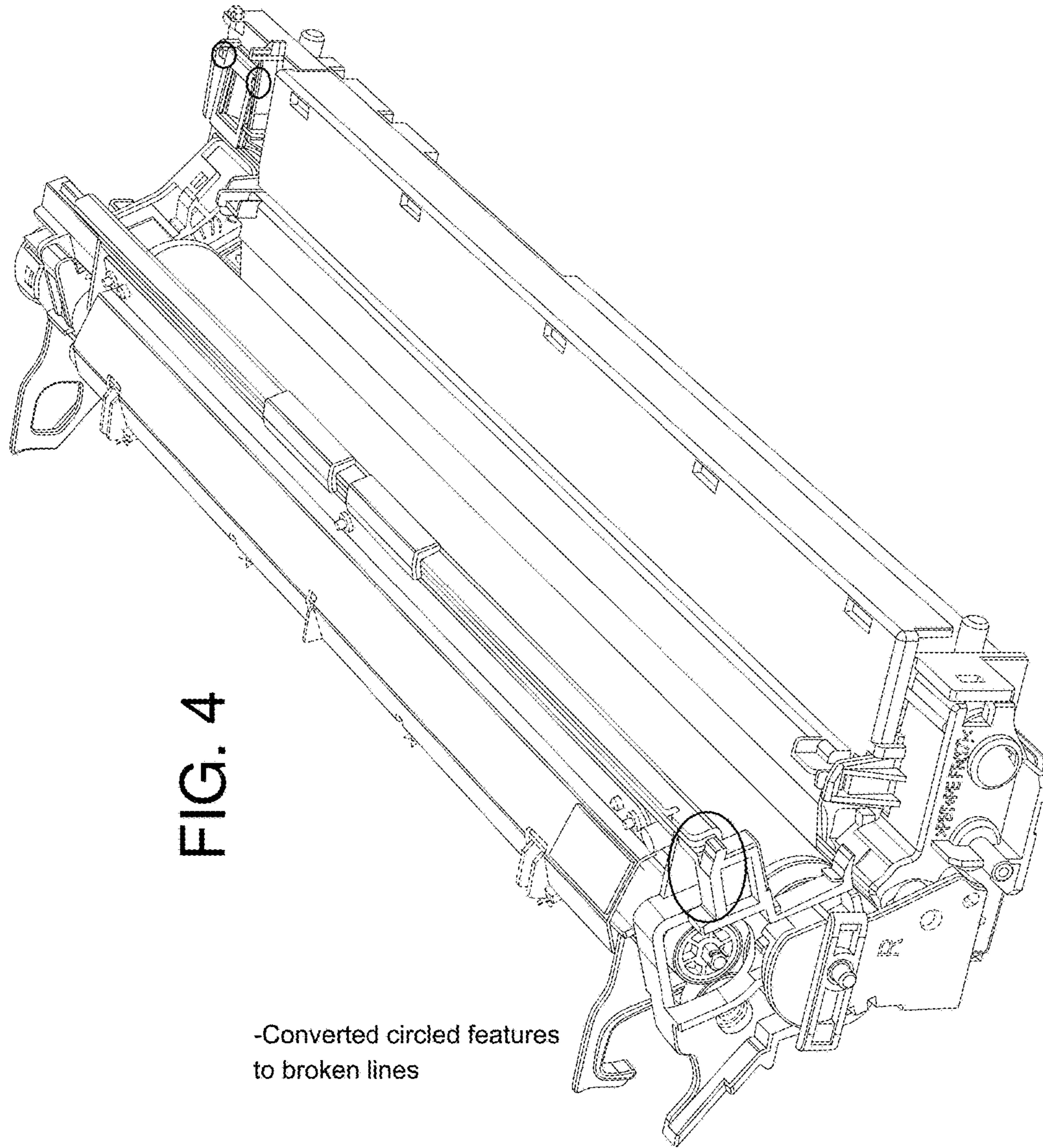


FIG. 4

-Converted circled features
to broken lines

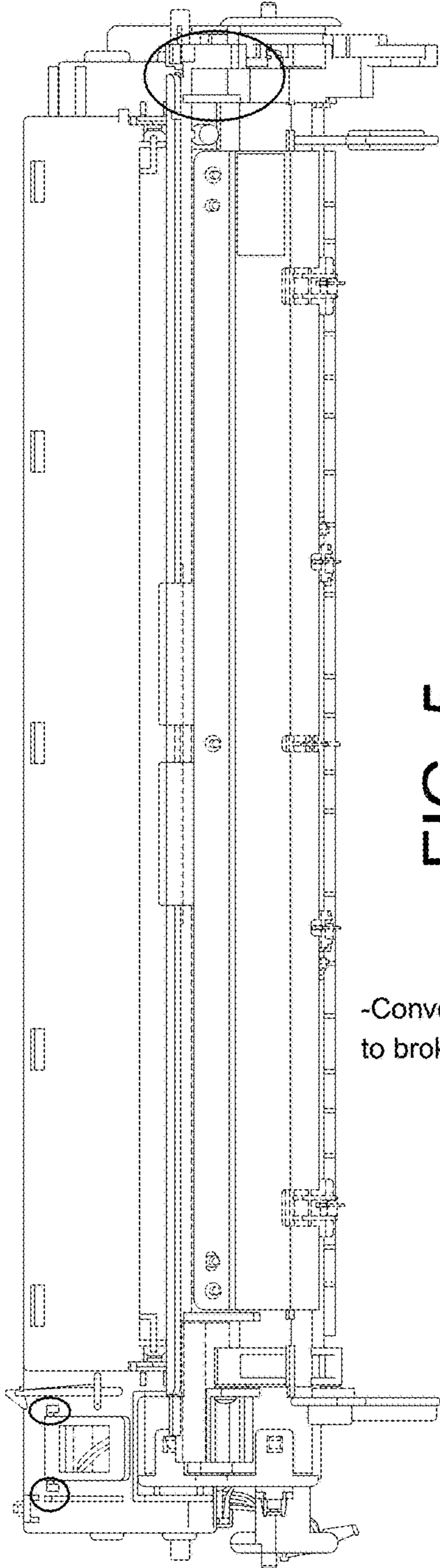


FIG. 5

-Converted circled features
to broken lines

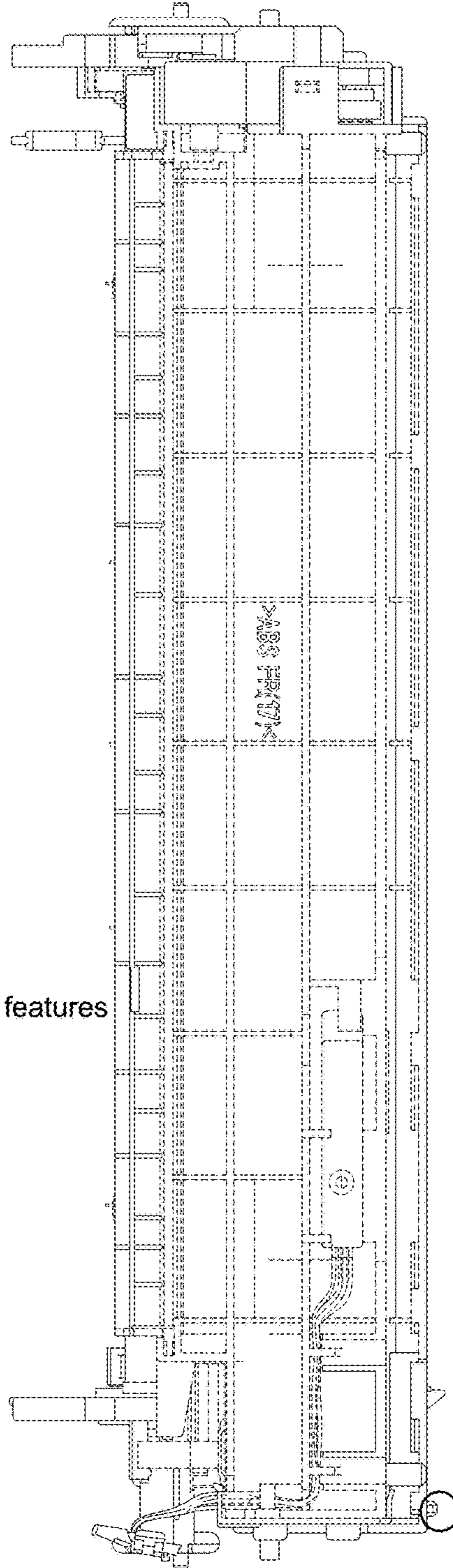


FIG. 6

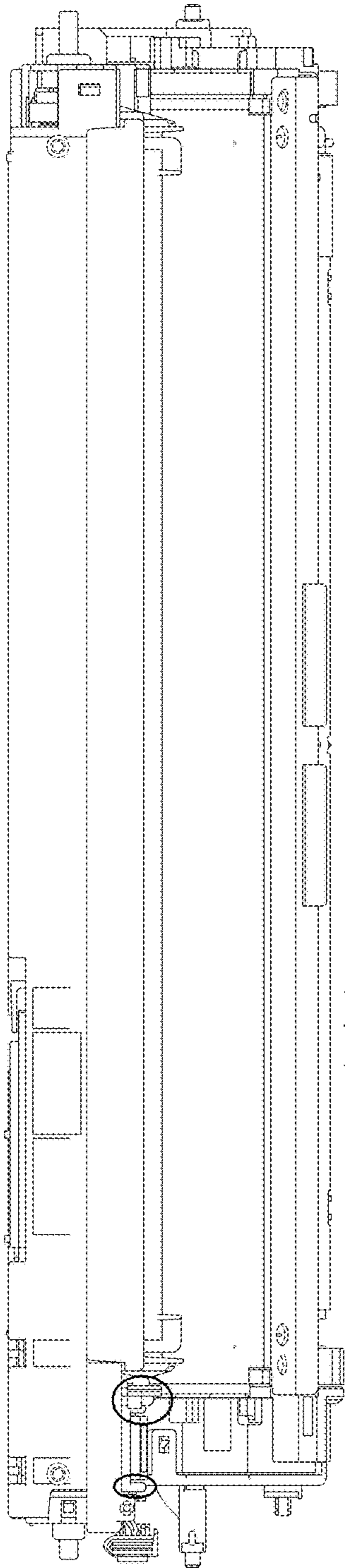


FIG. 7

-Converted circled features
to broken lines

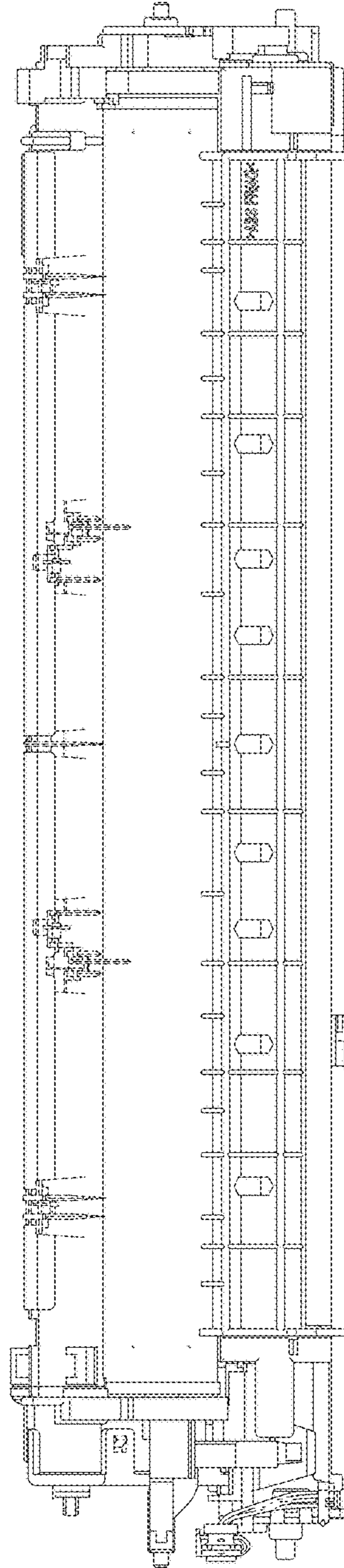


FIG. 8

FIG. 9

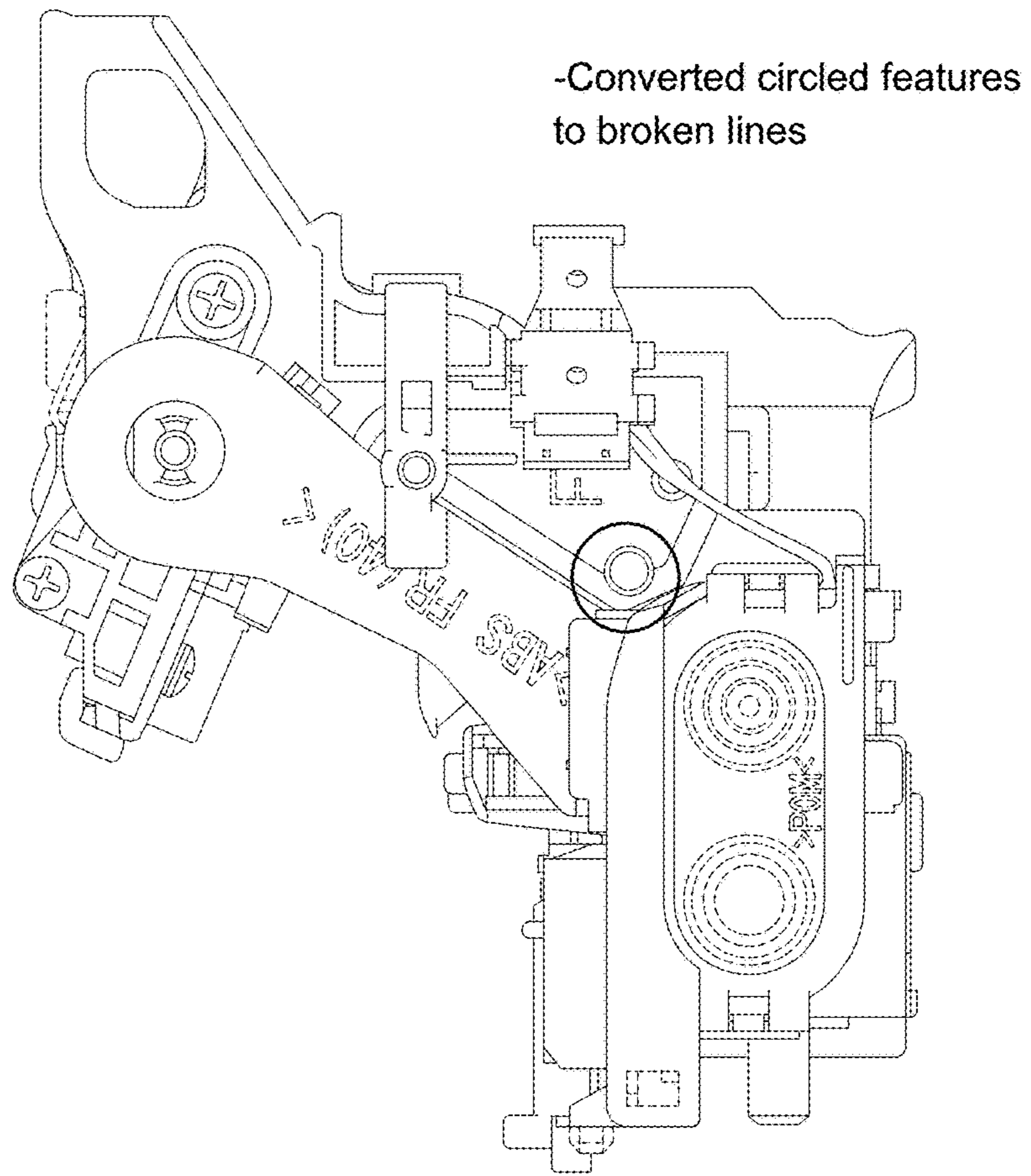


FIG. 10

