



US00D832913S

(12) **United States Design Patent**
Funabashi

(10) **Patent No.:** **US D832,913 S**

(45) **Date of Patent:** **** Nov. 6, 2018**

(54) **BRACKET**

(71) Applicant: **SONY INTERACTIVE ENTERTAINMENT INC.**, Tokyo (JP)

(72) Inventor: **Makoto Funabashi**, Saitama (JP)

(73) Assignee: **SONY INTERACTIVE ENTERTAINMENT INC.**, Tokyo (JP)

(**) Term: **15 Years**

(21) Appl. No.: **29/582,119**

(22) Filed: **Oct. 25, 2016**

(30) **Foreign Application Priority Data**

Apr. 26, 2016 (JP) 2016-009110

(51) **LOC (11) Cl.** **16-06**

(52) **U.S. Cl.**
USPC **D16/330**

(58) **Field of Classification Search**

USPC D29/109; D24/110.2; D16/101, 301, D16/306, 311, 312, 313, 314, 325, 326, D16/330, 136, 339, 130, 334, 338; 2/426, 429, 450; D8/349, 373
CPC .. A61F 9/045; A61F 9/04; A61F 9/029; A61F 9/027; A61F 9/025; A61F 9/02; G02C 9/04; G02C 5/00; G02C 11/10; G02C 7/00

See application file for complete search history.

(56) **References Cited**

U.S. PATENT DOCUMENTS

D312,039 S * 11/1990 Smith D8/363
D321,125 S * 10/1991 Gary D8/373

D322,211 S * 12/1991 Gary D8/373
D369,957 S * 5/1996 Blanton D26/138
D390,581 S * 2/1998 Palmer D16/130
D747,760 S * 1/2016 Huang D16/334
D759,140 S * 6/2016 Baker D16/136

* cited by examiner

Primary Examiner — Ruth McInroy

(74) *Attorney, Agent, or Firm* — Young & Thompson

(57) **CLAIM**

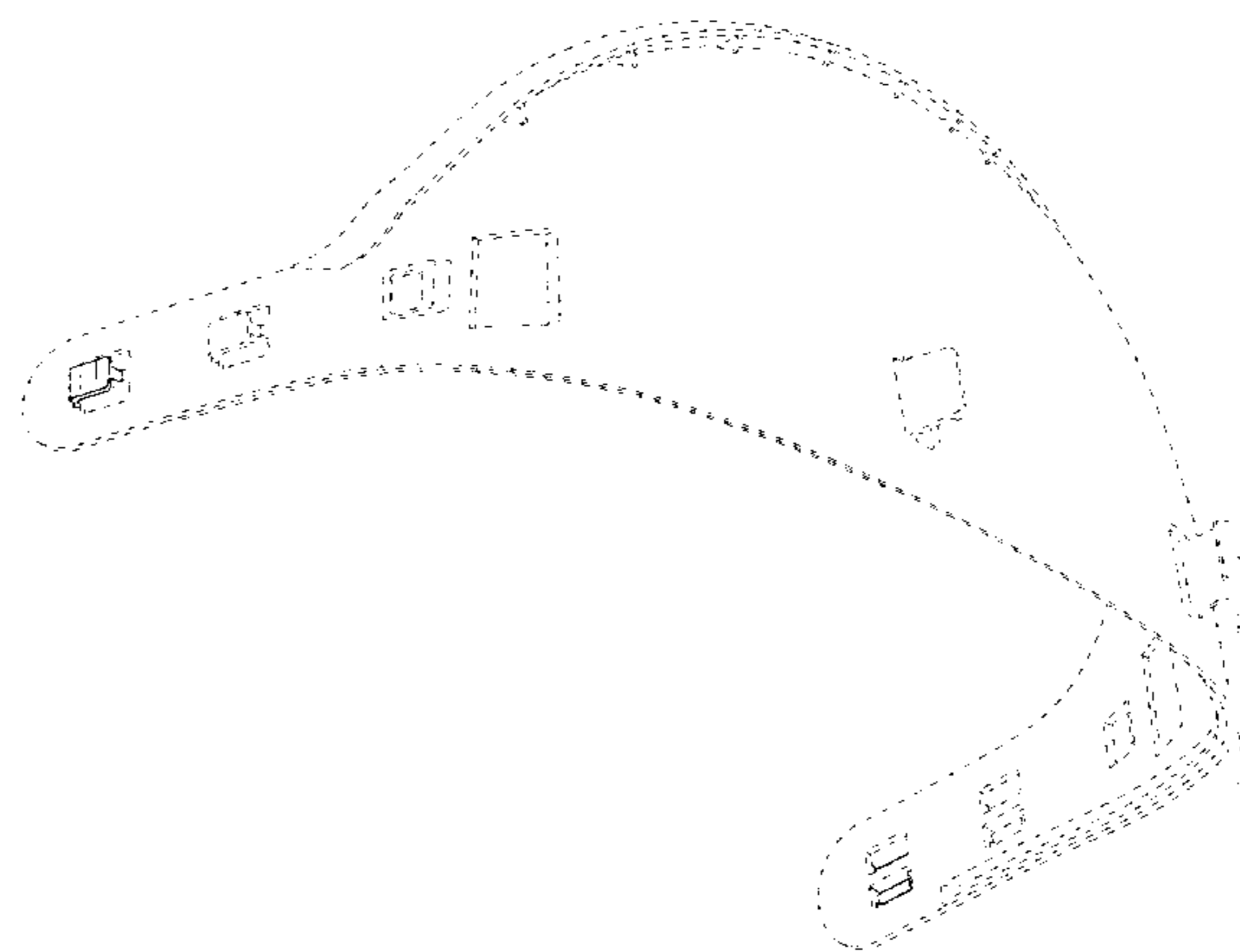
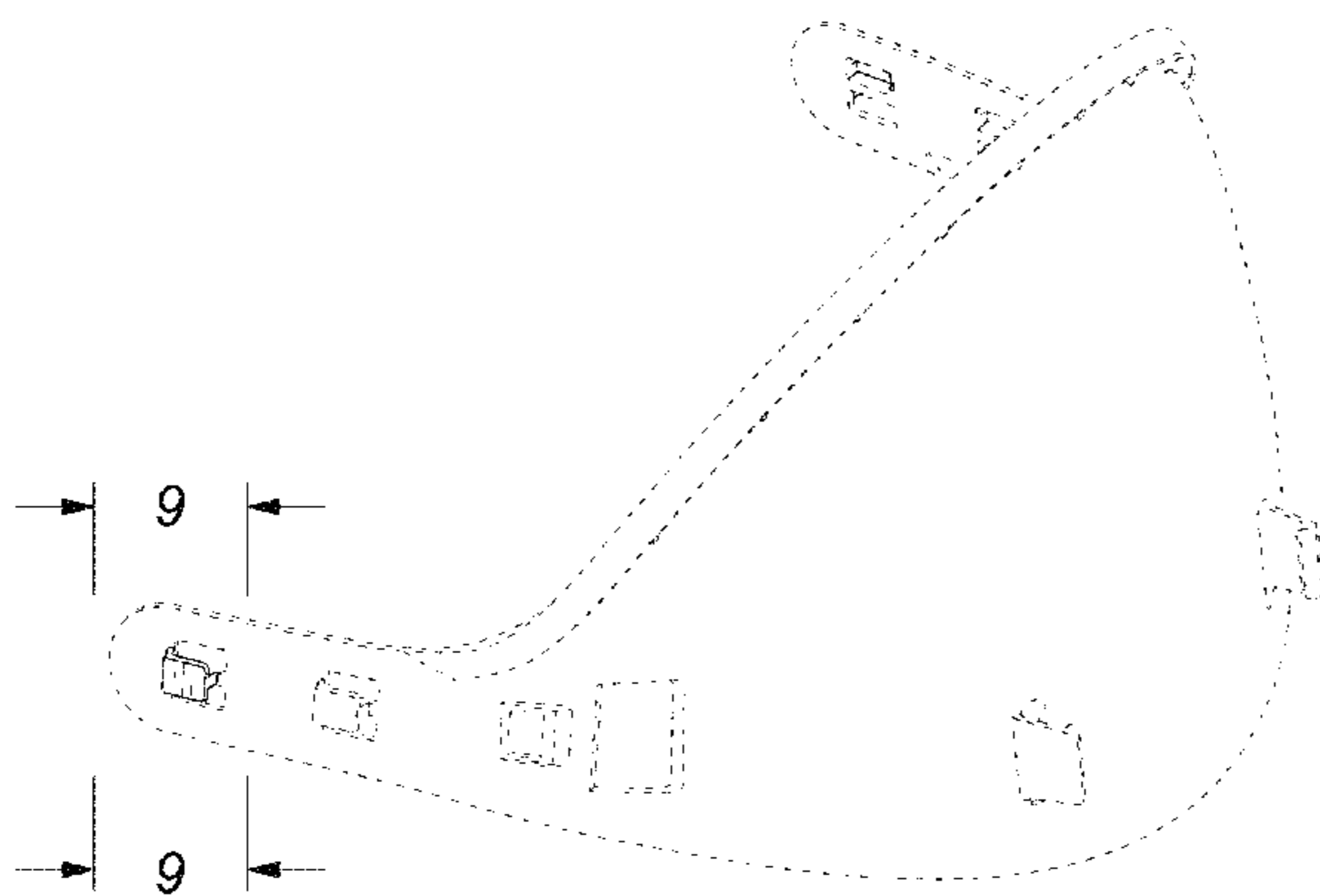
I claim the ornamental design for a bracket, as shown and described.

DESCRIPTION

FIG. 1 is a perspective view of front, top and left side of the bracket showing my new design;
FIG. 2 is a perspective view of front, bottom and left side thereof;
FIG. 3 is a front view thereof;
FIG. 4 is a rear view thereof;
FIG. 5 is a left side view thereof;
FIG. 6 is a right side view thereof;
FIG. 7 is a top view thereof;
FIG. 8 is a bottom view thereof; and,
FIG. 9 is a partially enlarged view taken along lines 9-9 in FIG. 1.

The portions of the article shown in broken lines form no part of the claimed design.

1 Claim, 9 Drawing Sheets



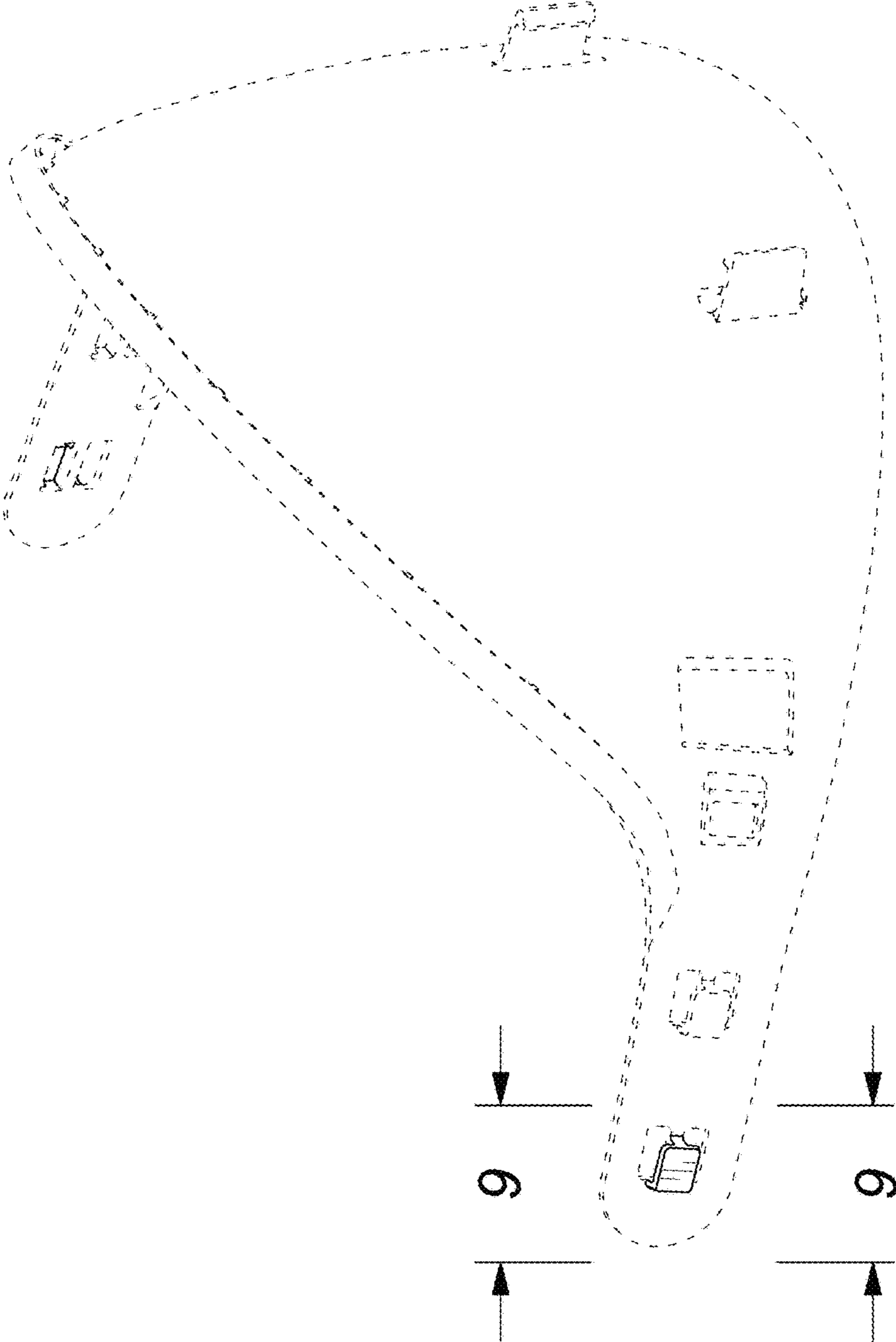


FIG. 1

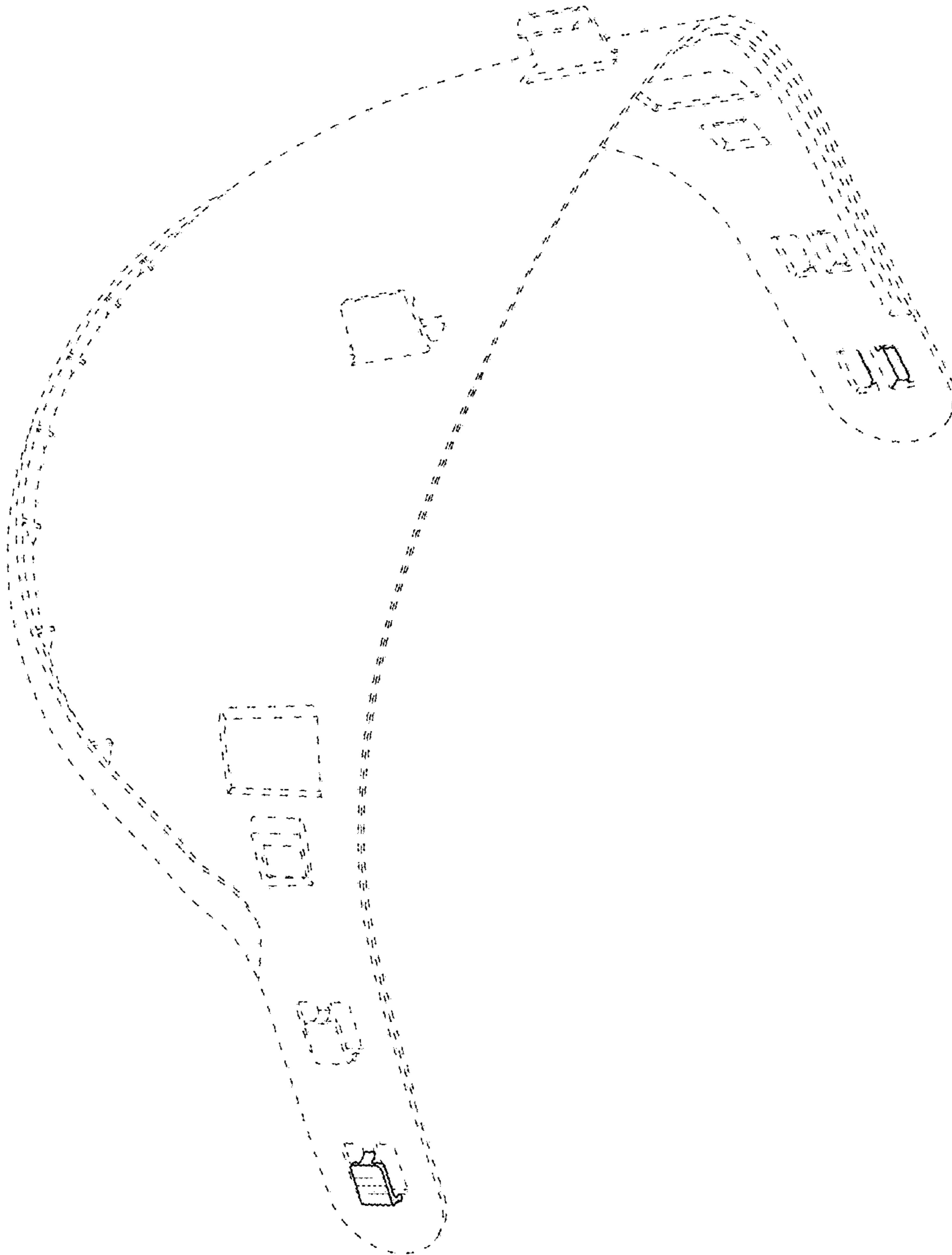


FIG. 2

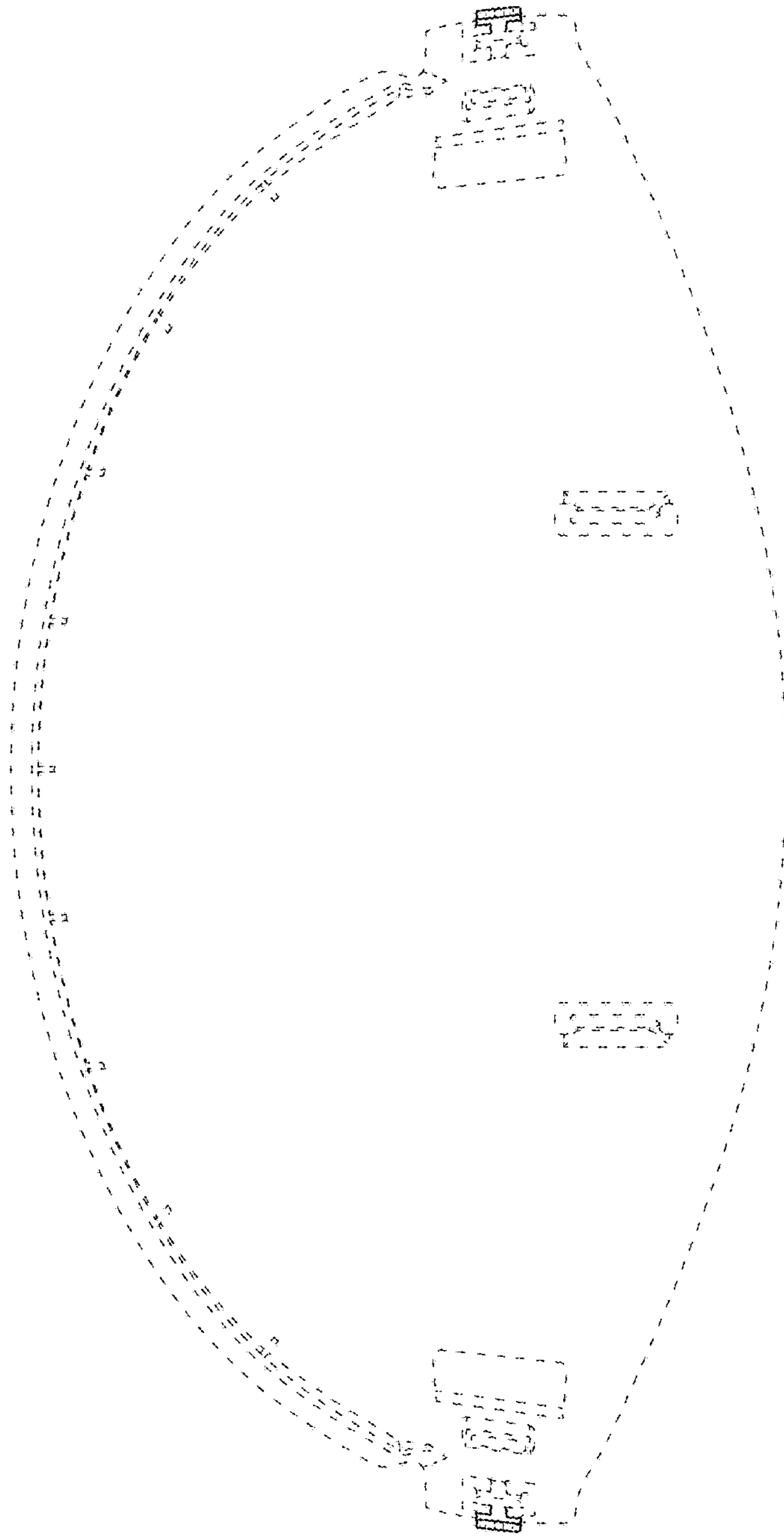


FIG. 3

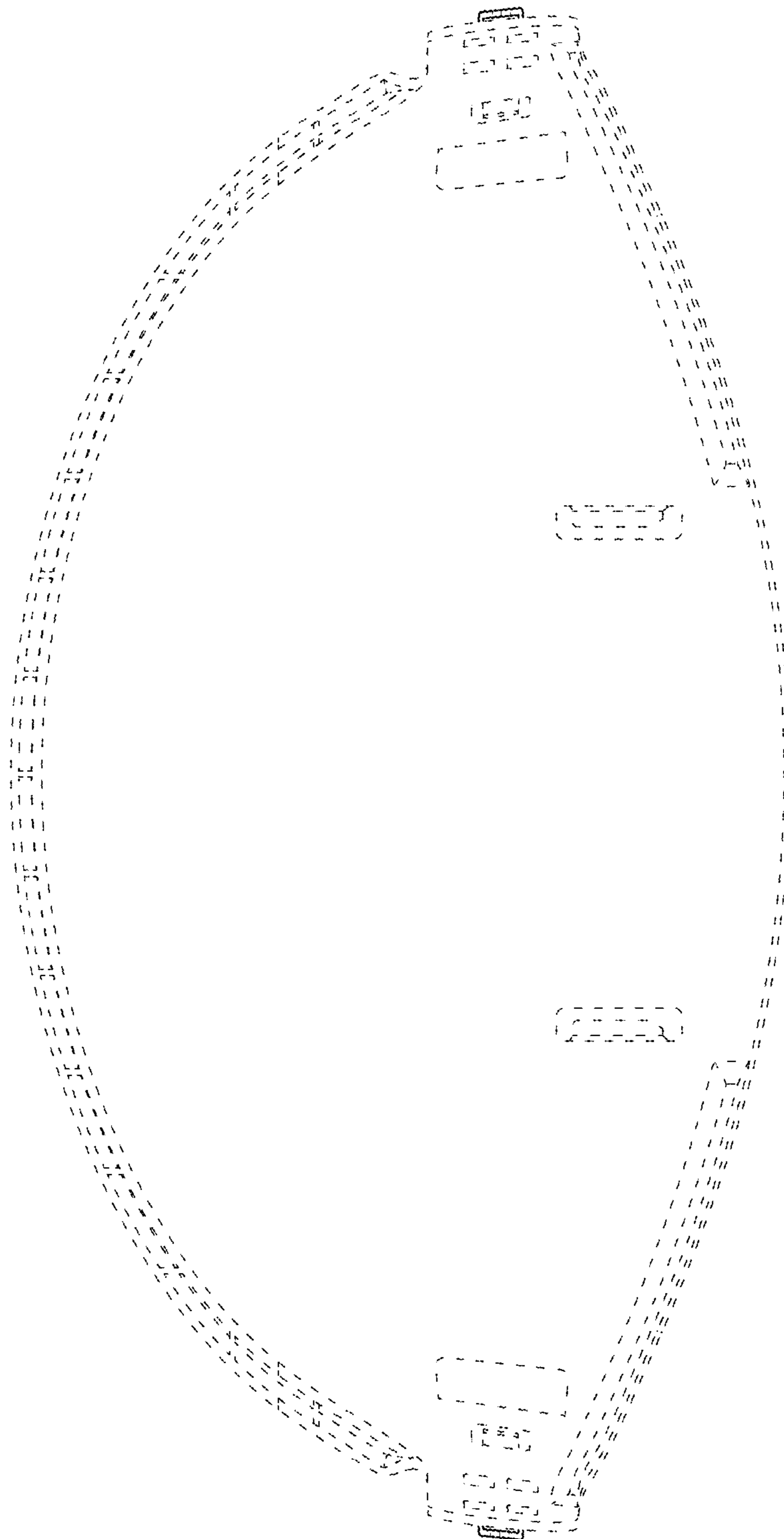


FIG. 4

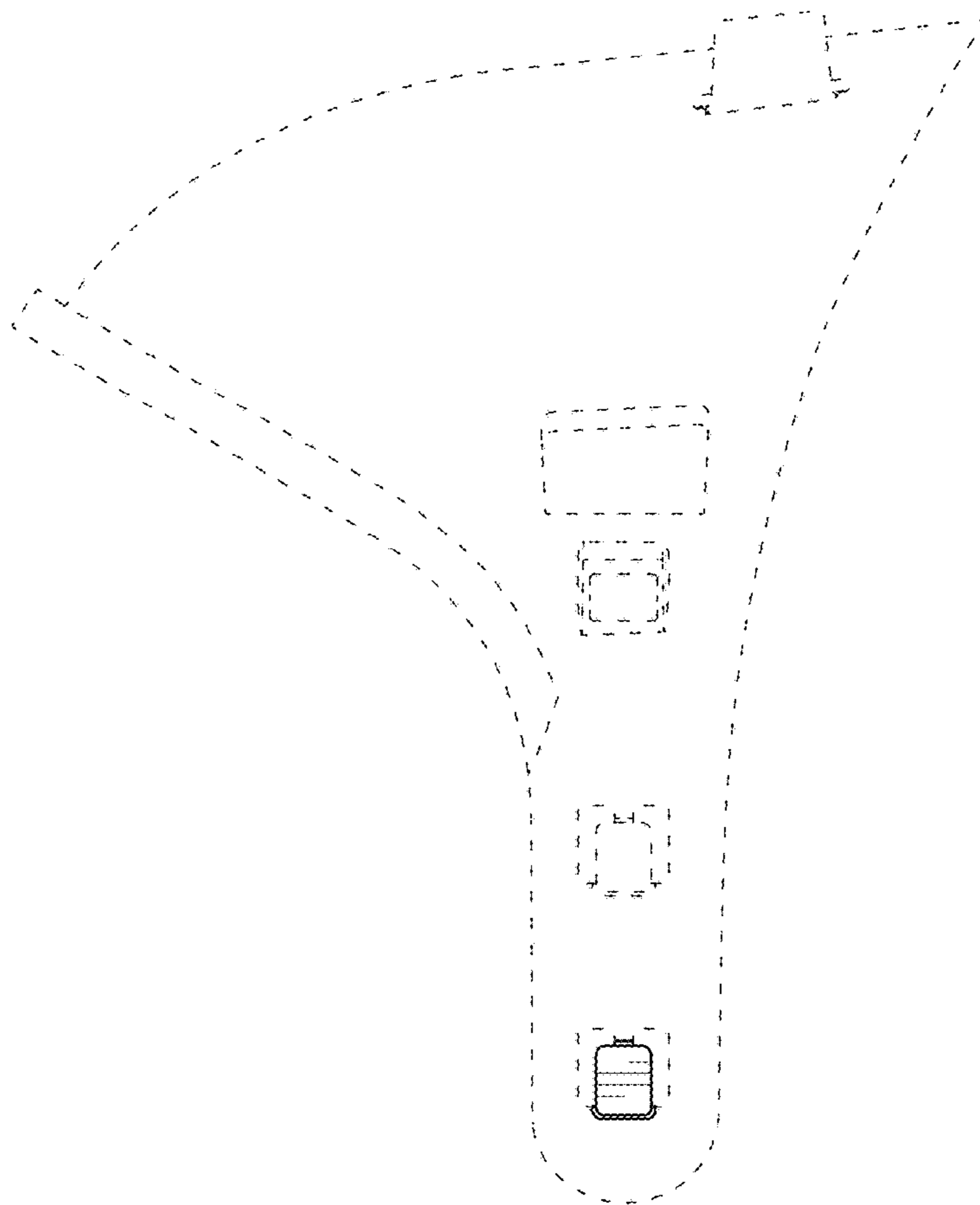


FIG. 5

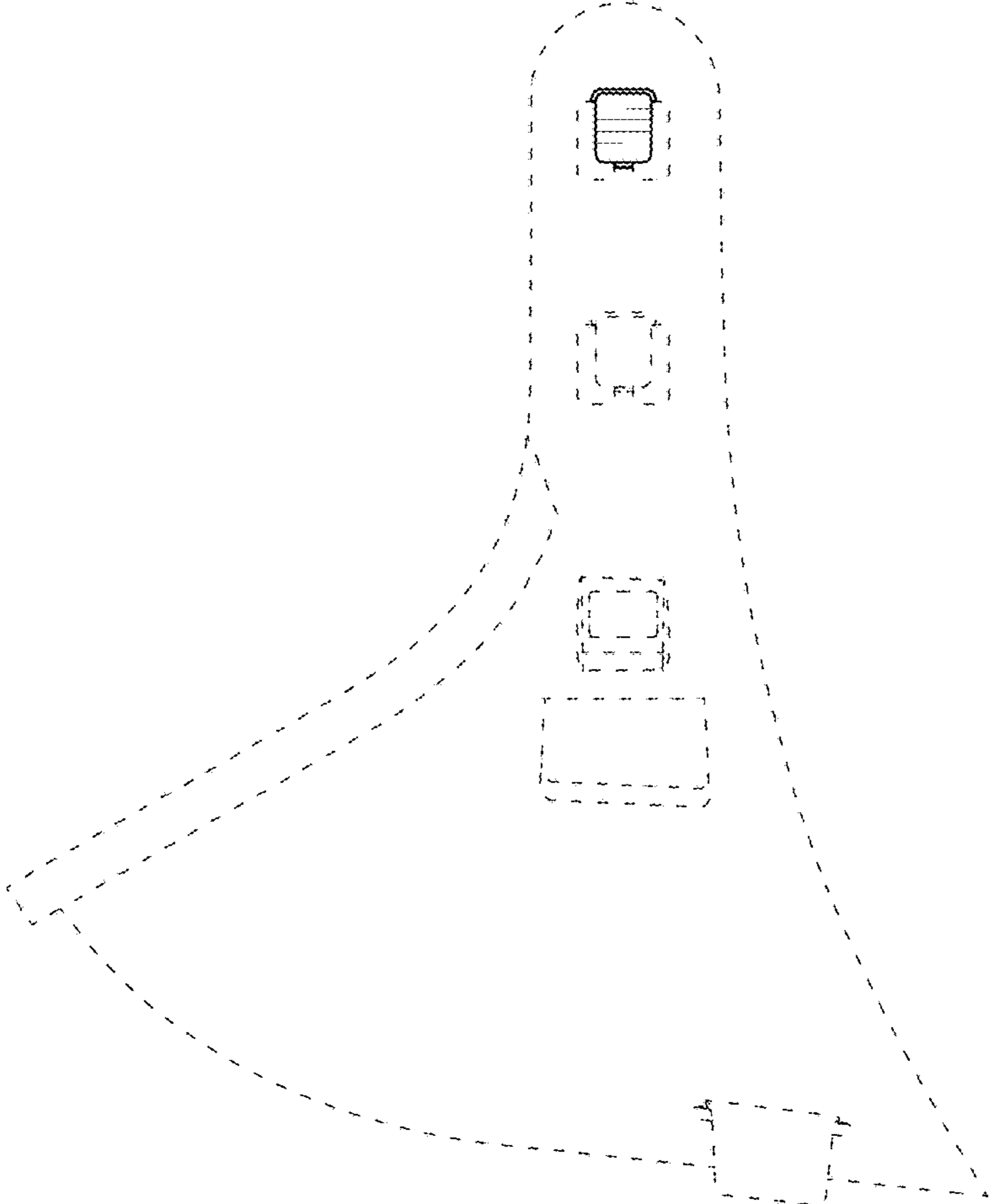


FIG. 6

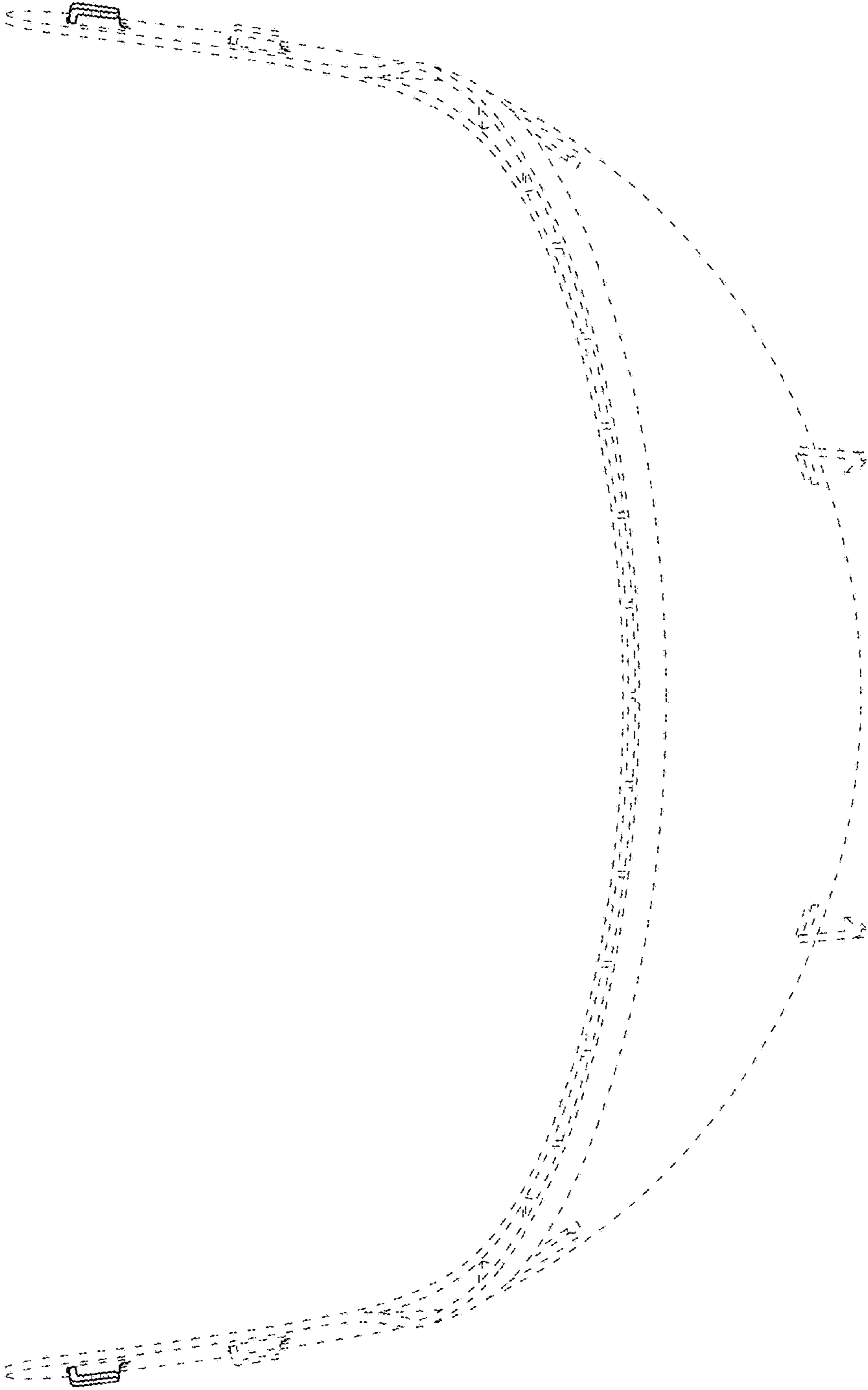


FIG. 7

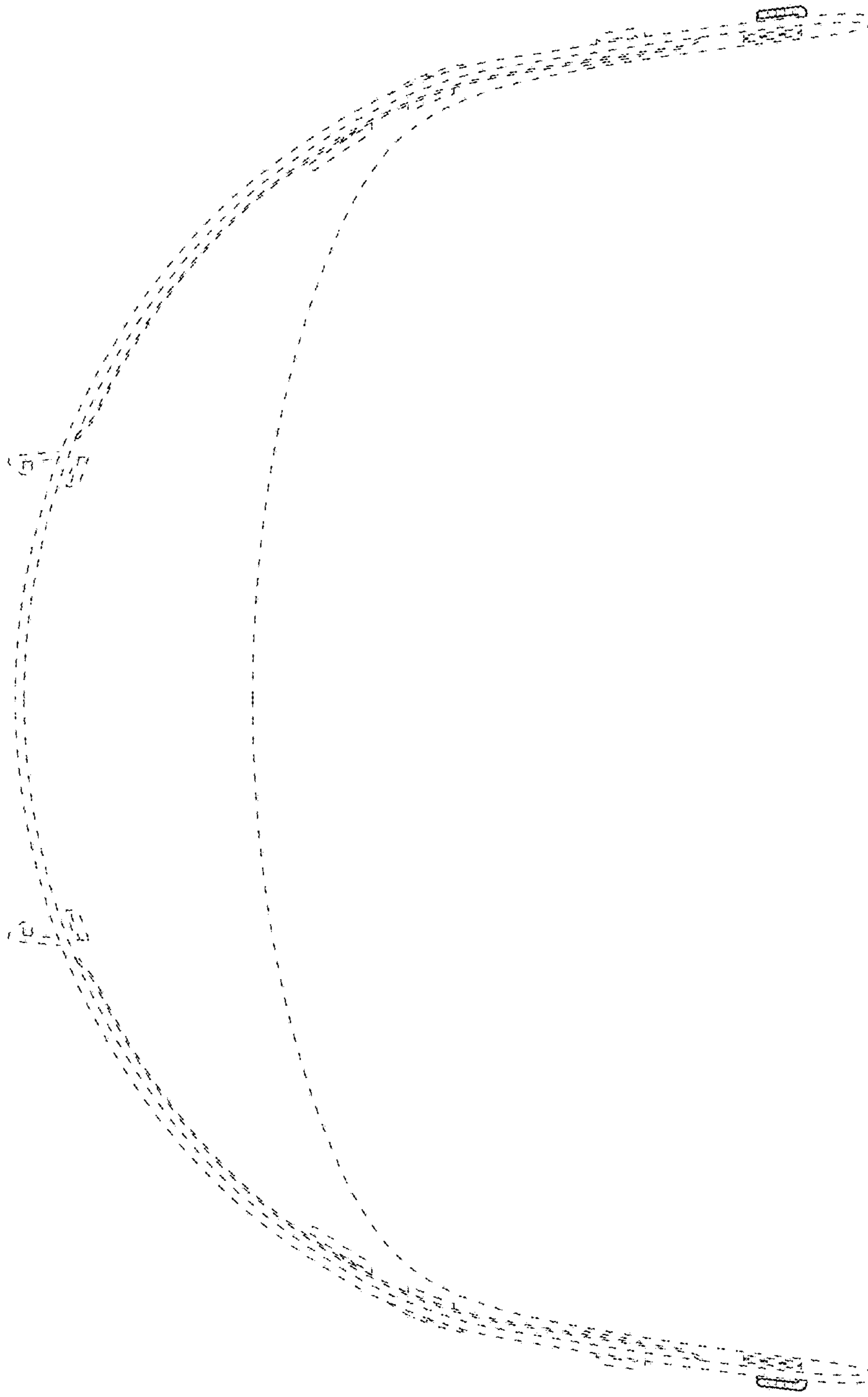


FIG. 8

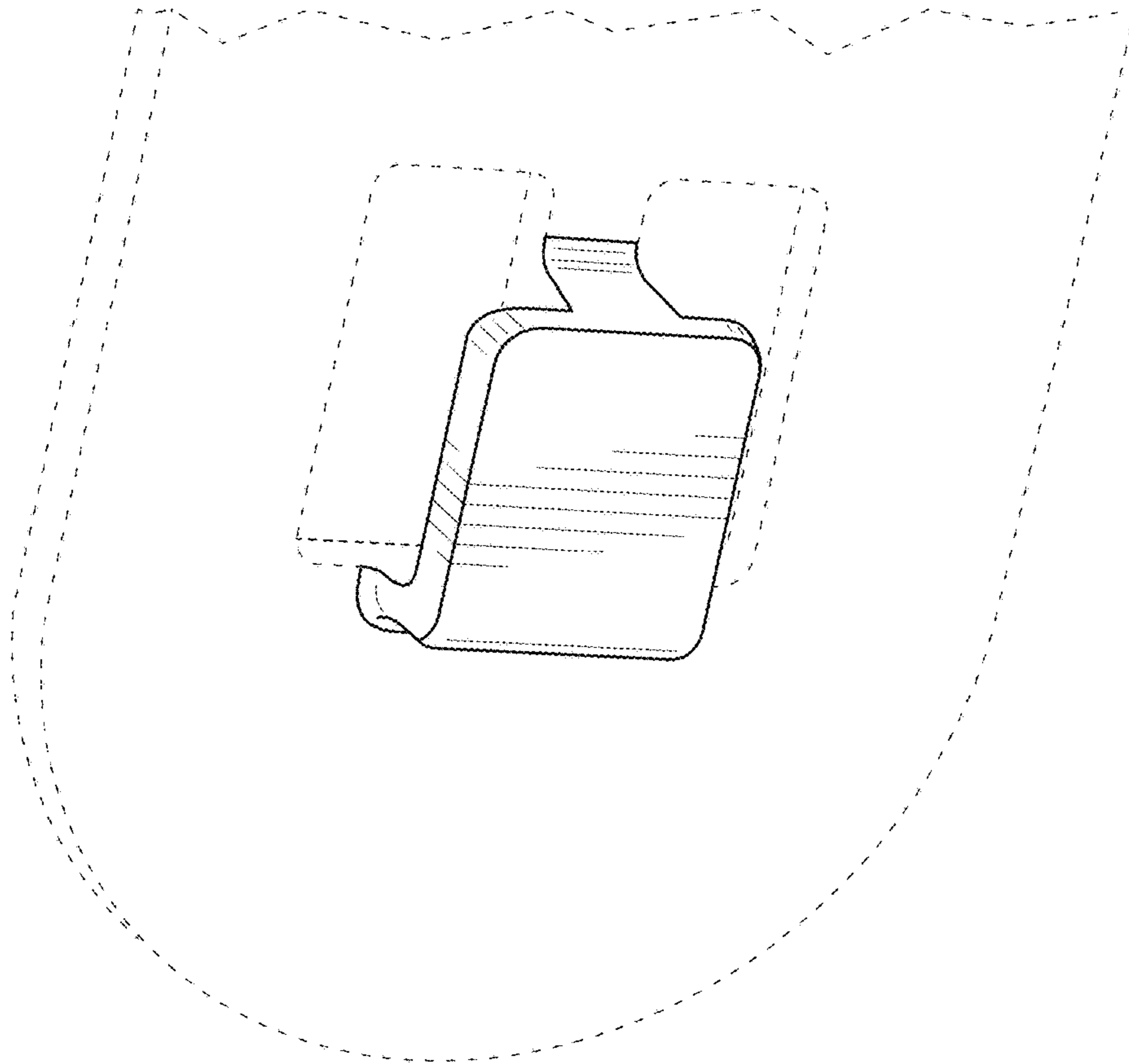


FIG. 9