



US00D832909S

(12) **United States Design Patent** (10) **Patent No.:** **US D832,909 S**
Portela et al. (45) **Date of Patent:** **** Nov. 6, 2018**

(54) **MONITORING CAMERA**

(56) **References Cited**

(71) Applicant: **AXIS AB**, Lund (SE)

U.S. PATENT DOCUMENTS

(72) Inventors: **Rafael Portela**, Malmo (SE); **Ulf Lundberg**, Lund (SE); **Ola Andersson**, Helsingborg (SE); **Jens Pahlitzsch**, Lund (SE); **Daniel Ahman**, Lomma (SE); **Morten Bergstrom**, Lund (SE); **Mathias Walter**, Arlov (SE)

3,916,097 A 10/1975 Imai
5,689,304 A 11/1997 Jones et al.
D414,504 S 9/1999 Madden
D424,087 S 5/2000 Frick et al.
6,061,087 A 5/2000 Schieltz et al.
6,322,258 B1 11/2001 Ryan et al.
D457,904 S 5/2002 Toste et al.
6,735,382 B2 5/2004 Schneider

(Continued)

(73) Assignee: **AXIS AB**, Lund (SE)

FOREIGN PATENT DOCUMENTS

(**) Term: **15 Years**

EM 001113641-0002 7/2009
TW D157409 11/2013

(21) Appl. No.: **29/645,806**

OTHER PUBLICATIONS

(22) Filed: **Apr. 30, 2018**

AXIS Communications Data Sheet, AXIS Q63032-E PTZ Dome Network Camera, Advanced, outdoor-ready PTZ dome for demanding surveillance, Jan. 2013.

Related U.S. Application Data

(62) Division of application No. 29/590,872, filed on Jan. 13, 2017.

Primary Examiner — Philip S Hyder

Assistant Examiner — Ramzi S Almatrahi

(30) **Foreign Application Priority Data**

(74) *Attorney, Agent, or Firm* — Volpe and Koenig, P.C.

Jul. 14, 2016 (EM) 003305630

(51) **LOC (11) Cl.** **16-05**

(57) **CLAIM**

(52) **U.S. Cl.**
USPC **D16/219**; D16/203

The ornamental design for a monitoring camera, as shown and described.

(58) **Field of Classification Search**

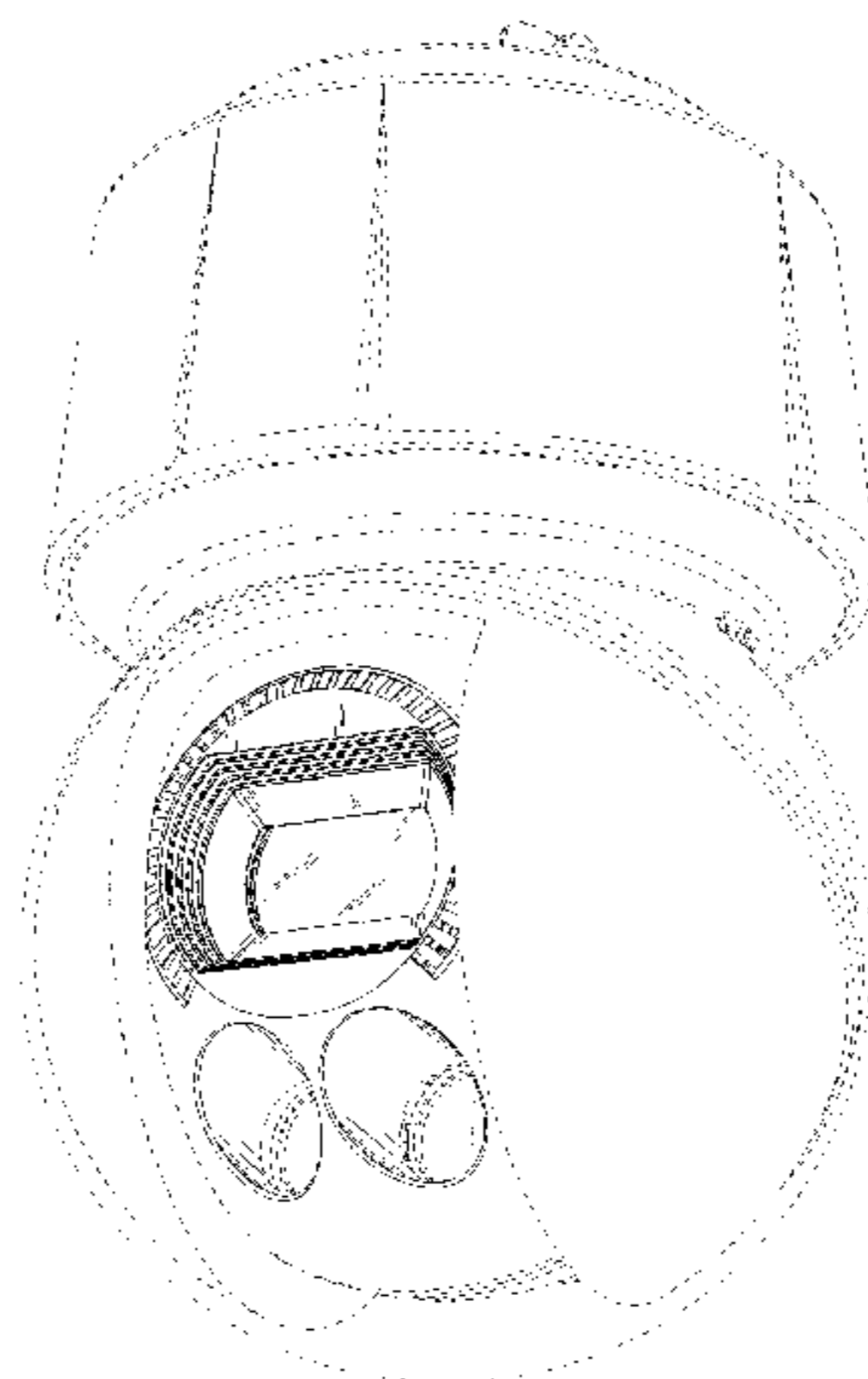
DESCRIPTION

USPC D16/200, 202–206, 208, 218, 219, 242;
348/143, 148, 151, 373–376; 396/419,
396/427, 535, 539–541
CPC G03B 17/02; G03B 19/04; G03B 17/56;
G03B 17/04; G03B 15/03; H04N 5/2251;
H04N 5/2252; H04N 5/2253; H04N
5/2254; H04N 7/181; H04N 7/183; H04N
7/18; G08B 13/1963; G08B 13/19619;
G08B 13/19632; F16M 11/04; F16M
13/00

FIG. 1 is a perspective view of a monitoring camera showing our new design;
FIG. 2 is a front elevational view thereof;
FIG. 3 is a left side elevational view thereof;
FIG. 4 is a right side elevational view thereof;
FIG. 5 is a rear elevational view thereof;
FIG. 6 is a bottom plan view thereof; and,
FIG. 7 is a top plan view thereof.

See application file for complete search history.

(Continued)



The broken lines represent portions of the monitoring camera that form no part of the claimed design.

1 Claim, 6 Drawing Sheets

(56)

References Cited

U.S. PATENT DOCUMENTS

D542,319 S 5/2007 Ishida et al.
 D550,738 S * 9/2007 Hsia D16/202
 D552,650 S * 10/2007 Yamakawa D16/203
 D552,651 S 10/2007 Arbuckle
 D562,870 S * 2/2008 Komatsu D16/203
 D564,005 S 3/2008 Cheng
 D574,870 S 8/2008 Takahashi
 D597,117 S 6/2009 Yamane et al.
 D603,441 S 11/2009 Wada et al.
 D626,984 S 11/2010 Miyaji
 D633,931 S 3/2011 Ham
 D636,804 S 4/2011 Anneback et al.
 D636,805 S 4/2011 Anneback et al.
 D639,328 S 6/2011 Zeinoun et al.
 D639,843 S 6/2011 Zeinoun et al.
 D655,328 S 3/2012 Anneback et al.
 8,131,145 B2 3/2012 Scheucher
 D662,120 S 6/2012 Deurwaarder
 D673,989 S * 1/2013 Ying D16/203

D701,258 S 3/2014 Huang
 D702,275 S 4/2014 Ying
 D704,240 S 5/2014 McBride et al.
 D705,334 S 5/2014 Fransson et al.
 D705,844 S 5/2014 Bart et al.
 D708,654 S 7/2014 Tani
 D719,202 S * 12/2014 Lee D16/202
 D719,208 S 12/2014 Mohan
 D731,579 S 6/2015 Bart et al.
 D734,379 S 7/2015 Tankersley et al.
 D741,931 S * 10/2015 Huang D16/202
 D751,619 S 3/2016 Jeong et al.
 D753,204 S 4/2016 Luo et al.
 D753,206 S 4/2016 Ravat
 D753,752 S 4/2016 Ahman et al.
 D771,173 S 11/2016 Hinkel
 D776,739 S 1/2017 Urashima
 D783,076 S 4/2017 Ravat et al.
 D802,044 S * 11/2017 Wu D16/203
 D813,926 S * 3/2018 Shin D16/203
 D818,027 S * 5/2018 Ravat D16/203
 D819,108 S * 5/2018 Wu D16/203
 D820,337 S * 6/2018 Li D16/203
 D824,984 S * 8/2018 Zhiyong D16/203
 2002/0140850 A1 10/2002 Toste et al.
 2006/0023113 A1 * 2/2006 Lin G08B 13/1963
 348/373
 2006/0024046 A1 2/2006 Jones et al.
 2007/0201862 A1 8/2007 Van Schaik et al.
 2010/0245569 A1 9/2010 Hakoishi

* cited by examiner

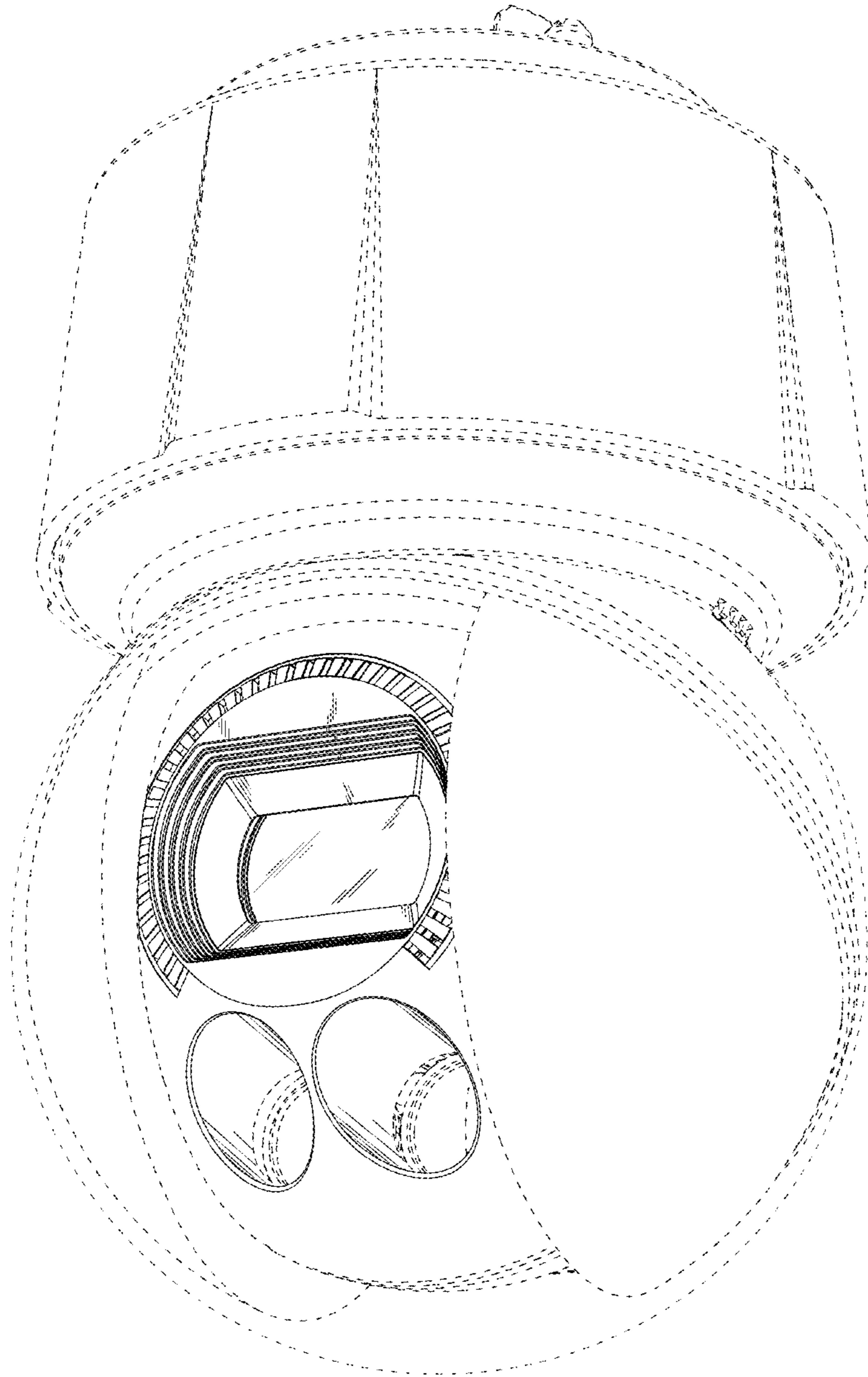


Figure 1

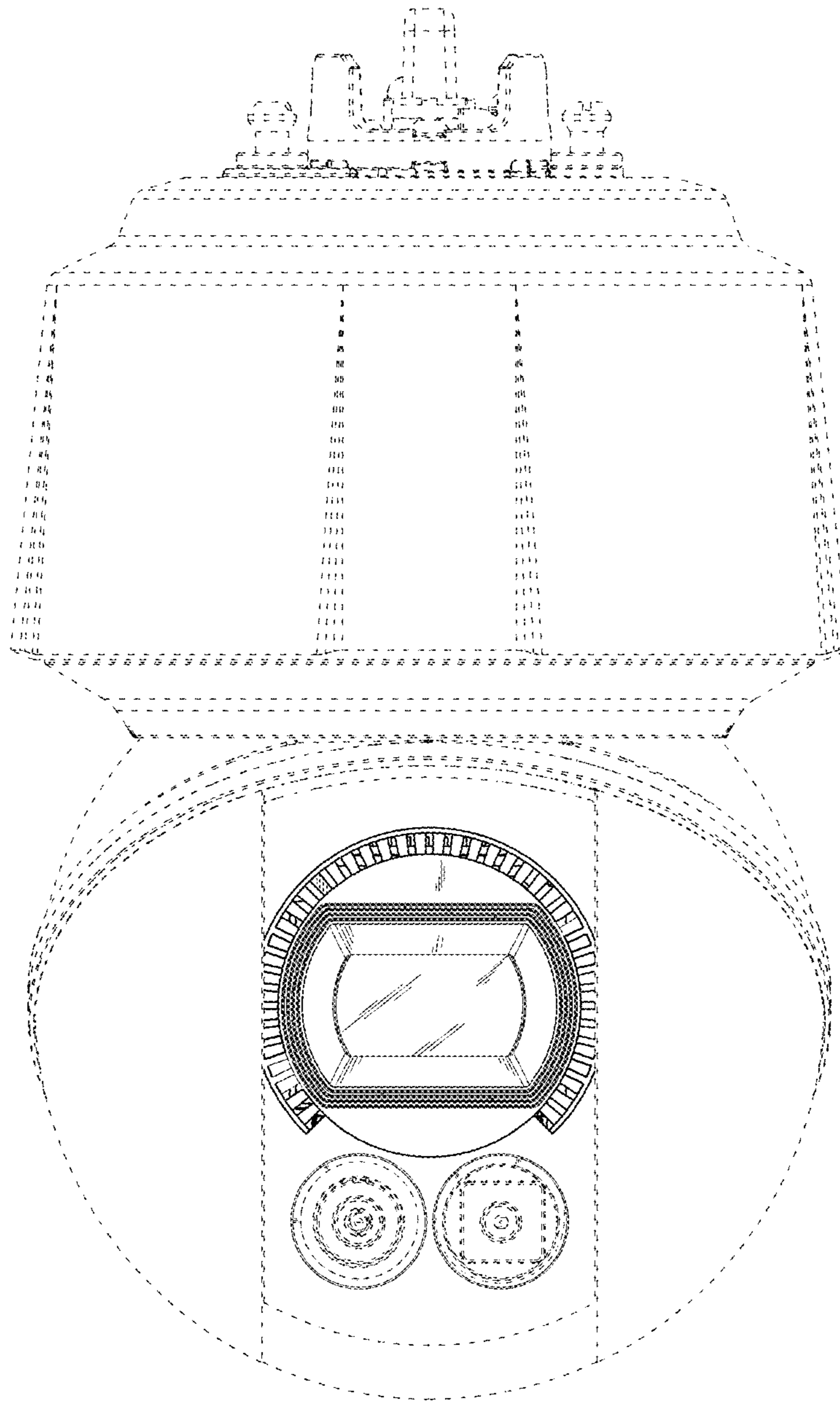


Figure 2

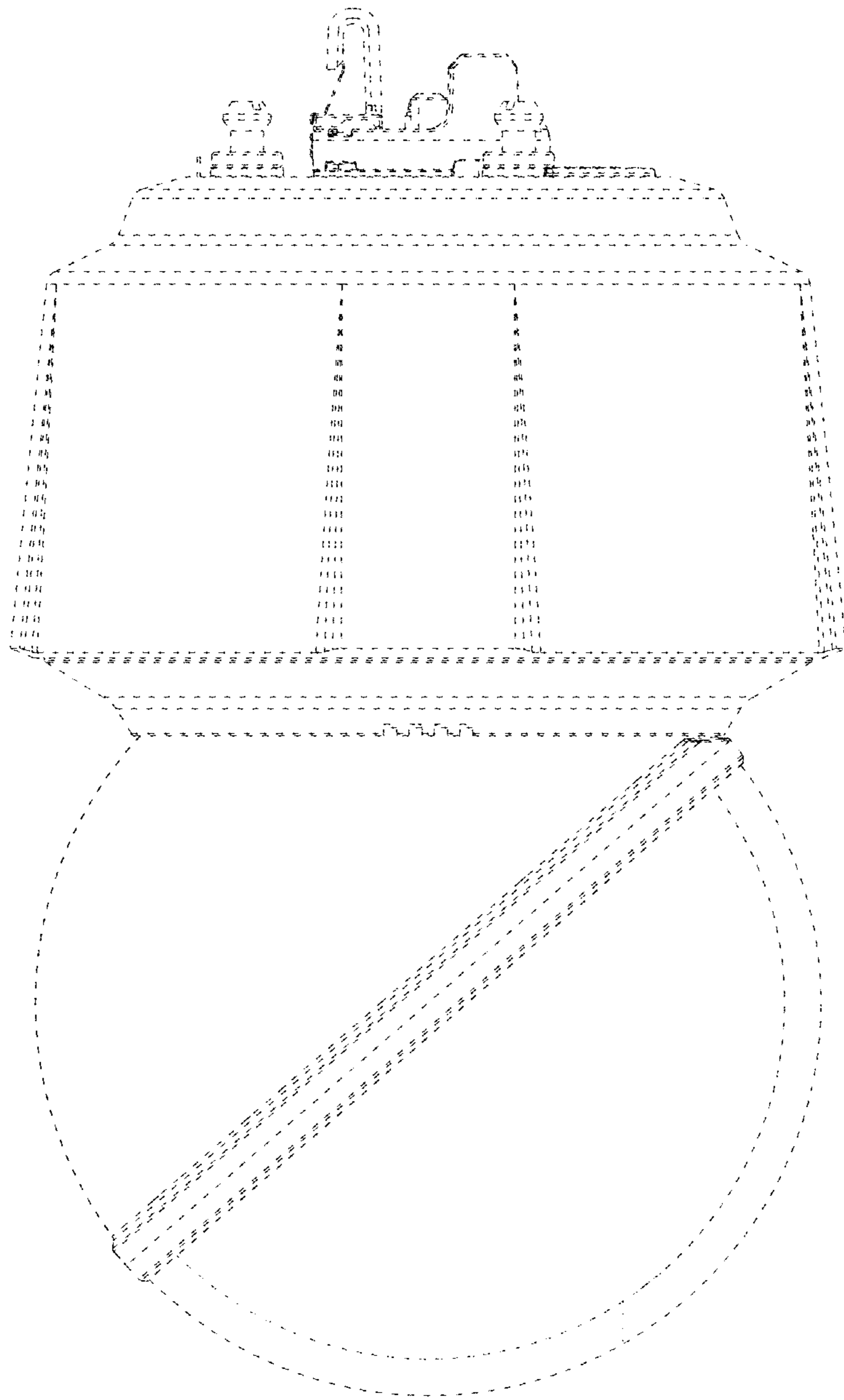


Figure 3

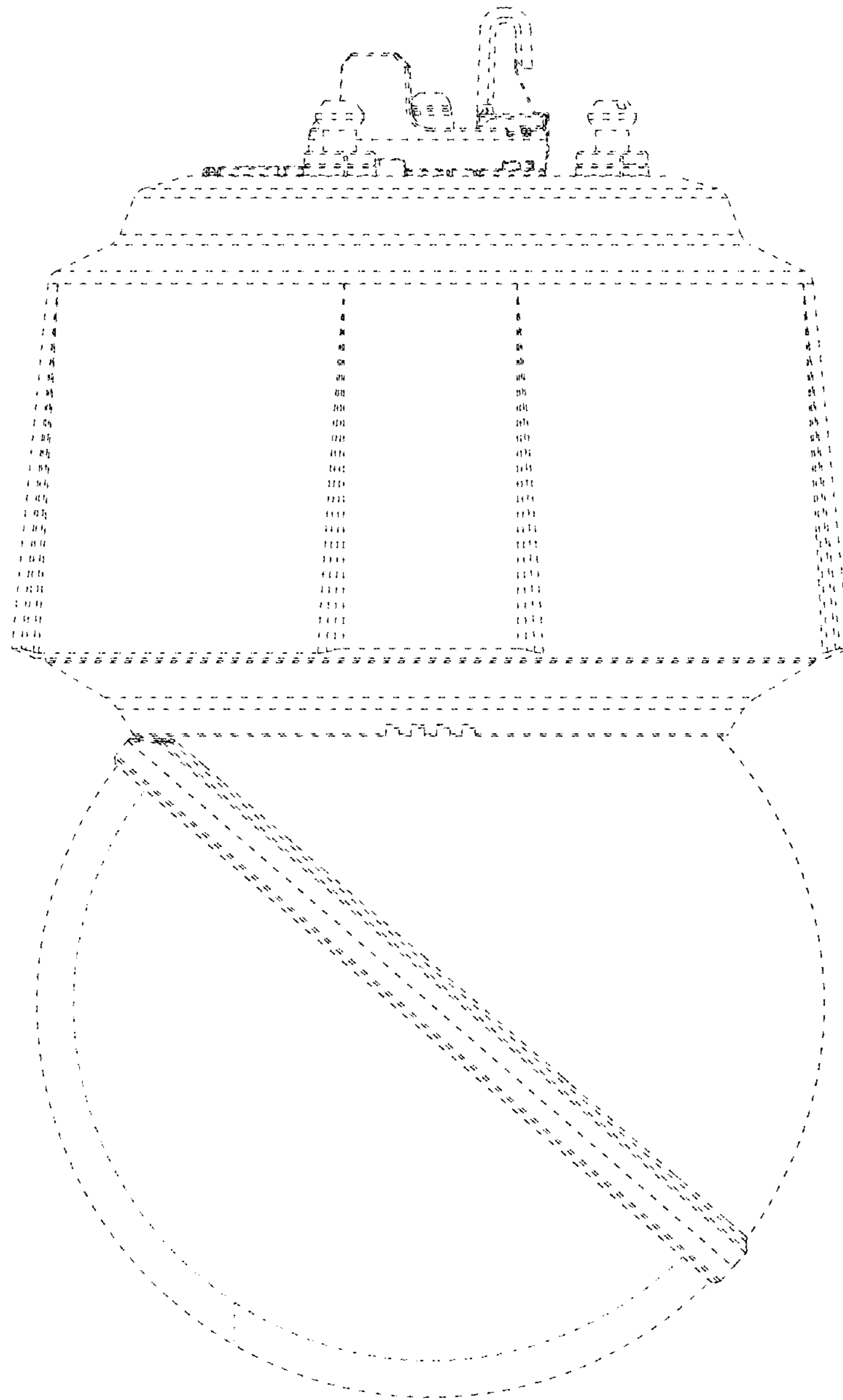


Figure 4

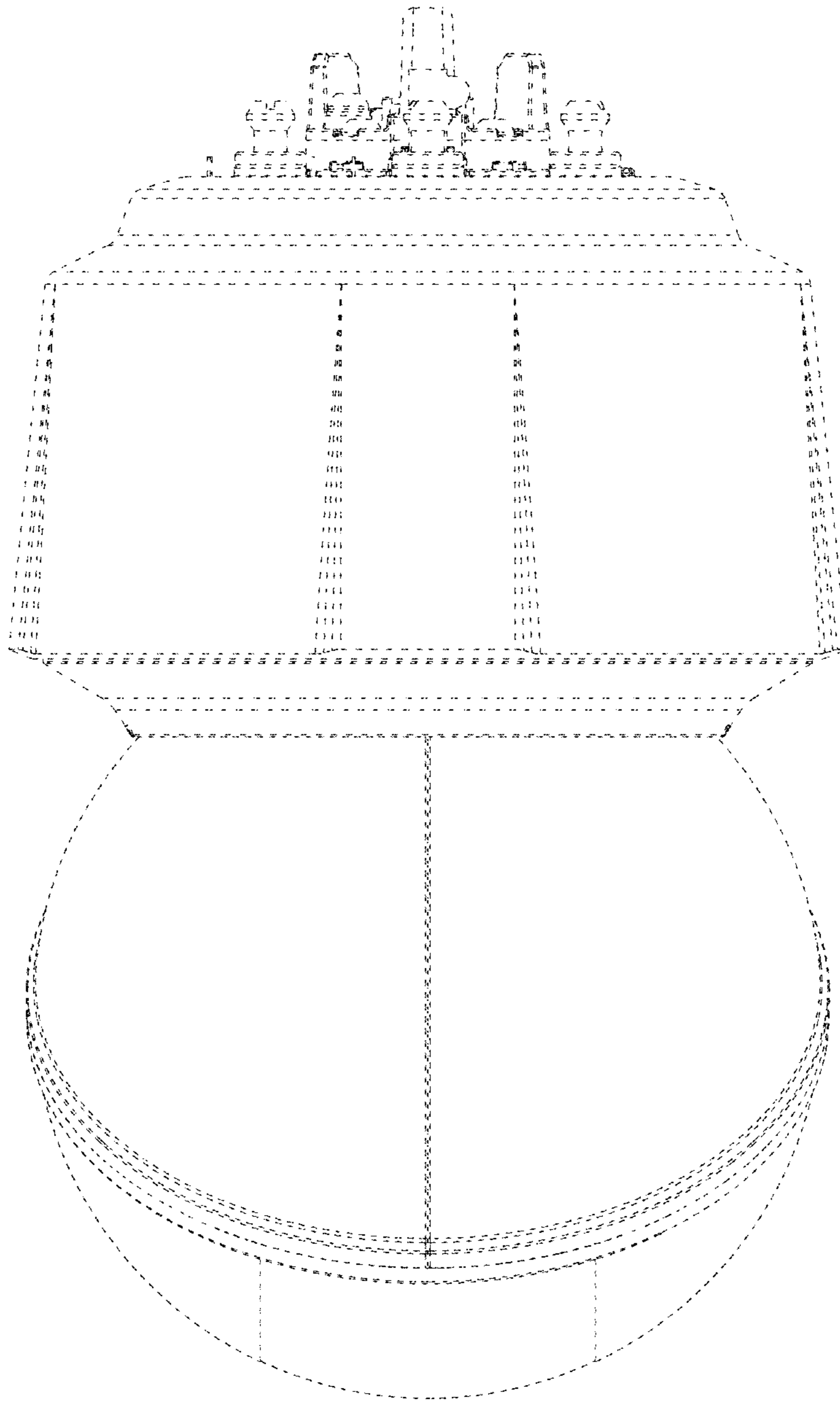


Figure 5

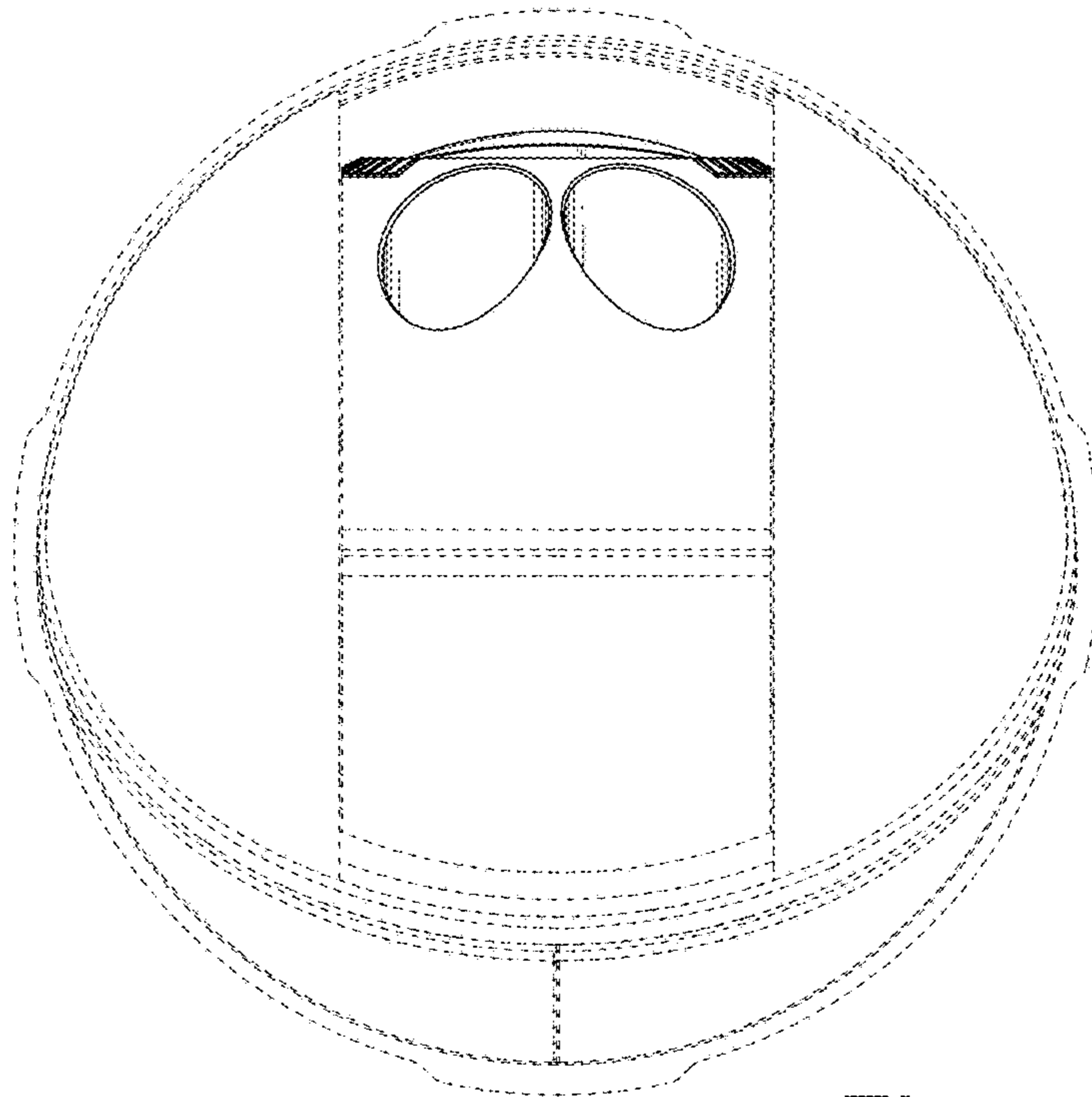


Figure 6

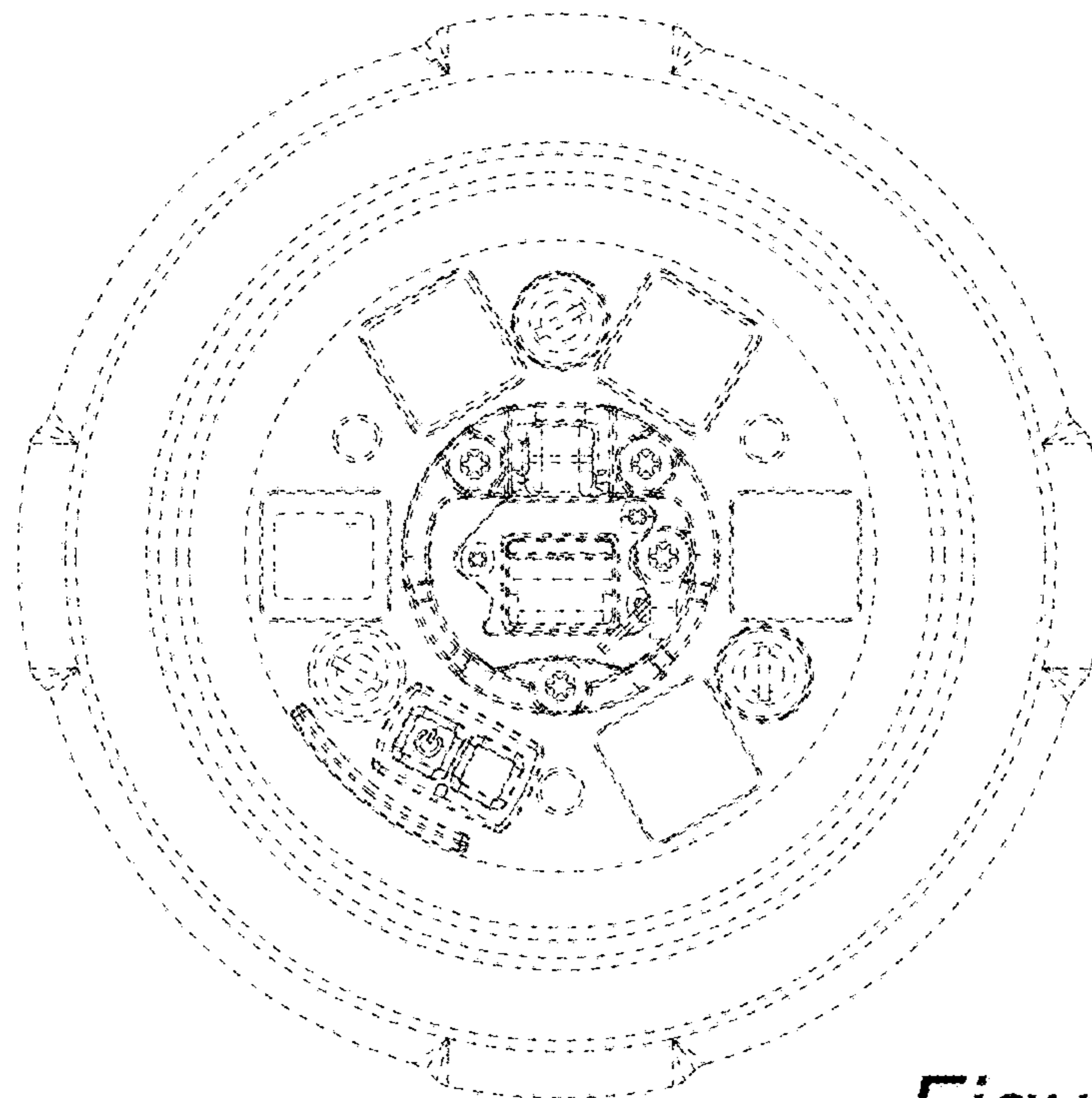


Figure 7