



US00D832907S

(12) **United States Design Patent**
Jeong et al.

(10) **Patent No.:** **US D832,907 S**

(45) **Date of Patent:** **** Nov. 6, 2018**

- (54) **SURVEILLANCE CAMERA**
- (71) Applicant: **LG Innotek Co., Ltd.**, Seoul (KR)
- (72) Inventors: **Kihyun Jeong**, Seoul (KR); **Jinho Kim**, Seoul (KR)
- (73) Assignee: **LG INNOTEK CO., LTD.**, Seoul (KR)
- (**) Term: **15 Years**
- (21) Appl. No.: **29/617,791**
- (22) Filed: **Sep. 15, 2017**
- (30) **Foreign Application Priority Data**

Aug. 29, 2017 (KR) 30-2017-0040162

- (51) **LOC (11) Cl.** **16-01**
- (52) **U.S. Cl.**
USPC **D16/203**

- (58) **Field of Classification Search**
USPC D16/200, 202-206, 208-209, 218, 219;
348/373-376; 396/535, 539-541
CPC G03B 15/03; G03B 17/02; G03B 17/04;
G03B 17/56; G03B 19/04; H04N 5/2251;
H04N 5/2252; H04N 5/2253; H04N
5/2254; H04N 2101/00
See application file for complete search history.

- (56) **References Cited**
U.S. PATENT DOCUMENTS

6,503,000 B1 * 1/2003 Kim G03B 5/06
348/143
D550,738 S * 9/2007 Hsia D16/202
D574,870 S * 8/2008 Takahashi D16/202

D609,732 S * 2/2010 Frank D16/203
D719,202 S * 12/2014 Lee D16/202
D730,966 S * 6/2015 Liu D16/202
D731,579 S * 6/2015 Bart D16/203
D741,931 S * 10/2015 Huang D16/202
D742,954 S * 11/2015 Simonelli D16/203
D743,475 S * 11/2015 Cover D16/203
D748,709 S * 2/2016 Jeong D16/202
D790,620 S * 6/2017 Lee D16/202
2005/0247845 A1 * 11/2005 Li F16M 11/14
248/346.5

* cited by examiner

Primary Examiner — Philip S Hyder

Assistant Examiner — Ramzi S Almatrahi

(74) *Attorney, Agent, or Firm* — Saliwanchik, Lloyd & Eisenschenk

(57) **CLAIM**

The ornamental design for a surveillance camera, as shown and described.

DESCRIPTION

FIG. 1 is a front and right side perspective view of a surveillance camera showing our new design;
FIG. 2 is a front view thereof;
FIG. 3 is a rear view thereof;
FIG. 4 is a left side view thereof;
FIG. 5 is a right side view thereof;
FIG. 6 is a top view thereof; and,
FIG. 7 is a bottom view thereof.
The broken lines depict portions of the surveillance camera in which the design is embodied that form no part of the claimed design.

1 Claim, 6 Drawing Sheets

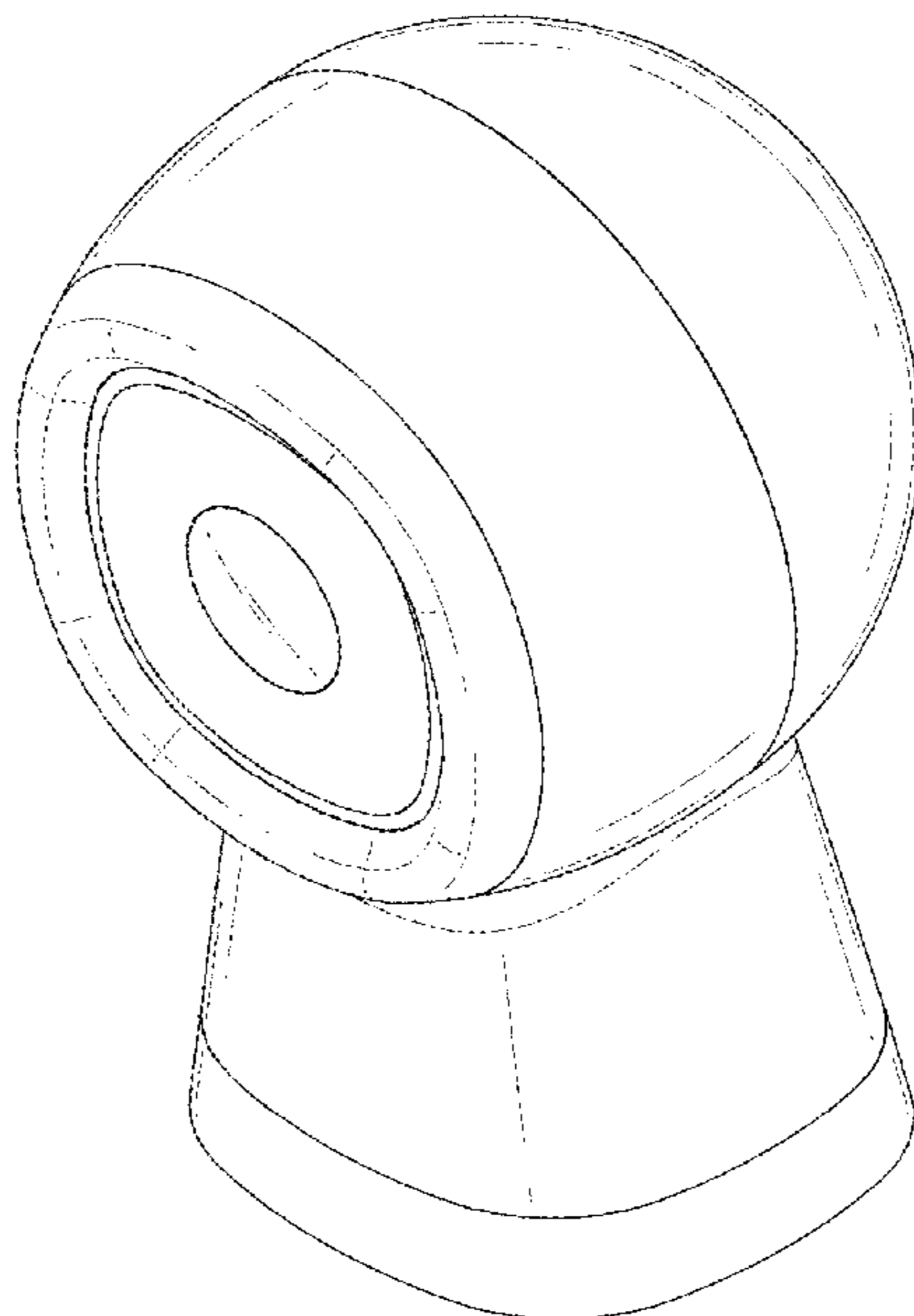


FIG. 1

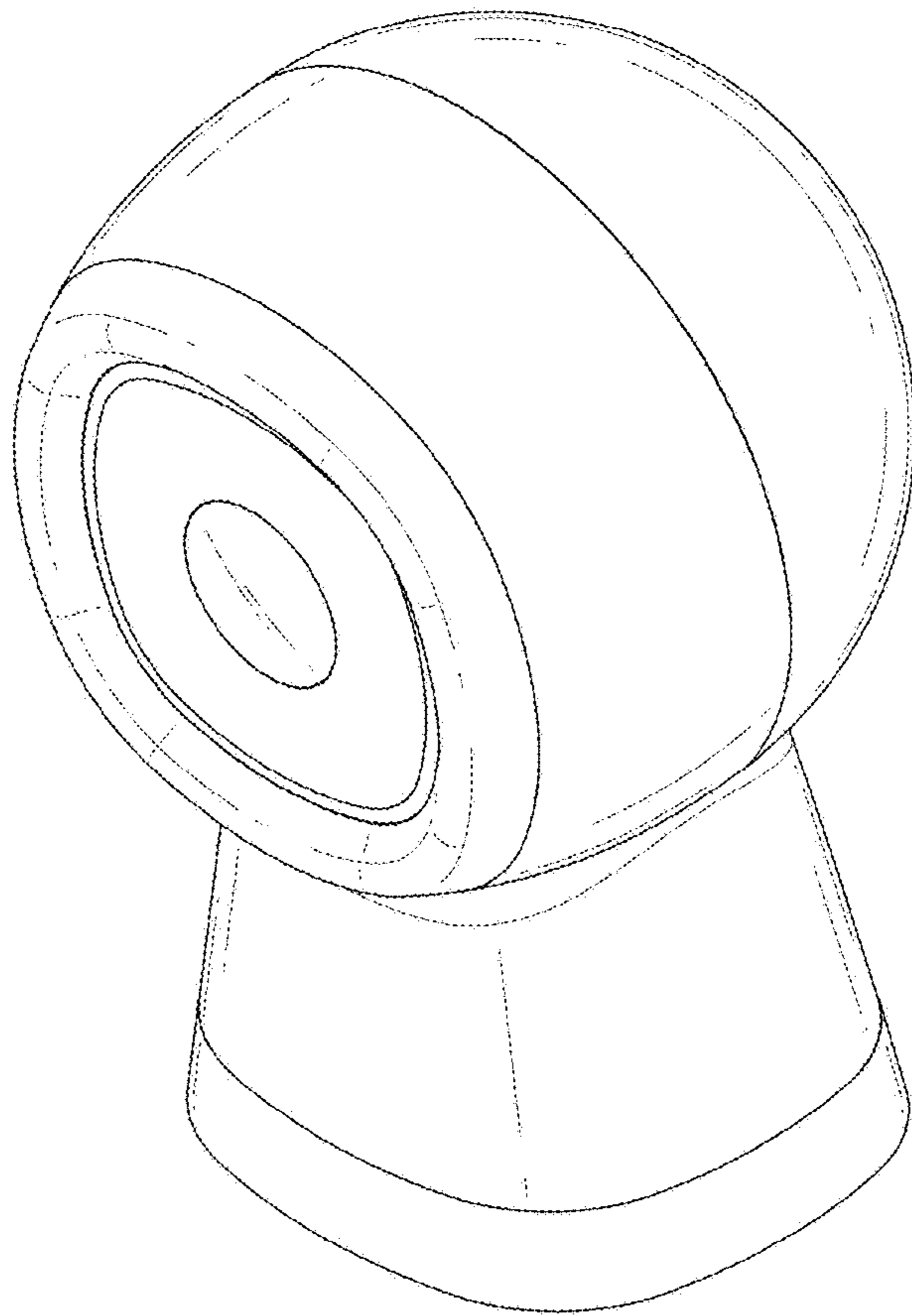


FIG. 2

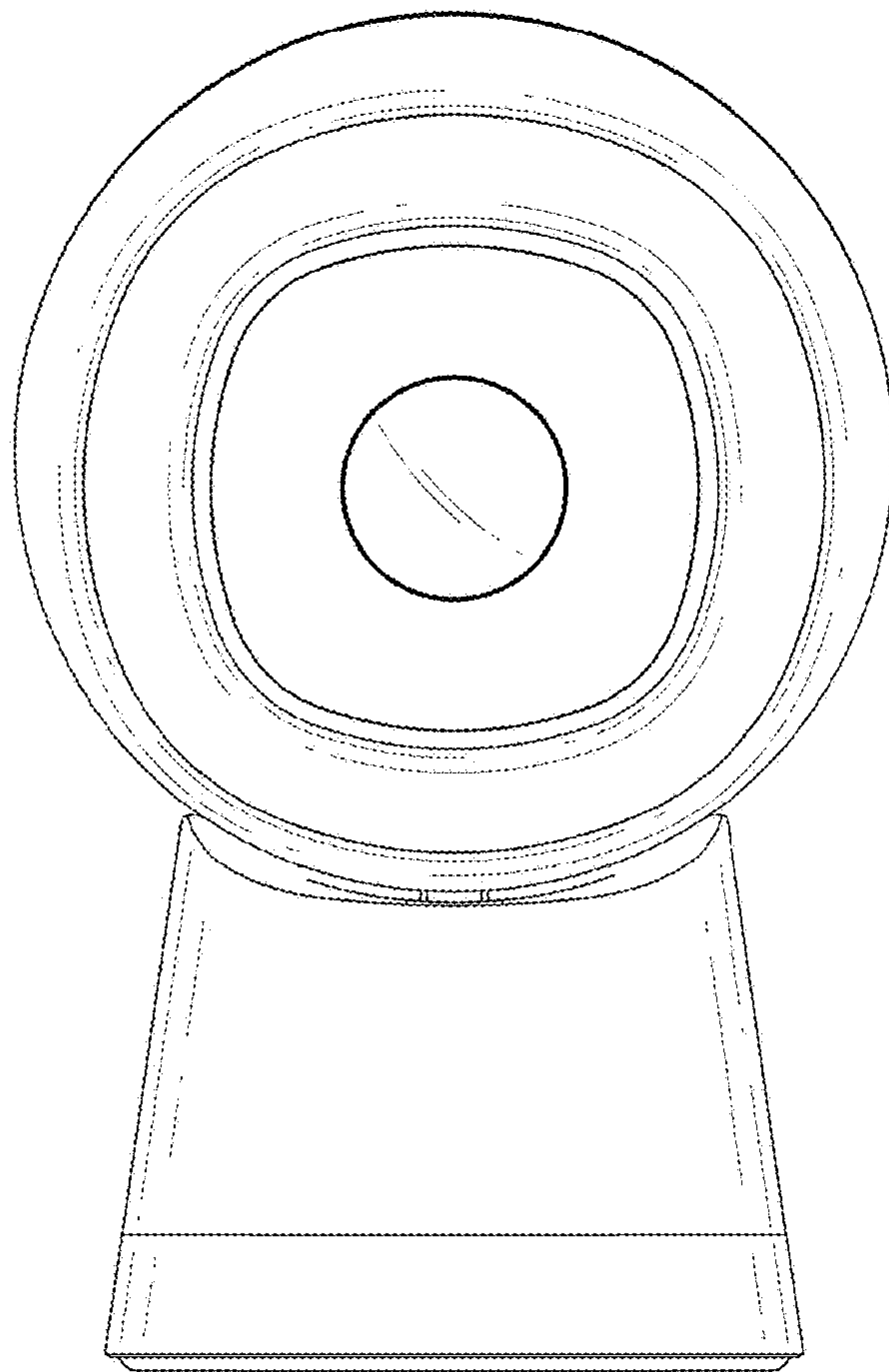


FIG. 3

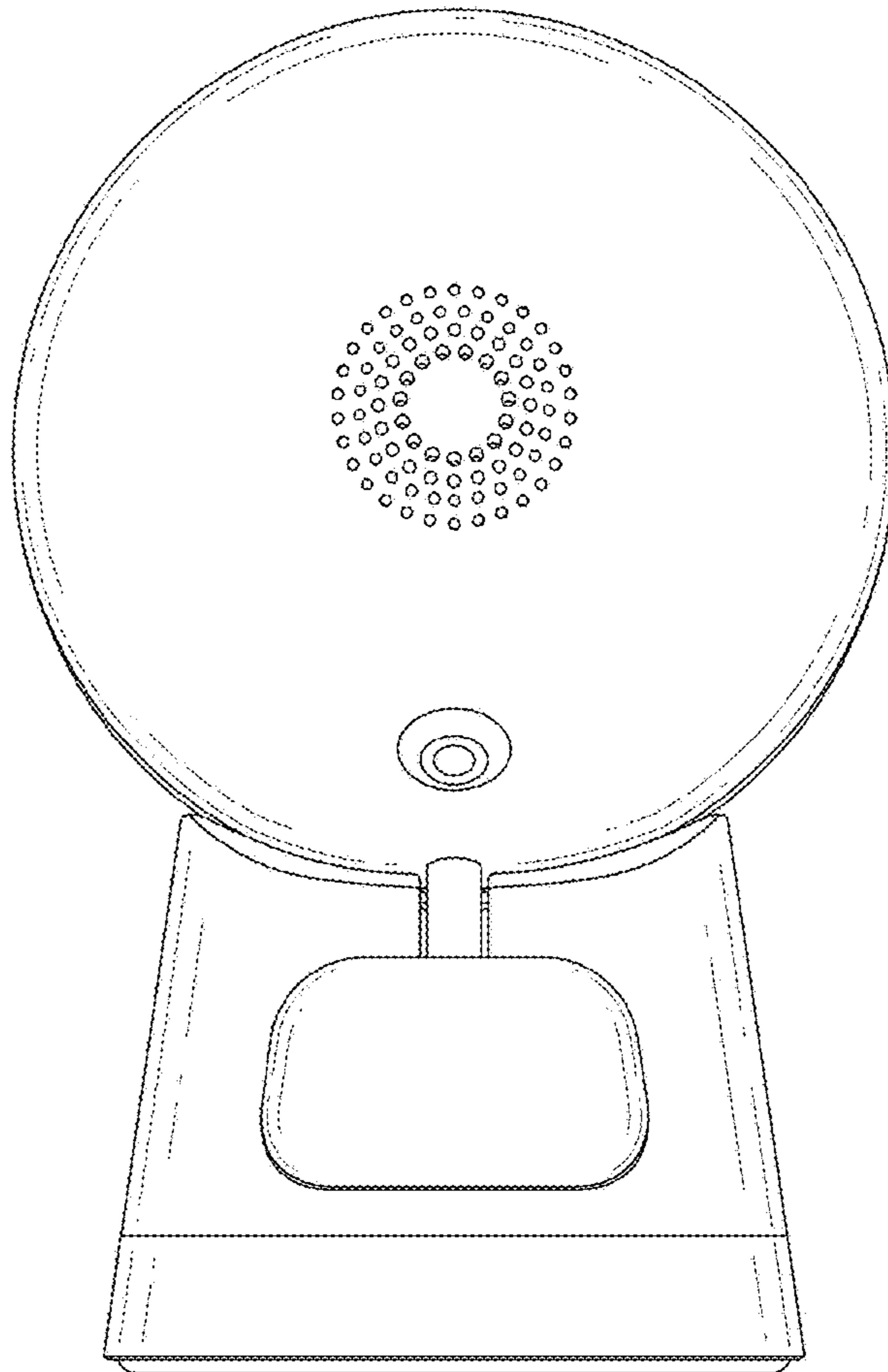


FIG. 4

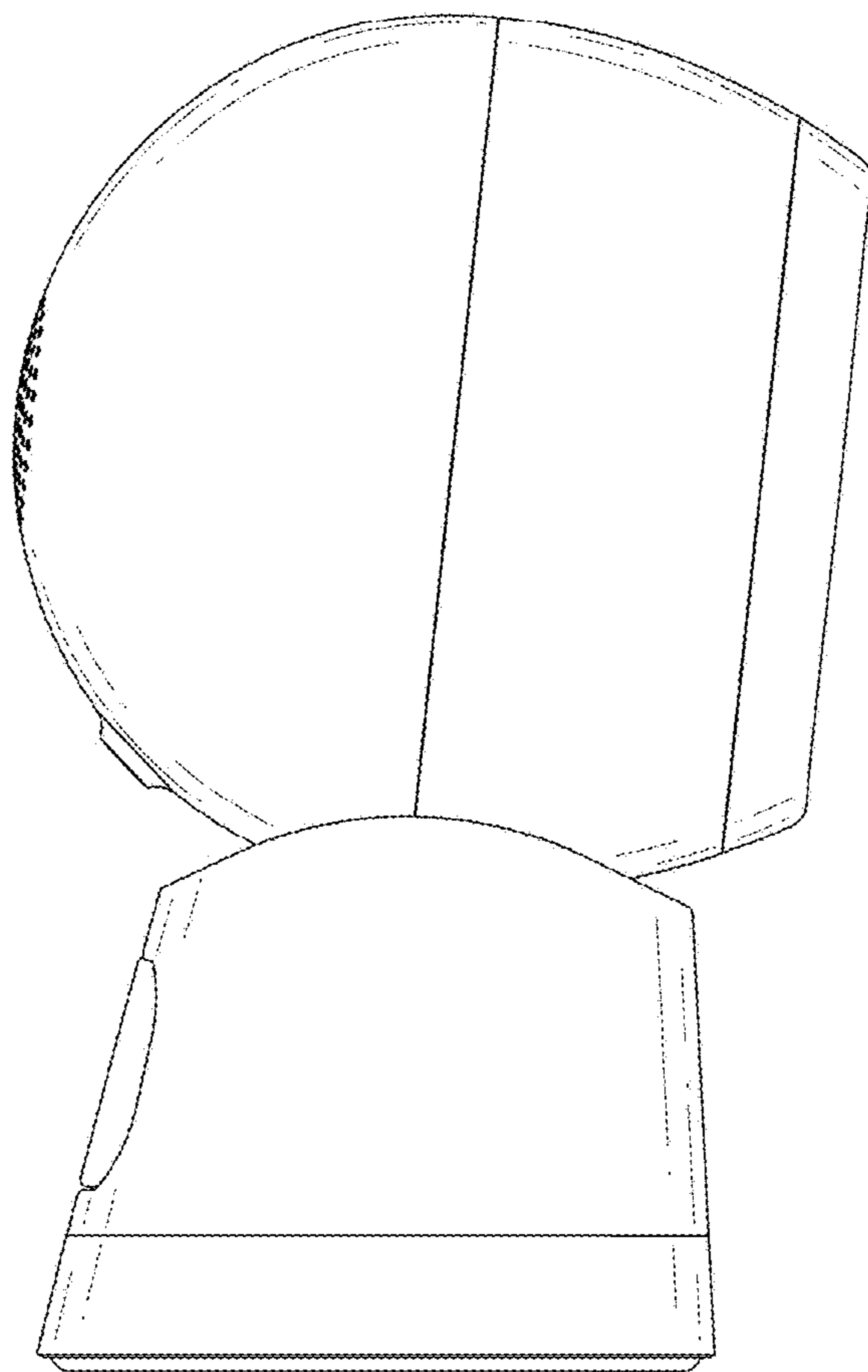


FIG. 5

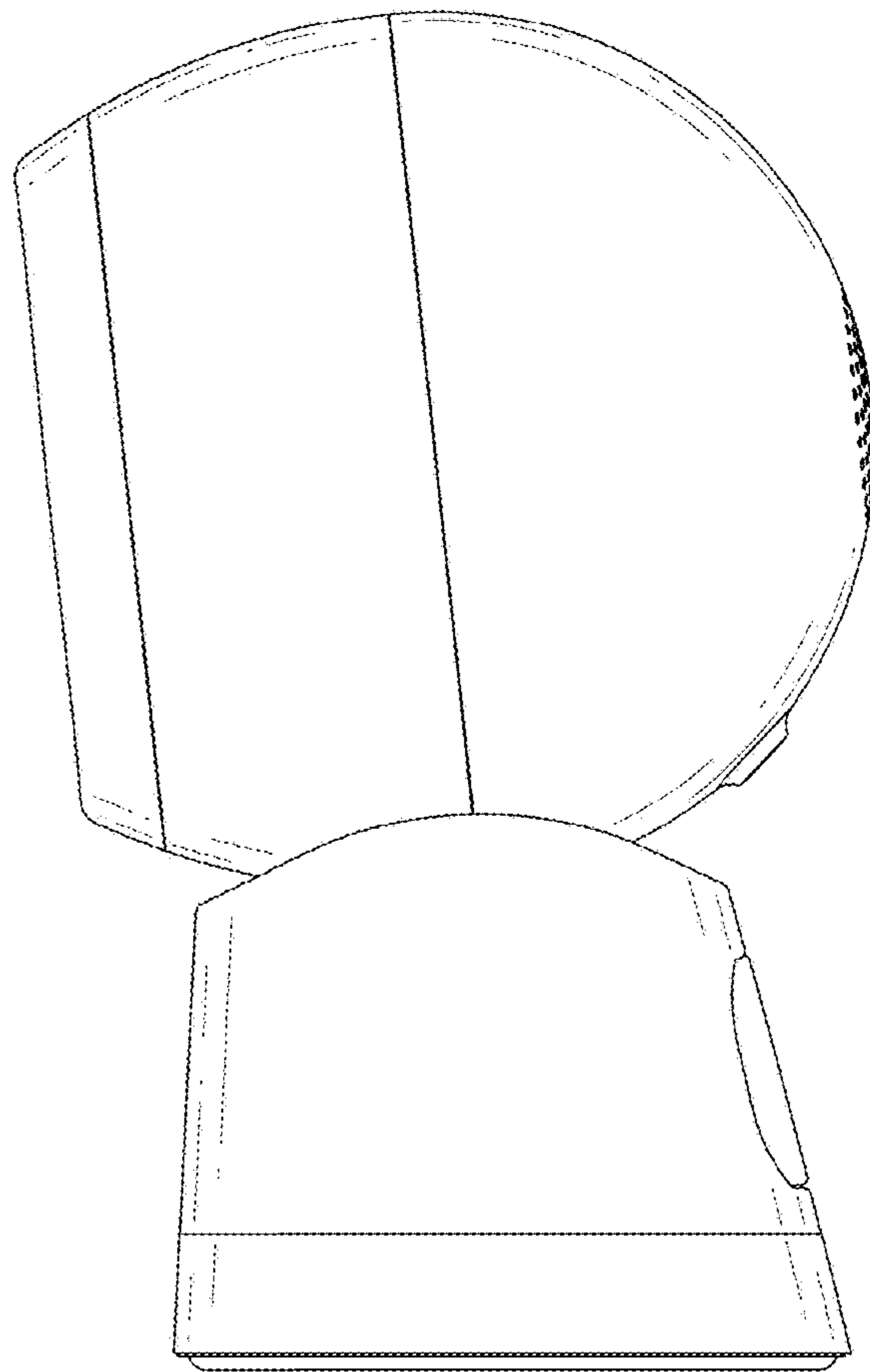


FIG. 6

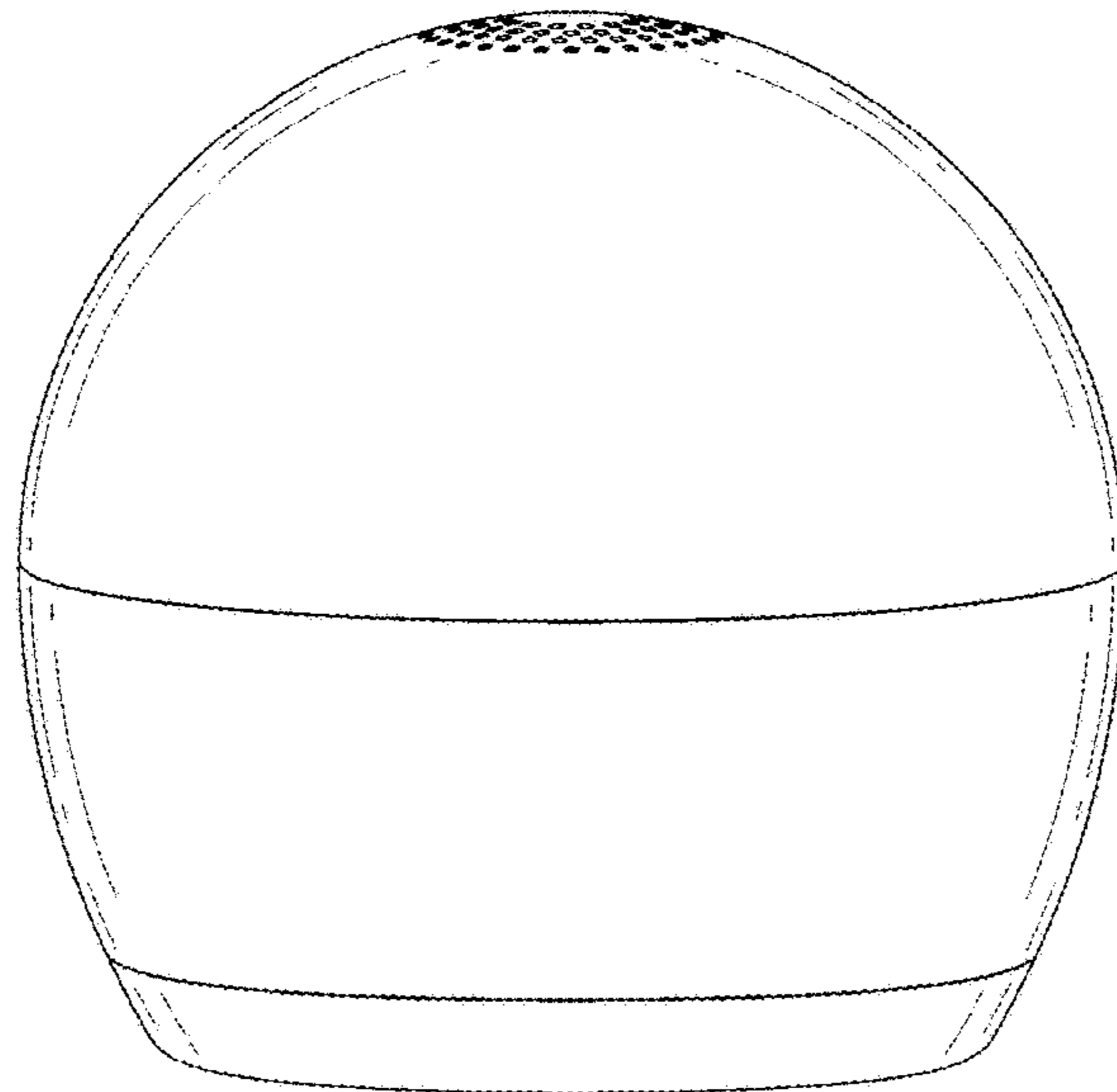


FIG. 7

