



US00D832906S

(12) **United States Design Patent** (10) **Patent No.:** **US D832,906 S**
Hasegawa et al. (45) **Date of Patent:** **** Nov. 6, 2018**

(54) **MONITORING CAMERA** D632,718 S * 2/2011 Tzeng D16/202
D632,719 S * 2/2011 Tsai D16/202
(71) Applicant: **Panasonic Intellectual Property** D649,573 S * 11/2011 Al D16/202
Management Co., Ltd., Osaka-shi, D729,296 S * 5/2015 Shelton D16/202
Osaka (JP) D730,421 S * 5/2015 Huang D16/202
D740,871 S * 10/2015 Moon D16/203
(72) Inventors: **Takashi Hasegawa,** Kyoto (JP); D748,709 S * 2/2016 Jeong D16/202
Atsushi Tani, Kyoto (JP); **Tadahito** D754,233 S * 4/2016 Du D16/211
Ishibashi, Kanagawa (JP) D764,559 S * 8/2016 Luo D16/202

FOREIGN PATENT DOCUMENTS

(73) Assignee: **PANASONIC INTELLECTUAL** CN 304089574 3/2017
PROPERTY MANAGEMENT CO., JP 1310799 S 9/2007
LTD., Osaka (JP) JP 1438528 S 4/2012

(**) Term: **15 Years** * cited by examiner

(21) Appl. No.: **29/615,788**
(22) Filed: **Aug. 31, 2017**
(74) *Attorney, Agent, or Firm* — Brinks Gilson & Lione

(51) **LOC (11) Cl.** **16-01**
(52) **U.S. Cl.**

(57) **CLAIM**

The ornamental design for a monitoring camera, as shown and described.

(58) **Field of Classification Search**
USPC **D16/203**
USPC D16/200, 202–206, 218, 219, 242;
348/143, 148, 151, 373–376; 396/419,
396/427, 535, 539–541
CPC G03B 17/02; G03B 19/04; G03B 17/56;
G03B 17/04; G03B 15/03; H04N 5/2251;
H04N 5/2252; H04N 5/2253; H04N
5/2254; H04N 7/181; H04N 7/183; H04N
7/18; G08B 13/1963; G08B 13/19619;
G08B 13/19632; F16M 11/04; F16M
13/00
See application file for complete search history.

DESCRIPTION

FIG. 1 is a front and top perspective view of a monitoring camera of the present invention;
FIG. 2 is a front view thereof;
FIG. 3 is a rear view thereof;
FIG. 4 is a first side view thereof;
FIG. 5 is a second side view thereof;
FIG. 6 is a top view thereof; and,
FIG. 7 is a bottom view thereof.

(56) **References Cited**

U.S. PATENT DOCUMENTS

7,202,904 B2 * 4/2007 Wei F16M 11/10
348/14.05
D550,266 S * 9/2007 Lau D16/202

The broken lines depict portions of the monitoring camera in which the design is embodied that form no part of the claimed design. Additionally, the dash-dot lines denote the boundary of the claim and form no part of the claimed design.

1 Claim, 7 Drawing Sheets

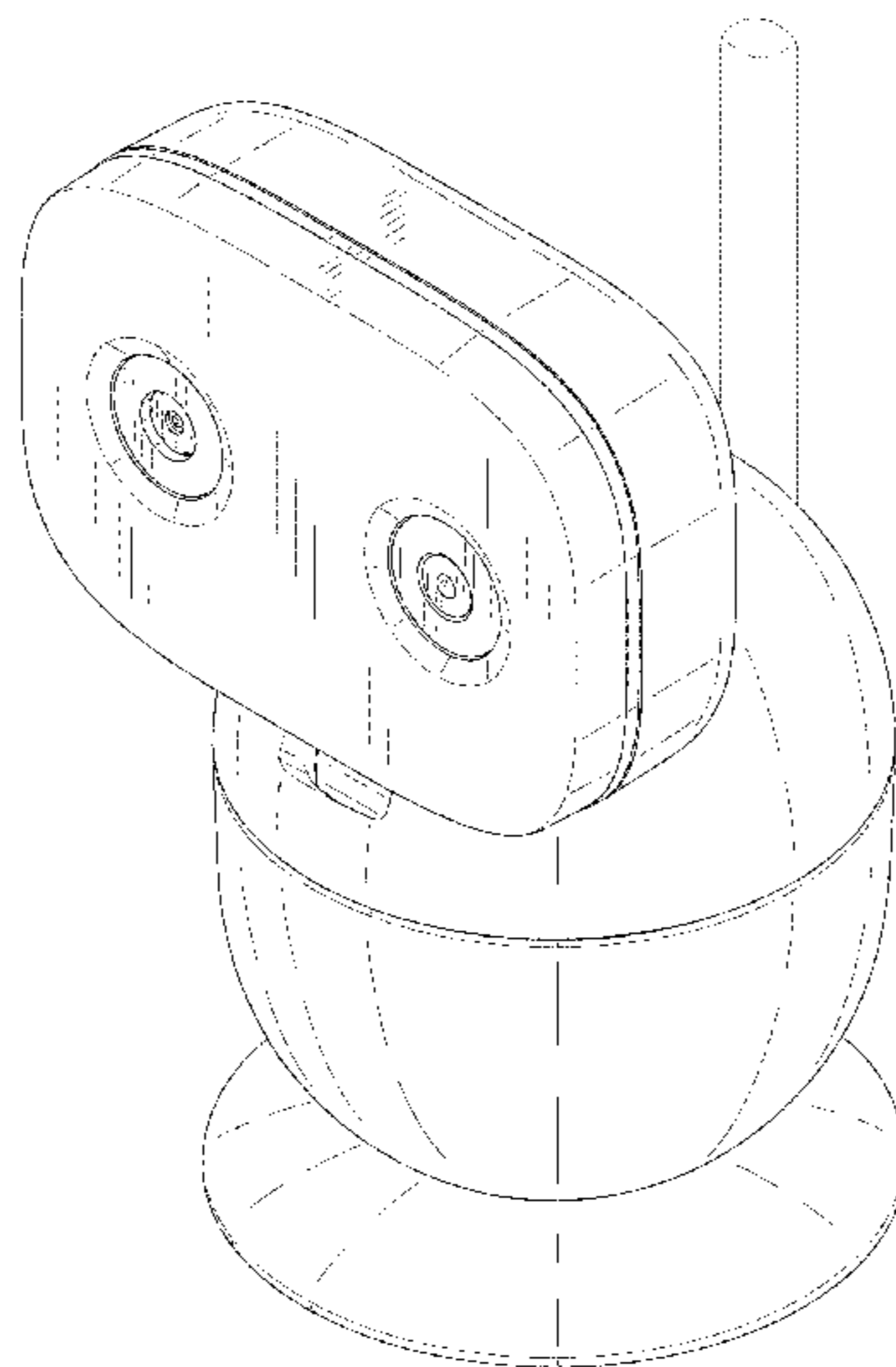


FIG. 1

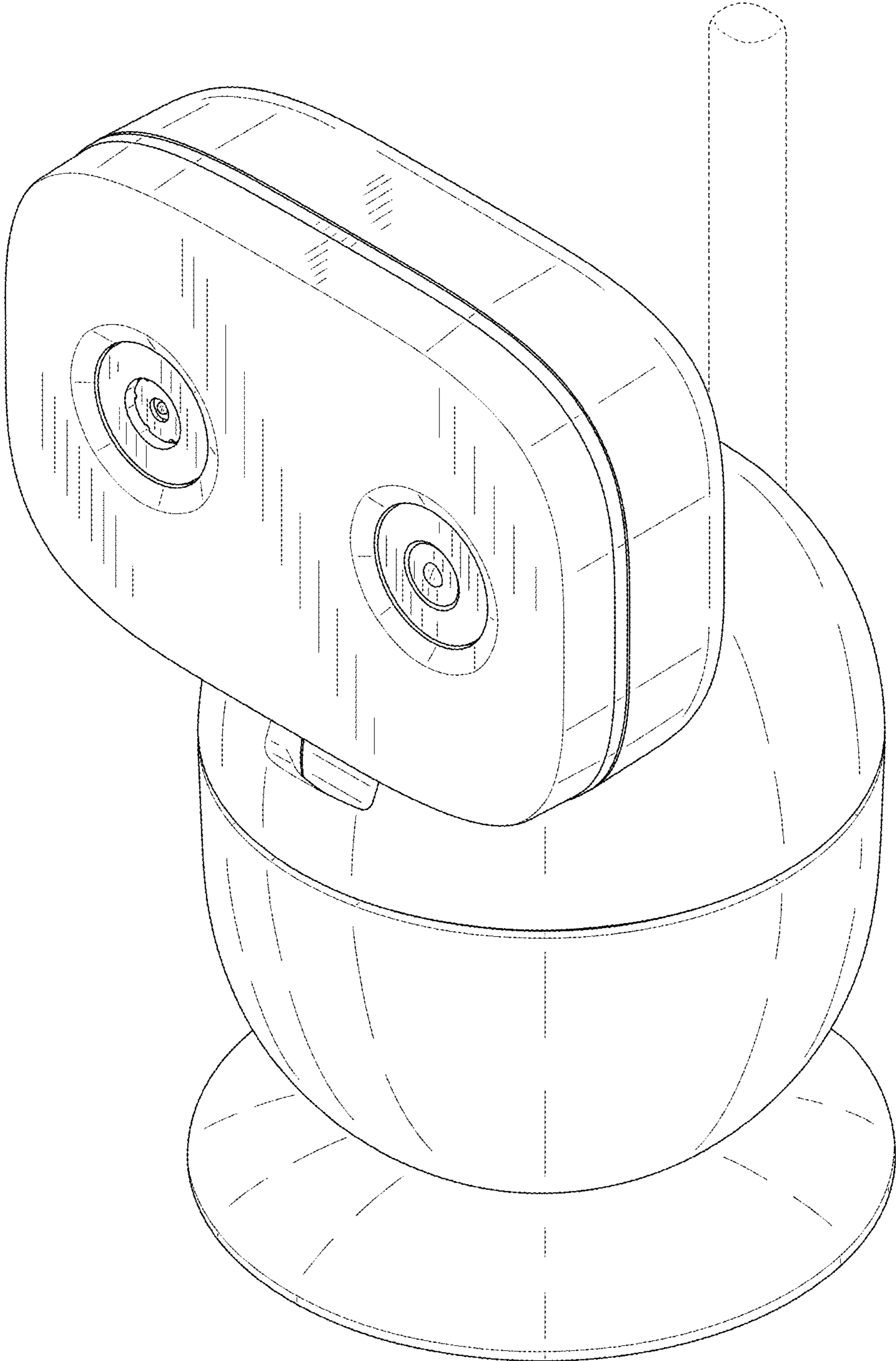


FIG. 2

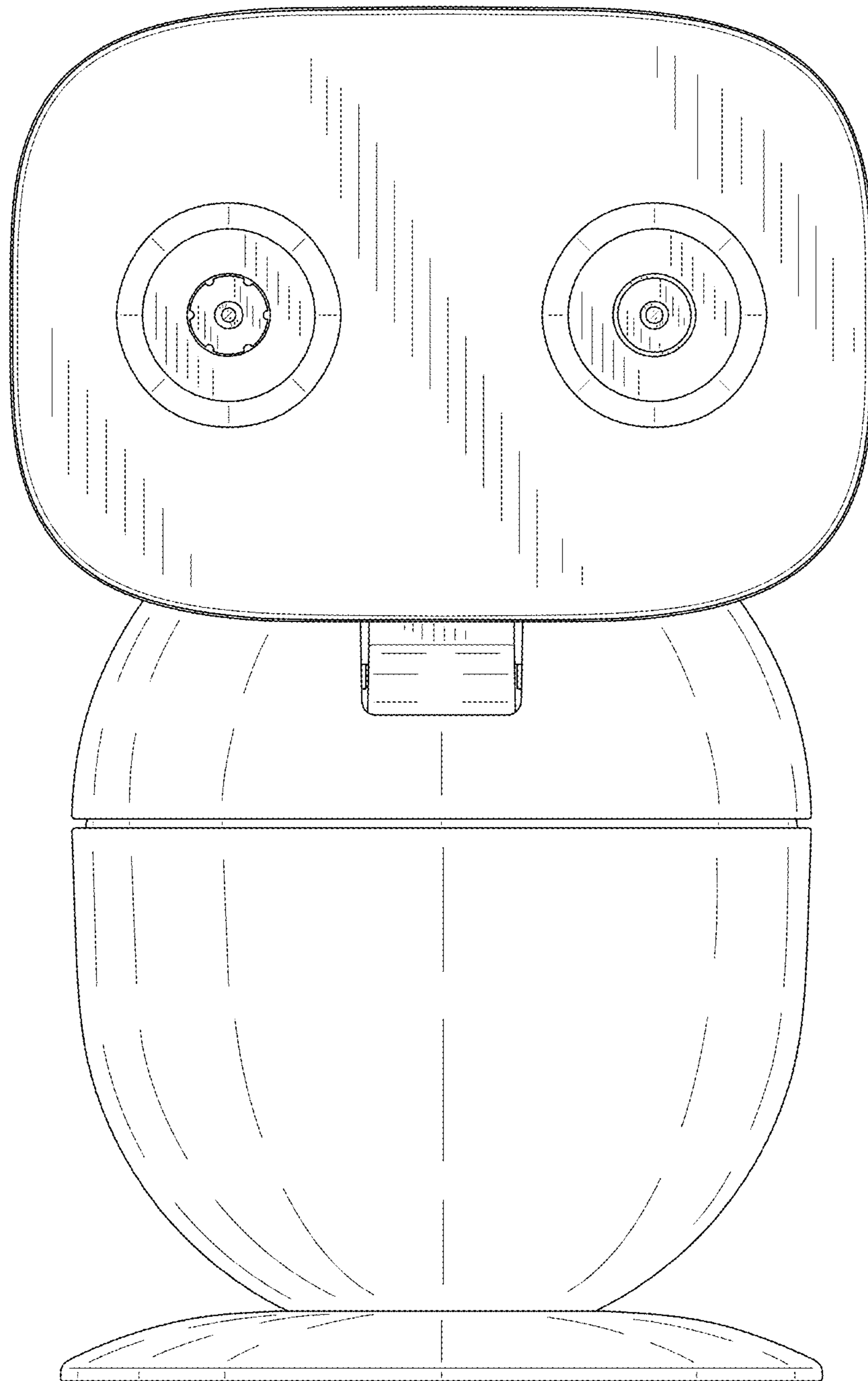


FIG. 3

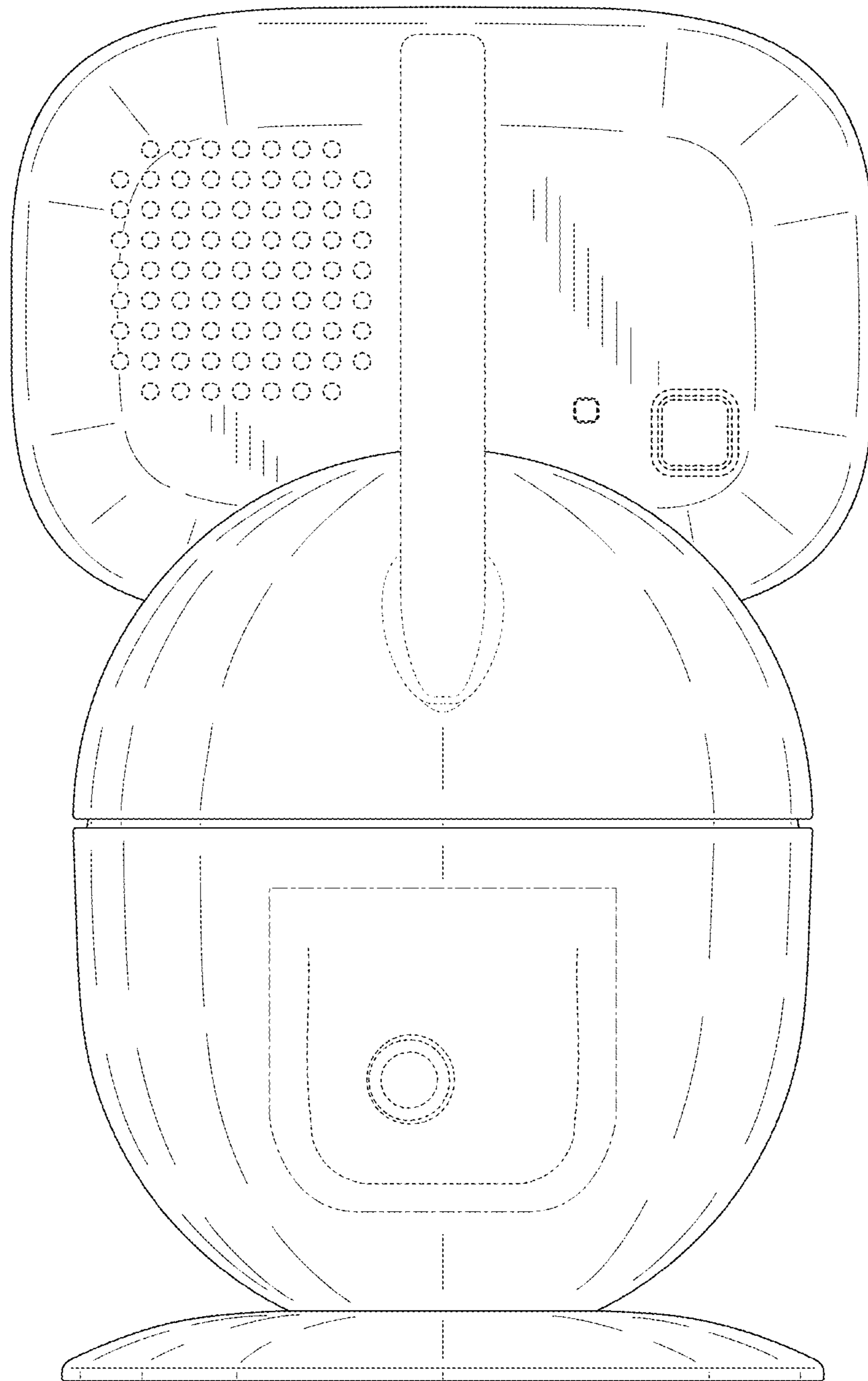


FIG. 4

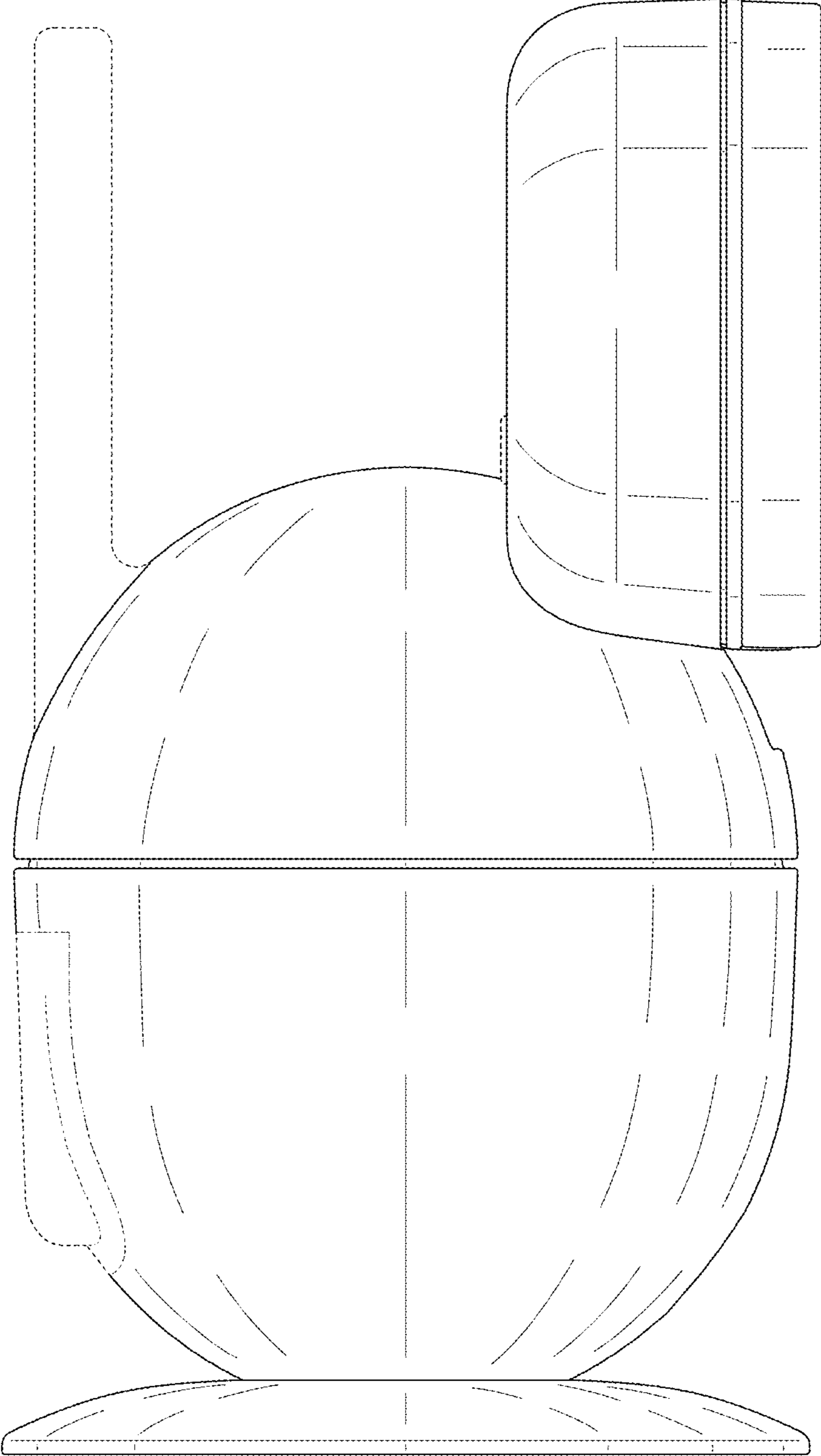


FIG. 5

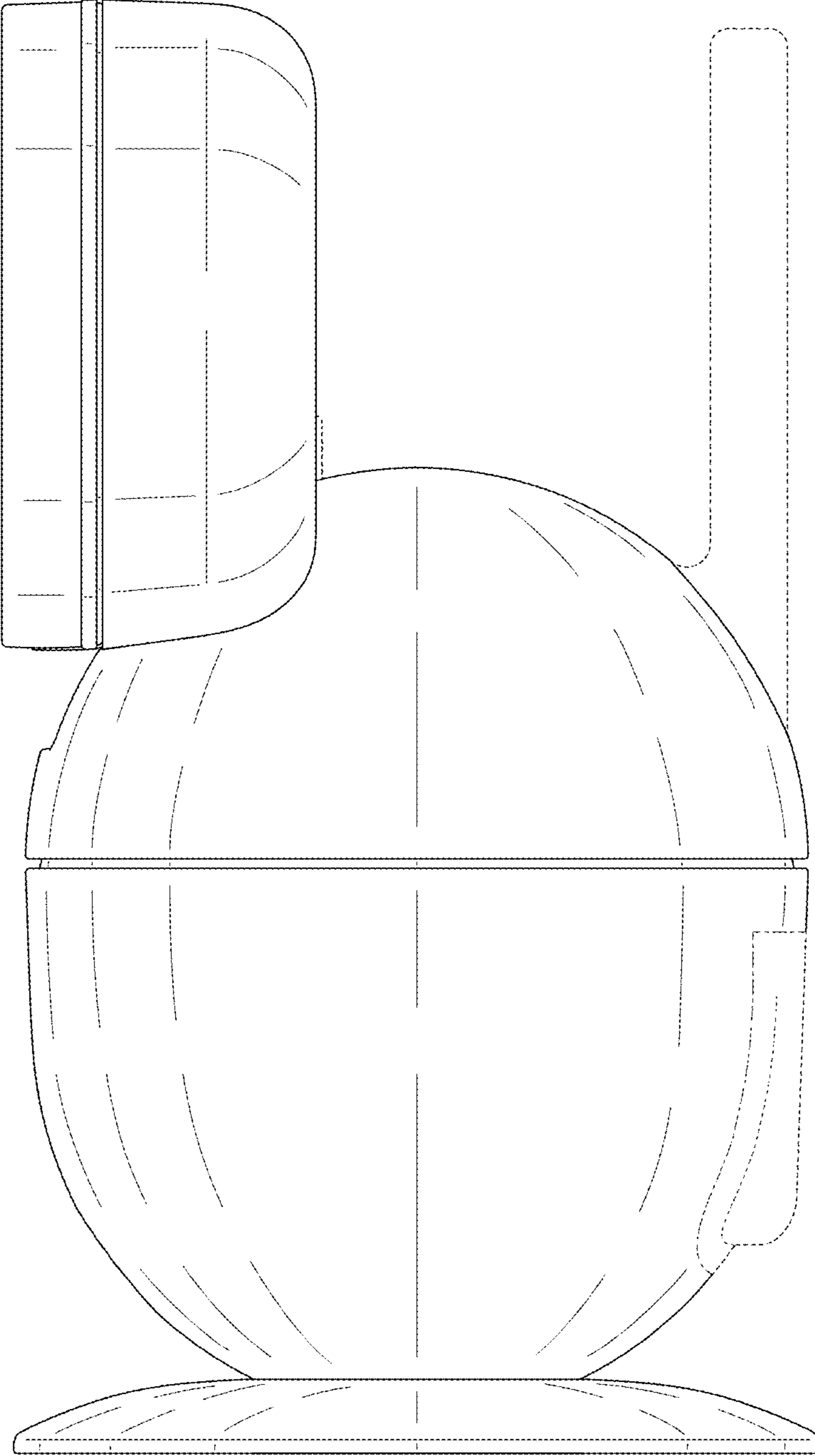


FIG. 6

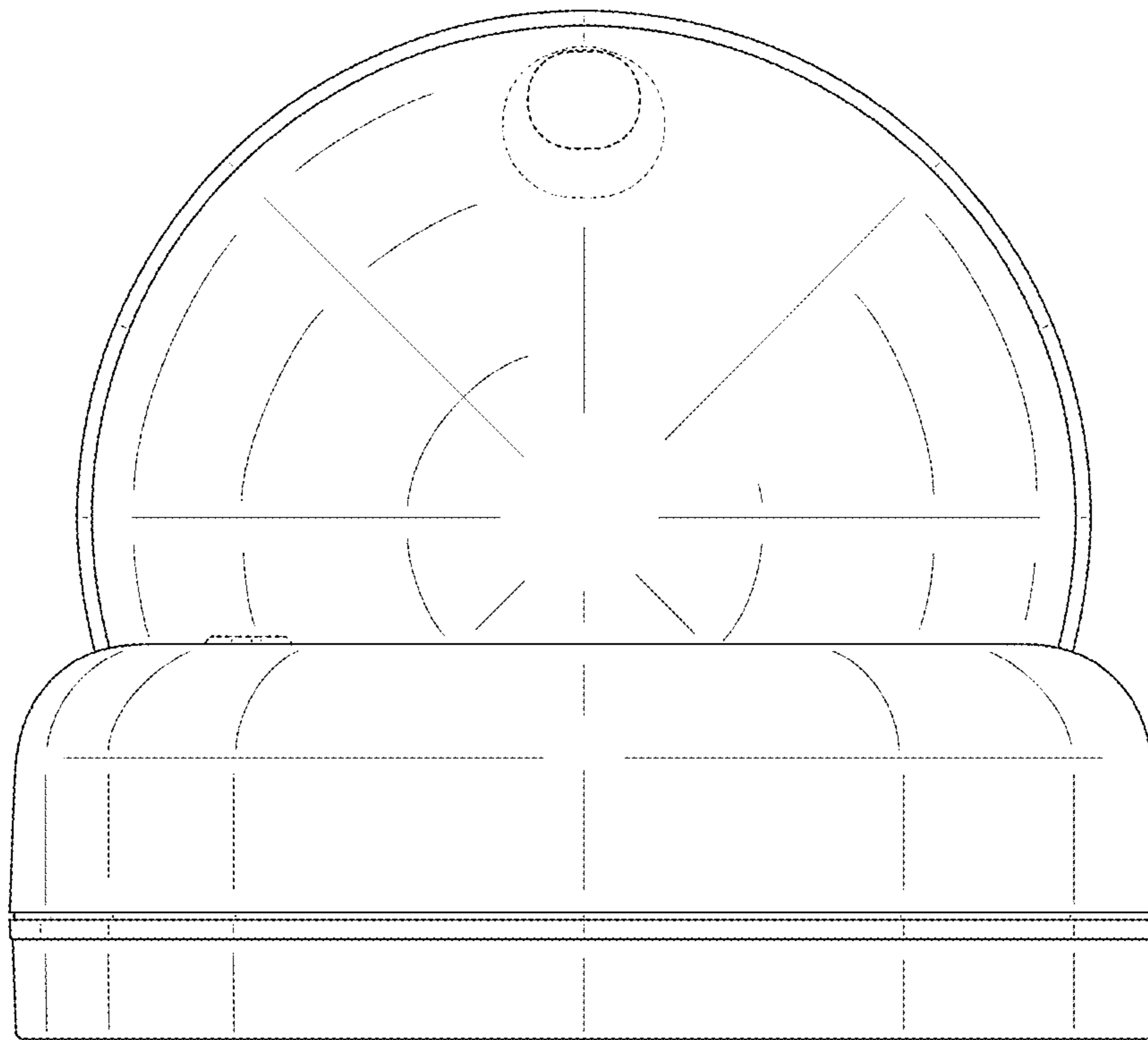


FIG. 7

