



US00D832905S

(12) **United States Design Patent**
Liu

(10) **Patent No.:** **US D832,905 S**

(45) **Date of Patent:** **** Nov. 6, 2018**

(54) **CAMERA**

(71) Applicant: **Shenzhen SaiNa Electronic Technology Co., Ltd**, Shenzhen, Guangdong (CN)

(72) Inventor: **Zuting Liu**, Tianjin (CN)

(73) Assignee: **SHENZHEN SAINA ELECTRONIC TECHNOLOGY CO., LTD**, Shenzhen (CN)

(**) Term: **15 Years**

(21) Appl. No.: **29/619,447**

(22) Filed: **Sep. 29, 2017**

(51) **LOC (11) Cl.** **16-01**

(52) **U.S. Cl.**
USPC **D16/202**

(58) **Field of Classification Search**
USPC D16/200, 202–206, 208, 209, 218, 219;
348/294, 373–376; 359/826; 396/6, 301,
396/529, 535, 539–541
CPC G03B 15/03; G03B 17/02; G03B 17/04;
G03B 17/56; G03B 19/04; H04N 5/2251;
H04N 5/2252; H04N 5/2253; H04N
5/2254; H04N 2101/00
See application file for complete search history.

(56) **References Cited**

U.S. PATENT DOCUMENTS

D321,705 S * 11/1991 Ohmura D16/200
D532,030 S * 11/2006 Yoshida D16/202

D533,574 S * 12/2006 Hamamura D16/202
7,626,621 B2 * 12/2009 Ito H04N 5/2253
348/294
7,683,968 B2 * 3/2010 Hagihara G02B 27/0006
348/373
D721,395 S * 1/2015 Woodman D16/218
D737,879 S * 9/2015 Woodman D16/218
D750,686 S * 3/2016 Chen D16/218
D751,131 S * 3/2016 Woodman D16/218
D760,309 S * 6/2016 Parfitt D16/202
D766,351 S * 9/2016 Li D16/202
D769,346 S * 10/2016 Nguyen D16/218
D775,254 S * 12/2016 Parfitt D16/202

* cited by examiner

Primary Examiner — Philip S Hyder
Assistant Examiner — Ramzi Almatrahi

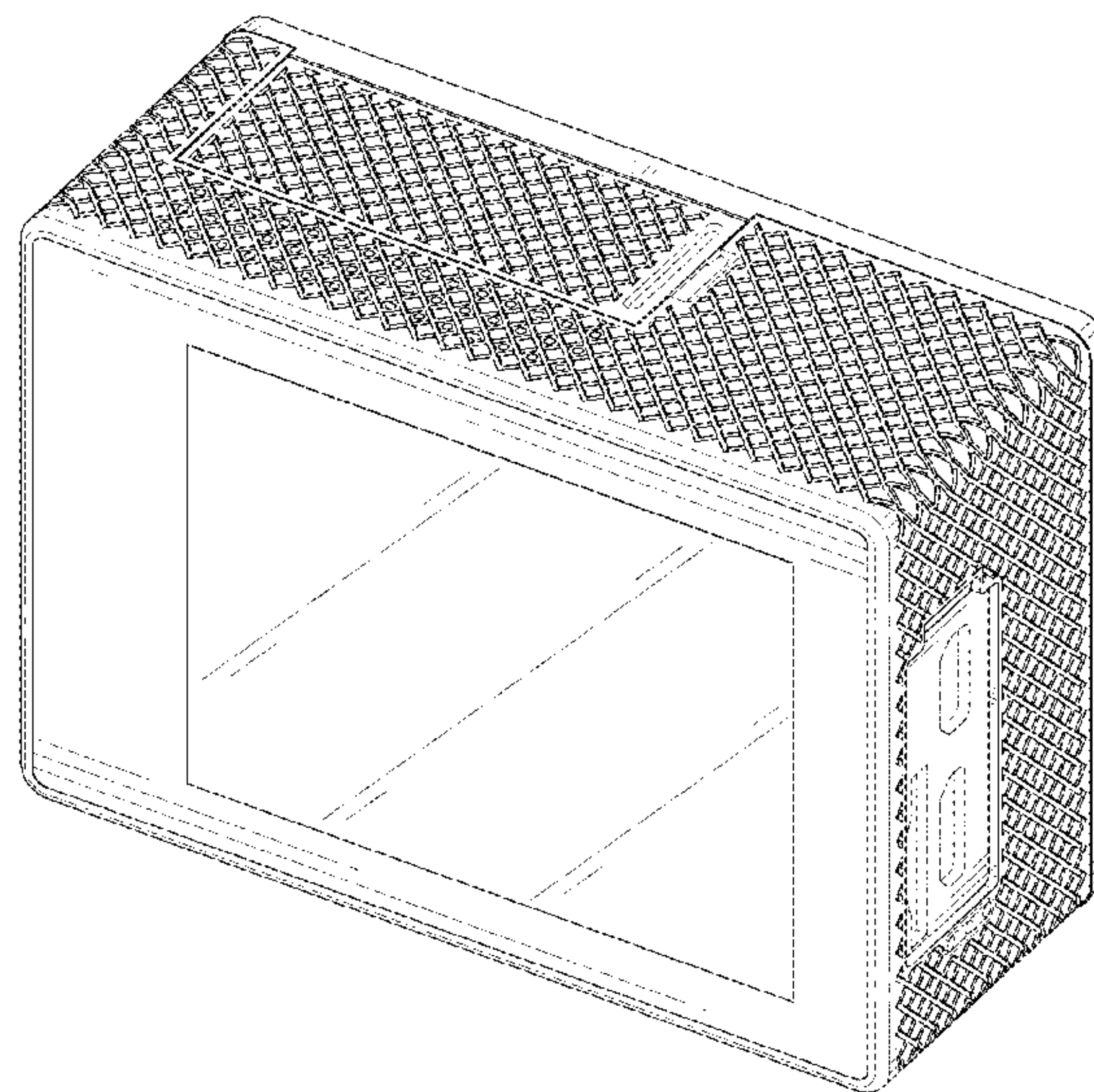
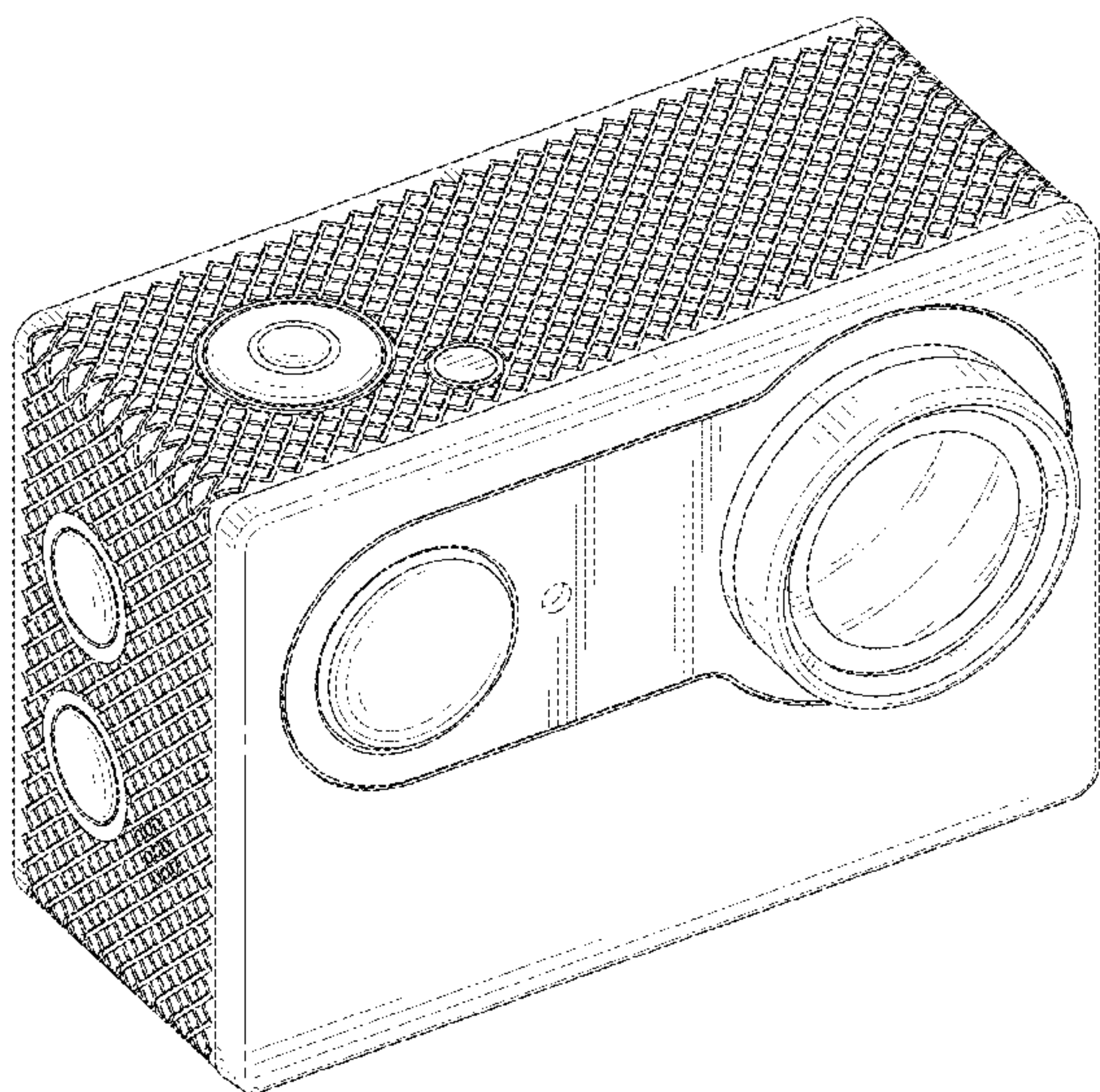
(57) **CLAIM**

The ornamental design for a camera, as shown and described.

DESCRIPTION

FIG. 1 is a top and front perspective view of a camera showing my new design;
FIG. 2 is a bottom and rear perspective view thereof;
FIG. 3 is a front elevational view thereof;
FIG. 4 is a rear elevational view thereof;
FIG. 5 is a left side view thereof;
FIG. 6 is a right side view thereof;
FIG. 7 is a top plan view thereof; and,
FIG. 8 is a bottom plan view thereof.
The broken lines depict portions of the camera in which the design is embodied that form no part of the claimed design.

1 Claim, 8 Drawing Sheets



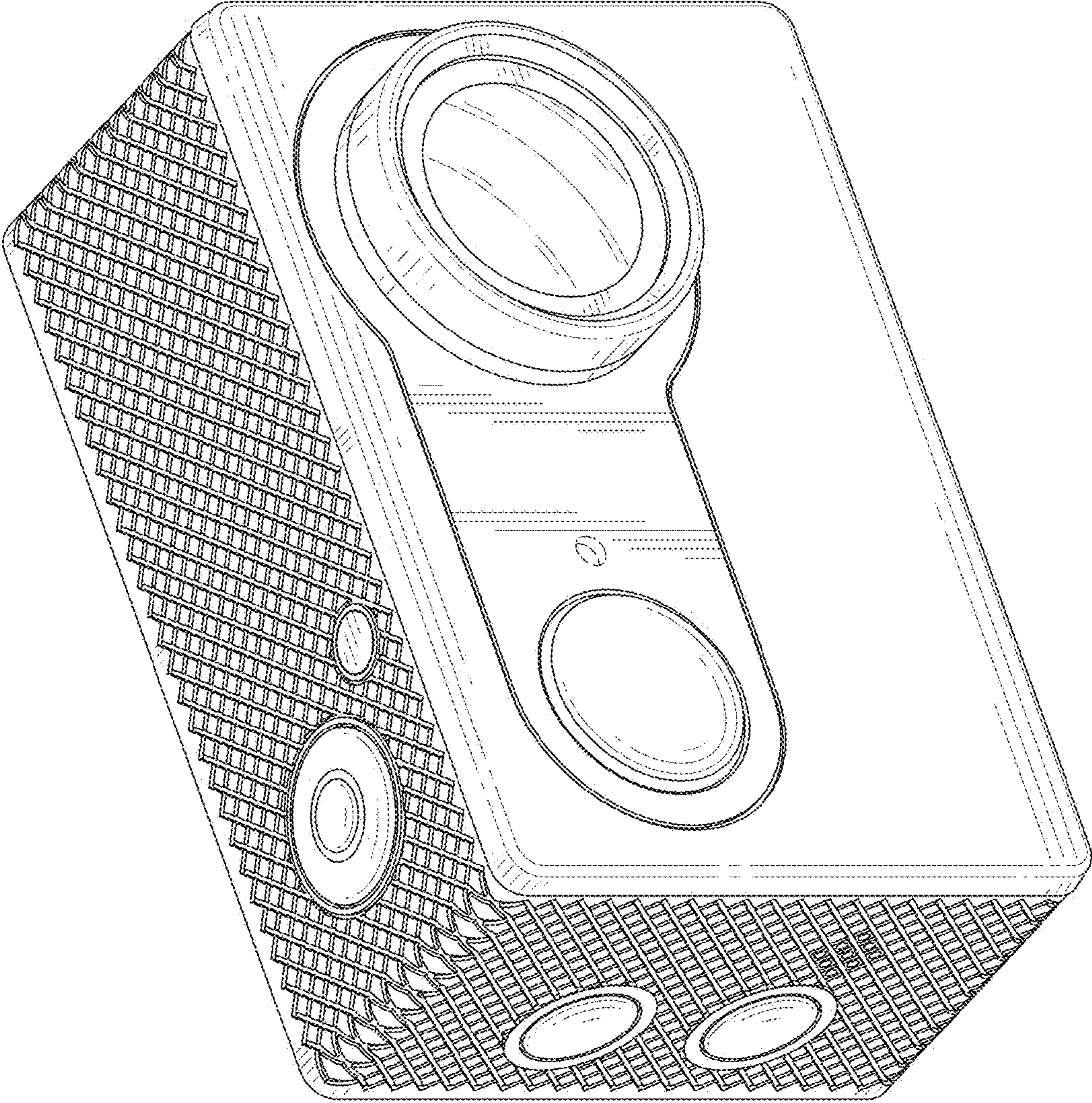


FIG. 1

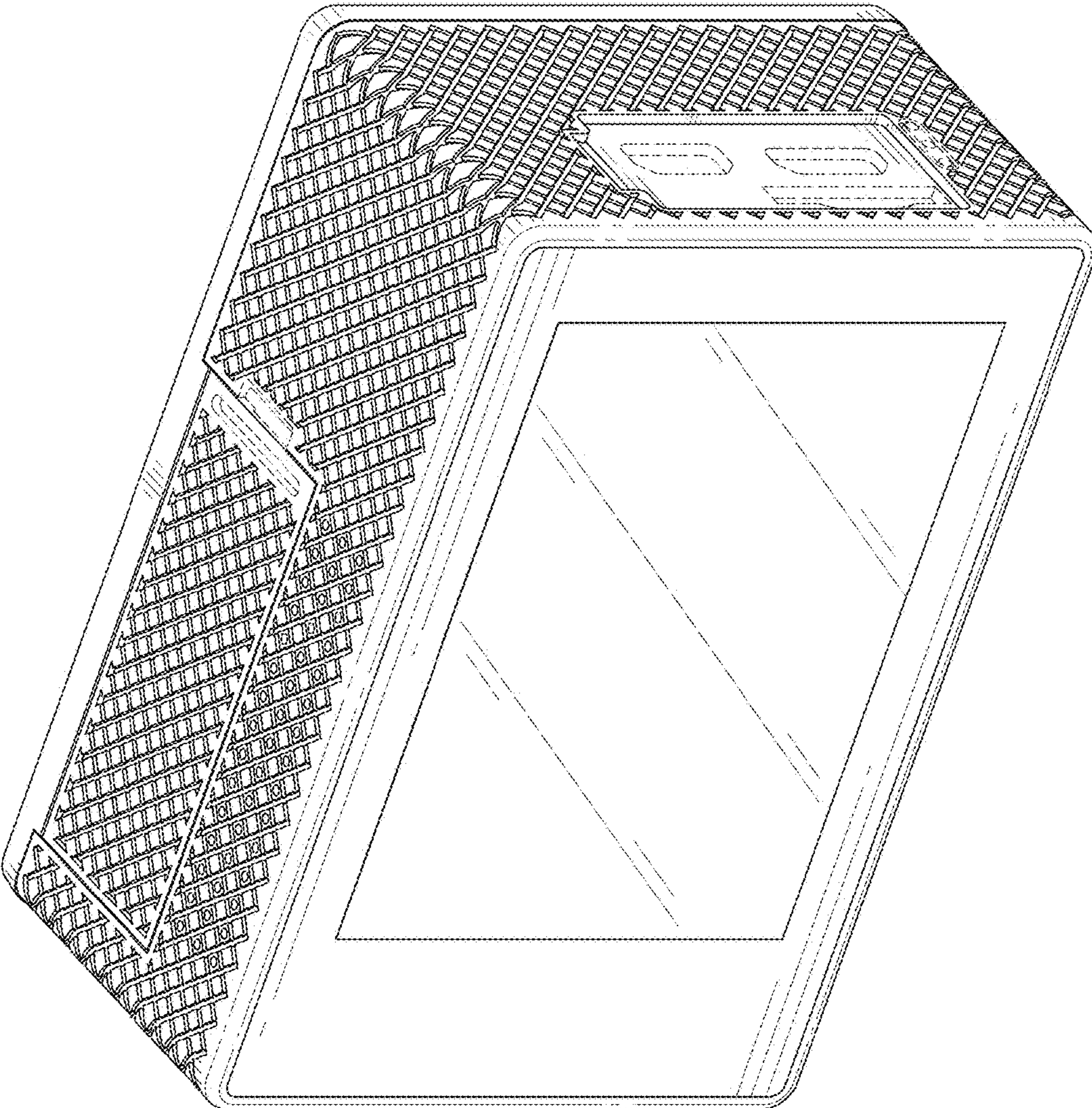


FIG. 2

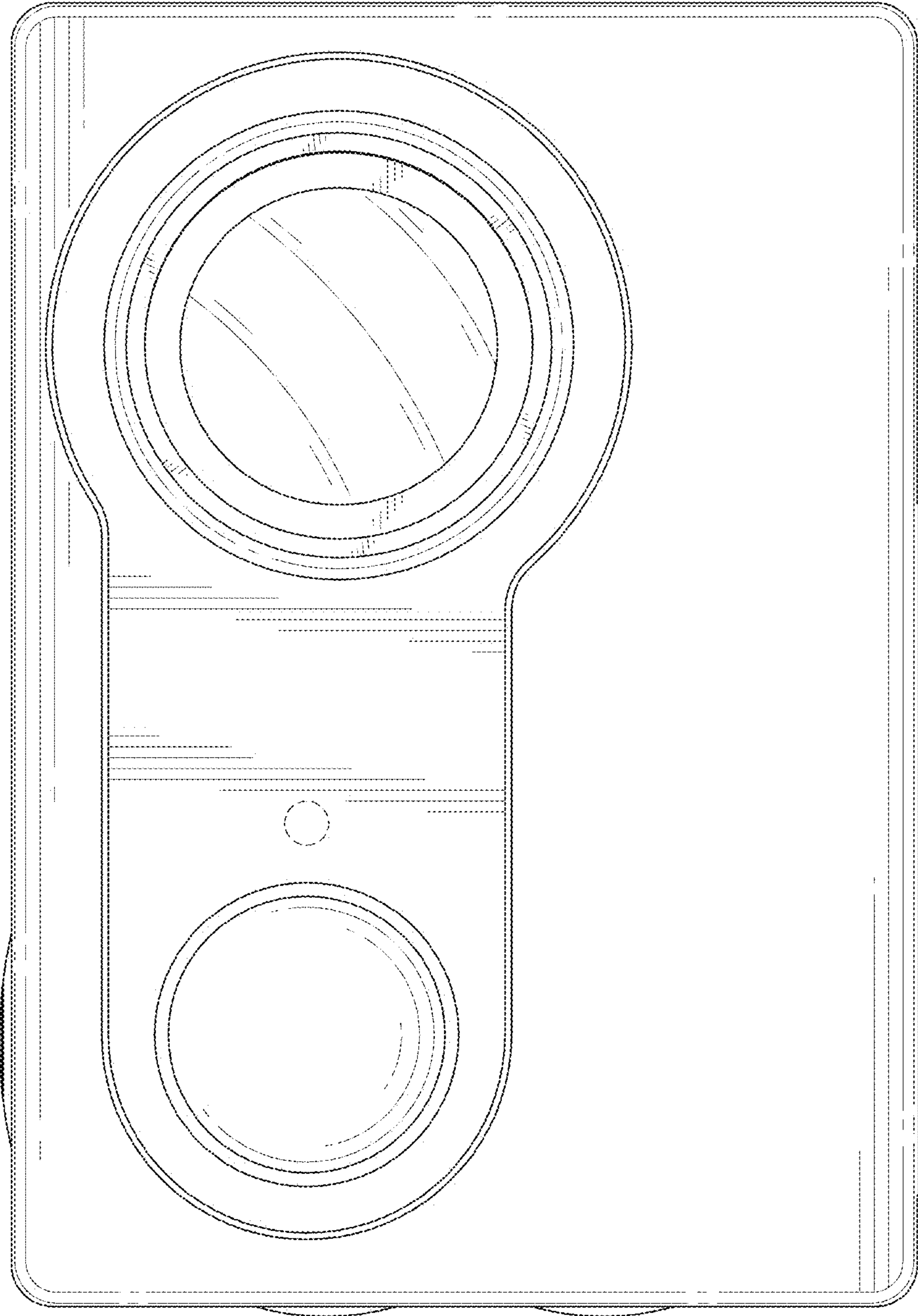


FIG. 3

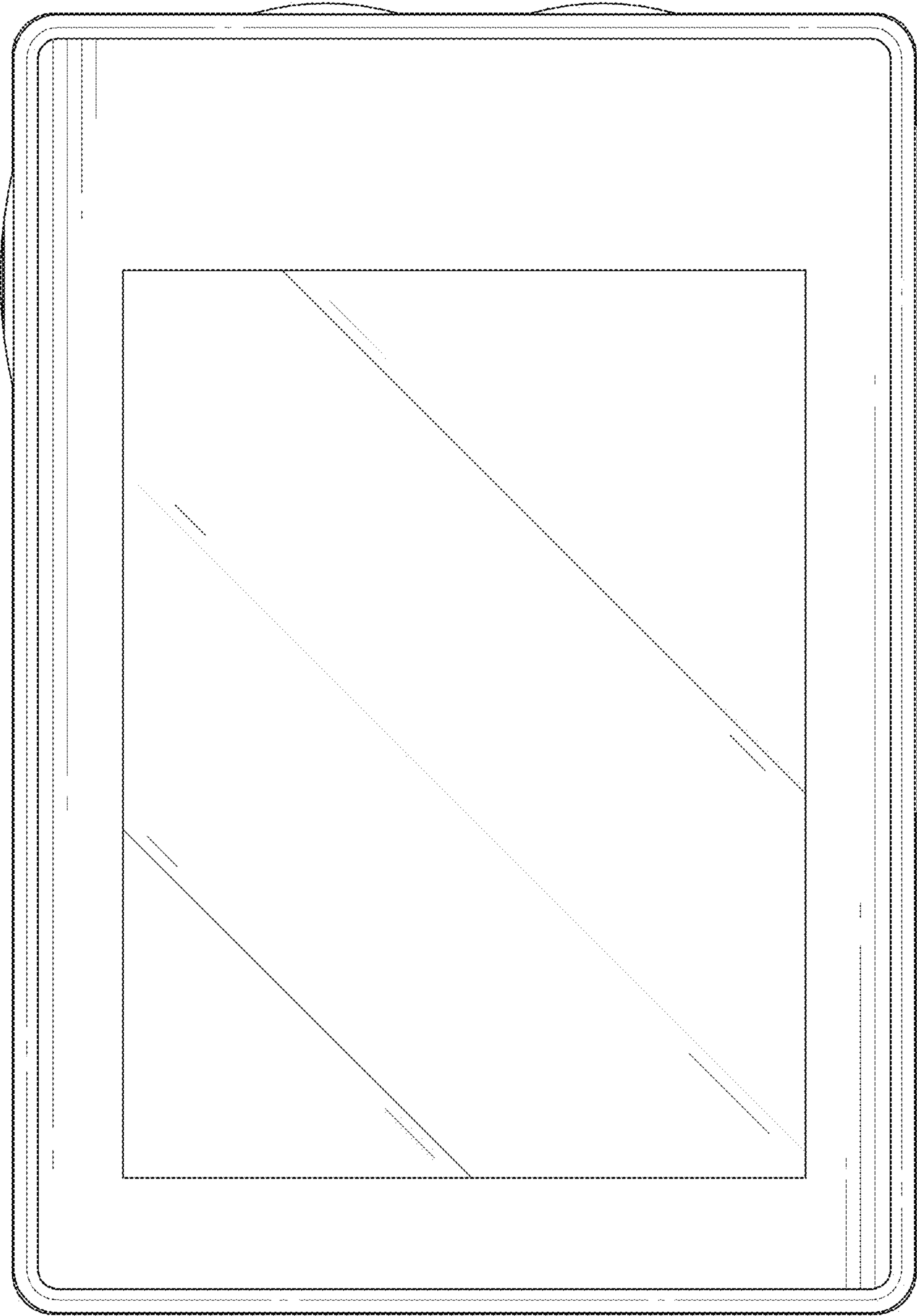


FIG. 4

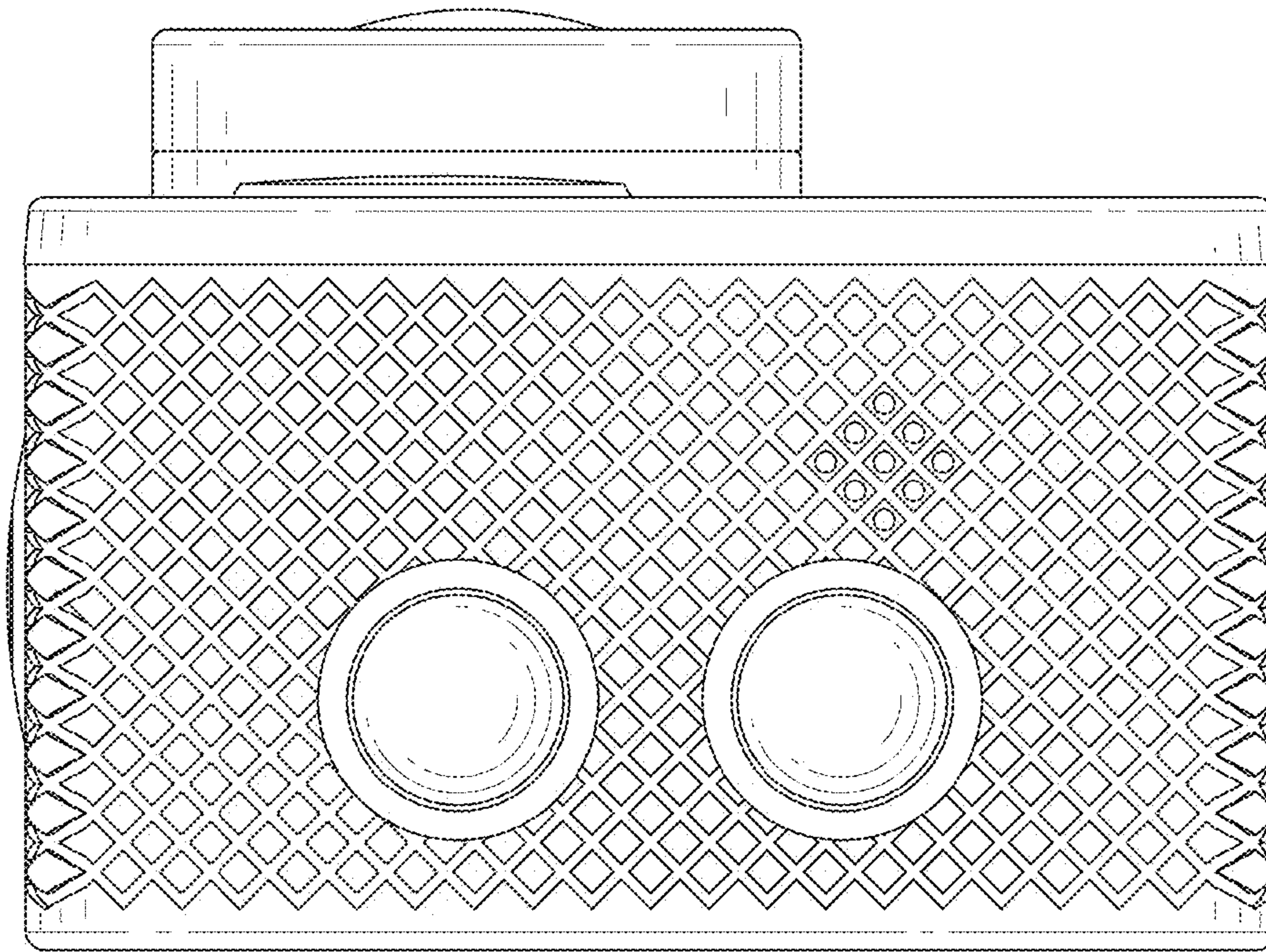


FIG. 5

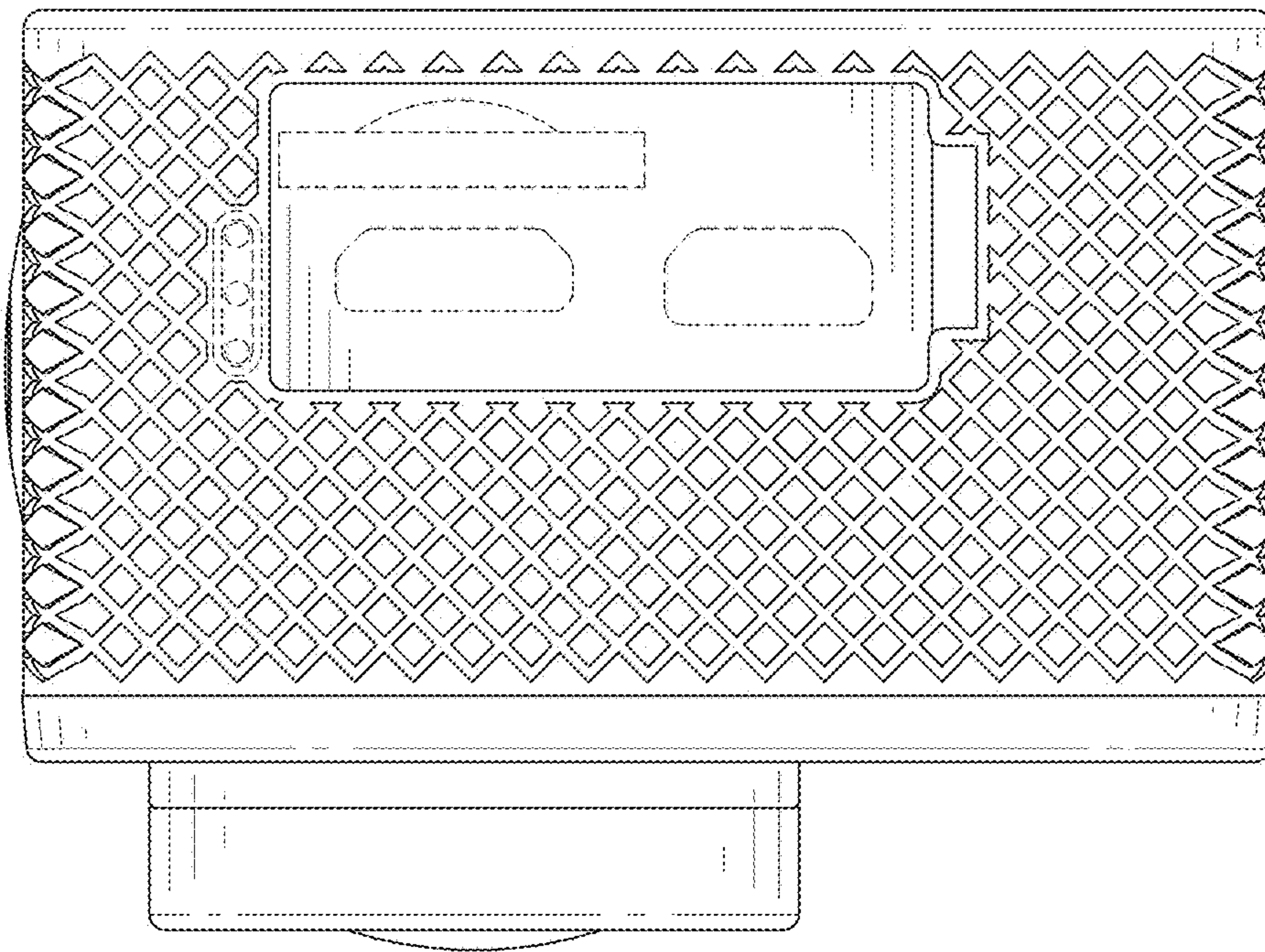


FIG. 6

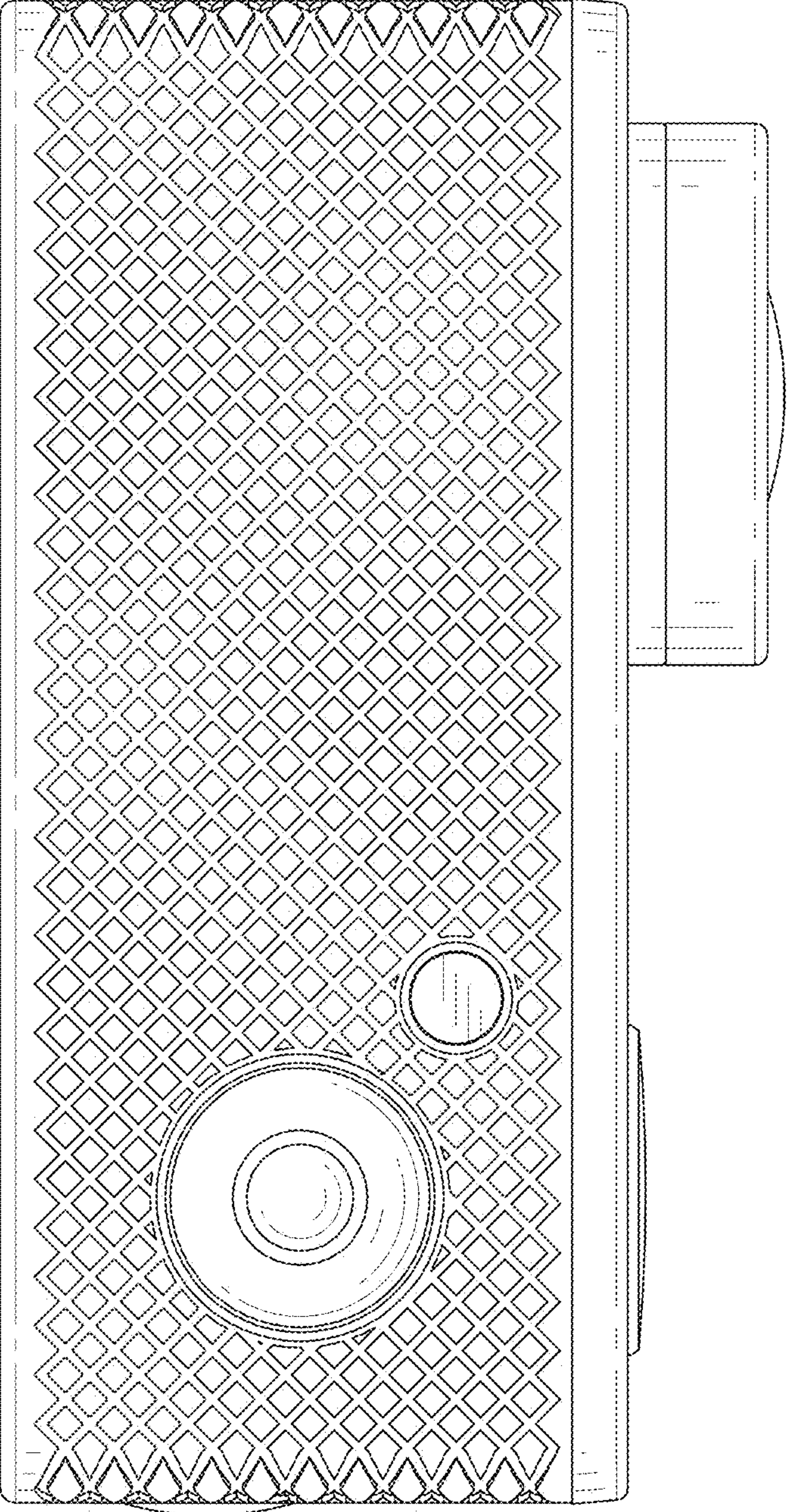


FIG. 7

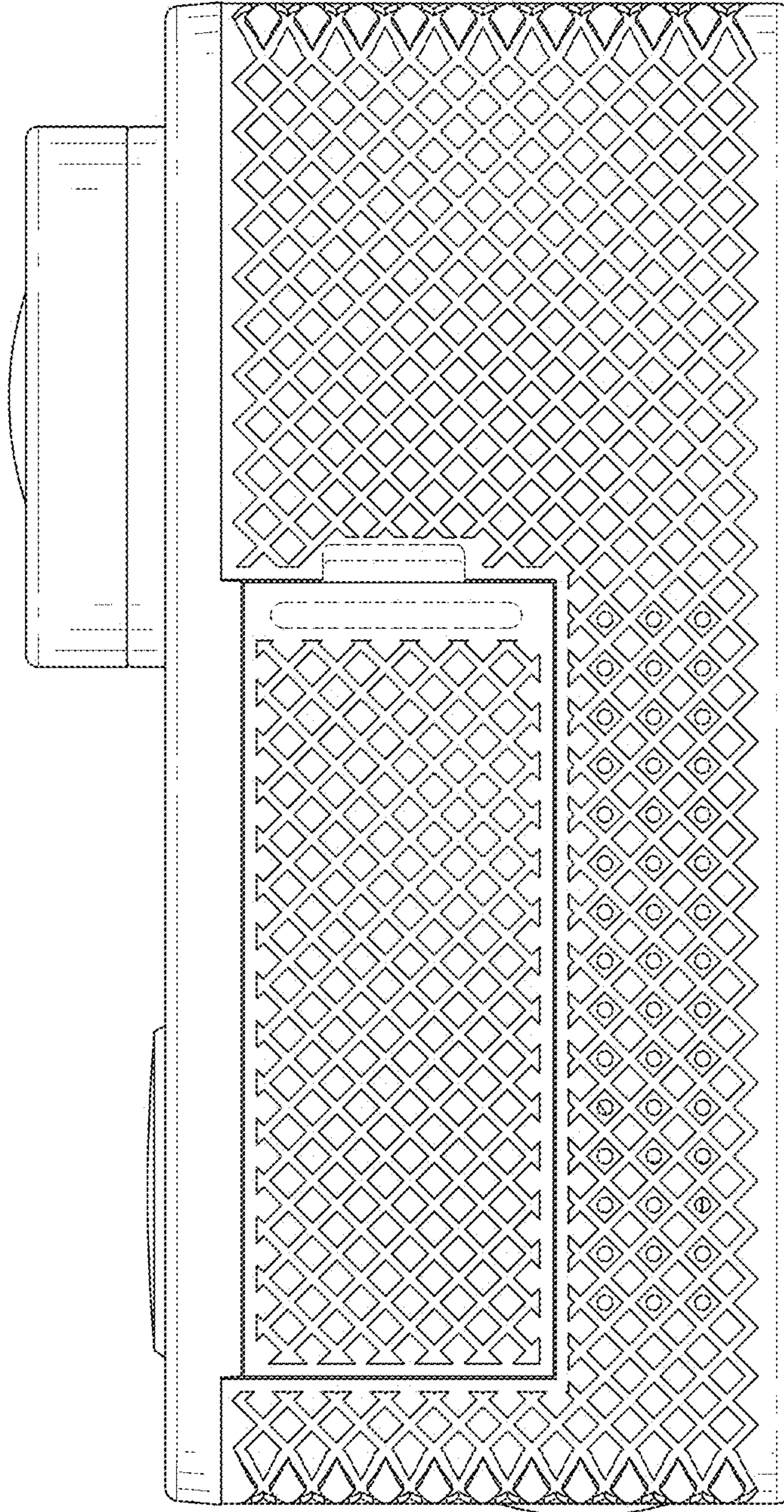


FIG. 8