



US00D832904S

(12) **United States Design Patent**
Huang

(10) **Patent No.:** **US D832,904 S**
(45) **Date of Patent:** **** Nov. 6, 2018**

(54) **GEAR-SYNCHRONIZING TYPE DUAL HOLLOW SHAFT HINGE**

(71) Applicant: **JARLLYTEC CO., LTD.**, New Taipei (TW)

(72) Inventor: **Sen-Yung Huang**, New Taipei (TW)

(73) Assignee: **JARLLYTEC CO., LTD.**, New Taipei (TW)

(**) Term: **15 Years**

(21) Appl. No.: **29/626,329**

(22) Filed: **Nov. 16, 2017**

(30) **Foreign Application Priority Data**

Jul. 24, 2017 (TW) 106304194

(51) **LOC (11) Cl.** **15-09**

(52) **U.S. Cl.**
USPC **D15/149**

(58) **Field of Classification Search**
USPC D15/138, 148, 149
CPC E05D 3/06; F16H 1/20; F16H 57/021;
H05K 5/0226

See application file for complete search history.

(56) **References Cited**

U.S. PATENT DOCUMENTS

9,464,471	B1 *	10/2016	Chen	G06F 1/1681
2006/0002058	A1 *	1/2006	Zaderej	G06F 1/1616 361/679.27
2006/0265836	A1 *	11/2006	Yang	G06F 1/1616 16/221
2007/0079477	A1 *	4/2007	Huang	G06F 1/1616 16/342
2010/0018020	A1 *	1/2010	Huang	H05K 5/0226 29/11

2013/0079161	A1 *	3/2013	Hsu	H05K 5/0226 464/51
2014/0022714	A1 *	1/2014	Huang	G06F 1/1679 361/679.01
2014/0223694	A1 *	8/2014	Hsu	E05D 3/06 16/302
2014/0251045	A1 *	9/2014	Hsu	G06F 1/1681 74/96
2014/0290008	A1 *	10/2014	Hsu	E05D 3/06 16/386
2014/0338482	A1 *	11/2014	Hsu	F16H 19/08 74/96
2015/0052707	A1 *	2/2015	Lin	G06F 1/1618 16/366

(Continued)

Primary Examiner — Patricia A Palasik

(74) *Attorney, Agent, or Firm* — Guice Patents PLLC

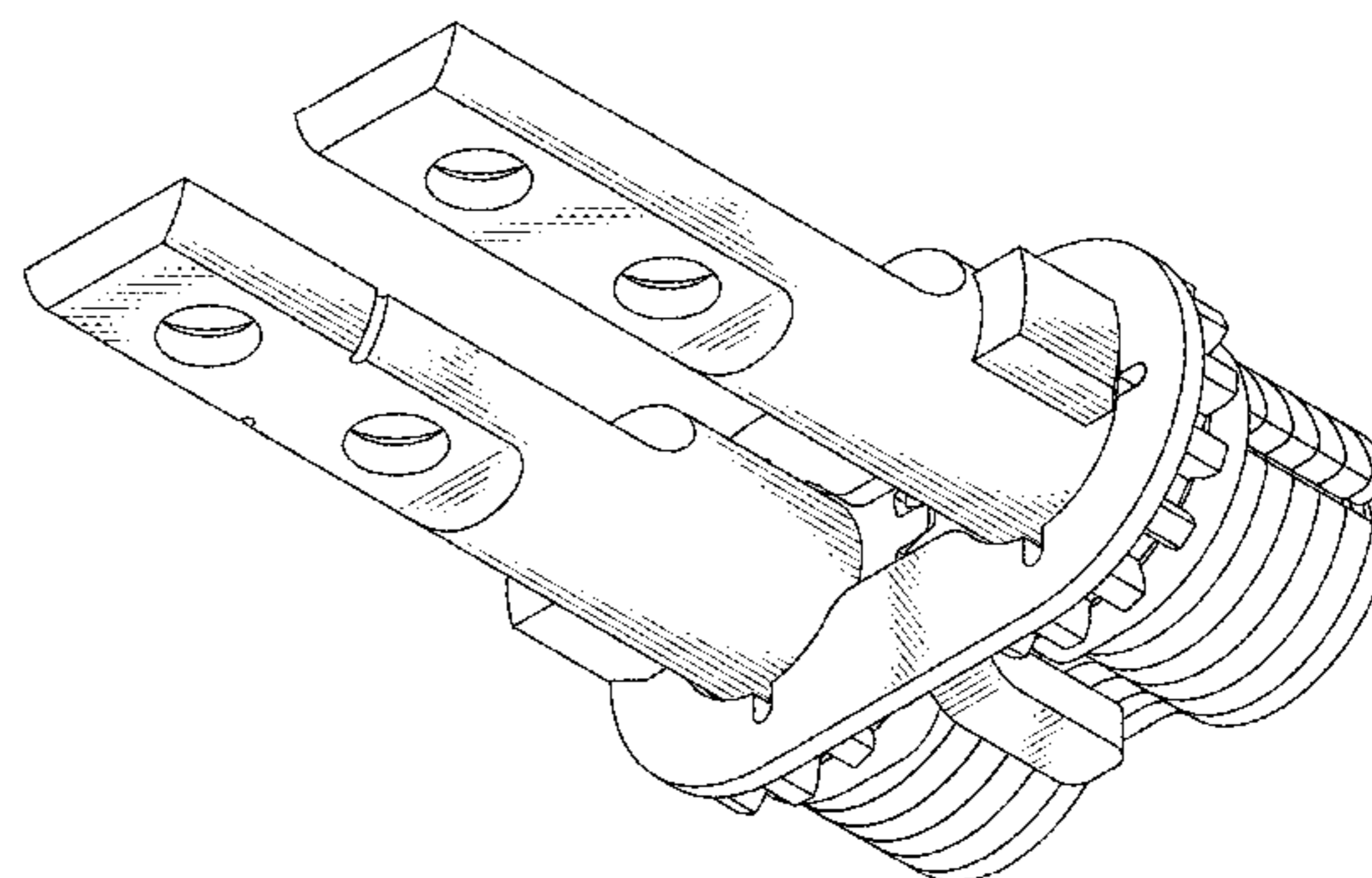
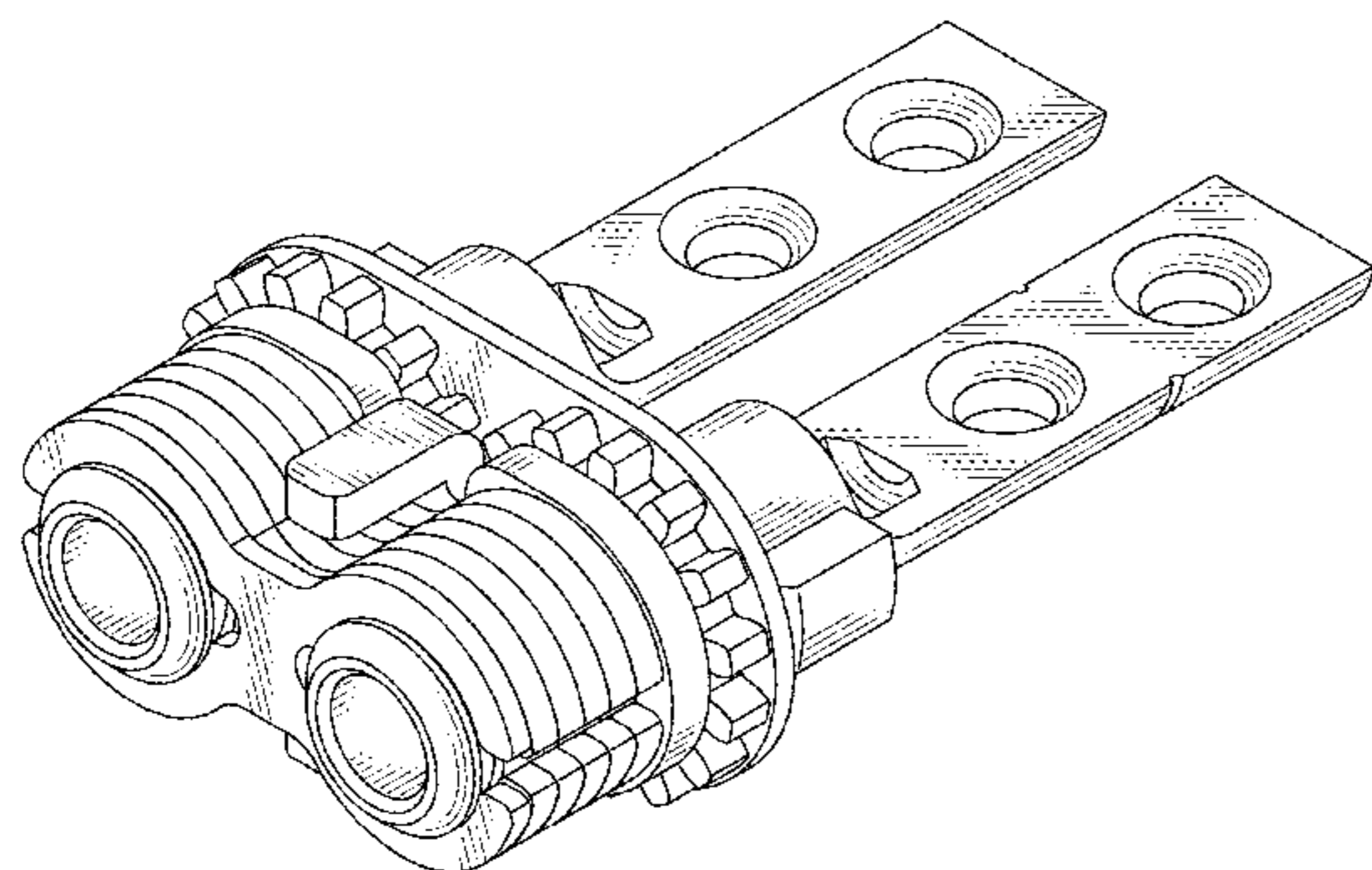
(57) **CLAIM**

The ornamental design for gear-synchronizing type dual hollow shaft hinge, as shown and described.

DESCRIPTION

FIG. 1 is a perspective view of gear-synchronizing type dual hollow shaft hinge showing the design;
 FIG. 2 is a front side elevation view thereof;
 FIG. 3 is a rear side elevation view thereof;
 FIG. 4 is a left side elevation view thereof;
 FIG. 5 is a right side elevation view thereof;
 FIG. 6 is a top plan view thereof;
 FIG. 7 is a bottom plan view thereof;
 FIG. 8 is another perspective view of gear-synchronizing type dual hollow shaft hinge showing the design;
 FIG. 9 is still another perspective view of gear-synchronizing type dual hollow shaft hinge showing the design; and,
 FIG. 10 is still another perspective view of gear-synchronizing type dual hollow shaft hinge showing the design.

1 Claim, 10 Drawing Sheets



(56)

References Cited

U.S. PATENT DOCUMENTS

2015/0102966 A1* 4/2015 Chiu H01Q 1/2266
343/702
2015/0159413 A1* 6/2015 Chen E05D 3/122
16/342
2015/0189777 A1* 7/2015 Hsu H05K 5/0226
16/366
2015/0245510 A1* 8/2015 Hsu H05K 5/0226
16/250
2015/0245511 A1* 8/2015 Hsu E05D 3/122
74/63
2015/0260230 A1* 9/2015 Xu E05D 3/06
403/387
2015/0309541 A1* 10/2015 Horng E05D 3/12
16/250
2015/0327383 A1* 11/2015 Hsu H04M 1/022
16/366
2016/0011632 A1* 1/2016 Hsu E05D 3/122
16/354
2016/0060927 A1* 3/2016 Xu E05D 3/122
361/679.55
2017/0131743 A1* 5/2017 Chuang E05D 3/06
2017/0138102 A1* 5/2017 Chuang E05D 3/06
2018/0092223 A1* 3/2018 Hsu H05K 5/0017
2018/0119727 A1* 5/2018 Liu E05D 3/06

* cited by examiner

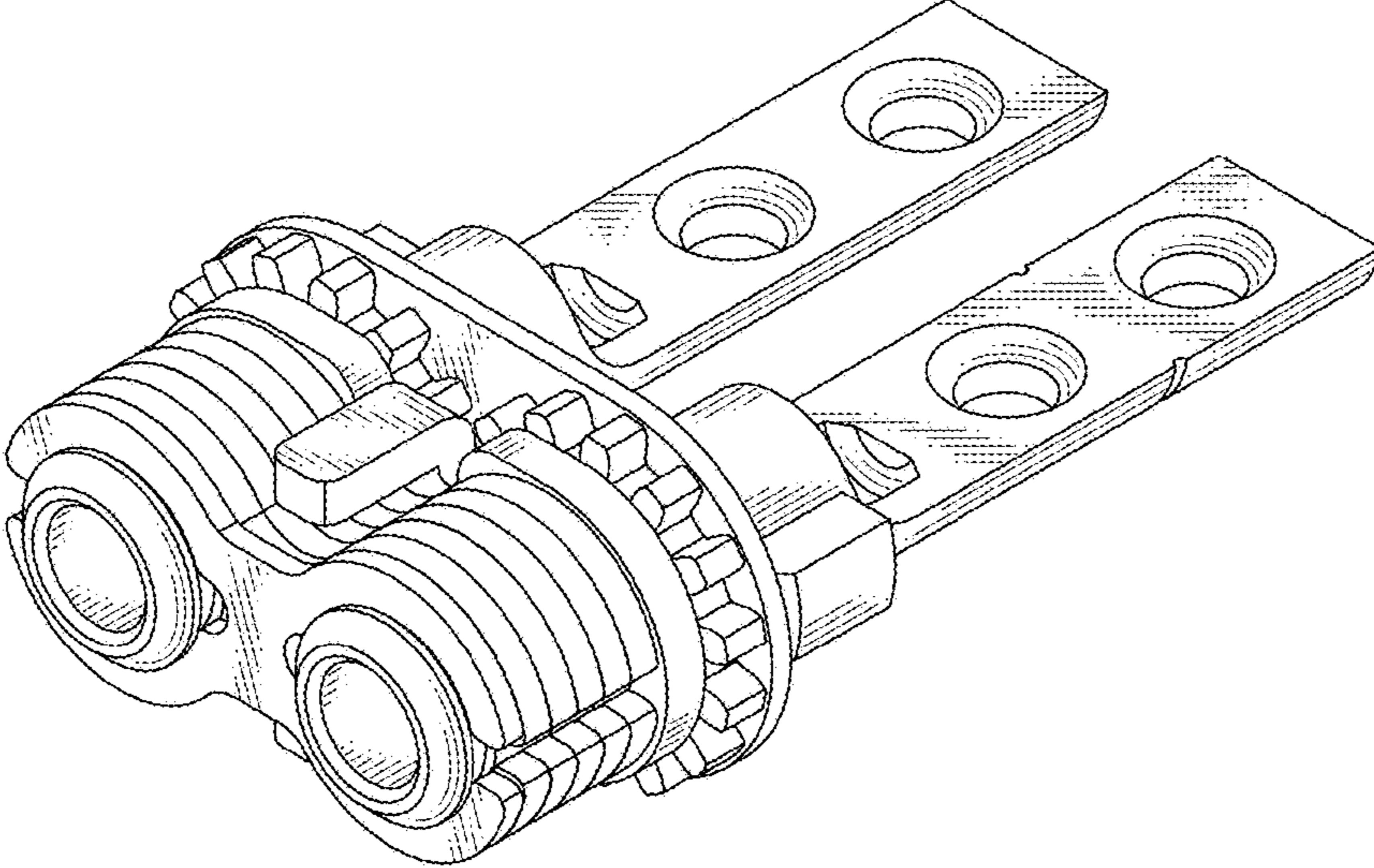


FIG.1

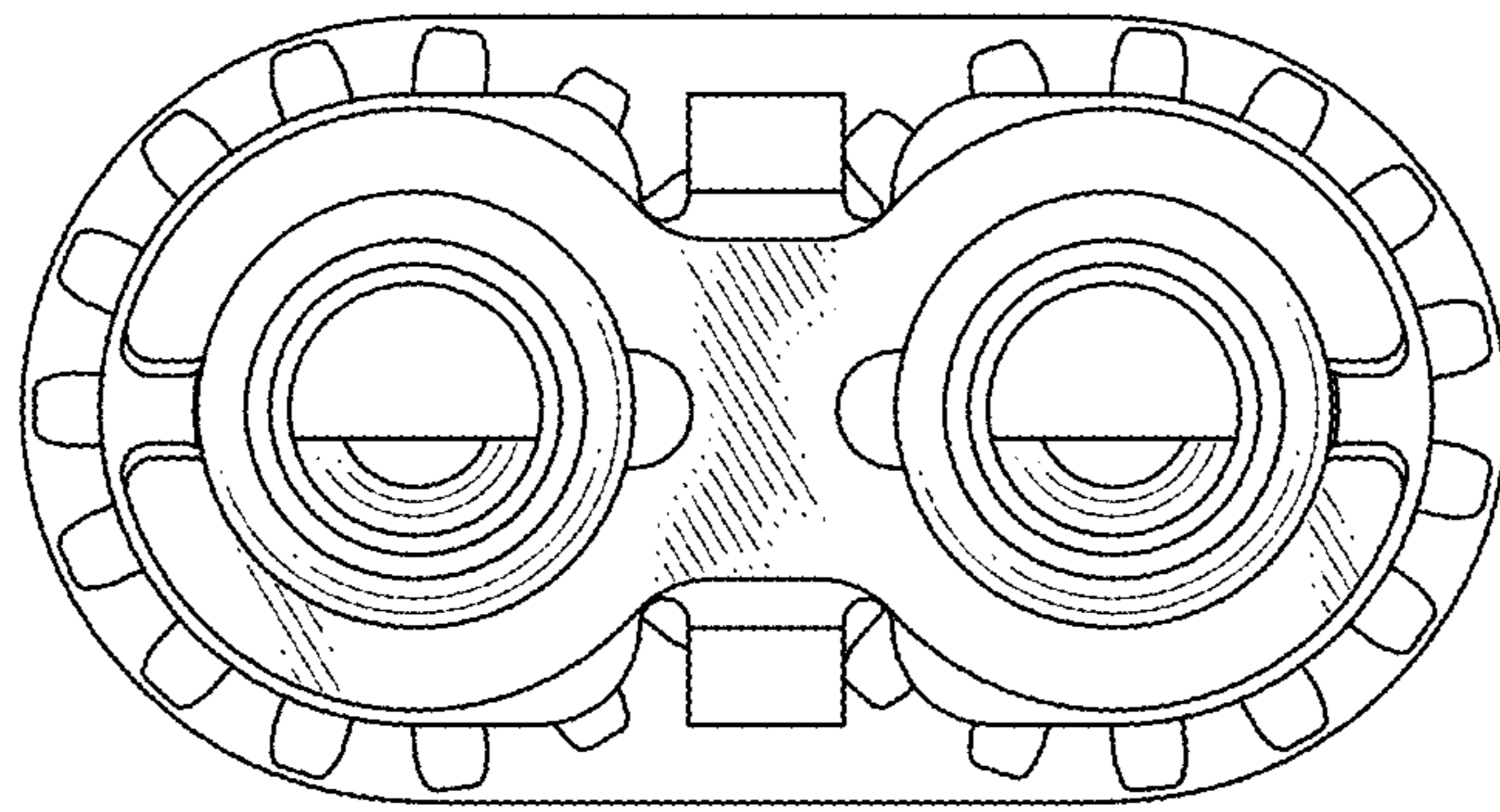


FIG.2

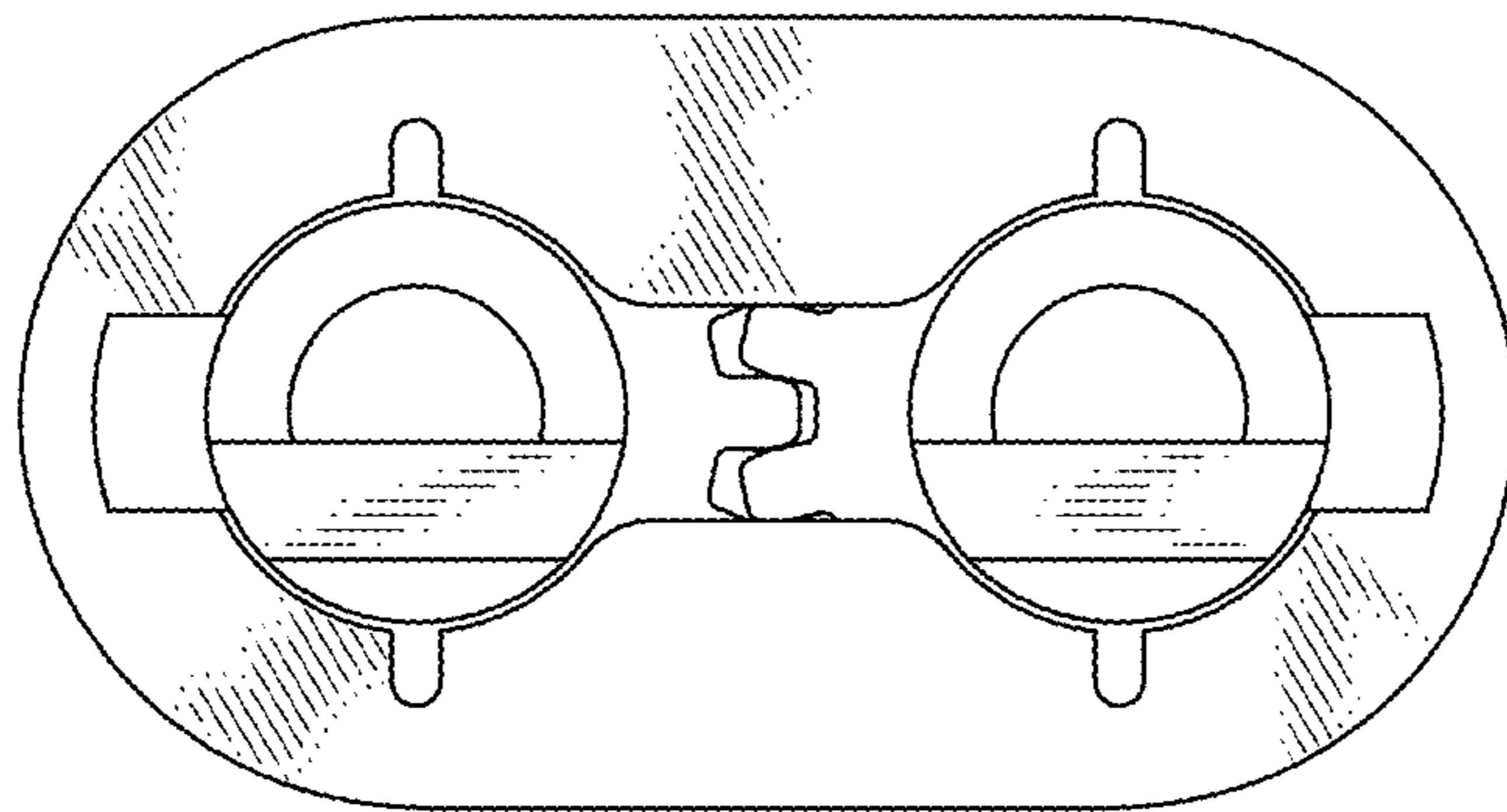


FIG.3

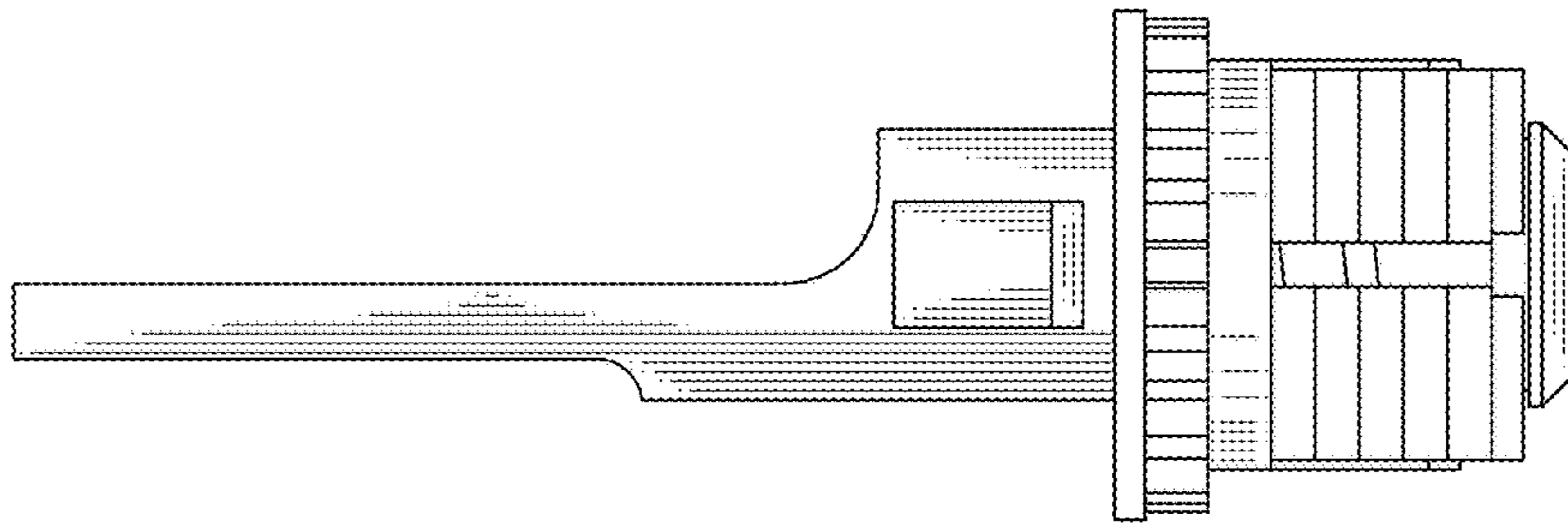


FIG.4

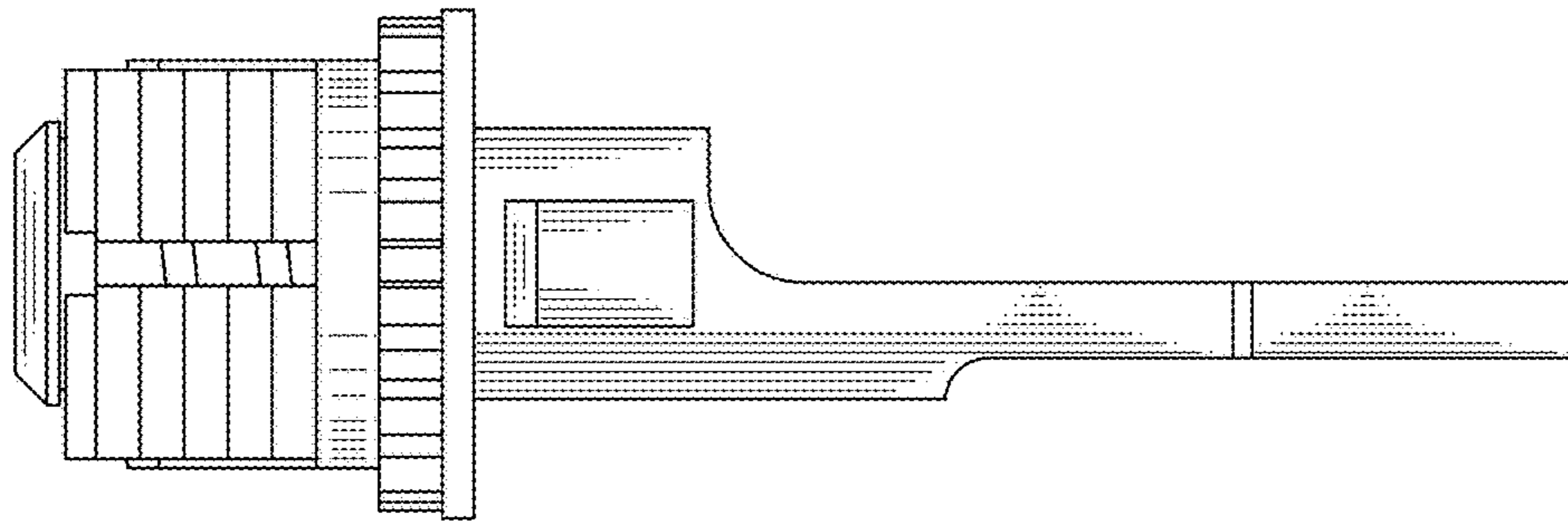


FIG.5

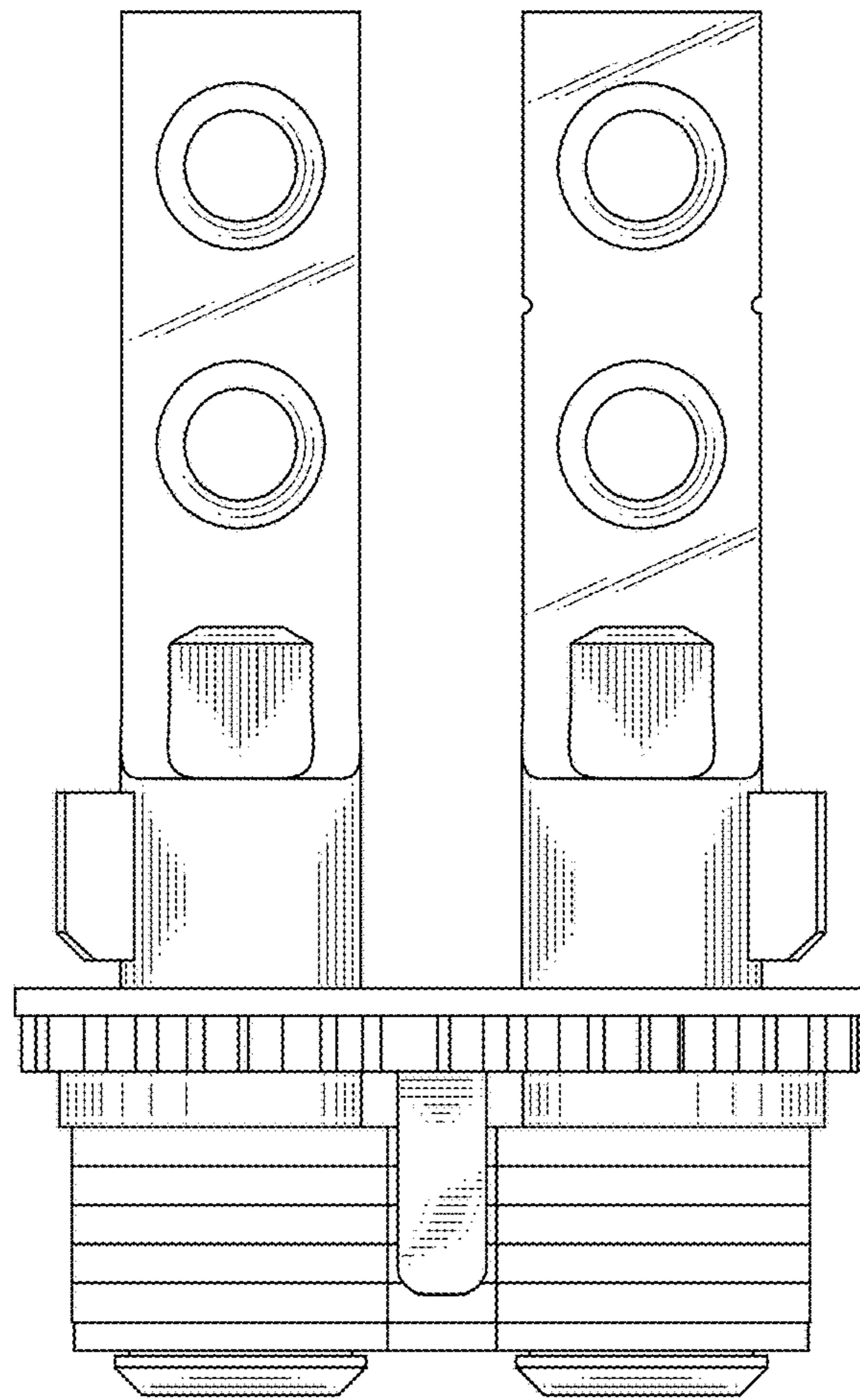


FIG.6

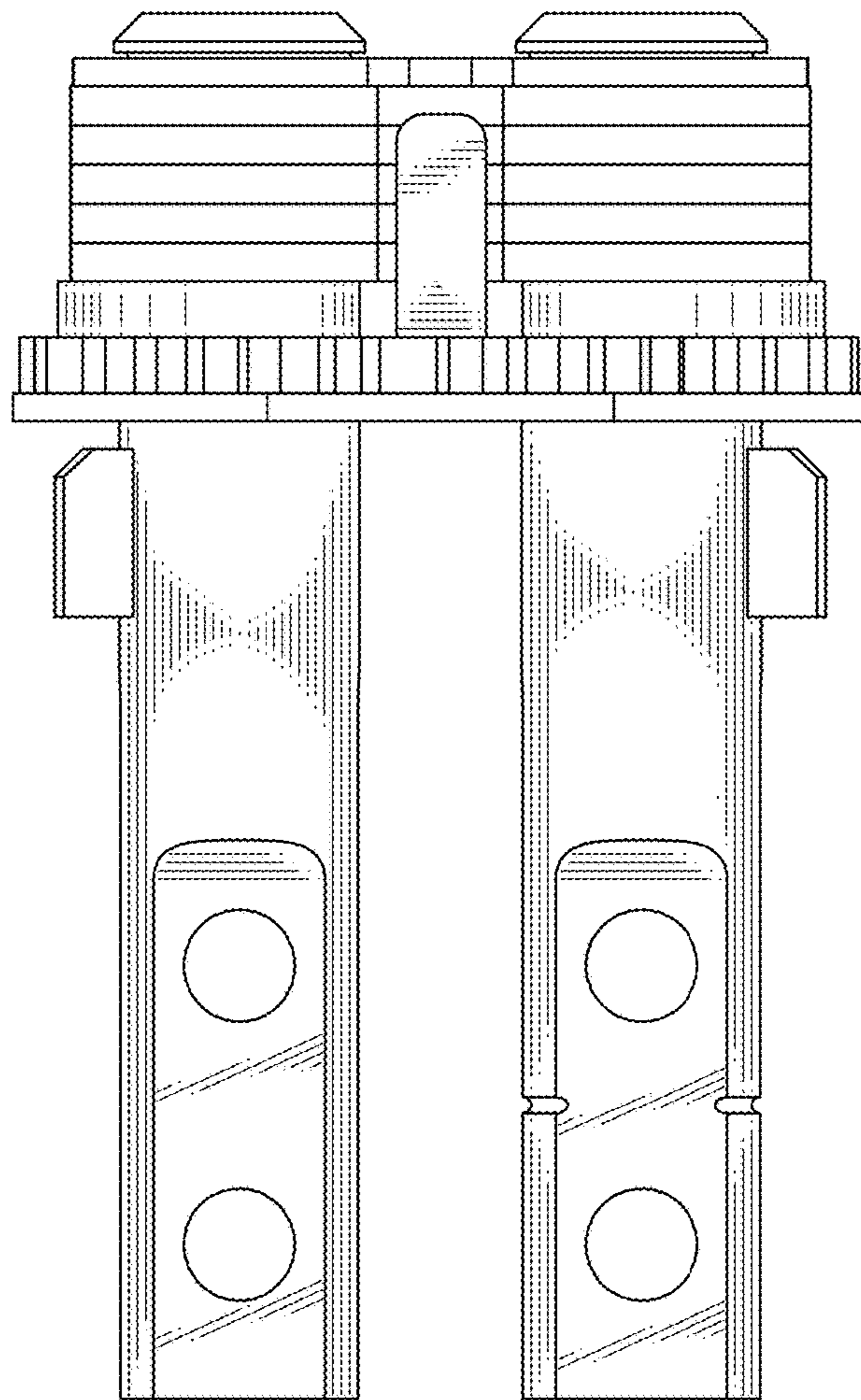


FIG. 7

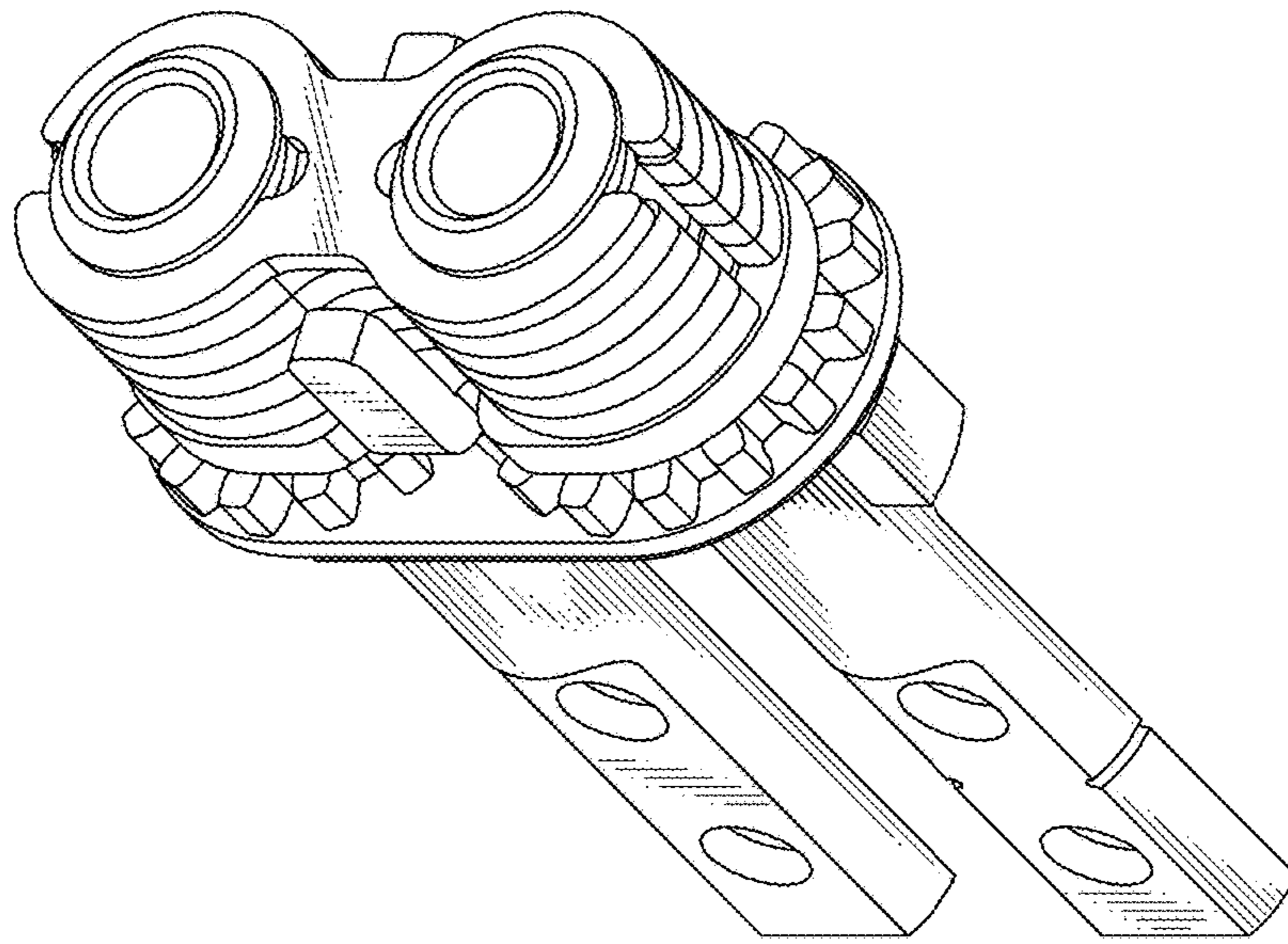


FIG.8

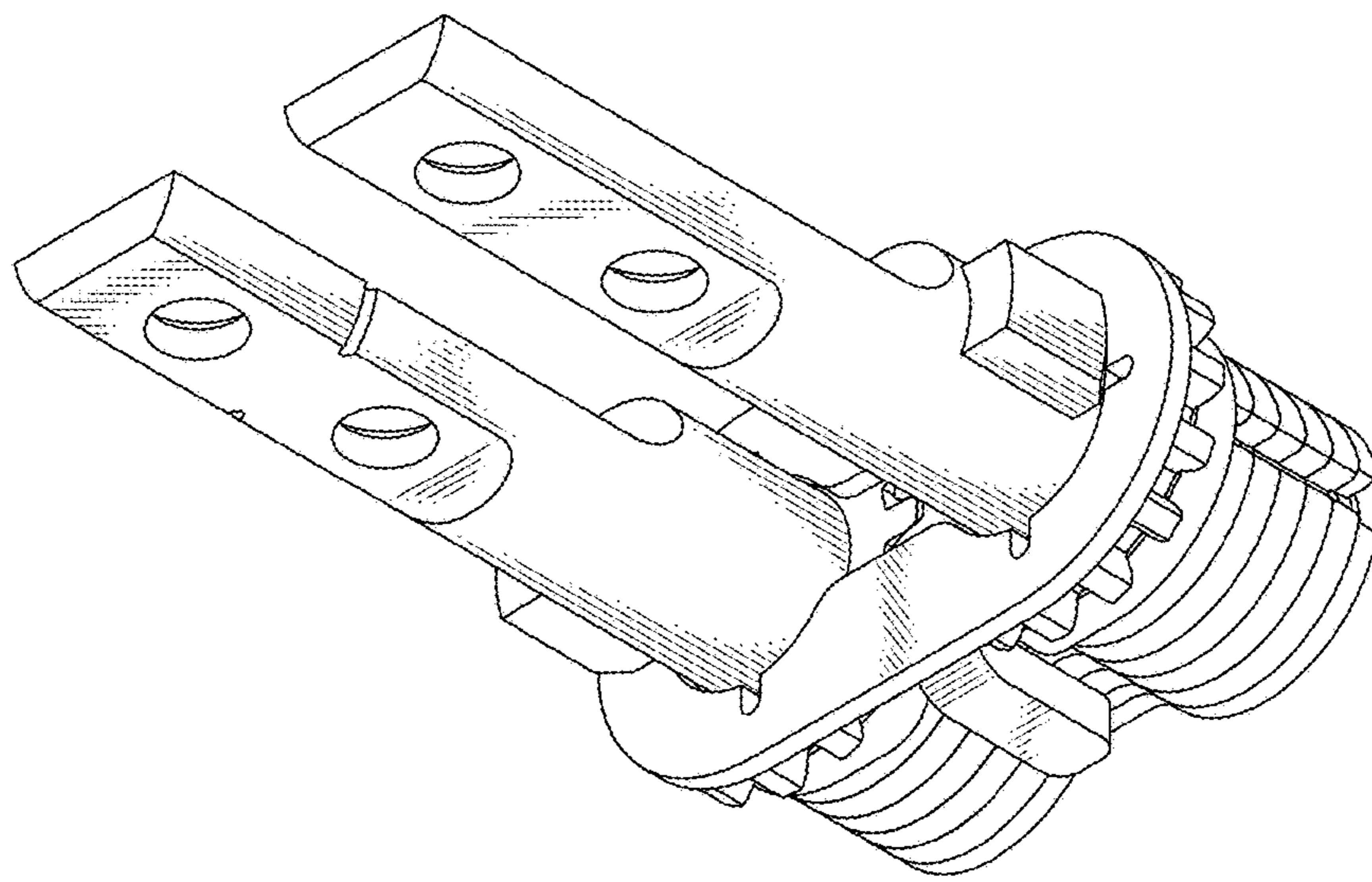


FIG.9

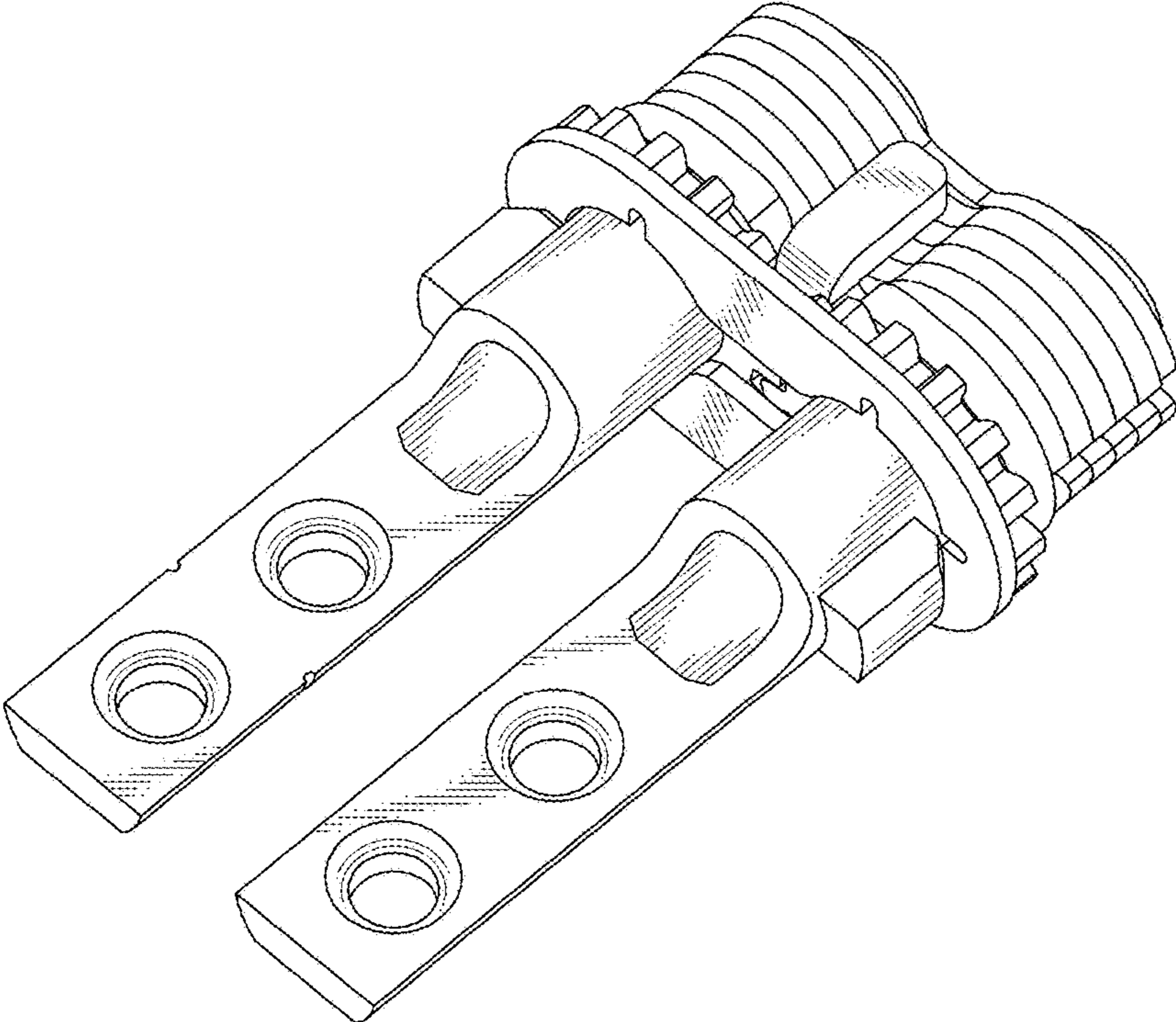


FIG.10