



US00D832903S

(12) **United States Design Patent** (10) **Patent No.:** **US D832,903 S**  
**Rapp** (45) **Date of Patent:** **\*\* Nov. 6, 2018**

- (54) **PACKAGING MACHINE**
- (71) Applicant: **LOGIN Corporate Investment GmbH & Co. KG**, Gerlingen (DE)
- (72) Inventor: **Marc Rapp**, Gerlingen (DE)
- (73) Assignee: **LOGIN CORPORATE INVESTMENT GMBH & CO. KG**, Gerlingen (DE)
- (\*\*) Term: **15 Years**
- (21) Appl. No.: **29/564,370**
- (22) Filed: **May 12, 2016**
- (51) **LOC (11) Cl.** ..... **15-99**
- (52) **U.S. Cl.**  
USPC ..... **D15/145**
- (58) **Field of Classification Search**  
USPC ..... D15/144, 144.1, 144.2, 148, 149, 199  
CPC ..... B55H 2801/81; B65B 67/1222  
See application file for complete search history.

- (56) **References Cited**  
**U.S. PATENT DOCUMENTS**
- 1,701,830 A \* 2/1929 Ward ..... B65B 1/18  
141/315
- 1,713,023 A \* 5/1929 Bushman ..... B65B 1/18  
141/281
- D143,395 S \* 1/1946 Benning ..... D15/149
- D189,935 S \* 3/1961 Behnk ..... D15/145
- 4,166,348 A \* 9/1979 Carlson ..... B65B 11/04  
53/210
- 4,520,612 A \* 6/1985 Muller ..... B65B 59/04  
53/201
- D282,262 S \* 1/1986 Ramazzotti ..... D15/145
- 4,620,408 A \* 11/1986 Parnes ..... B65B 11/025  
53/556
- 4,676,284 A \* 6/1987 DeCrane ..... B65B 67/1222  
141/114

- D330,559 S \* 10/1992 Dornhoff ..... D15/148
- 6,091,048 A \* 7/2000 Lanouette ..... B23K 9/095  
219/130.21
- D434,428 S \* 11/2000 Krieck ..... D15/144.2
- 6,248,975 B1 \* 6/2001 Lanouette ..... B23K 9/095  
219/130.21
- D621,863 S \* 8/2010 Earley ..... D15/199
- D698,837 S \* 2/2014 Woppermann ..... D15/148
- D737,876 S \* 9/2015 von Wly ..... D15/144
- D778,331 S \* 2/2017 Ide ..... D15/144
- 9,737,951 B2 \* 8/2017 Speilman ..... B23K 9/1336
- D798,352 S \* 9/2017 Si ..... D15/145
- 2005/0066629 A1 \* 3/2005 Taylor ..... B65B 9/22  
53/551
- 2012/0292422 A1 \* 11/2012 Bonneville ..... B65H 23/1825  
242/416
- 2013/0292366 A1 \* 11/2013 Enyedy ..... B23K 9/124  
219/137.2

(Continued)

**OTHER PUBLICATIONS**

“YouTube—AirWave1.” Found online May 22, 2018 at [www.youtube.com](http://www.youtube.com). Video published Sep. 12, 2016. Retrieved from URL: [https://www.youtube.com/watch?v=PK0koHAp\\_Bo](https://www.youtube.com/watch?v=PK0koHAp_Bo) (Year: 2016).\*

(Continued)

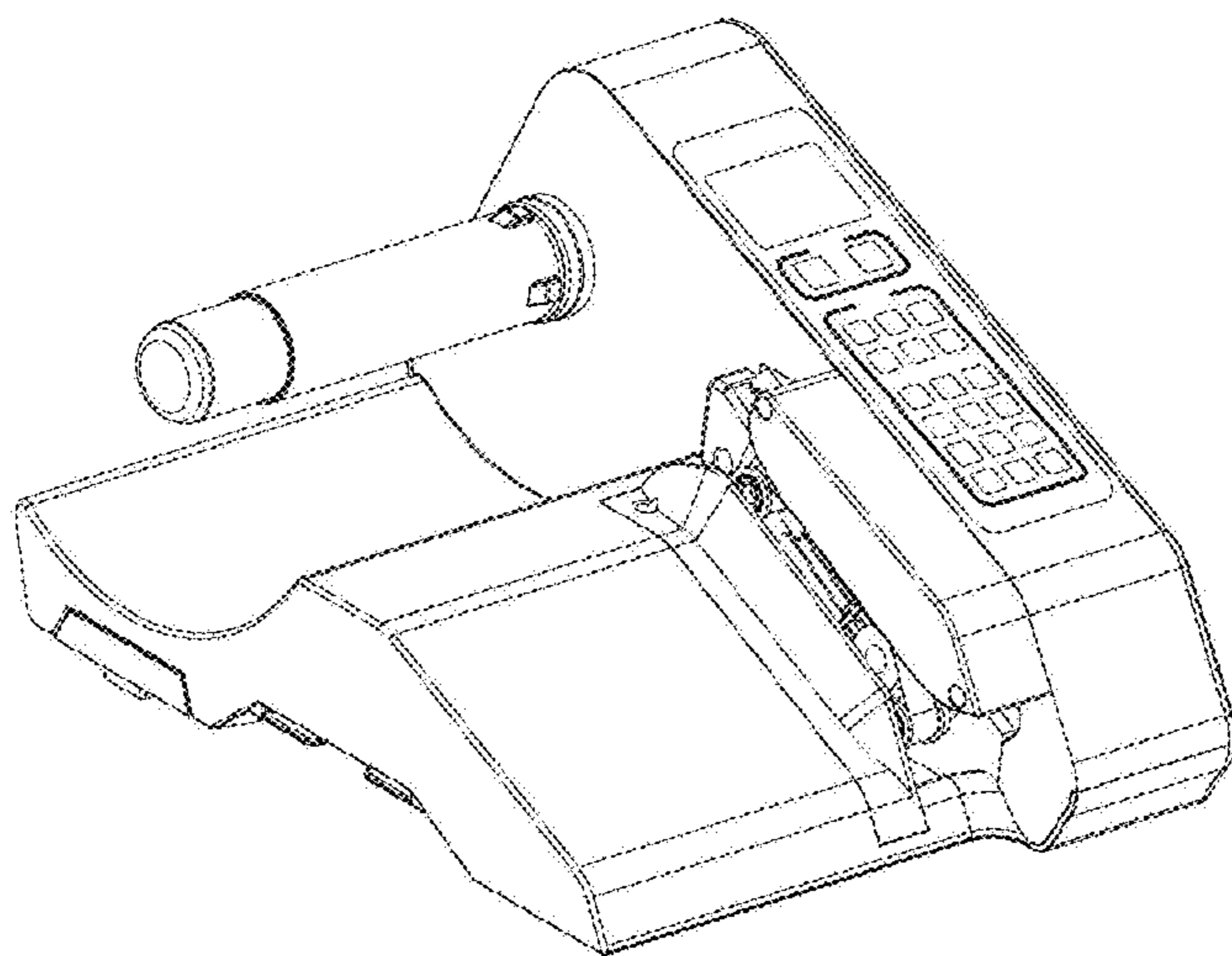
*Primary Examiner* — Garth Rademaker  
*Assistant Examiner* — Katelin G Kloberg  
(74) *Attorney, Agent, or Firm* — Fay Sharpe LLP

(57) **CLAIM**  
The ornamental design for a packaging machine, as shown and described.

**DESCRIPTION**

FIG. 1 is a top, front, left perspective view of a packaging machine, showing my new design; FIG. 2 is a top, front, right perspective view thereof; and, FIG. 3 is a top, rear, left perspective view thereof.

**1 Claim, 3 Drawing Sheets**



(56)

**References Cited**

U.S. PATENT DOCUMENTS

2015/0075114 A1\* 3/2015 Murch ..... B29D 22/02  
53/52  
2018/0099831 A1\* 4/2018 Lin ..... B65B 7/02

OTHER PUBLICATIONS

“Floeter—Airwave 1.” Found online May 22, 2018 at [www.airwave1.com](http://www.airwave1.com). Page archived Jan. 25, 2017. Retrieved from URL: <https://web.archive.org/web/20170125064734/http://www.airwave1.com/> (Year: 2017).\*

\* cited by examiner

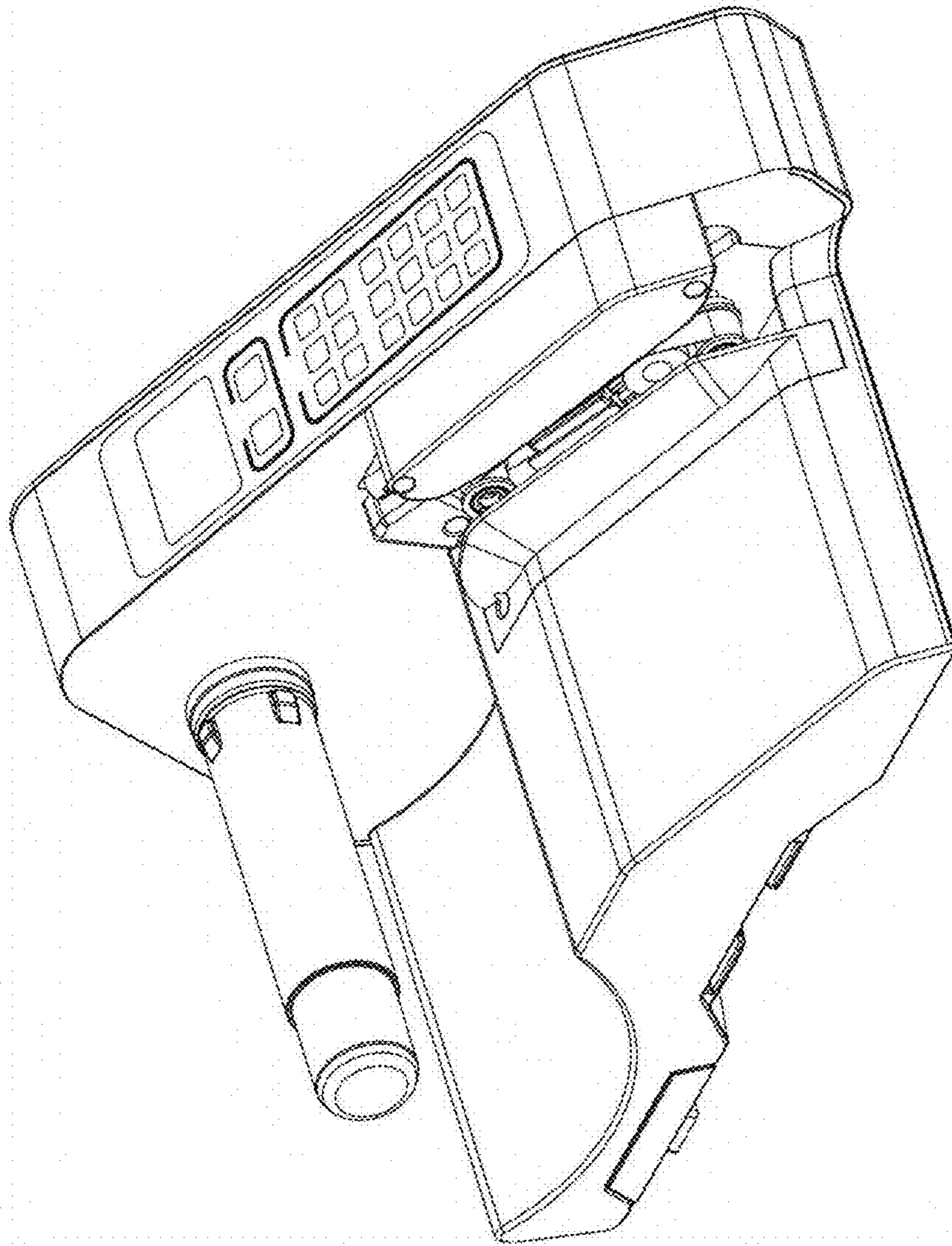


FIG. 1

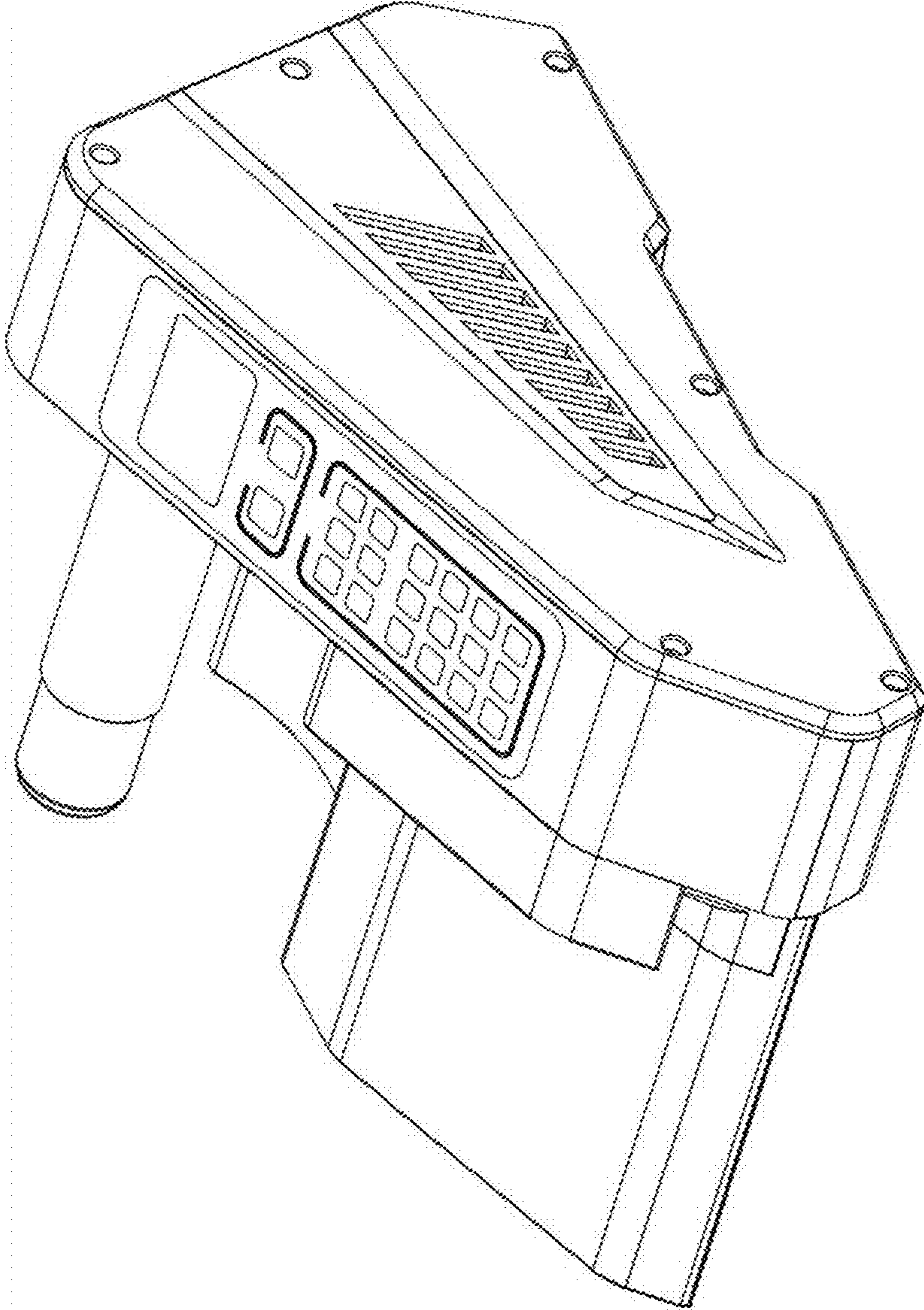


FIG. 2

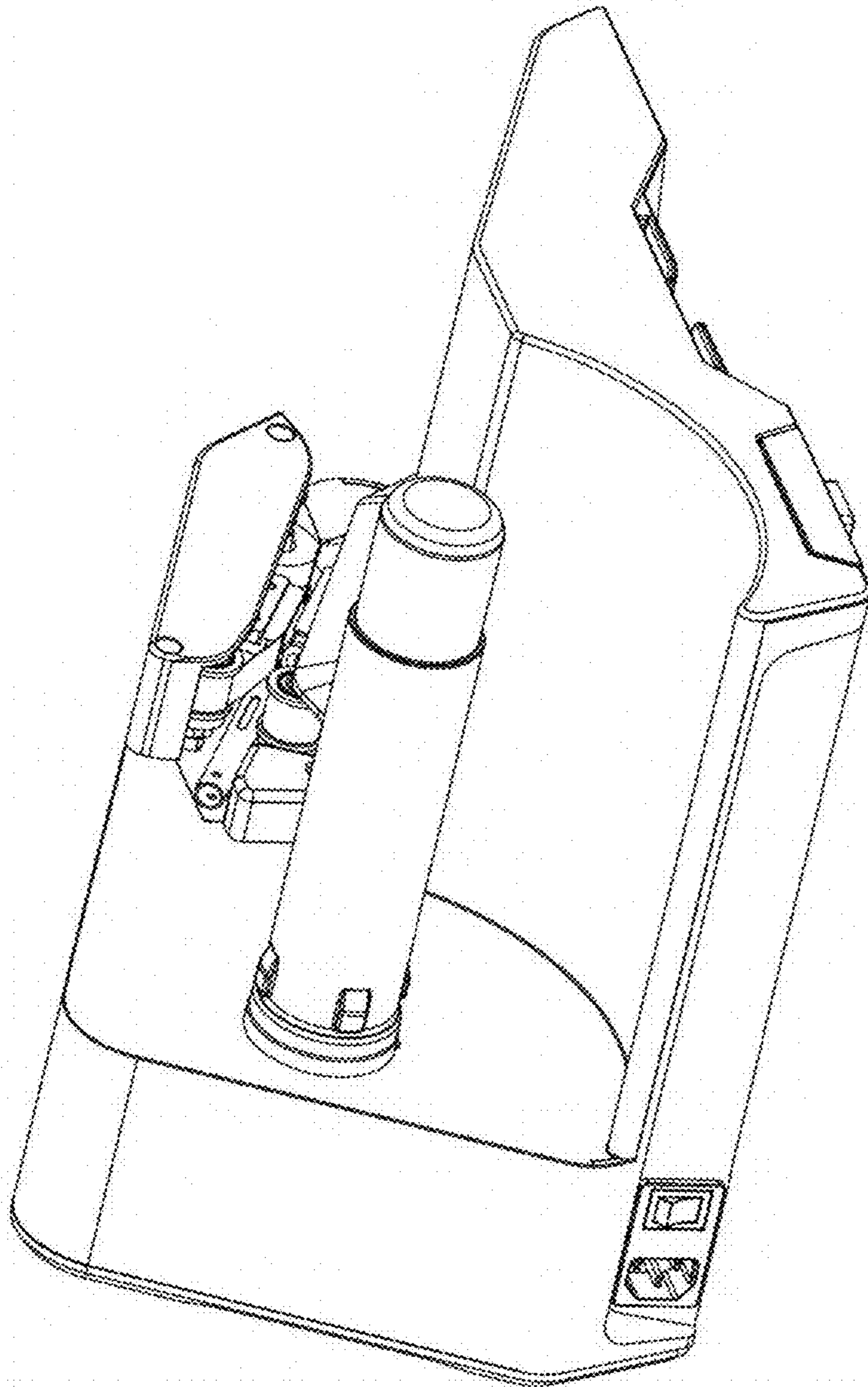


FIG. 3