



US00D832902S

(12) **United States Design Patent**  
**Tsai**

(10) **Patent No.:** **US D832,902 S**  
(45) **Date of Patent:** **\*\* Nov. 6, 2018**

(54) **GAS COMBUSTOR**

(71) Applicant: **Chin-Lin Tsai**, New Taipei (TW)

(72) Inventor: **Chin-Lin Tsai**, New Taipei (TW)

(\*\*) Term: **15 Years**

(21) Appl. No.: **29/629,434**

(22) Filed: **Dec. 13, 2017**

(30) **Foreign Application Priority Data**

Jun. 21, 2017 (TW) ..... 106303488

(51) **LOC (11) Cl.** ..... **15-09**

(52) **U.S. Cl.**  
USPC ..... **D15/144**

(58) **Field of Classification Search**  
USPC .... D8/29.1, 30, 107; D15/144, 144.1, 144.2  
CPC ..... F23D 14/52; F23D 14/72; F23D 2209/00;  
F23N 5/247  
See application file for complete search history.

(56) **References Cited**

**U.S. PATENT DOCUMENTS**

D136,122 S *	8/1943	Baird	.....	D15/144
D207,977 S *	6/1967	Kensrue	.....	D15/144
D214,056 S *	5/1969	Trepanier	.....	D15/144
D214,445 S *	6/1969	Dahlman	.....	D15/144
D297,704 S *	9/1988	Bulow	.....	D15/144
D343,629 S *	1/1994	Bode	.....	D15/144
D346,390 S *	4/1994	Sperling	.....	D15/144
D440,991 S *	4/2001	Fujiwara	.....	D15/144.2
D456,426 S *	4/2002	Boyer	.....	D15/144
D456,428 S *	4/2002	Aronson, II	.....	D15/144
D489,079 S *	4/2004	Horner-Richardson	.....	D15/144
D502,716 S *	3/2005	Ridley	.....	D15/144
D536,718 S *	2/2007	Murray	.....	D15/144.2
D537,092 S *	2/2007	Owens	.....	D15/144
D555,446 S *	11/2007	Picaza Ibarrodo	.....	D15/144

D564,319 S *	3/2008	Tsai	.....	D15/144
D607,026 S *	12/2009	Risse	.....	D15/144
D615,573 S *	5/2010	Peters	.....	D15/144
D672,378 S *	12/2012	Boyer	.....	D15/144
D683,372 S *	5/2013	Boyer	.....	D15/144
D683,773 S *	6/2013	Boyer	.....	D15/144
D683,774 S *	6/2013	Leiteritz	.....	D15/144.2
D698,835 S *	2/2014	Juskowich	.....	D15/144
D703,251 S *	4/2014	Raboin	.....	D15/144.2
D735,786 S *	8/2015	Sallander	.....	D15/144
D771,727 S *	11/2016	Imi	.....	D15/144
D806,152 S *	12/2017	Whited	.....	D15/144.2
D806,770 S *	1/2018	Murphy	.....	D15/144.2
D812,120 S *	3/2018	Prikler	.....	D15/144
D813,627 S *	3/2018	Tsai	.....	D8/30
D813,628 S *	3/2018	Tsai	.....	D8/30
D820,331 S *	6/2018	Walters	.....	D15/144
2012/0045727 A1 *	2/2012	Tsai	.....	F23D 14/52 431/253
2012/0244480 A1 *	9/2012	Tsai	.....	F23D 14/28 431/153

(Continued)

*Primary Examiner* — Patricia A Palasik  
(74) *Attorney, Agent, or Firm* — Guice Patents PLLC

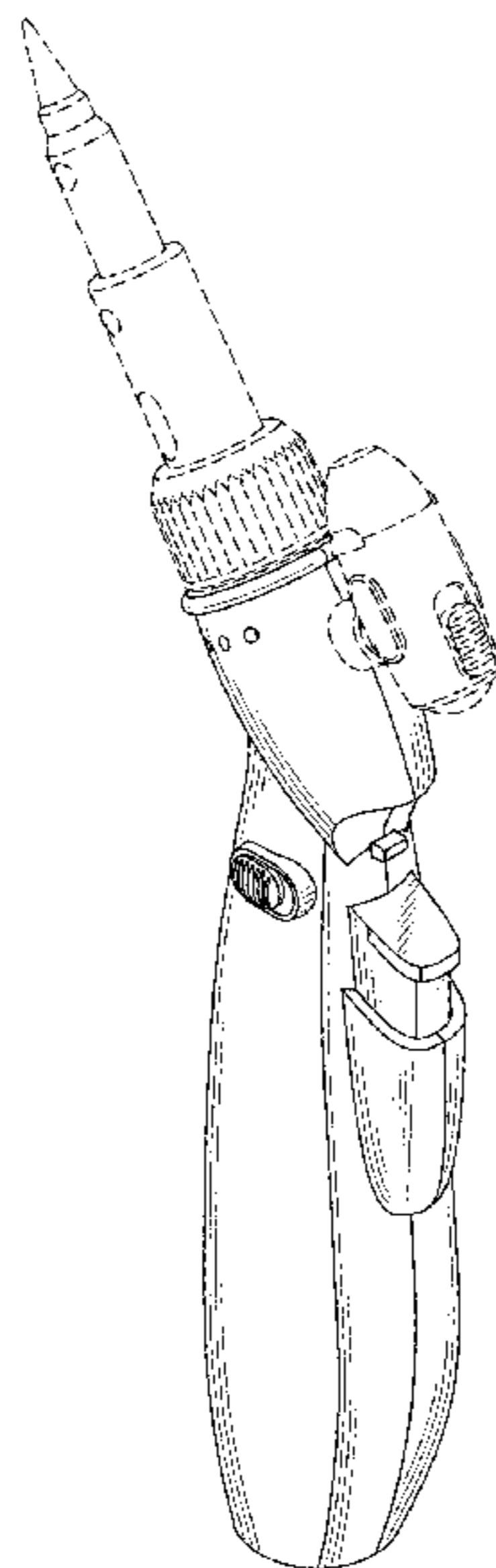
(57) **CLAIM**

The ornamental design for a gas combustor, as shown and described.

**DESCRIPTION**

FIG. 1 is a perspective view of a gas combustor showing the design;  
FIG. 2 is a front side elevation view thereof;  
FIG. 3 is a rear side elevation view thereof;  
FIG. 4 is a left side elevation view thereof;  
FIG. 5 is a right side elevation view thereof;  
FIG. 6 is a top plan view thereof; and,  
FIG. 7 is a bottom plan view thereof.  
The broken lines in the drawings depict unclaimed environmental subject matter.

**1 Claim, 5 Drawing Sheets**



(56)

**References Cited**

U.S. PATENT DOCUMENTS

2013/0309619 A1\* 11/2013 Tsai ..... F23D 14/28  
431/255  
2015/0132705 A1\* 5/2015 Tsai ..... F23Q 2/287  
431/255  
2016/0047543 A1\* 2/2016 Tsai ..... F23D 14/28  
431/153  
2016/0097530 A1\* 4/2016 Tsai ..... F23D 14/28  
431/255  
2018/0066842 A1\* 3/2018 Tsai ..... F23D 14/00

\* cited by examiner

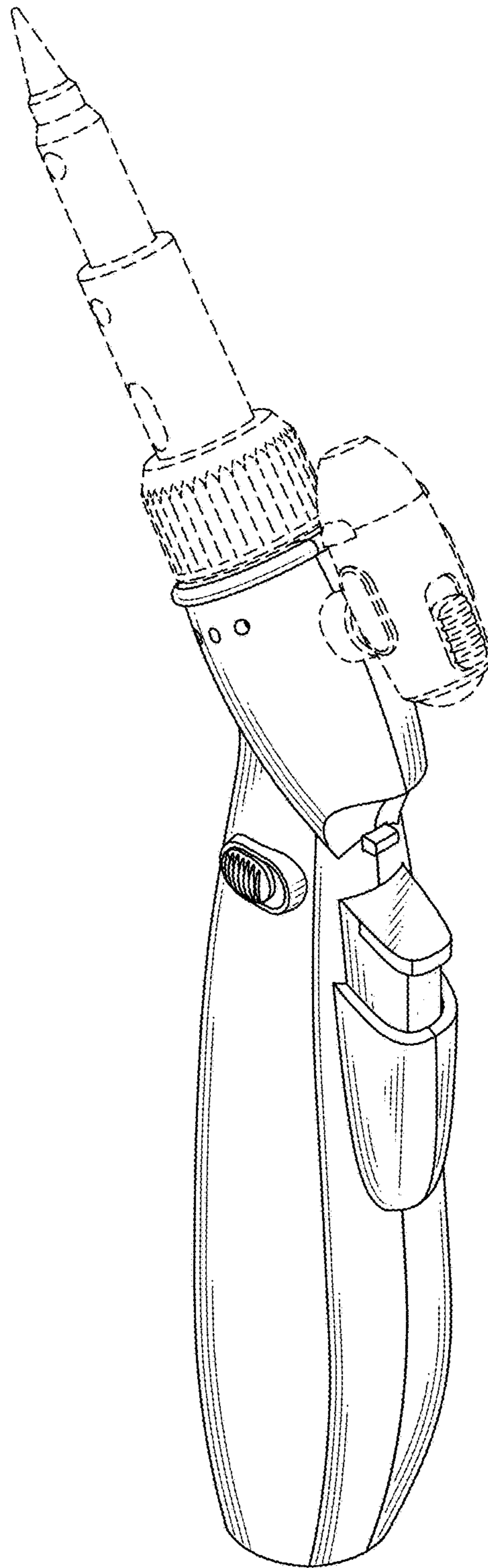


FIG. 1

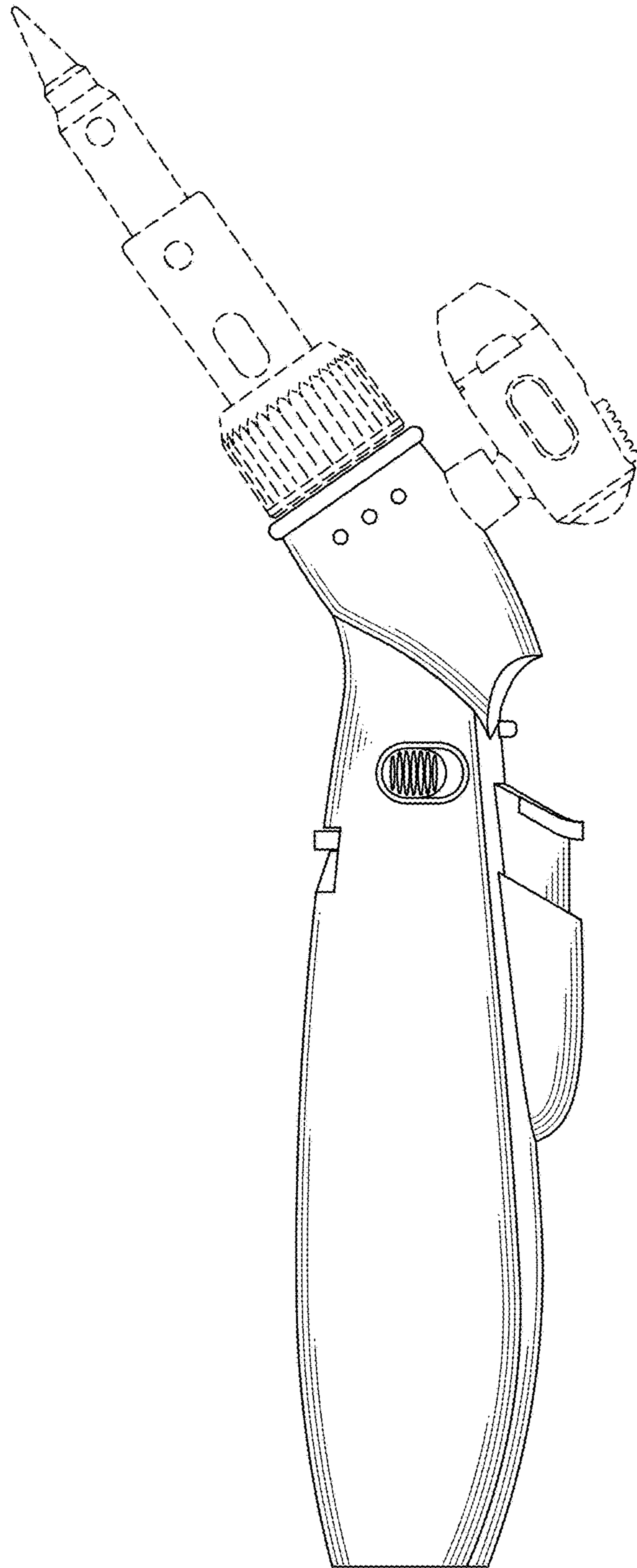


FIG. 2

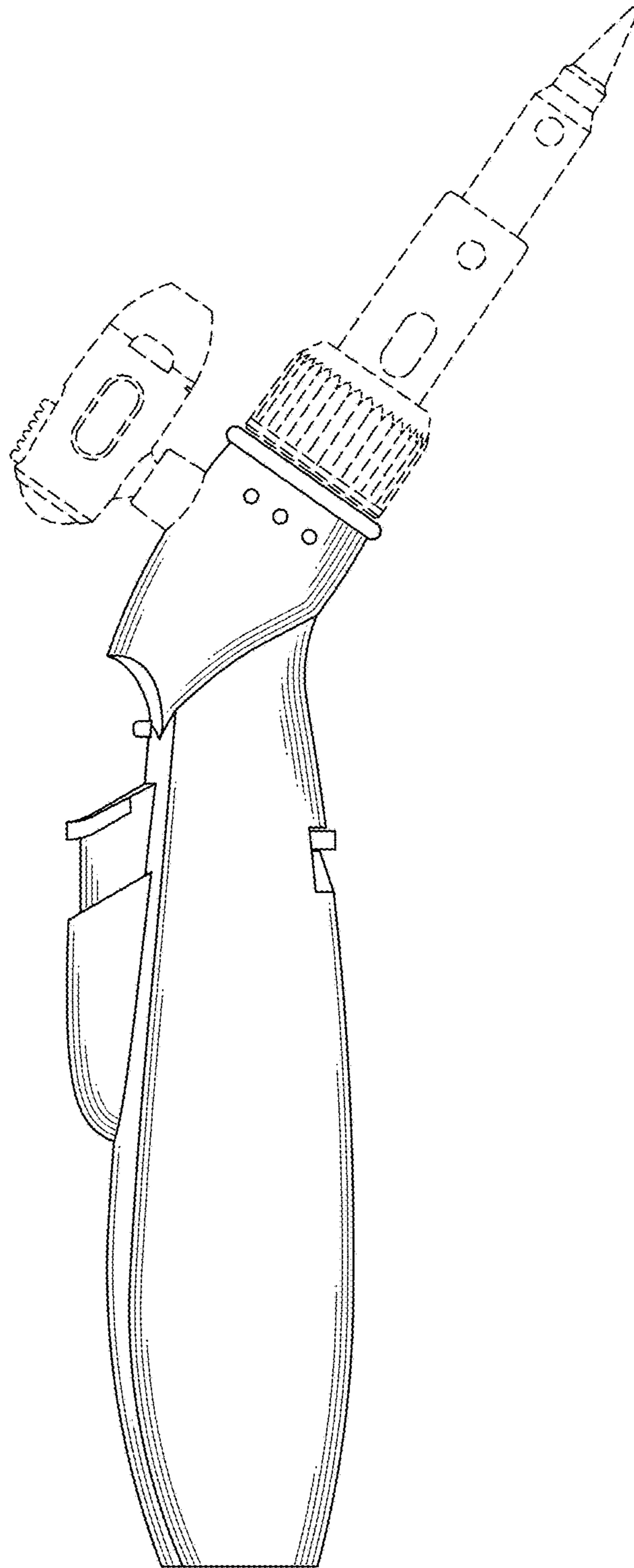


FIG. 3

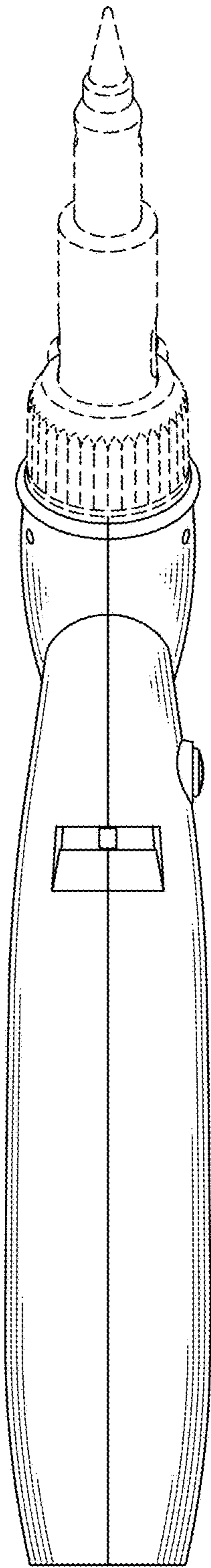


FIG. 4

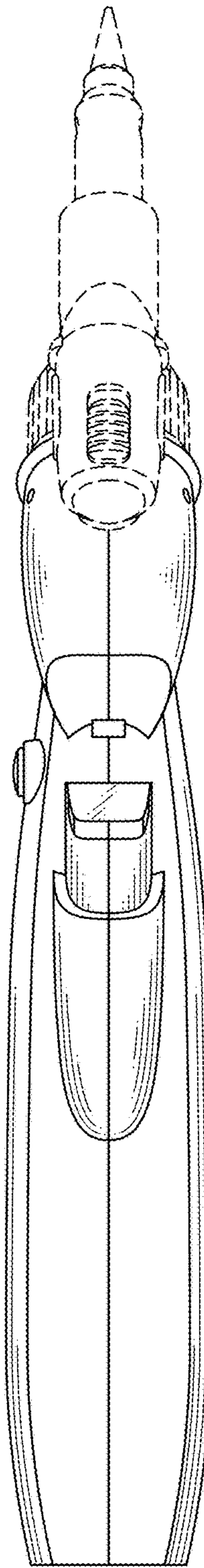


FIG. 5

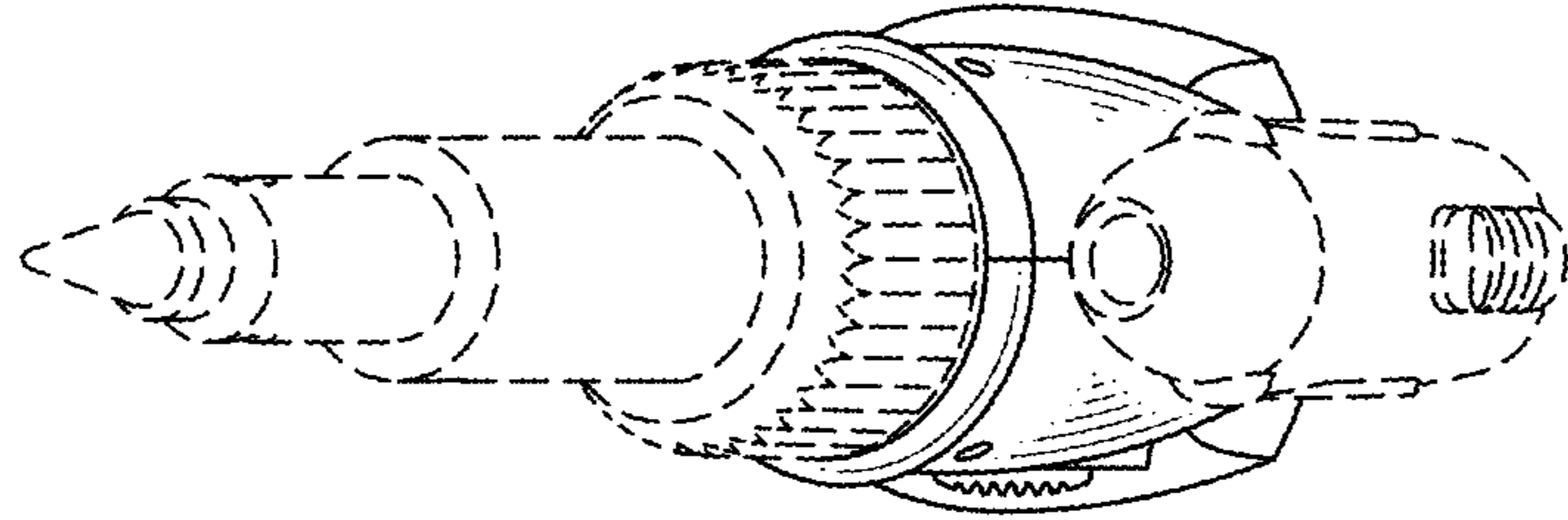


FIG. 6

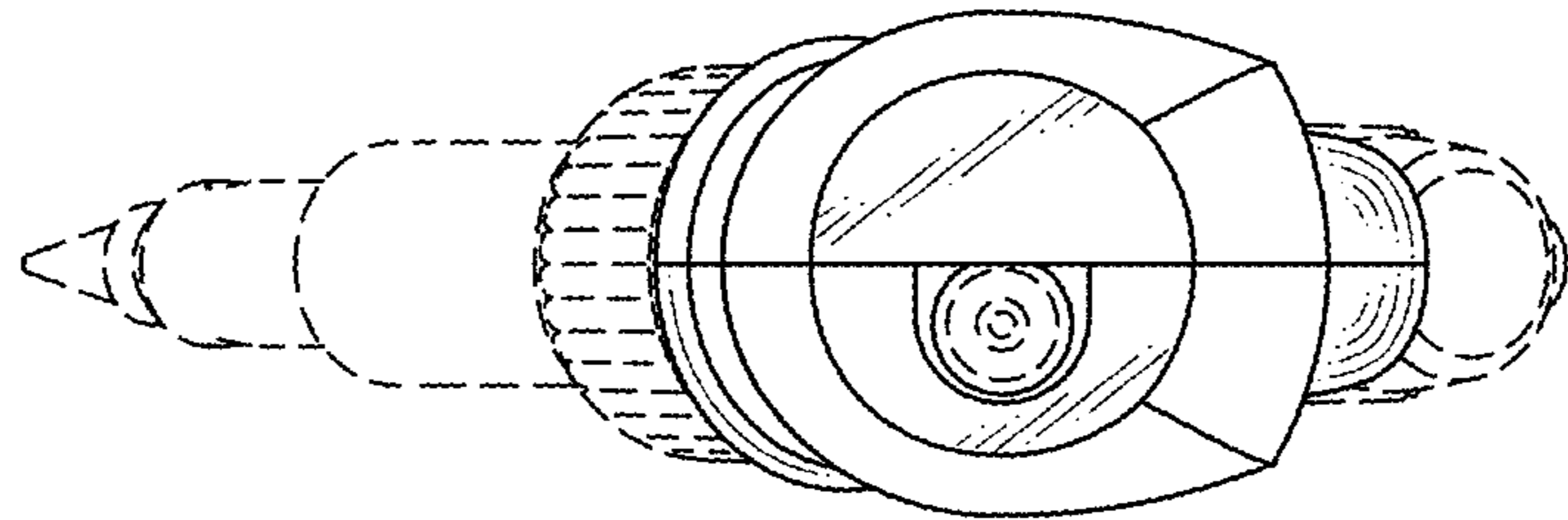


FIG. 7