



US00D832900S

(12) **United States Design Patent** (10) **Patent No.:** **US D832,900 S**
Tuttle (45) **Date of Patent:** **** Nov. 6, 2018**

(54) **BEARING FRAME**
(71) Applicant: **Daniel D. Tuttle**, Shortsville, NY (US)
(72) Inventor: **Daniel D. Tuttle**, Shortsville, NY (US)
(73) Assignee: **ITT Manufacturing Enterprises LLC.**, Wilmington, DE (US)
(**) Term: **15 Years**

D327,272 S 6/1992 Cadotte et al.
D327,273 S 6/1992 Cadotte et al.
D367,069 S * 2/1996 Thom, Jr. D15/143
(Continued)

FOREIGN PATENT DOCUMENTS

AU 96082 6/1984
AU 98660 11/1986
(Continued)

OTHER PUBLICATIONS

“2500 series Roll Out VP6 500.” Found online Feb. 28, 2018 at www.youtube.com. Video published Mar. 15, 2016. Retrieved from URL: https://www.youtube.com/watch?v=DQCSbWagQYY&feature=youtu.be (Year: 2016).*

(Continued)

Primary Examiner — Garth Rademaker
Assistant Examiner — Katelin G Kloberg
(74) *Attorney, Agent, or Firm* — Ware, Fressola, Maguire & Barber LLP

(21) Appl. No.: **29/558,921**
(22) Filed: **Mar. 23, 2016**
(51) **LOC (11) Cl.** **15-09**
(52) **U.S. Cl.**
USPC **D15/143**
(58) **Field of Classification Search**
USPC D15/143, 144, 145
CPC F16C 35/04; F16C 35/045; F16C 35/047;
F16C 35/02; F16C 17/10; F16C 19/38;
F16C 2226/16; F16C 2226/60; F16C
23/045; F16C 23/084; F16C 23/086
See application file for complete search history.

(57) **CLAIM**

I claim the ornamental design of a bearing frame, as shown and described.

(56) **References Cited**

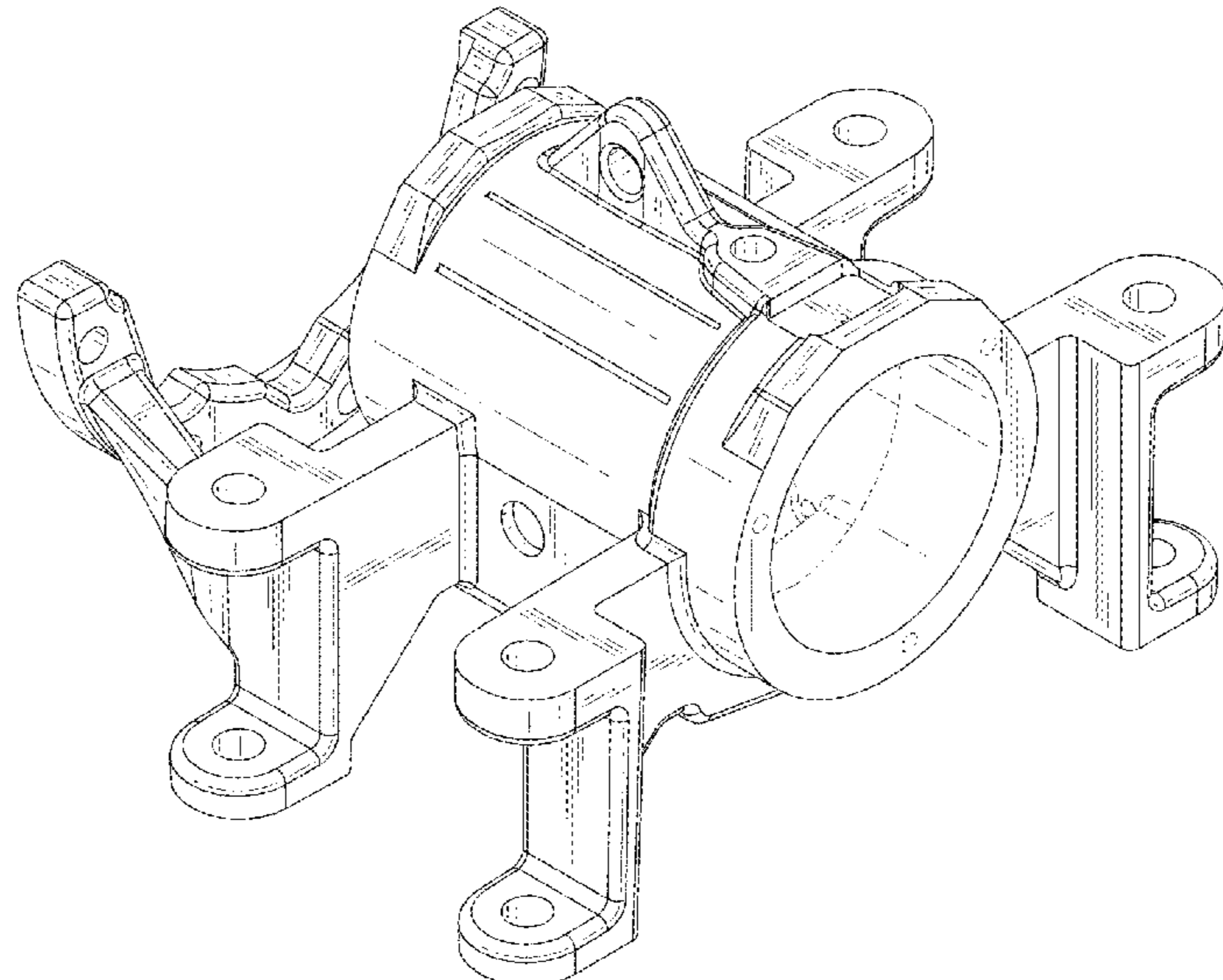
DESCRIPTION

U.S. PATENT DOCUMENTS

D14,138 S * 7/1883 Brown D15/143
D32,590 S * 4/1900 Pessano D15/143
D32,591 S * 4/1900 Pessano D15/143
D202,145 S 8/1965 Schroeder et al.
3,476,450 A * 11/1969 Grange F16C 35/04
384/434
D229,236 S 11/1973 Doolin
D269,786 S * 7/1983 Ostling D15/143
D283,224 S 4/1986 Lametto et al.
D285,447 S 9/1986 Dudeck et al.
D294,266 S 2/1988 Dudeck et al.
D297,942 S * 10/1988 Somarakis D15/143
D327,271 S 6/1992 Cadotte et al.

FIG. 1 is a top back perspective view of a bearing frame according to the present invention;
FIG. 2 is a bottom front perspective view thereof;
FIG. 3 is a side elevation view thereof;
FIG. 4 is an opposite side elevation view thereof;
FIG. 5 is a front view thereof;
FIG. 6 is a back view thereof;
FIG. 7 is a top view thereof; and,
FIG. 8 is a bottom view thereof.
The broken lines represent portions of the bearing frame and form no part of the claimed design.

1 Claim, 6 Drawing Sheets



(56)

References Cited

FOREIGN PATENT DOCUMENTS

U.S. PATENT DOCUMENTS

5,836,702 A * 11/1998 Whiddon F16C 23/086
384/584

D405,096 S 2/1999 Dudeck

D427,217 S * 6/2000 Ostling D15/143

6,089,758 A * 7/2000 Ward F16C 35/047
384/537

6,152,719 A 11/2000 Nelik et al.

D446,230 S * 8/2001 Olsson D15/143

D466,522 S 12/2002 Huang

D538,826 S 3/2007 Kienzle

D562,849 S 2/2008 Buitenhuis et al.

D573,159 S 7/2008 Etter

D573,618 S 7/2008 Peck et al.

D590,842 S 4/2009 Clark et al.

D591,311 S 4/2009 Tojo

D604,745 S 11/2009 Sinico

D656,518 S 3/2012 Varini

D668,684 S 10/2012 Noguchi

D677,283 S 3/2013 Soja

D690,324 S 9/2013 Kienzle et al.

D697,532 S 1/2014 Varini

D699,762 S 2/2014 Alexander et al.

D700,211 S 2/2014 Alexander et al.

D719,192 S 12/2014 Schlenker

D720,778 S 1/2015 Lim et al.

D722,083 S 2/2015 Soja

D768,208 S 10/2016 Pademi et al.

D788,178 S 5/2017 Theiss

D788,179 S 5/2017 Theiss

D789,422 S 6/2017 Theiss

D807,924 S * 1/2018 Wilkie D15/7

2003/0063826 A1 * 4/2003 Cevasco F16C 17/10
384/537

2004/0096134 A1 * 5/2004 Ward F16C 23/084
384/624

2018/0010643 A1 * 1/2018 Kamath F16C 35/073

AU 323432 8/2008

CL 198300540 8/1983

CL 199702909 12/1997

CL 199900143 1/1999

CL 200601482 6/2006

CL 200602468 9/2006

CL 201202656 9/2012

CL 201203144 11/2012

CL 201300064 1/2013

CL 201300619 3/2013

CL 201300987 4/2013

CL 201302889 10/2013

CL 201400655 3/2014

CL 201601163 5/2016

EM 001360325-0002 2/2013

EM 001360325-0003 2/2013

EM 001360325-0004 2/2013

EM 001360325-0005 2/2013

EM 001360325-0006 2/2013

EM 002769489-0002 9/2015

OTHER PUBLICATIONS

“APRB.” Found online Feb. 28, 2018 at aprb.ru. Image dated Feb. 7, 2008. Retrieved from URL: https://tineye.com/search/6c4f2b028a1f536d958f64d6188702b07f24bc0d/?extension_ver=chrome-1.2.0 (Year: 2008).*

“File: Pillow-block-bearing.jpg.” Found online Feb. 28, 2018 at commons.wikimedia.org. Page dated May 2, 2008. Retrieved from URL: <https://commons.wikimedia.org/wiki/File:Pillow-block-bearing.jpg> (Year: 2008).*

“Summit Pumps—SP Heavy Duty Slurry Pumps.” Found online Mar. 19, 2018 at pfcequip.com. Page dated Feb. 24, 2017. Retrieved from URL: <https://web.archive.org/web/20170224080515/https://pfcequip.com/index.php/summit-pumps/> (Year: 2017).*

KHD product brochure (Form BXHD 05/15), 8 pages, 2015 ITT Corporation, Inc.

* cited by examiner

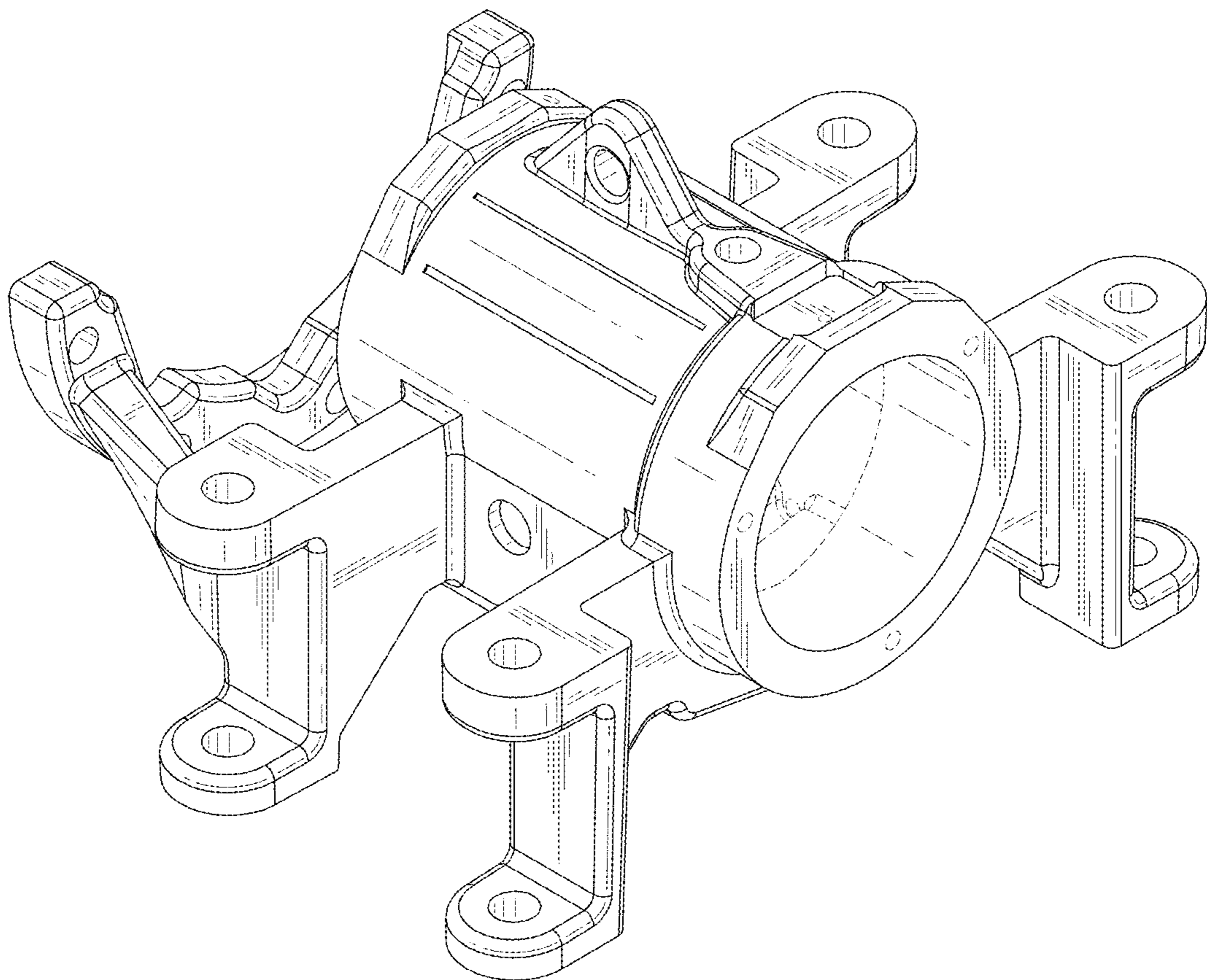


FIG. 1

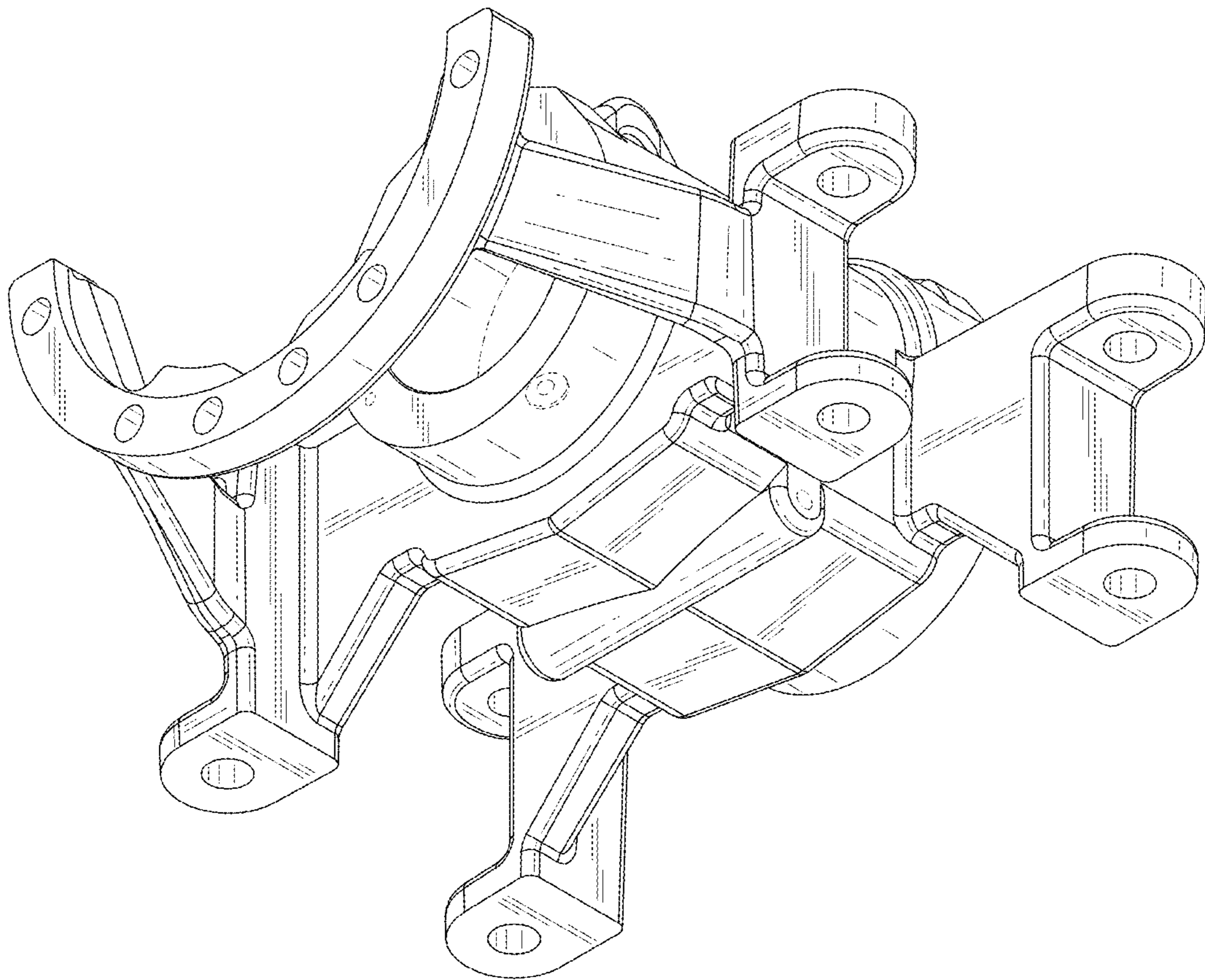


FIG. 2

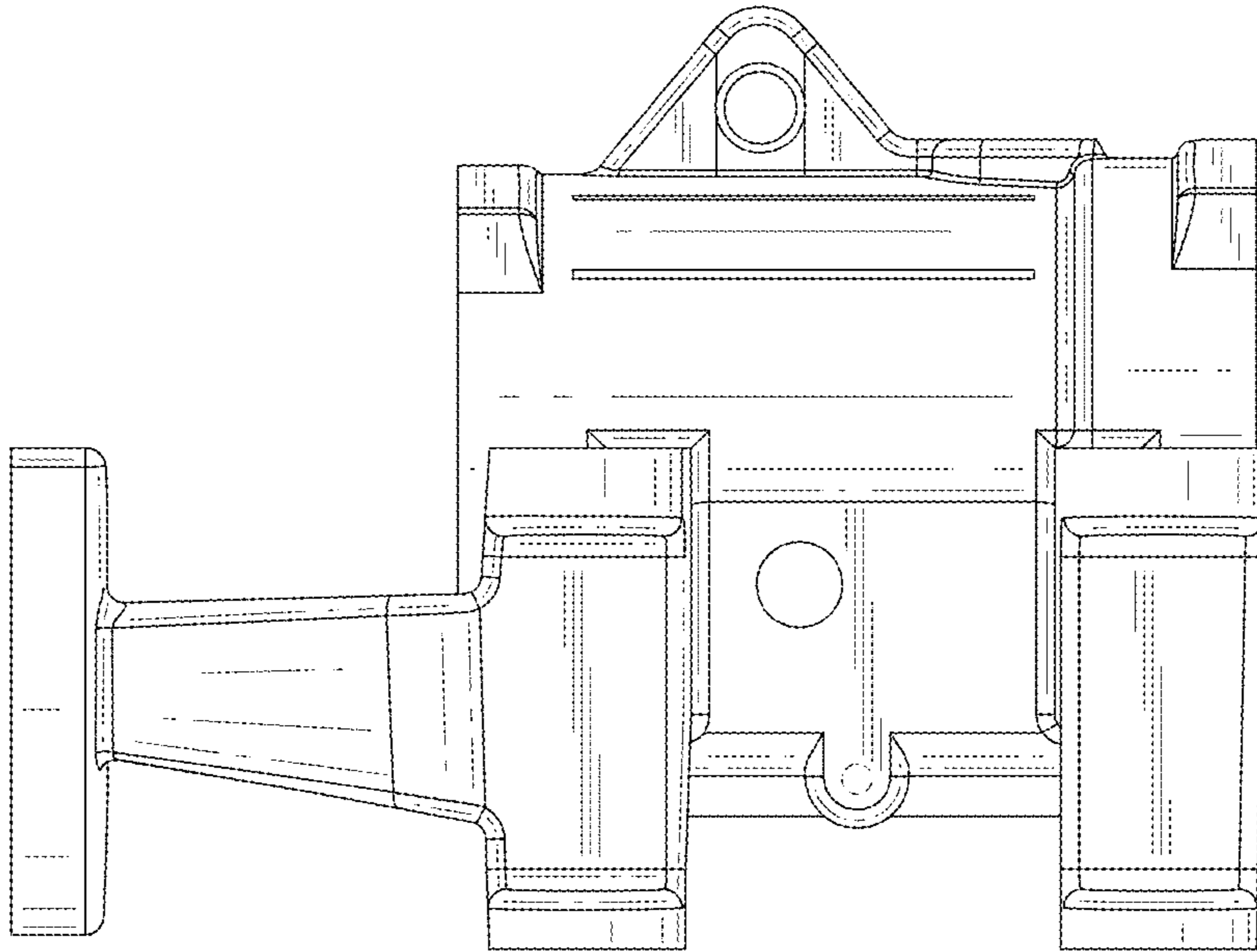


FIG. 3

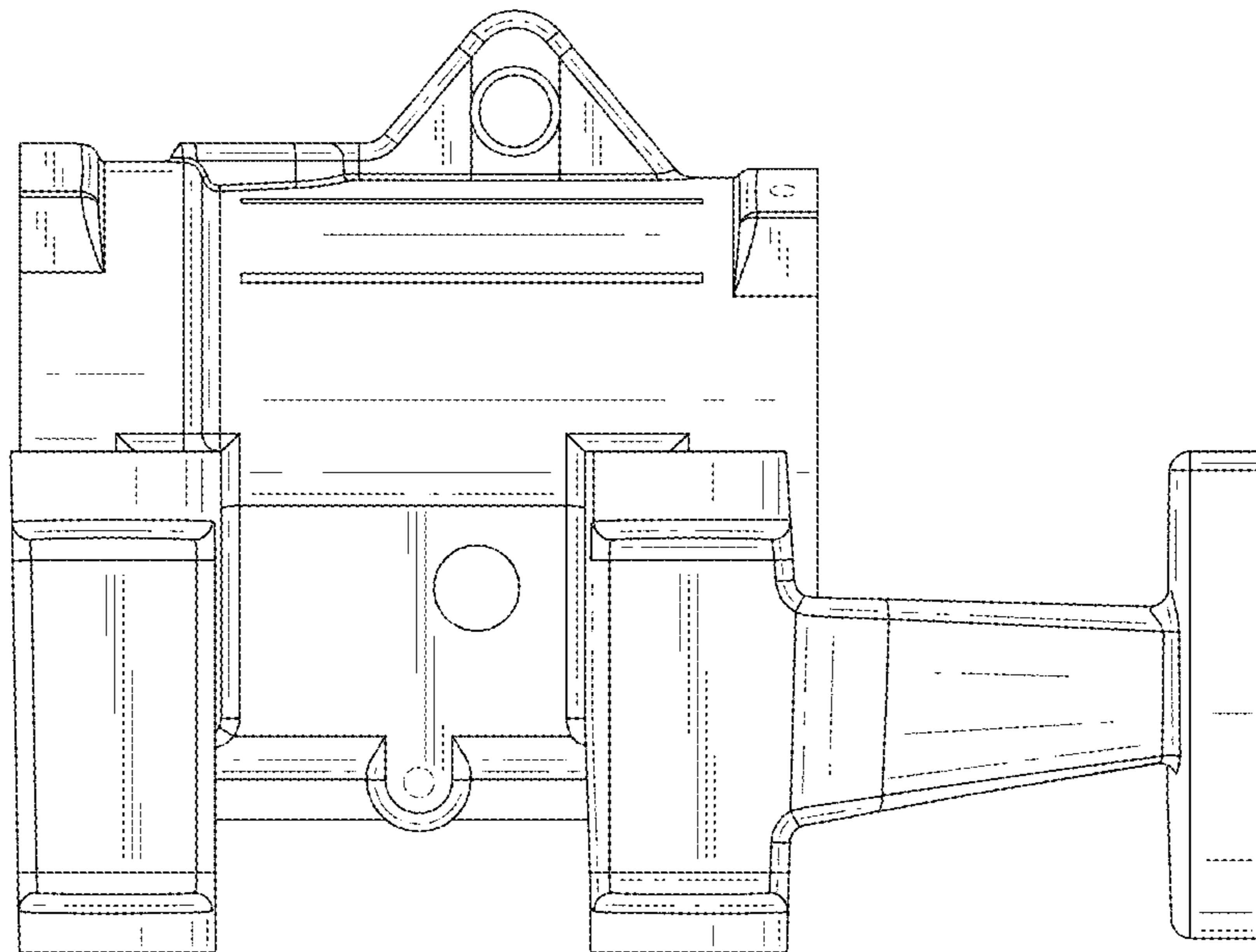


FIG. 4

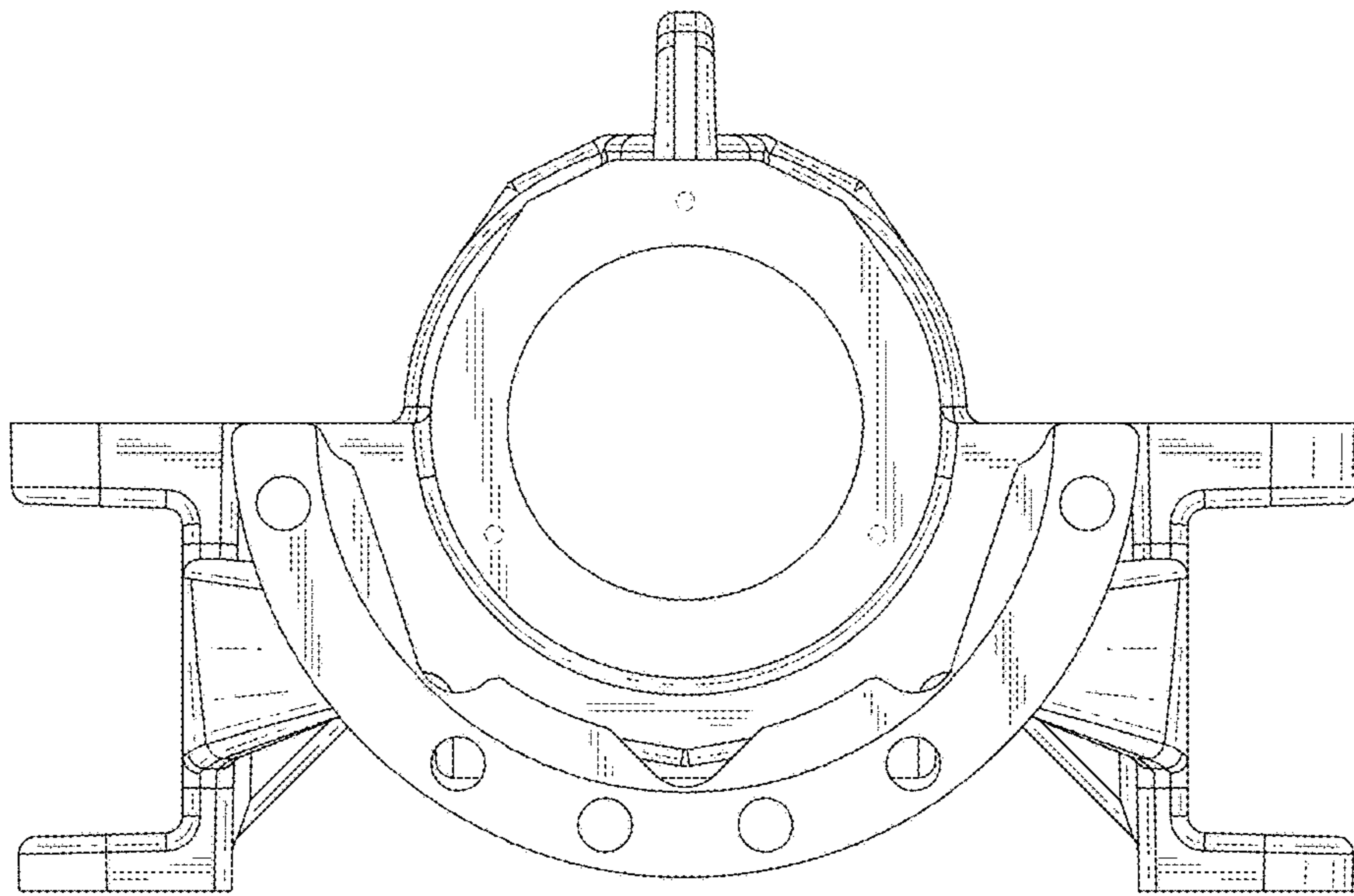


FIG. 5

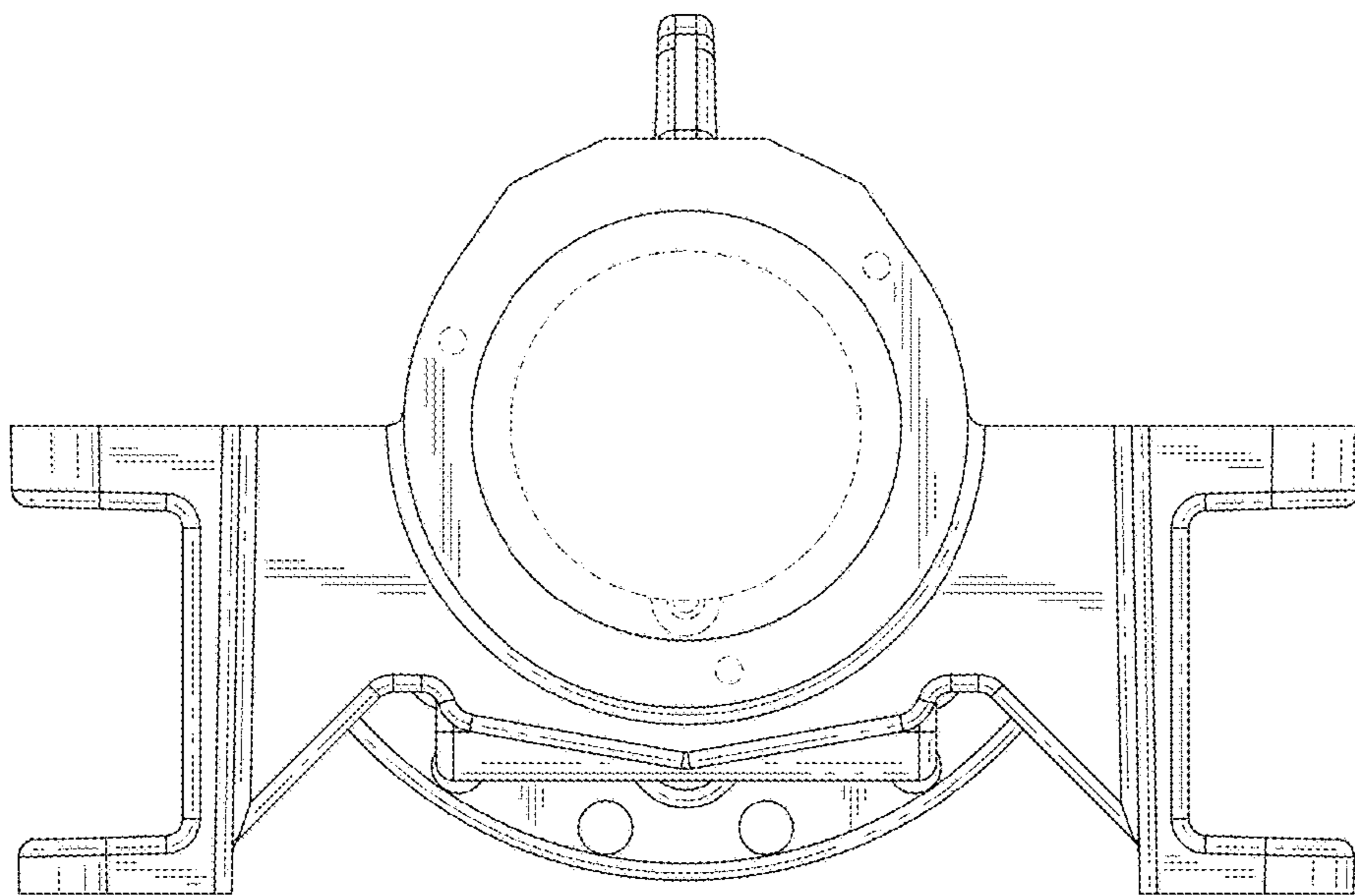


FIG. 6

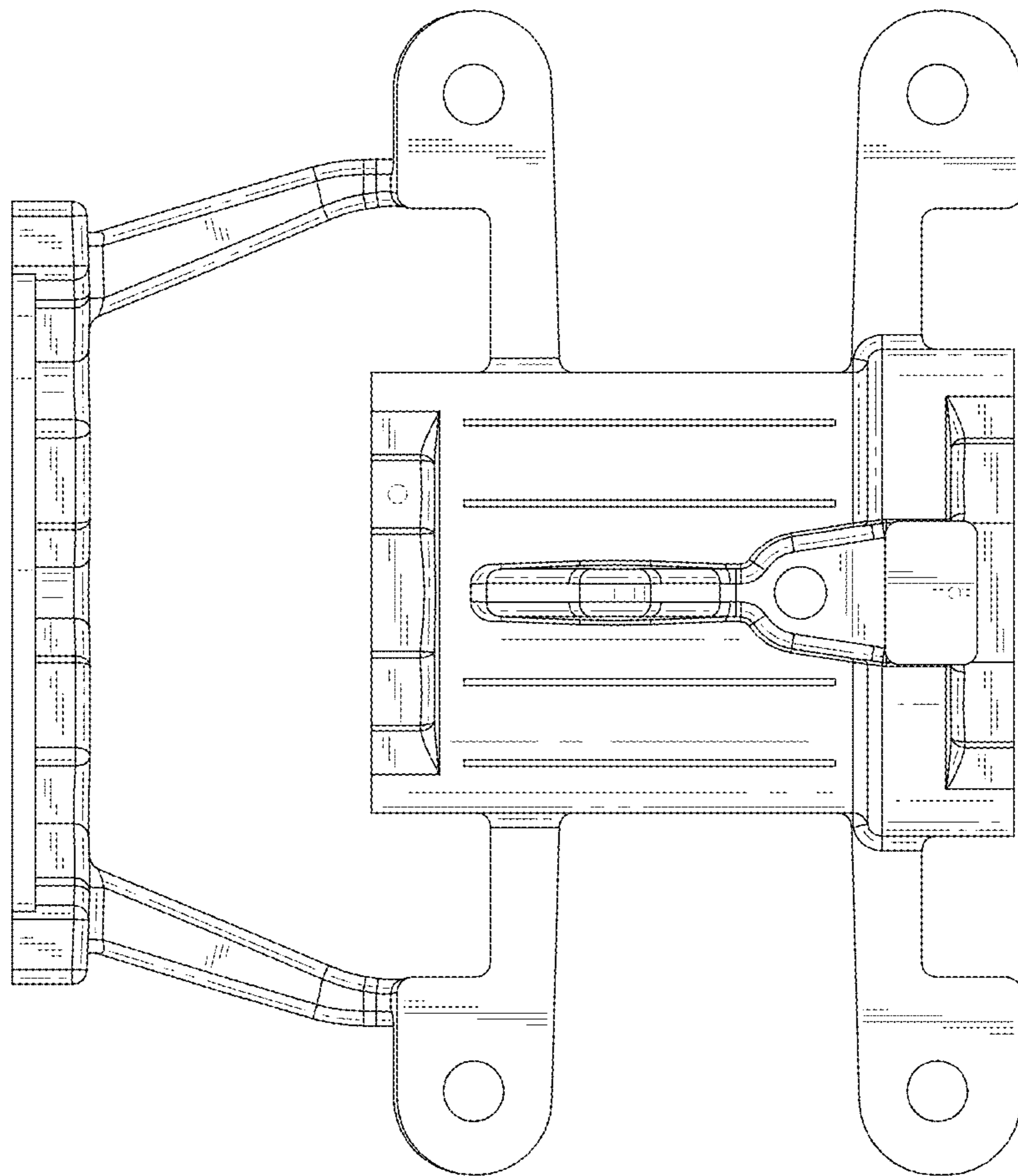


FIG. 7

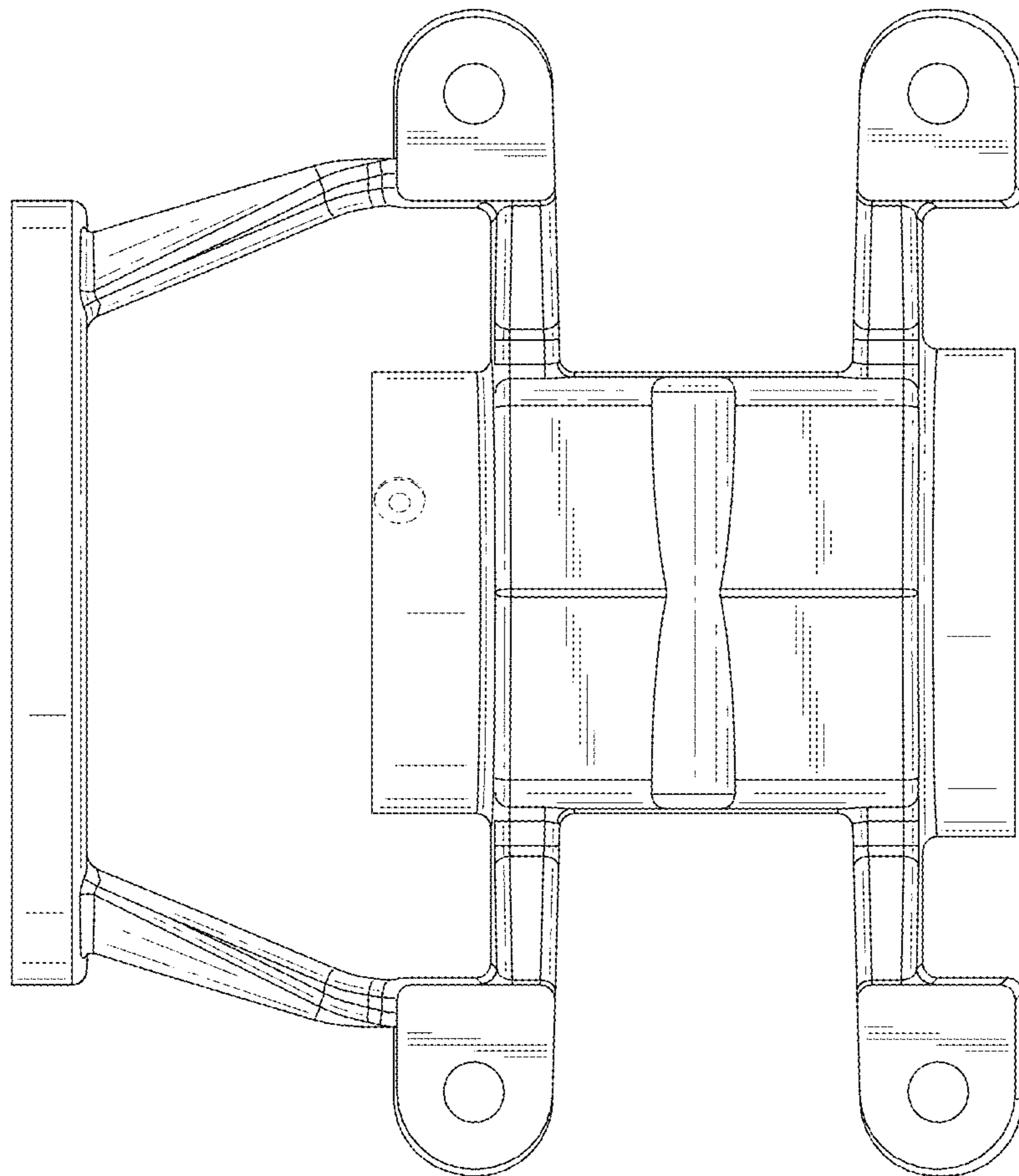


FIG. 8