



US00D832896S

(12) **United States Design Patent**
Carrithers

(10) **Patent No.:** **US D832,896 S**

(45) **Date of Patent:** **** Nov. 6, 2018**

- (54) **LOADER BUCKET FORKS**
- (71) Applicant: **Adam D. Carrithers**, Bardstown, KY (US)
- (72) Inventor: **Adam D. Carrithers**, Bardstown, KY (US)
- (**) Term: **15 Years**
- (21) Appl. No.: **29/625,775**
- (22) Filed: **Nov. 13, 2017**
- (51) **LOC (11) Cl.** **15-03**
- (52) **U.S. Cl.**
USPC **D15/32**
- (58) **Field of Classification Search**
USPC D15/10, 11, 22-28, 32
CPC . E02F 3/8152; E02F 3/36; E02F 3/401; E02F 9/2883; E02F 5/32
See application file for complete search history.

- D361,772 S * 8/1995 Hulsey D15/28
- 5,476,356 A * 12/1995 Weiss A01D 87/0053
414/24.5
- 5,478,192 A * 12/1995 Bentivoglio B66F 9/0655
180/251
- 5,664,348 A * 9/1997 Omann A01B 43/00
171/132
- 6,209,236 B1 * 4/2001 Omann
- 6,290,451 B1 * 9/2001 Ihm E02F 3/407
414/24.5
- 6,363,633 B1 * 4/2002 Holzer E02F 3/40
37/446
- 6,718,662 B1 * 4/2004 Schaff E02F 3/8152
171/43
- D623,671 S * 9/2010 Bolyard D15/32
- D700,918 S * 3/2014 Small A01D 87/122
D15/28
- D747,748 S * 1/2016 Ballowe D15/32

* cited by examiner

Primary Examiner — Mark A Goodwin
(74) *Attorney, Agent, or Firm* — Carrithers Law Office, PLLC; David W. Carrithers

(56) **References Cited**

U.S. PATENT DOCUMENTS

- D141,948 S * 8/1945 Michaels D15/32
- 2,652,939 A * 9/1953 Burch D87/3
- 2,868,399 A * 1/1959 Laurent D87/61
- 2,932,100 A * 4/1960 Goethe A01B 35/00
172/766
- 4,125,952 A * 11/1978 Jennings A01D 87/0053
37/405
- D292,136 S * 9/1987 Burenga D15/32
- 5,079,864 A * 1/1992 Roy A01B 59/062
37/302
- 5,333,693 A * 8/1994 Severeid A01G 23/06
171/82
- 5,413,181 A * 5/1995 Keigley E02F 3/815
172/253

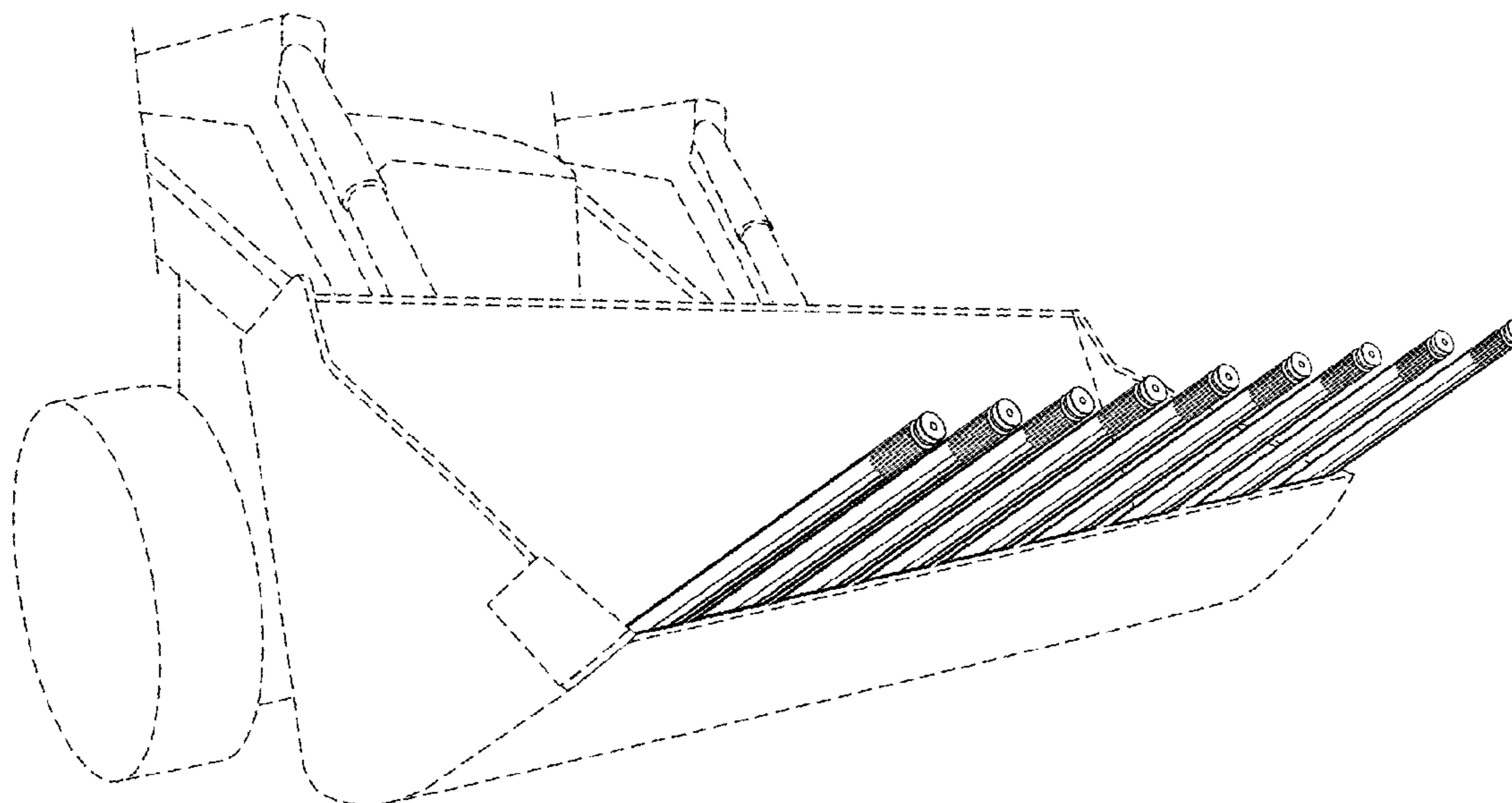
(57) **CLAIM**

The ornamental design for loader bucket forks, as shown and described.

DESCRIPTION

FIG. 1 is a perspective view of loader bucket forks showing my new design;
FIG. 2 is a front view thereof;
FIG. 3 is a side view thereof;
FIG. 4 is a top view thereof; and,
FIG. 5 is a bottom view thereof.
The broken lines shown in the drawings represent portions of the loader bucket that form no part of the claimed design.

1 Claim, 3 Drawing Sheets



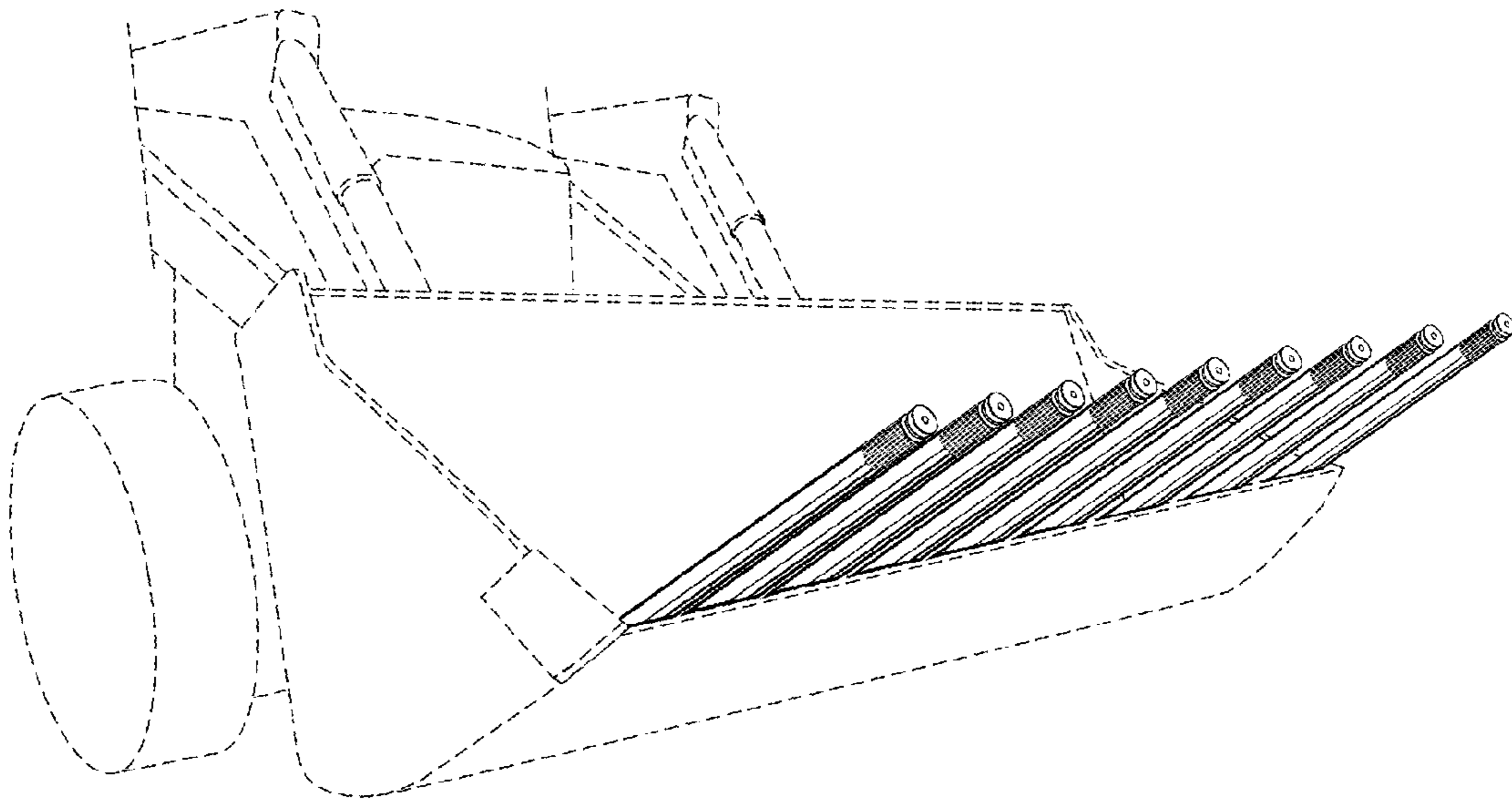


FIG. 1

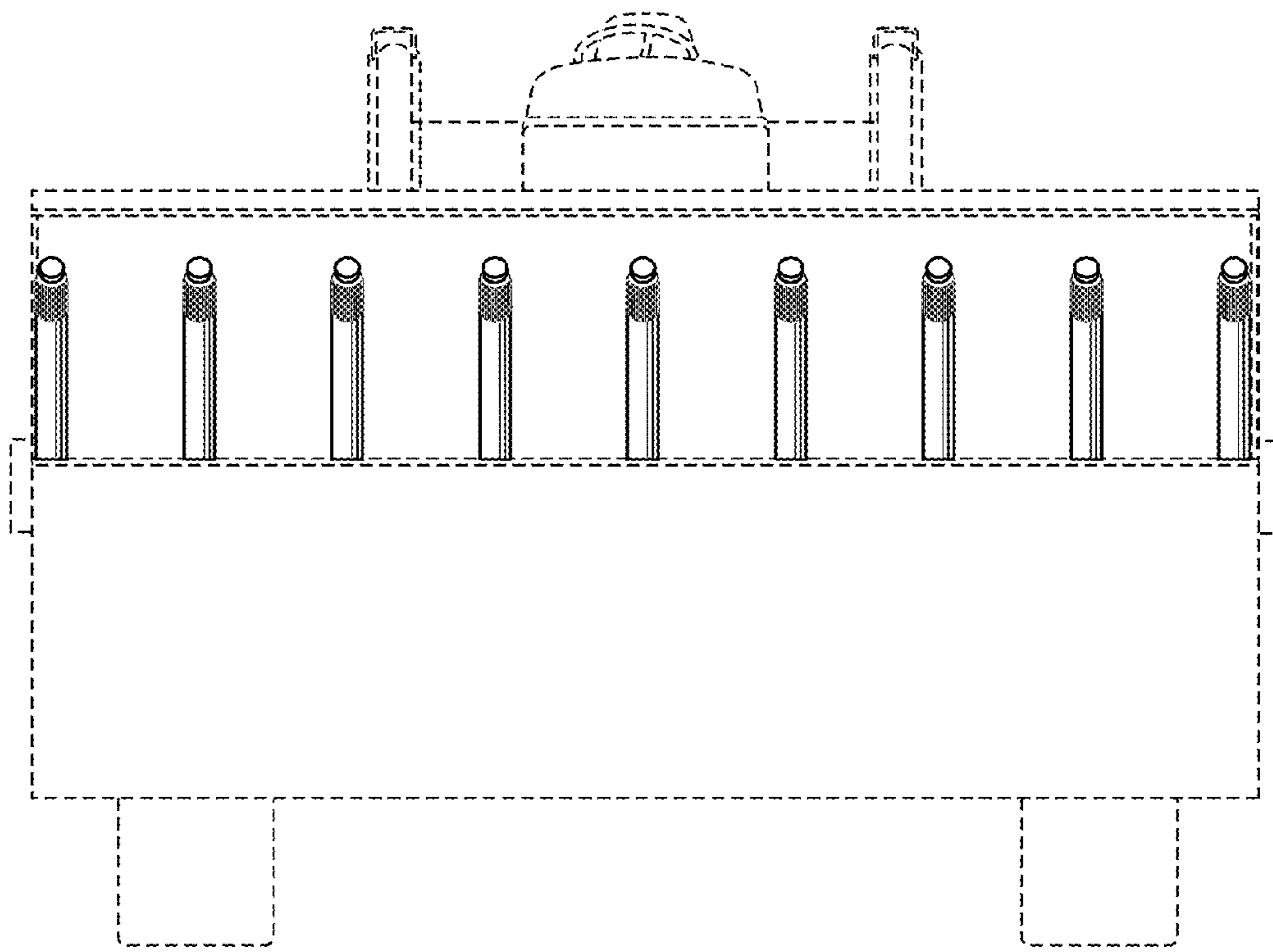


FIG. 2

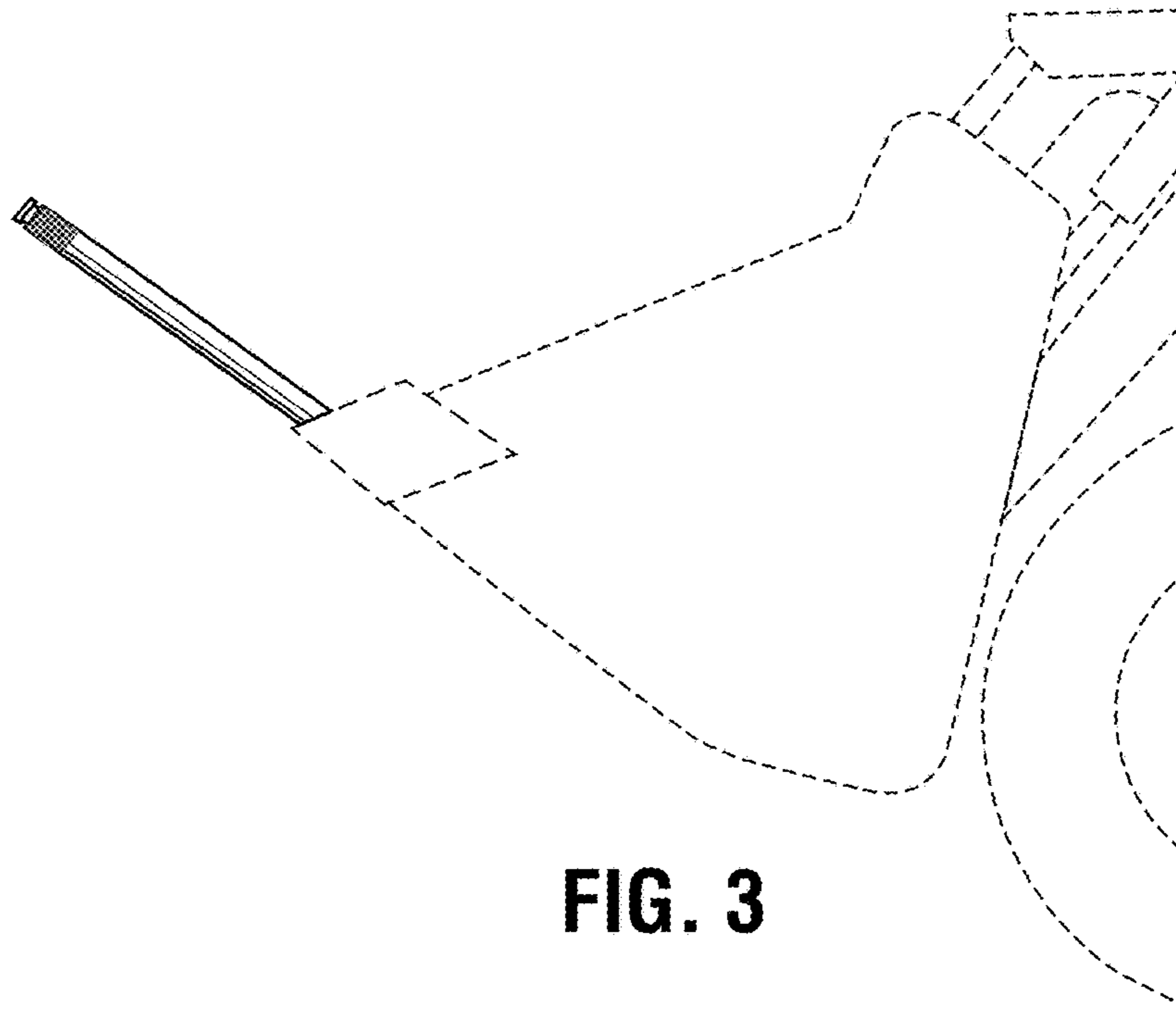


FIG. 3

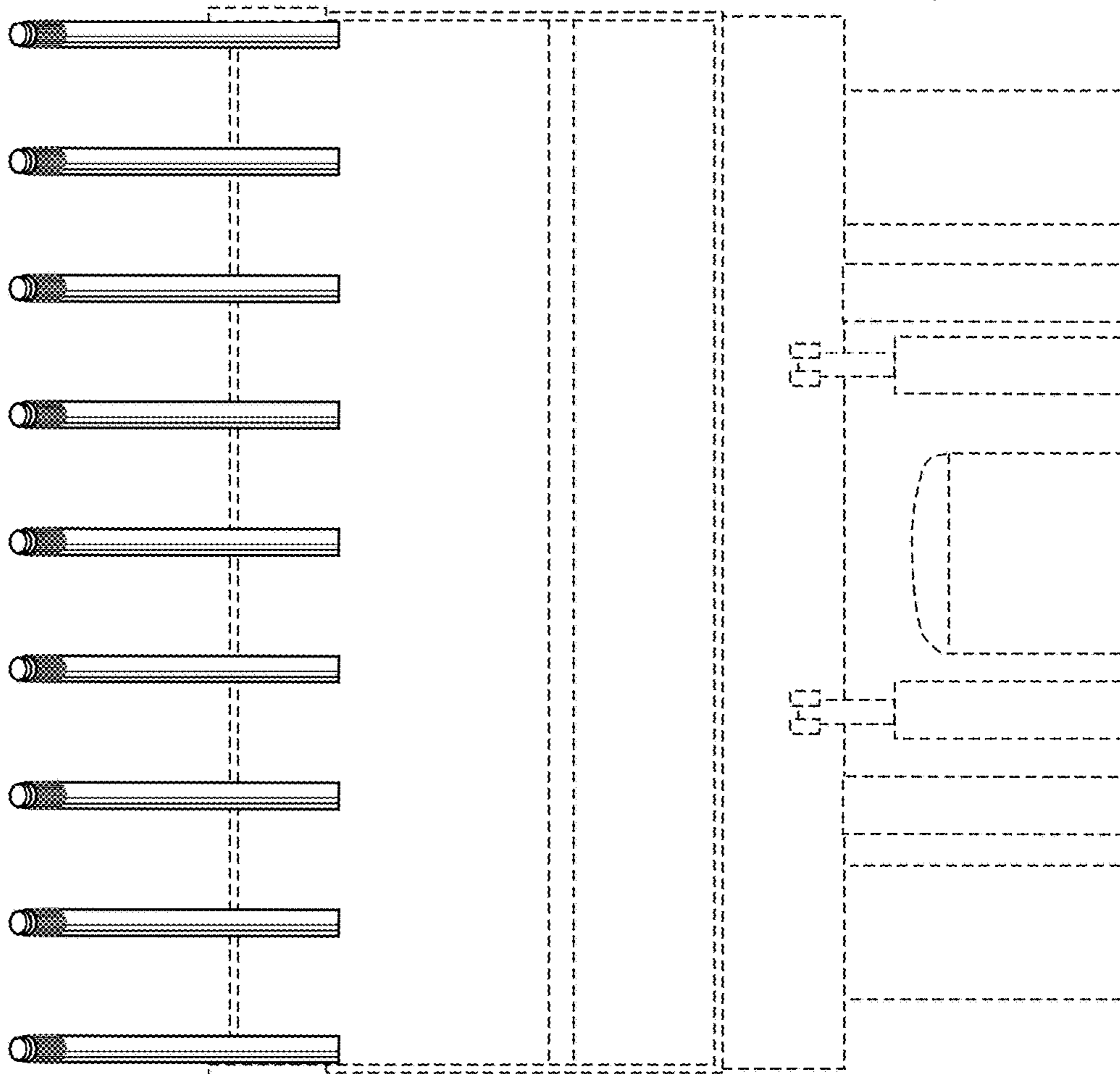


FIG. 4

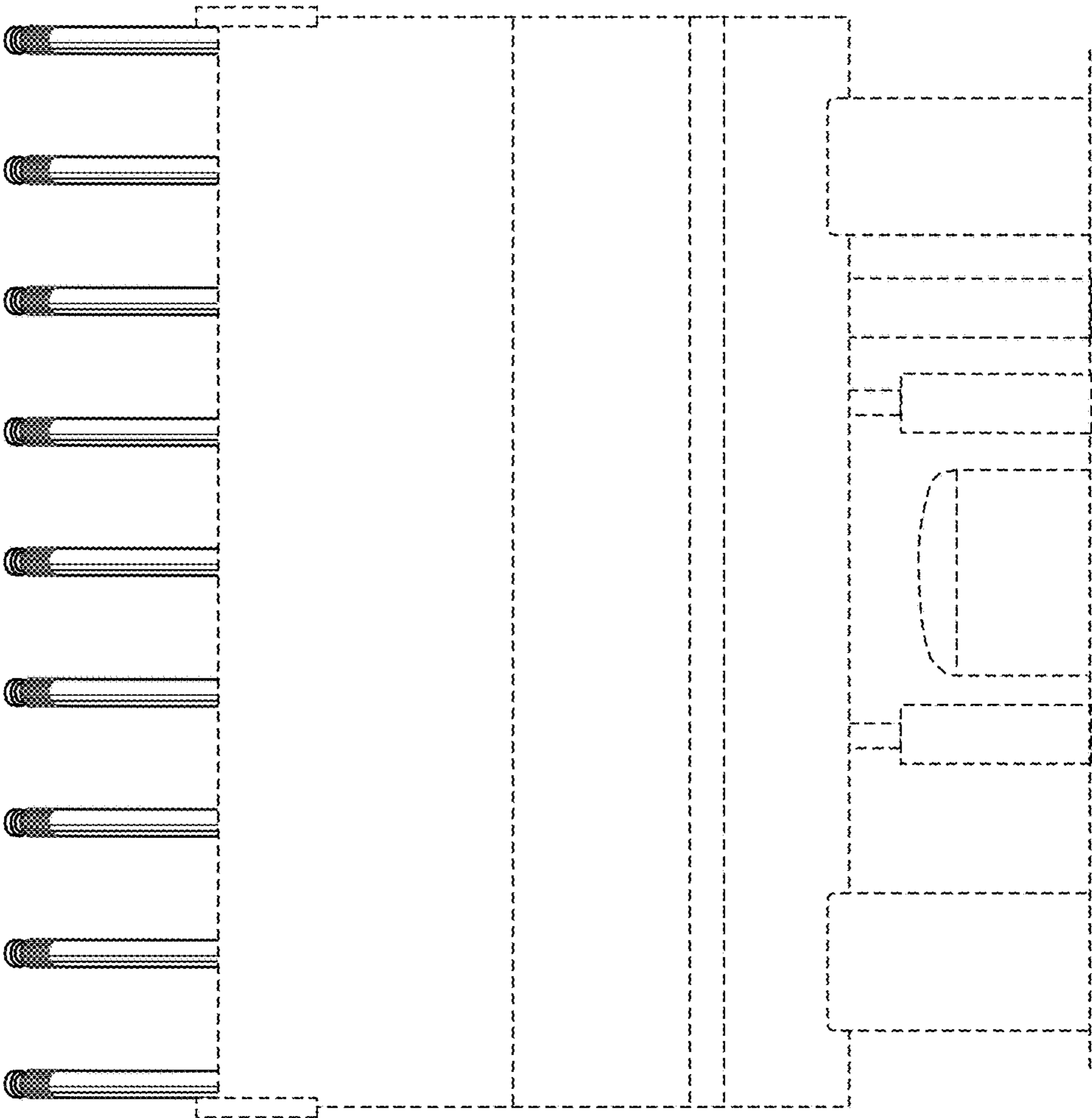


FIG. 5