



US00D832895S

(12) **United States Design Patent**  
**Dekker**

(10) **Patent No.:** **US D832,895 S**  
(45) **Date of Patent:** **\*\* Nov. 6, 2018**

(54) **LOADER UNIT**

(71) Applicant: **ÅLÖ AB**, Umeå (SE)

(72) Inventor: **Thérèse Dekker**, Olofstorp (SE)

(73) Assignee: **ÅLÖ AB**, Umeå (SE)

(\*\*) Term: **15 Years**

(21) Appl. No.: **29/599,396**

(22) Filed: **Apr. 3, 2017**

(30) **Foreign Application Priority Data**

Oct. 4, 2016 (EM) ..... 003404243

(51) **LOC (11) Cl.** ..... **15-03**

(52) **U.S. Cl.**  
USPC ..... **D15/32; D15/28**

(58) **Field of Classification Search**  
USPC ..... D15/10, 22-26, 28, 29, 32; 414/686,  
414/694, 722, 718, 815, 723, 685, 724;  
37/341, 407, 468

CPC ... E02F 9/2275; E02F 3/34; E02F 3/28; E02F  
3/36; E02F 3/6273; E02F 3/627; E02F  
3/432; E02F 3/422; E02F 3/3408; E02F  
3/382; B66C 23/00; A01D 87/0069

See application file for complete search history.

(56) **References Cited**

**U.S. PATENT DOCUMENTS**

4,576,543 A \* 3/1986 Kuchyt ..... A01D 87/0069  
414/685  
D528,569 S 9/2006 Nilsson  
D529,053 S \* 9/2006 Stender ..... D15/32  
D538,829 S 3/2007 Nilsson  
D584,749 S \* 1/2009 Smith ..... D15/28  
D595,746 S \* 7/2009 Iida ..... D15/28  
D610,172 S \* 2/2010 Yukino ..... D15/28  
D649,170 S \* 11/2011 Barba ..... D15/28

D649,171 S \* 11/2011 Barba ..... D15/28  
D656,164 S 3/2012 Nilsson  
D656,523 S 3/2012 Nilsson  
D672,372 S 12/2012 Nilsson  
D672,373 S 12/2012 Nilsson  
D739,446 S 9/2015 Nilsson  
D760,811 S \* 7/2016 Uchijima ..... D15/28  
D766,342 S \* 9/2016 Esqueda ..... D15/28

(Continued)

**FOREIGN PATENT DOCUMENTS**

EM 000238670 10/2004  
EM 001802802 1/2011

(Continued)

**OTHER PUBLICATIONS**

Decision to Grant Design—for corresponding Japanese design application 2017-007046 dated Aug. 4, 2017 with English Translation.

(Continued)

*Primary Examiner* — Mark A Goodwin

(74) *Attorney, Agent, or Firm* — Knobbe Martens Olson & Bear LLP

(57) **CLAIM**

The ornamental design for a loader unit, as shown.

**DESCRIPTION**

FIG. 1 is a first perspective view of a loader unit according to my new design.

FIG. 2 is a second perspective view thereof.

FIG. 3 is a left side elevational view thereof.

FIG. 4 is a right side elevational view thereof.

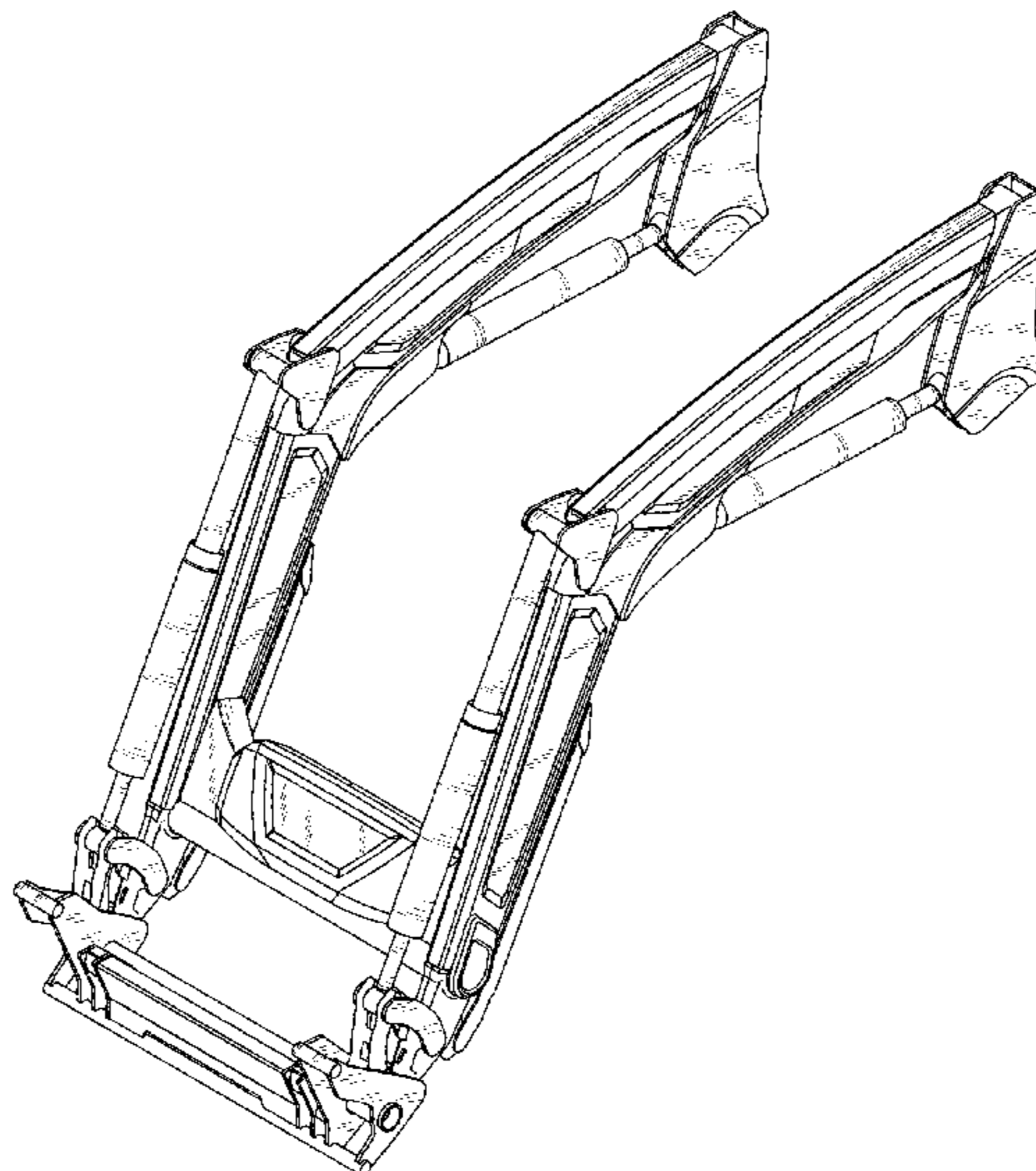
FIG. 5 is a top plan view thereof.

FIG. 6 is a bottom plan view thereof.

FIG. 7 is a front elevational view thereof; and,

FIG. 8 is a rear elevational view thereof.

**1 Claim, 8 Drawing Sheets**



(56)

**References Cited**

U.S. PATENT DOCUMENTS

D766,343 S \* 9/2016 Linan ..... D15/28  
D768,731 S \* 10/2016 Esqueda ..... D15/32  
D769,335 S \* 10/2016 Esqueda ..... D15/32  
D788,184 S \* 5/2017 Okuyama ..... D15/32  
D807,407 S \* 1/2018 Takagi ..... D15/32

FOREIGN PATENT DOCUMENTS

EM 001950403 11/2011  
JP 2017-007046 4/2017  
JP 2017-007047 4/2017

OTHER PUBLICATIONS

Decision to Grant Design—for corresponding Japanese design application 2017-007047 dated Aug. 4, 2017 with English Translation.

\* cited by examiner

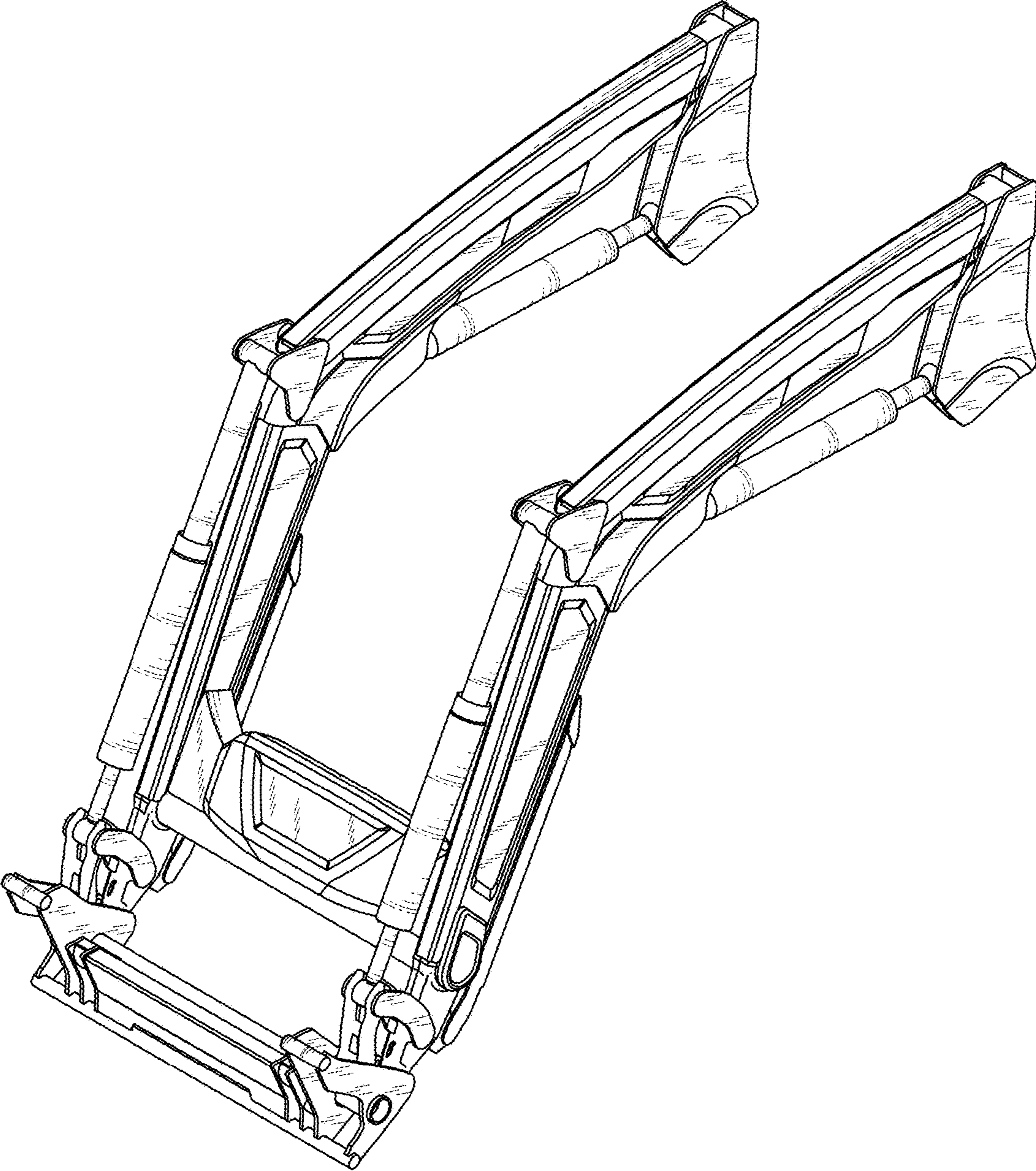


FIG. 1

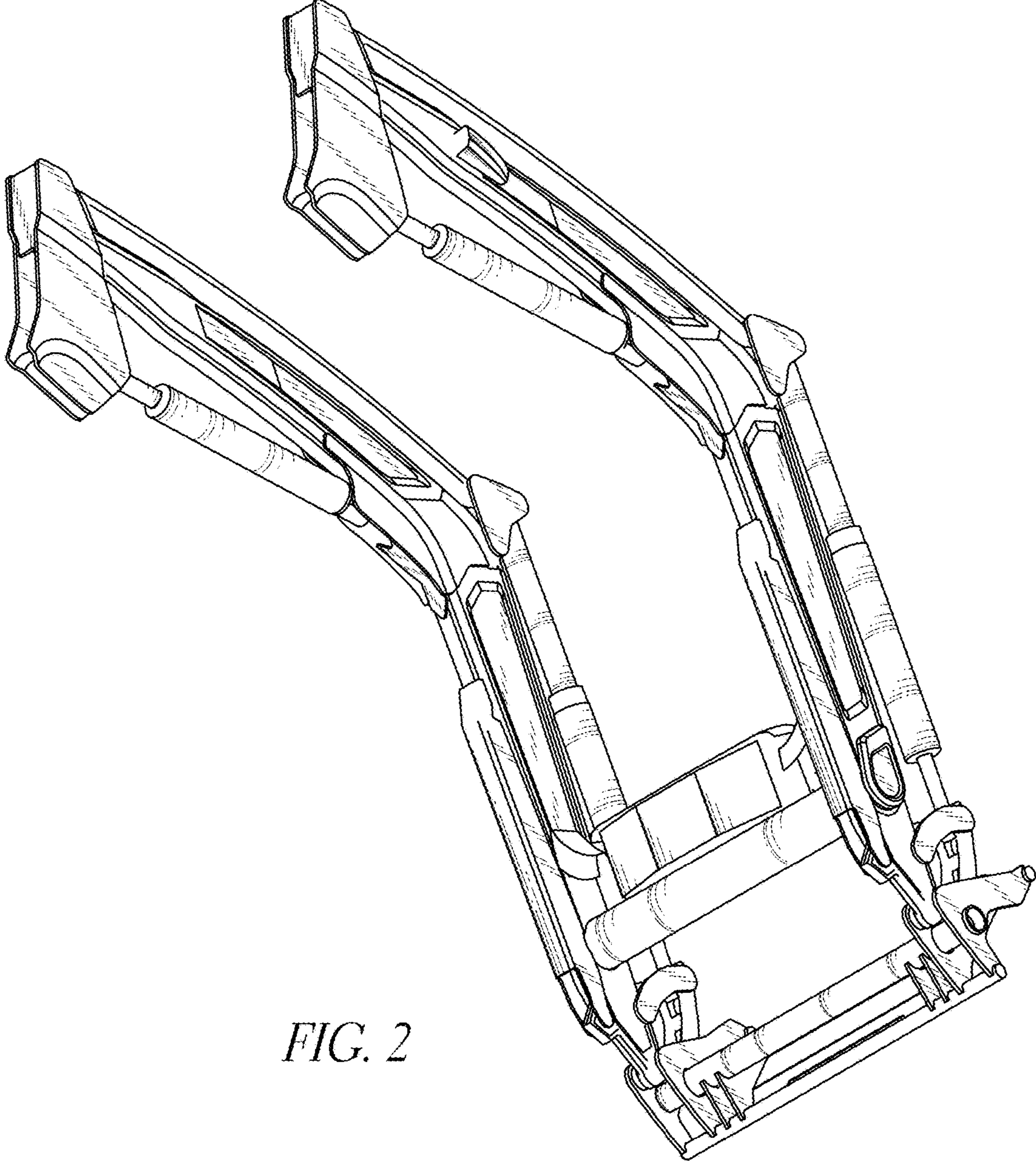


FIG. 2

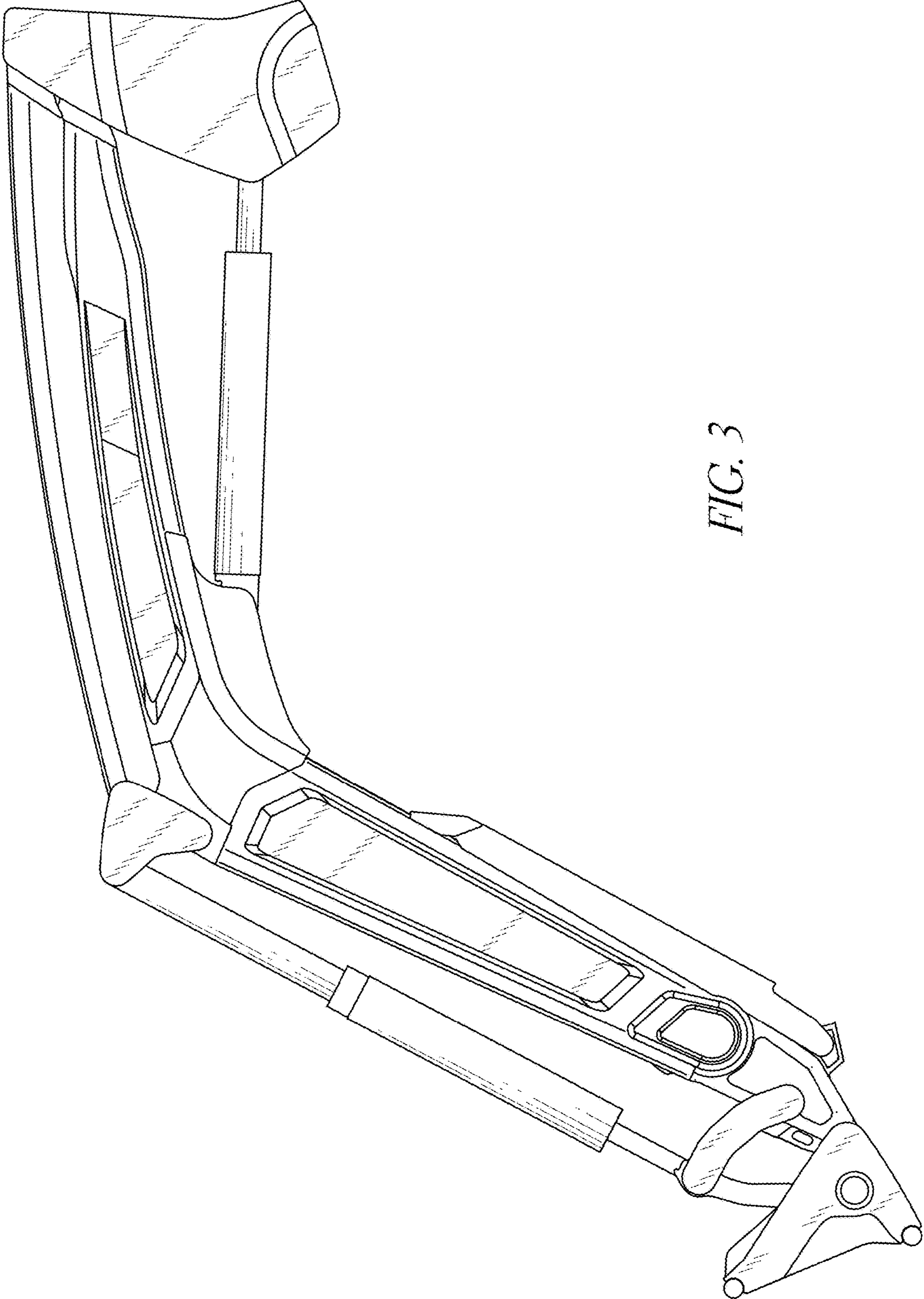


FIG. 3

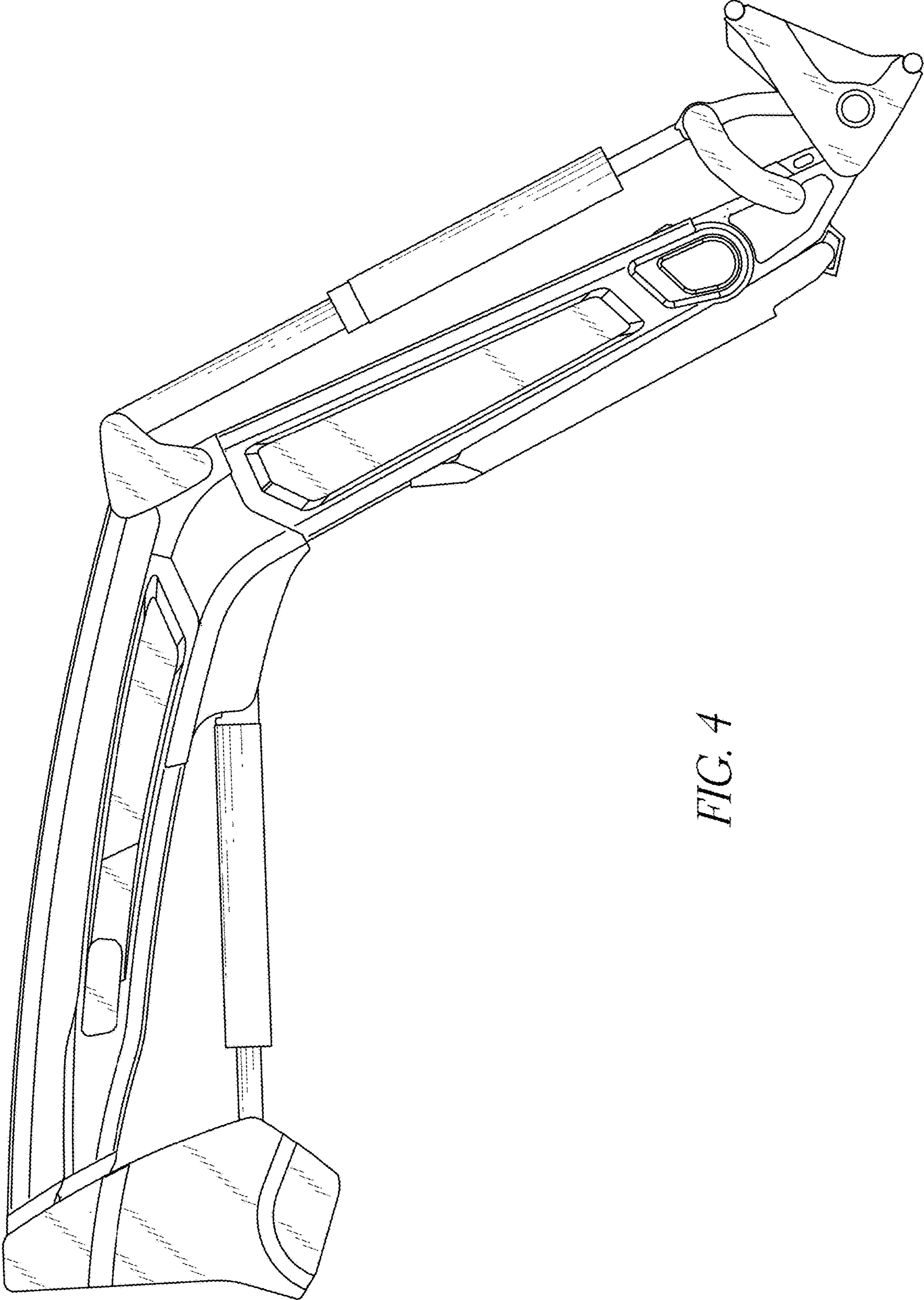
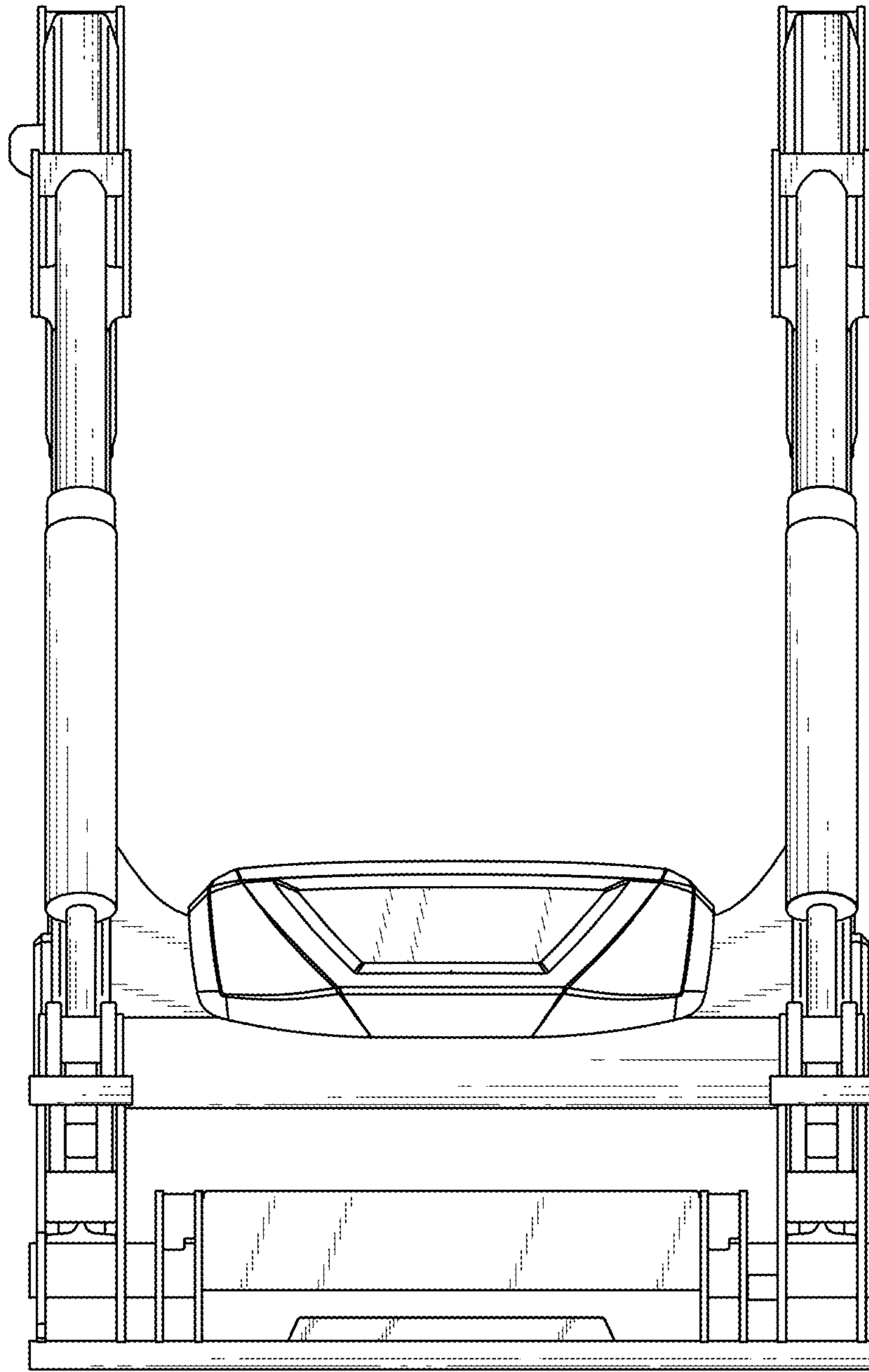
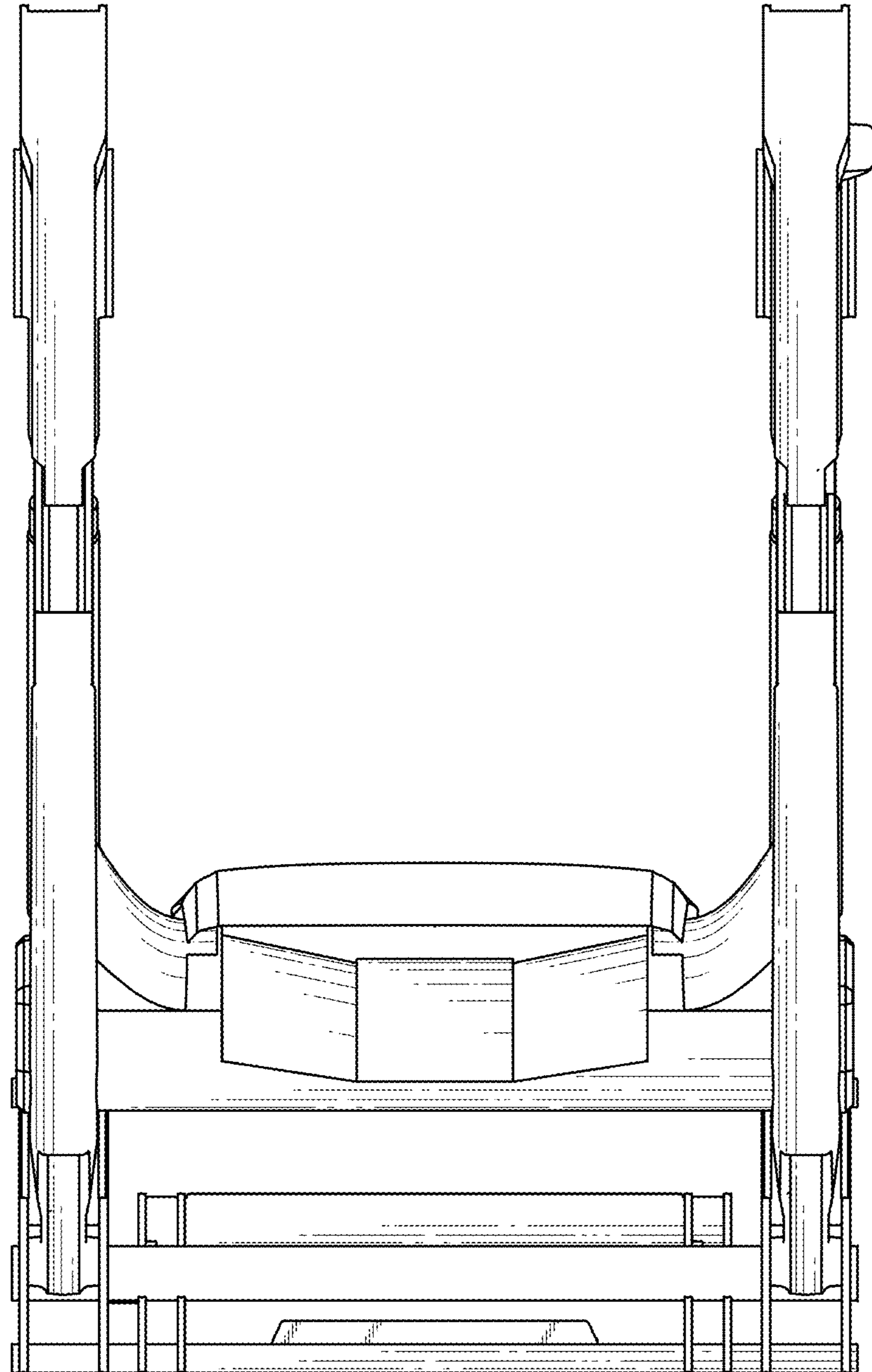


FIG. 4



*FIG. 5*



*FIG. 6*



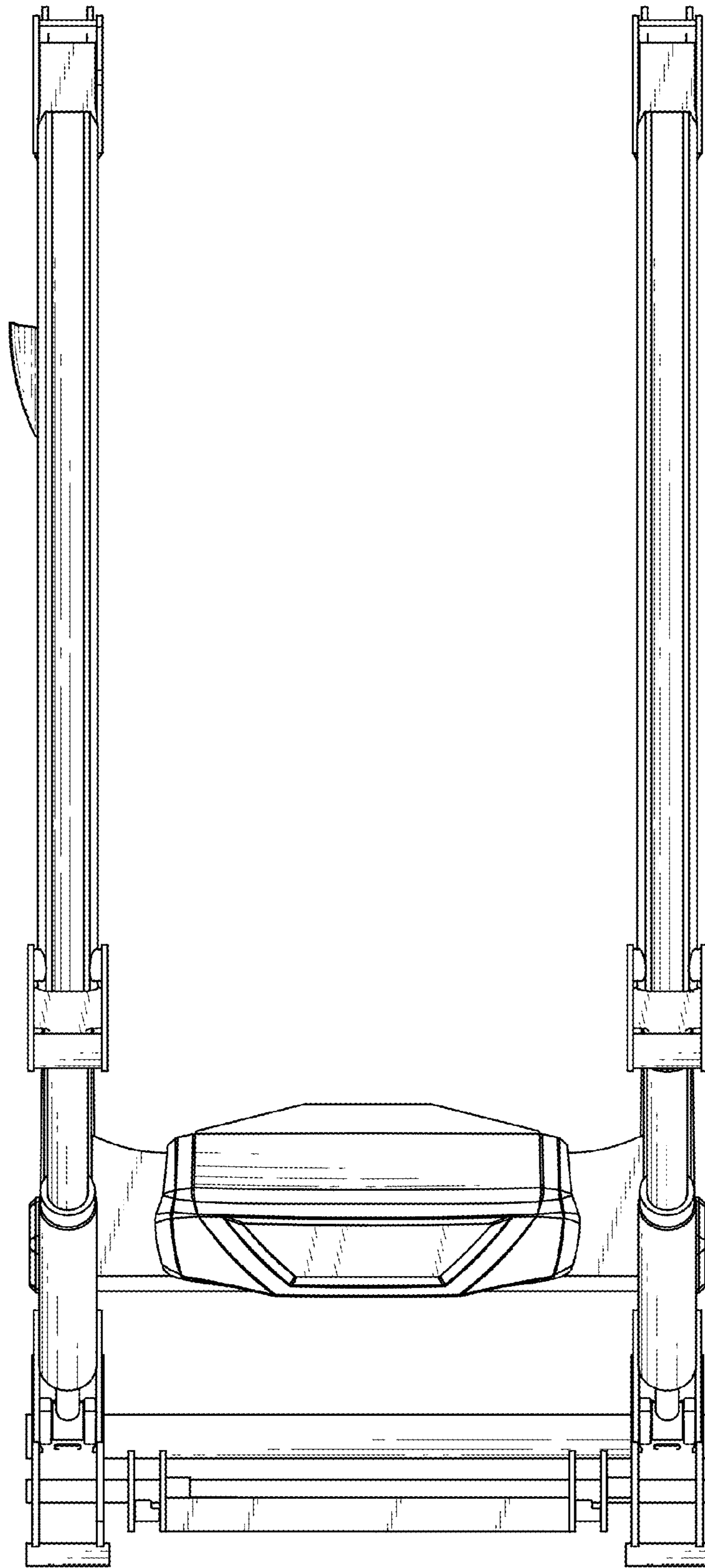


FIG. 7

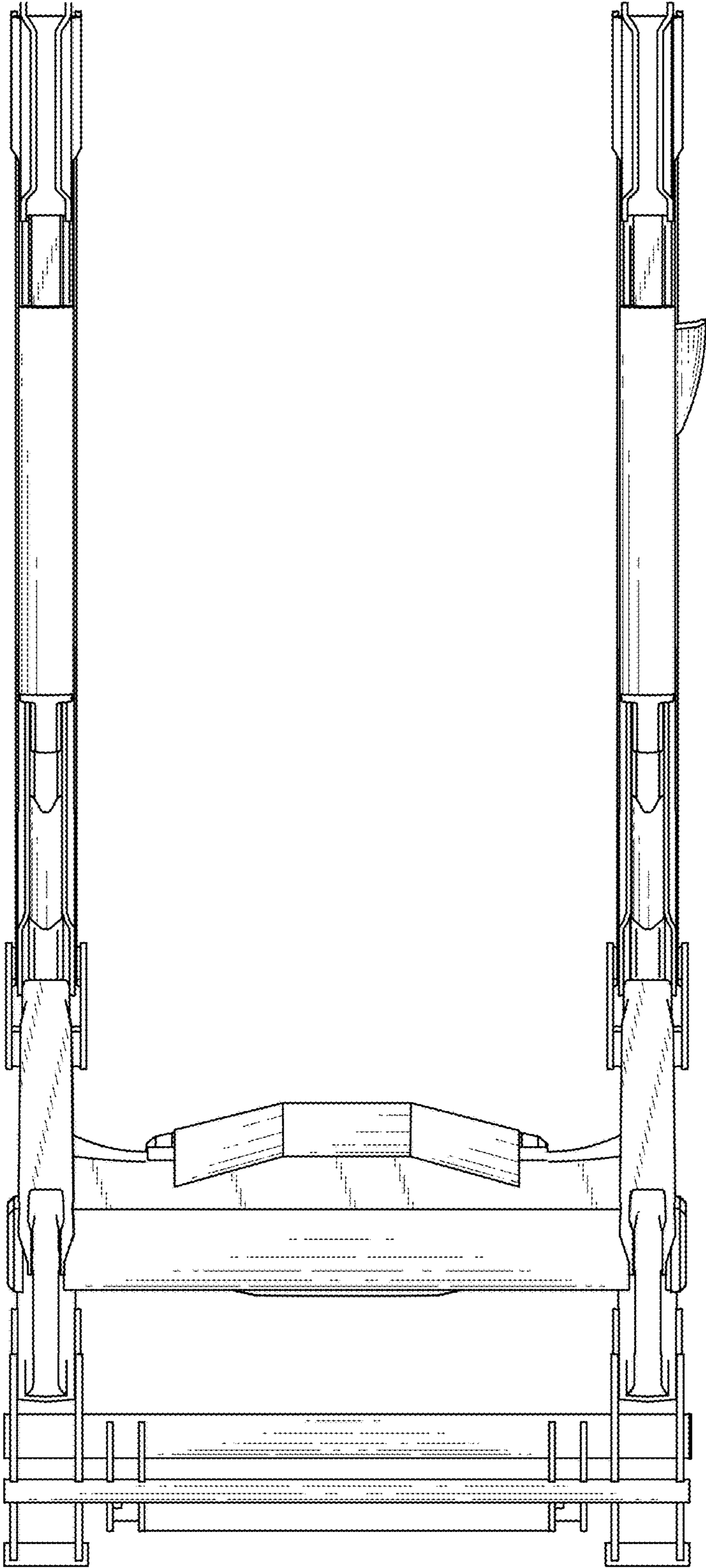


FIG. 8