



US00D832893S

(12) **United States Design Patent**
Petrelli

(10) **Patent No.:** **US D832,893 S**

(45) **Date of Patent:** **** Nov. 6, 2018**

(54) **FITTING FOR TIRE INFLATION AND TIRE REPAIR**

(71) Applicant: **TEK GLOBAL S.R.L.**, Pesaro (IT)

(72) Inventor: **Guido Petrelli**, Pesaro (IT)

(73) Assignee: **TEK GLOBAL S.R.L.**, Pesaro (IT)

(**) Term: **15 Years**

(21) Appl. No.: **35/502,606**

(22) Filed: **Nov. 11, 2016**

(80) **Hague Agreement Data**

Int. Filing Date: **Nov. 11, 2016**

Int. Reg. No.: **DM/094961**

Int. Reg. Date: **Nov. 11, 2016**

Int. Reg. Pub. Date: **Mar. 10, 2017**

(30) **Foreign Application Priority Data**

May 12, 2016 (EM) 003125459

(51) **LOC (11) Cl.** **15-02**

(52) **U.S. Cl.**
USPC **D15/9**

(58) **Field of Classification Search**

USPC D15/7, 9

CPC B29C 73/163

See application file for complete search history.

(56) **References Cited**

U.S. PATENT DOCUMENTS

D499,426 S * 12/2004 Chou D15/7

D582,945 S * 12/2008 Chou D15/9

D626,571 S *	11/2010	Eckhardt	D15/9
D627,795 S *	11/2010	Eckhardt	D15/9
D629,424 S *	12/2010	Eckhardt	D15/9
D644,252 S *	8/2011	Kojima	D15/9
D657,801 S *	4/2012	Eckhardt	D15/9
D672,368 S *	12/2012	Wong	D15/9
D678,351 S *	3/2013	Wong	D15/9
D703,241 S *	4/2014	Eckhardt	D15/9
D722,618 S *	2/2015	Wong	D15/9
D723,588 S *	3/2015	Wang	D15/9
D727,973 S *	4/2015	Jhou	D15/9
D734,367 S *	7/2015	Jhou	D15/9
9,227,469 B2 *	1/2016	Jhou	B29C 73/163
D754,209 S *	4/2016	Chou	D15/7

* cited by examiner

Primary Examiner — George D. Kirschbaum

(74) *Attorney, Agent, or Firm* — Dorsey & Whitney LLP

(57) **CLAIM**

The ornamental design for a fitting for tire inflation and tire repair, as shown and described.

DESCRIPTION

FIG. 2.1 is a perspective view of a fitting for tire inflation and tire repair;

FIG. 2.2 is a left side elevational view thereof;

FIG. 2.3 is a right side elevational view thereof;

FIG. 2.4 is a front elevational view thereof;

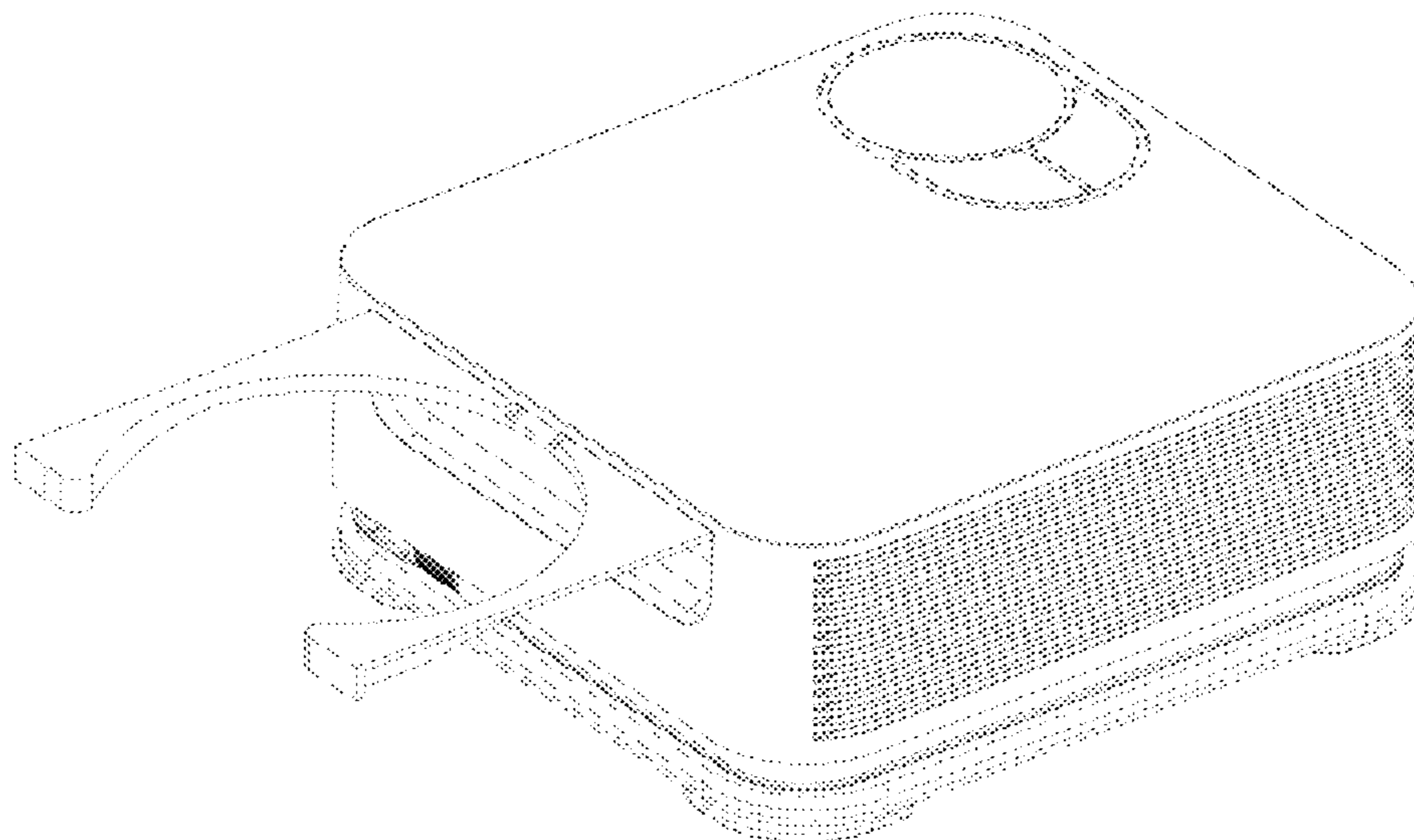
FIG. 2.5 is a back elevational view thereof;

FIG. 2.6 is a top plan view thereof; and

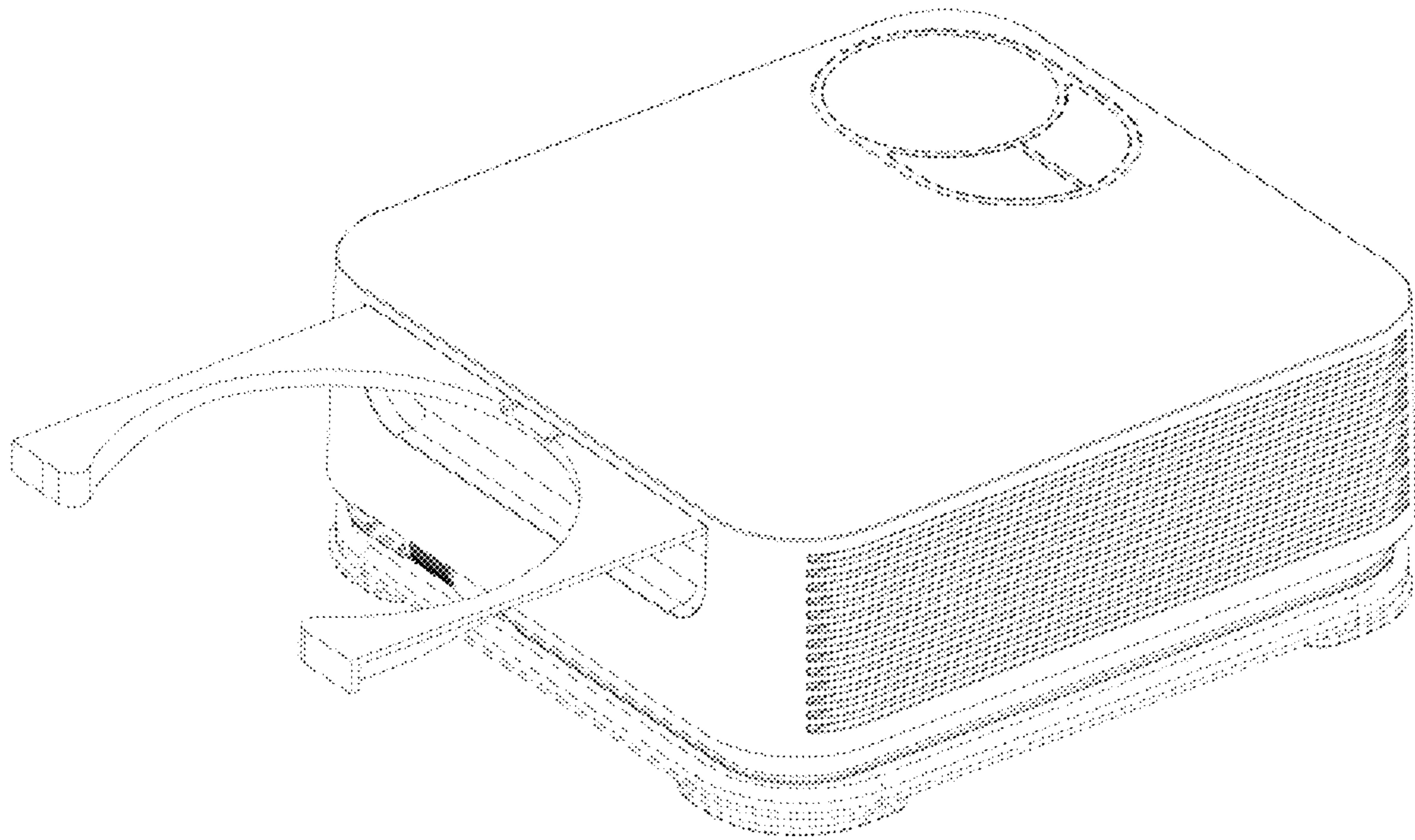
FIG. 2.7 is a bottom plan view thereof.

The broken lines shown in the drawings are for illustrative purposes only and form no part of the claimed design.

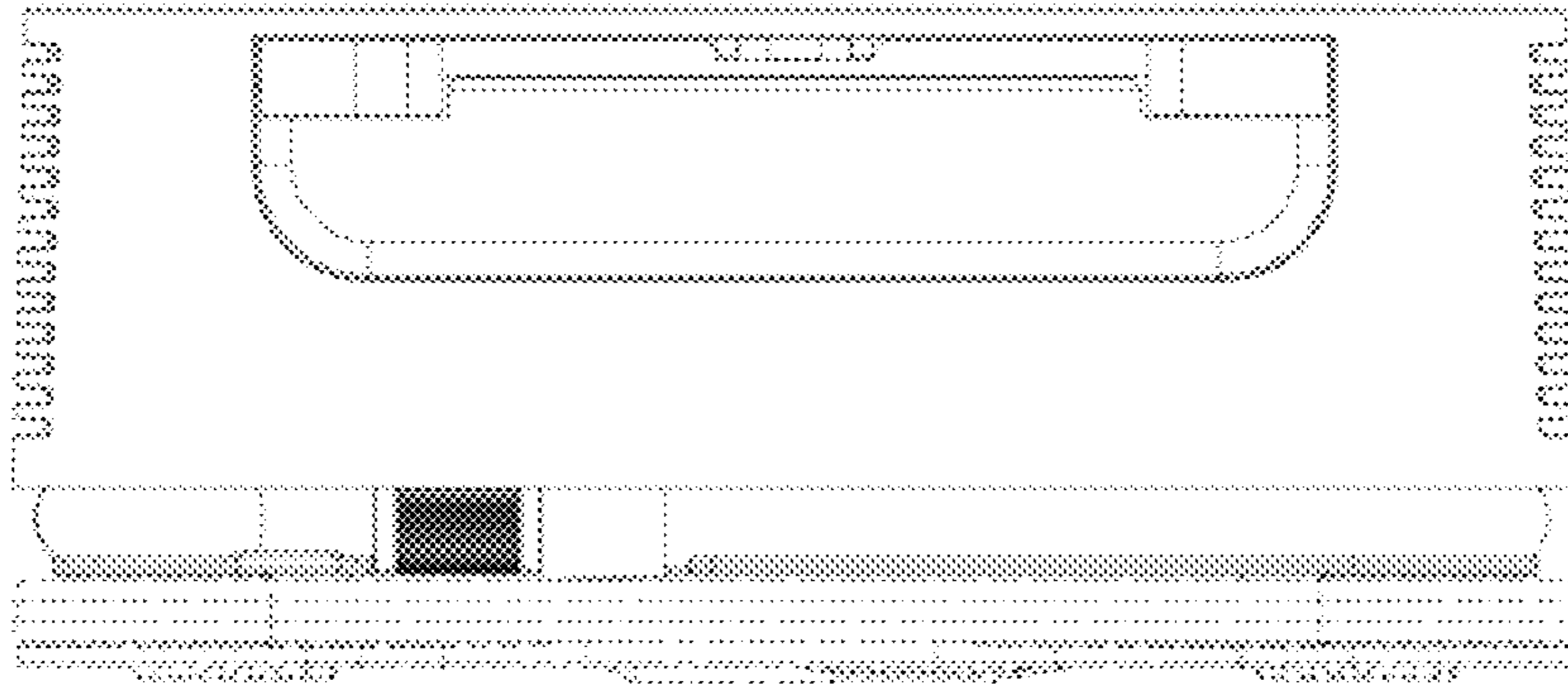
1 Claim, 7 Drawing Sheets



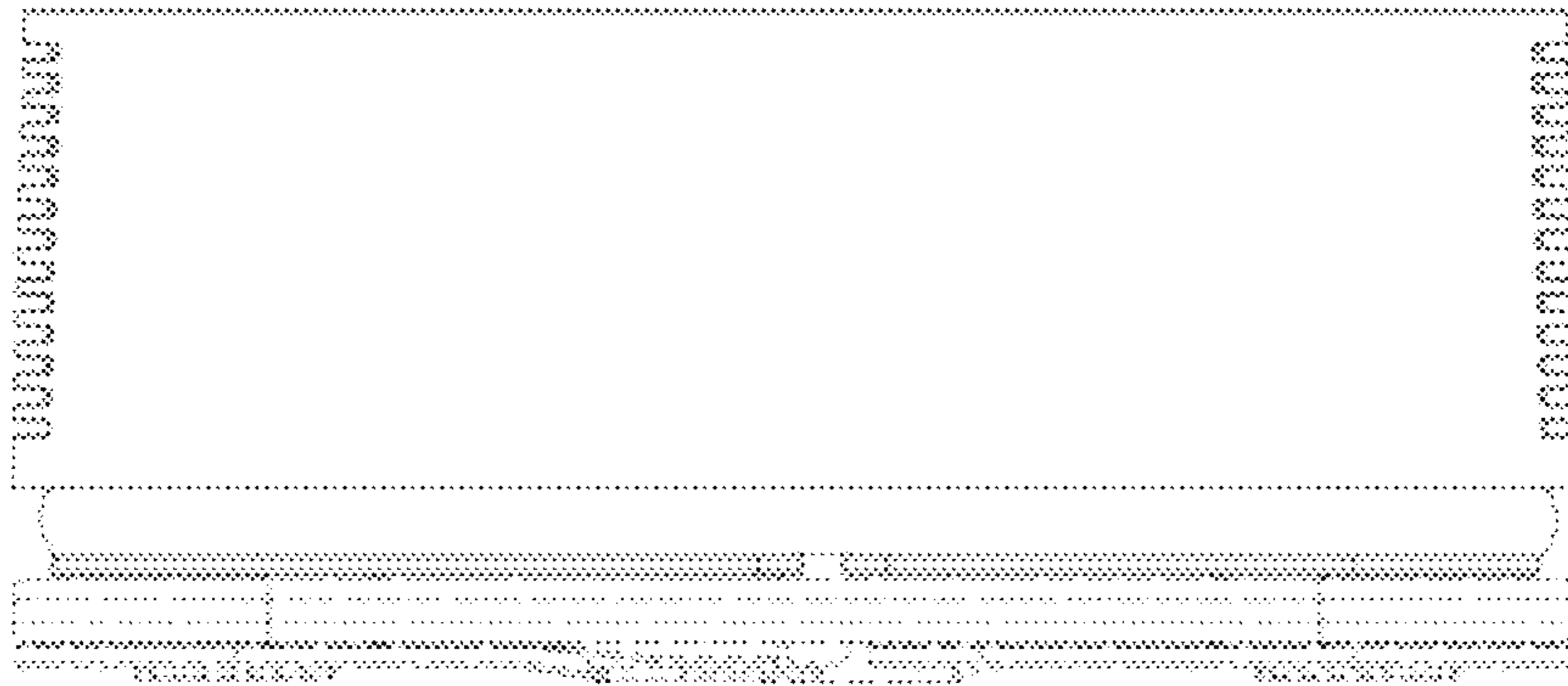
2.1



2.2



2.3



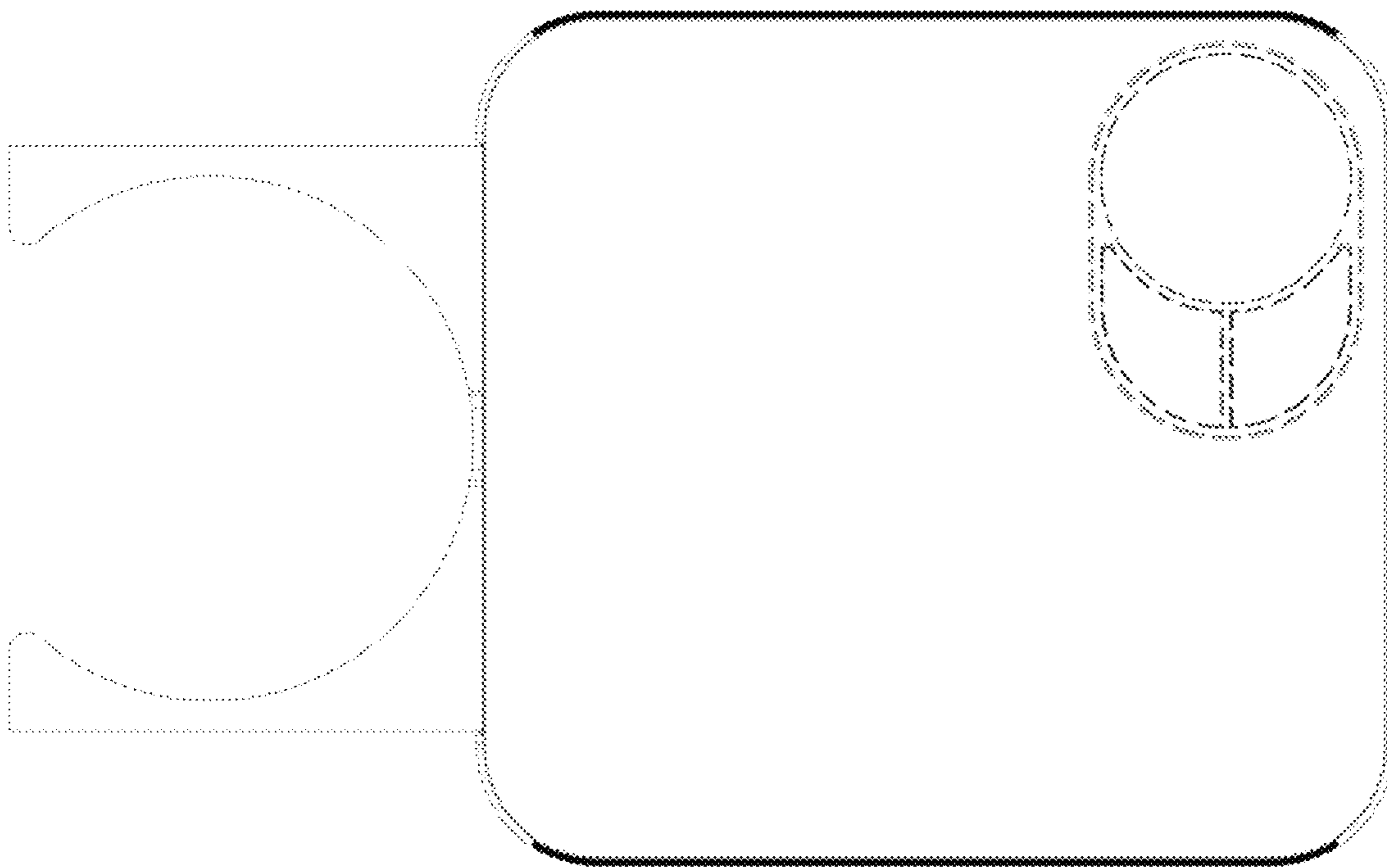
2.4



2.5



2.6



2.7

