

US00D832891S

(12) **United States Design Patent** (10) **Patent No.:** **US D832,891 S**
Chu (45) **Date of Patent:** **** Nov. 6, 2018**

(54) **AIR COMPRESSOR**
(71) Applicant: **VIAIR CORPORATION**, Irvine, CA (US)
(72) Inventor: **Sammy Chu**, Irvine, CA (US)
(73) Assignee: **VIAIR CORPORATION**, Irvine, CA (US)

D626,970 S * 11/2010 Moser D15/9
D627,370 S * 11/2010 Moser D15/9
D658,208 S * 4/2012 Moser, III D15/9
D668,685 S * 10/2012 Haener D15/9
D681,679 S * 5/2013 Osaka D15/7
D684,999 S * 6/2013 Osaka D15/7
D689,526 S * 9/2013 Tsai D15/9
D700,625 S * 3/2014 Iwagoshi D15/7
D701,887 S * 4/2014 Haener D15/7
D774,102 S * 12/2016 Ellman D15/9
D803,270 S * 11/2017 Chen D15/9

(**) Term: **15 Years**

* cited by examiner

(21) Appl. No.: **29/622,142**

Primary Examiner — Ralf Seifert

(22) Filed: **Oct. 13, 2017**

(74) *Attorney, Agent, or Firm* — Law Office of Katsuhiro Arai

(51) **LOC (11) Cl.** **15-02**

(57) **CLAIM**

(52) **U.S. Cl.**
USPC **D15/9**

The ornamental design for an air compressor, as shown and described.

(58) **Field of Classification Search**
USPC D15/7-9; D23/231, 232, 225; 417/60, 417/235, 265, 321, 355, 358, 363, 359, 417/410.1, 415-416, 405, 900, 269, 539, 417/234; 60/408, 412; 184/26-37; 415/140-147; 123/495, 509; 137/565.34
CPC F02M 37/04; F02M 37/14; F04B 53/92; F04B 1/005
See application file for complete search history.

DESCRIPTION

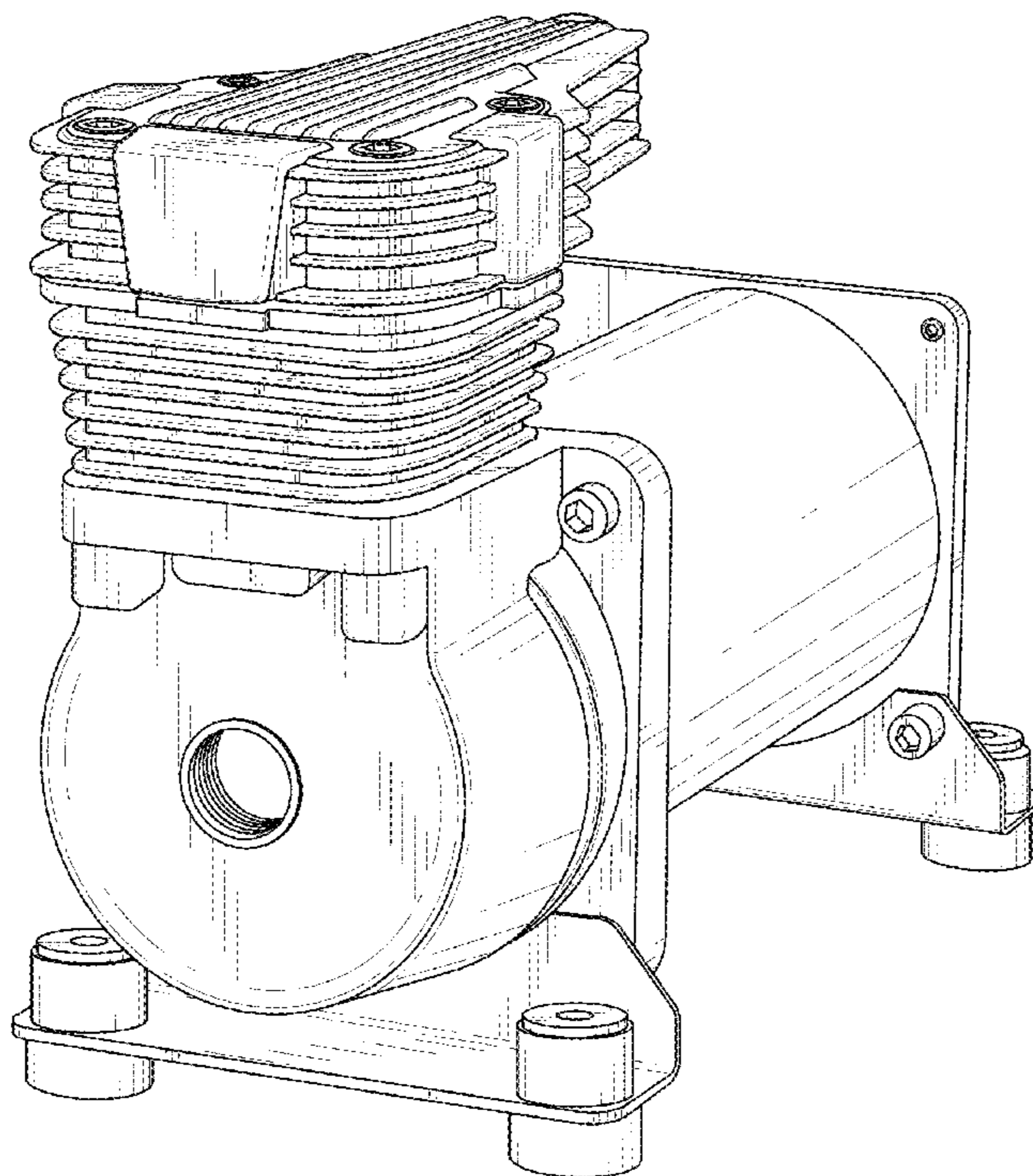
FIG. 1 is a front perspective view of the air compressor, showing my new design;
FIG. 2 is a rear perspective view thereof;
FIG. 3 is a front elevation thereof;
FIG. 4 is a rear elevation thereof;
FIG. 5 is a left side elevation thereof;
FIG. 6 is a right side elevation thereof;
FIG. 7 is a top plan view thereof; and,
FIG. 8 is a bottom plan view thereof.
The broken lines are included for the purpose of illustrating portions of the air compressor that form no part of the claimed design.

(56) **References Cited**

U.S. PATENT DOCUMENTS

D499,745 S * 12/2004 Hsiao D15/9
D601,591 S * 10/2009 Chu D15/9
D614,673 S * 4/2010 Chen D15/9

1 Claim, 7 Drawing Sheets



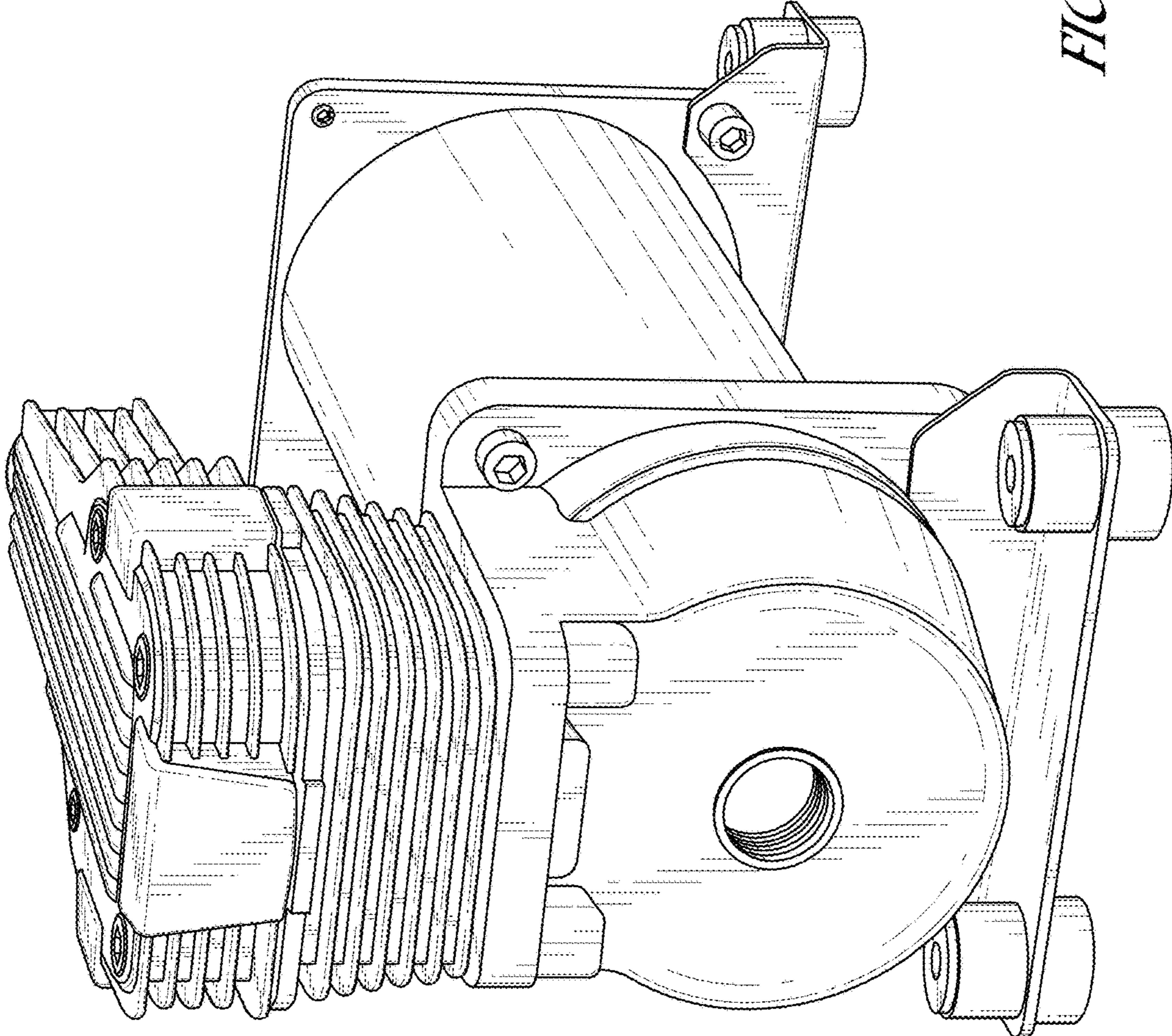


FIG. 1

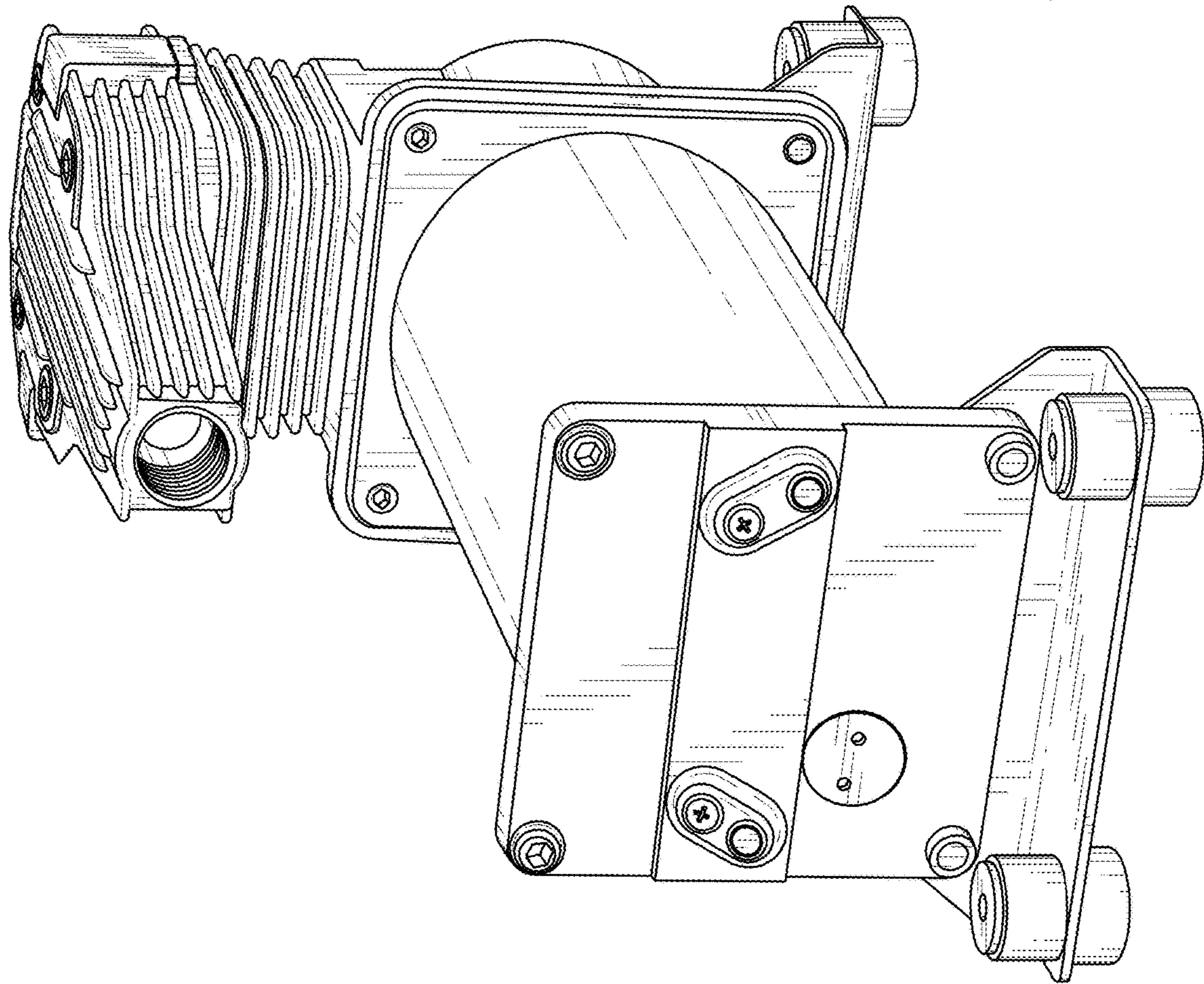


FIG. 2

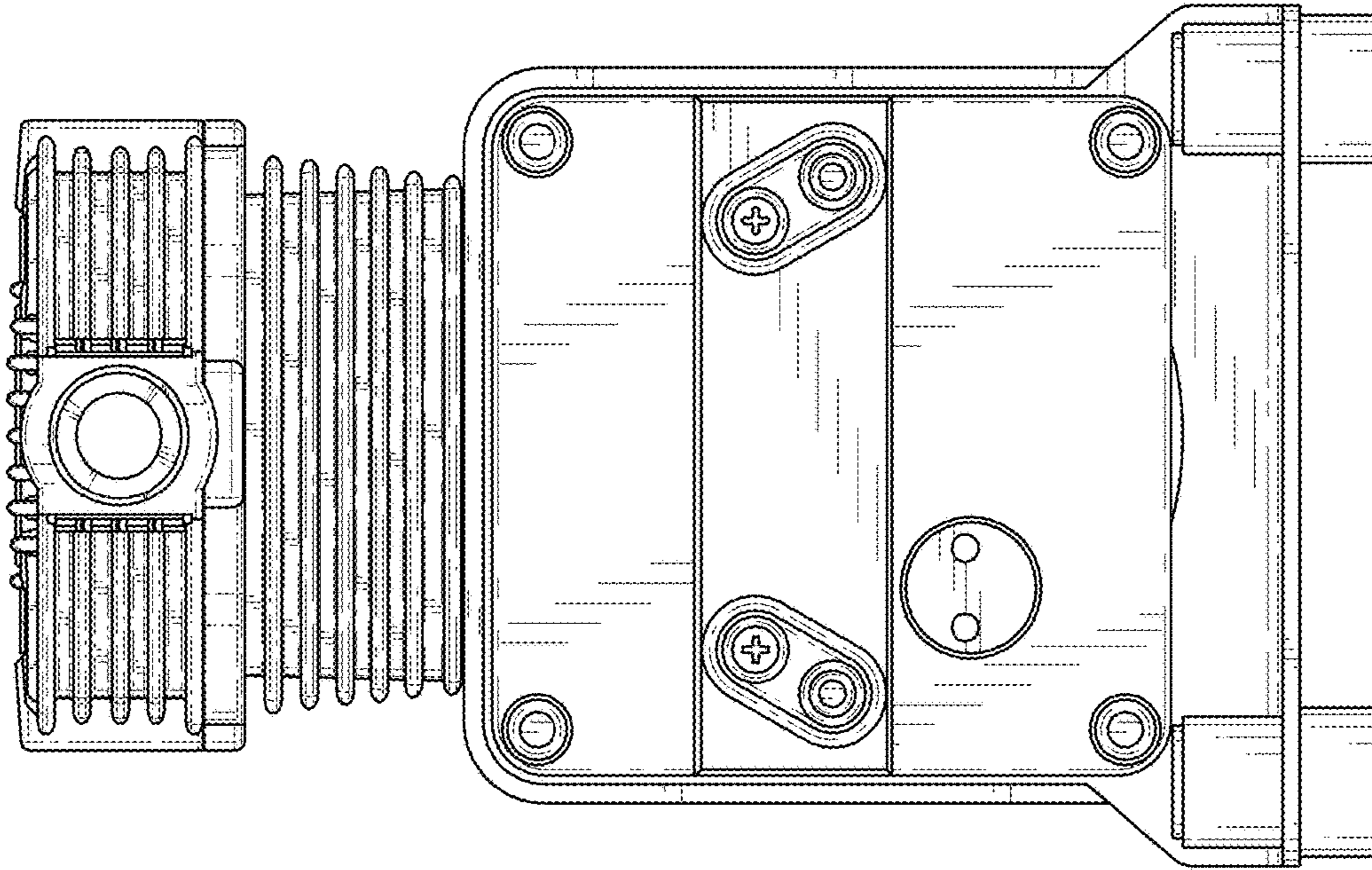


FIG. 4

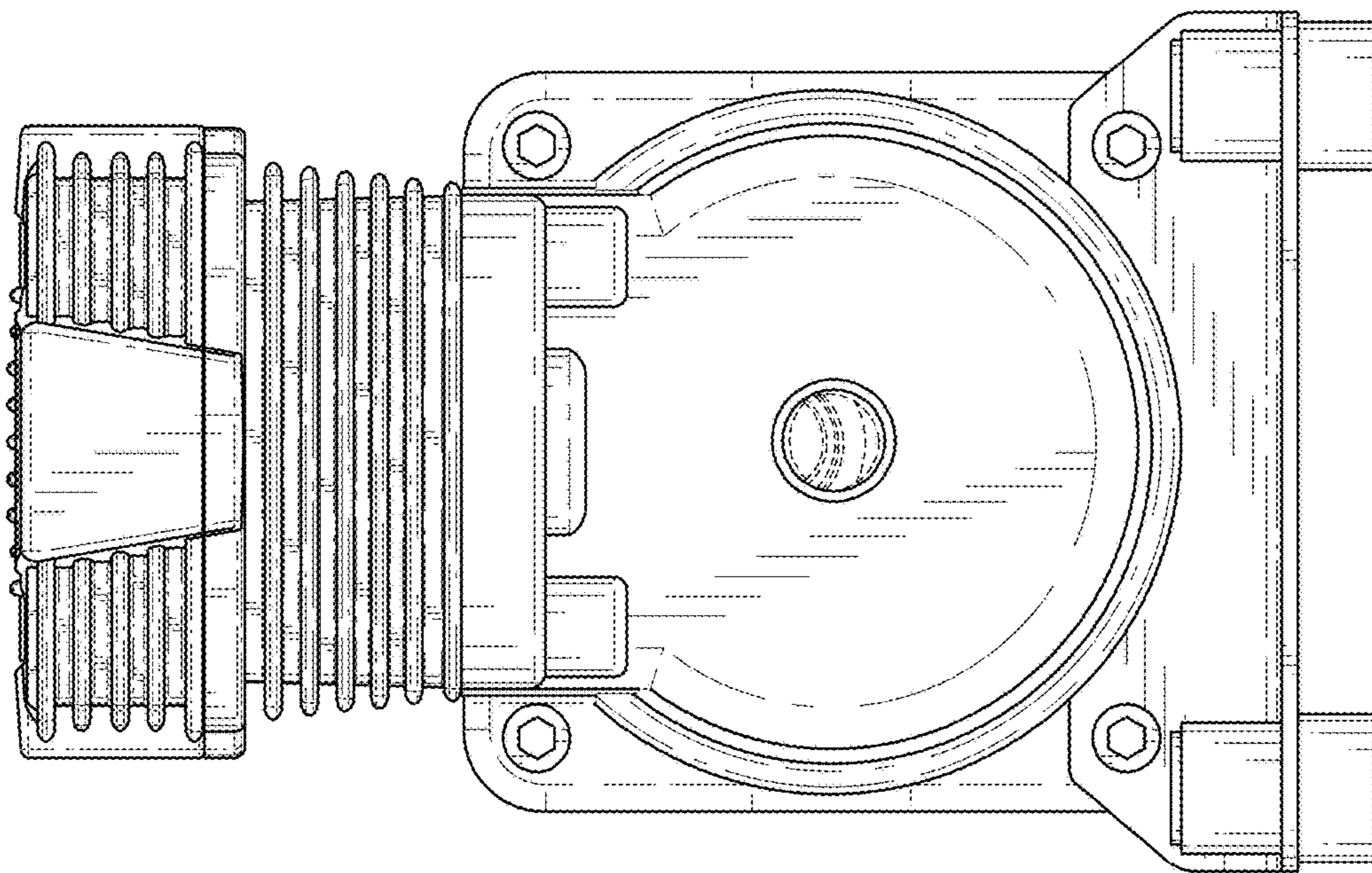


FIG. 3

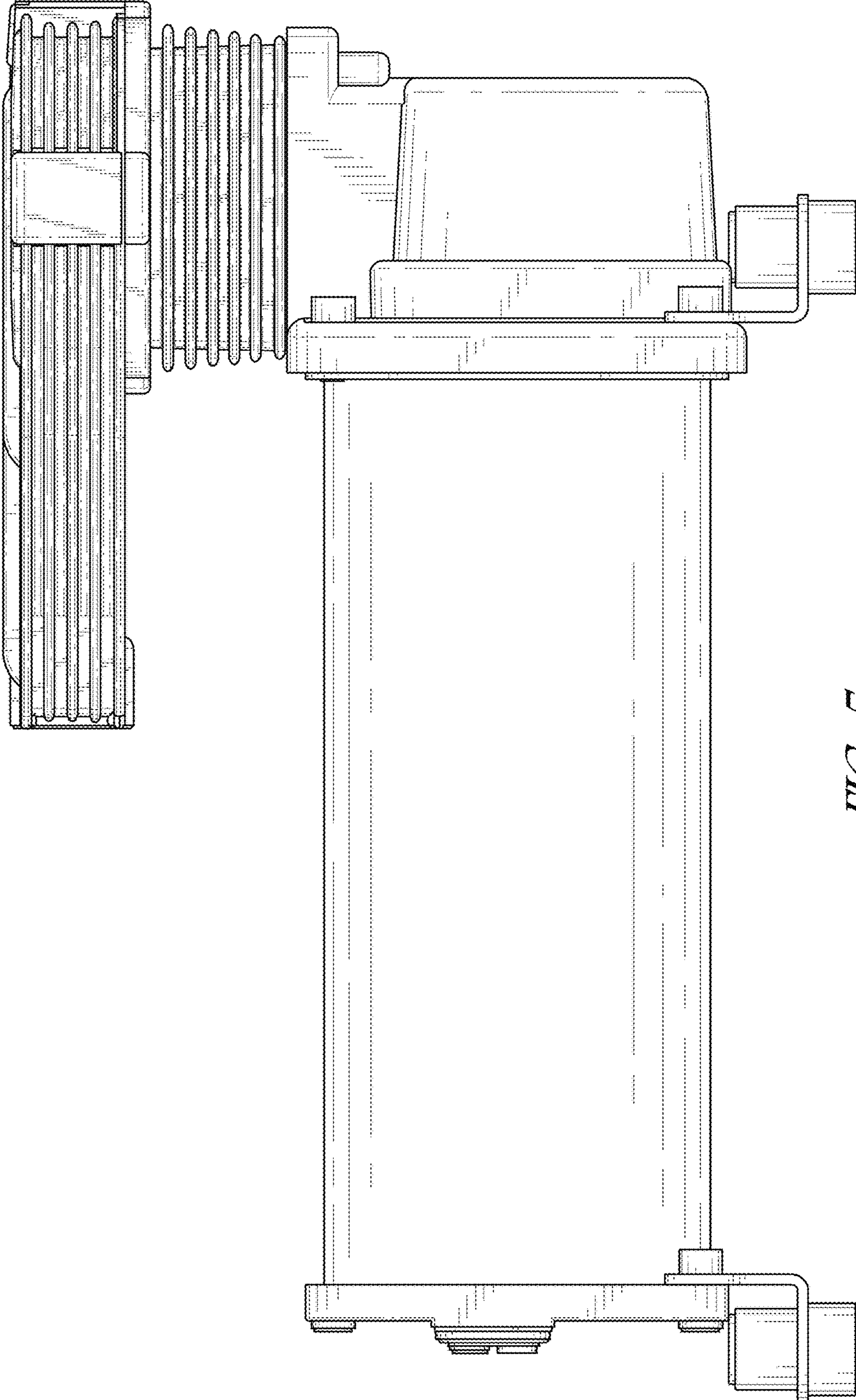


FIG. 5

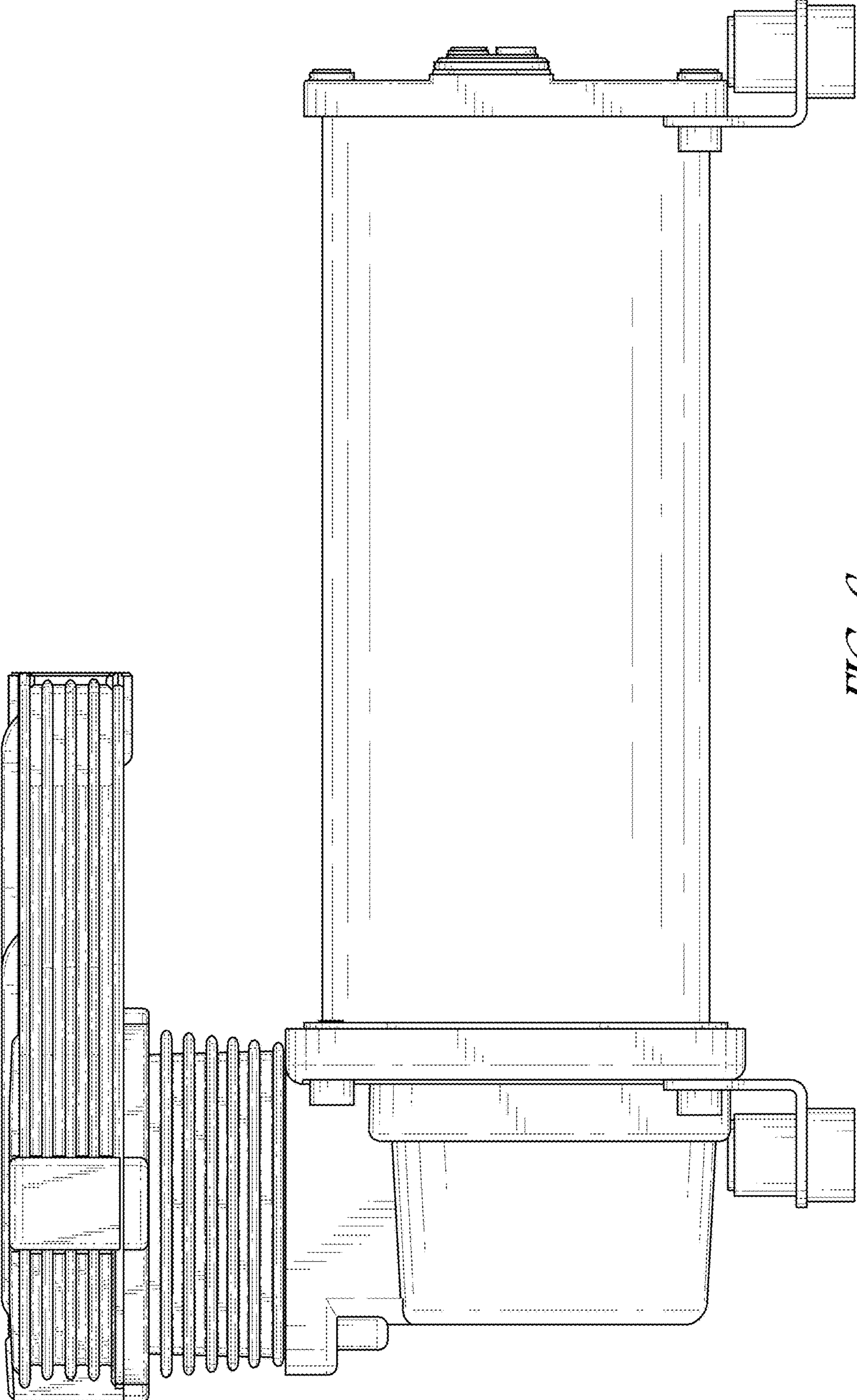


FIG. 6

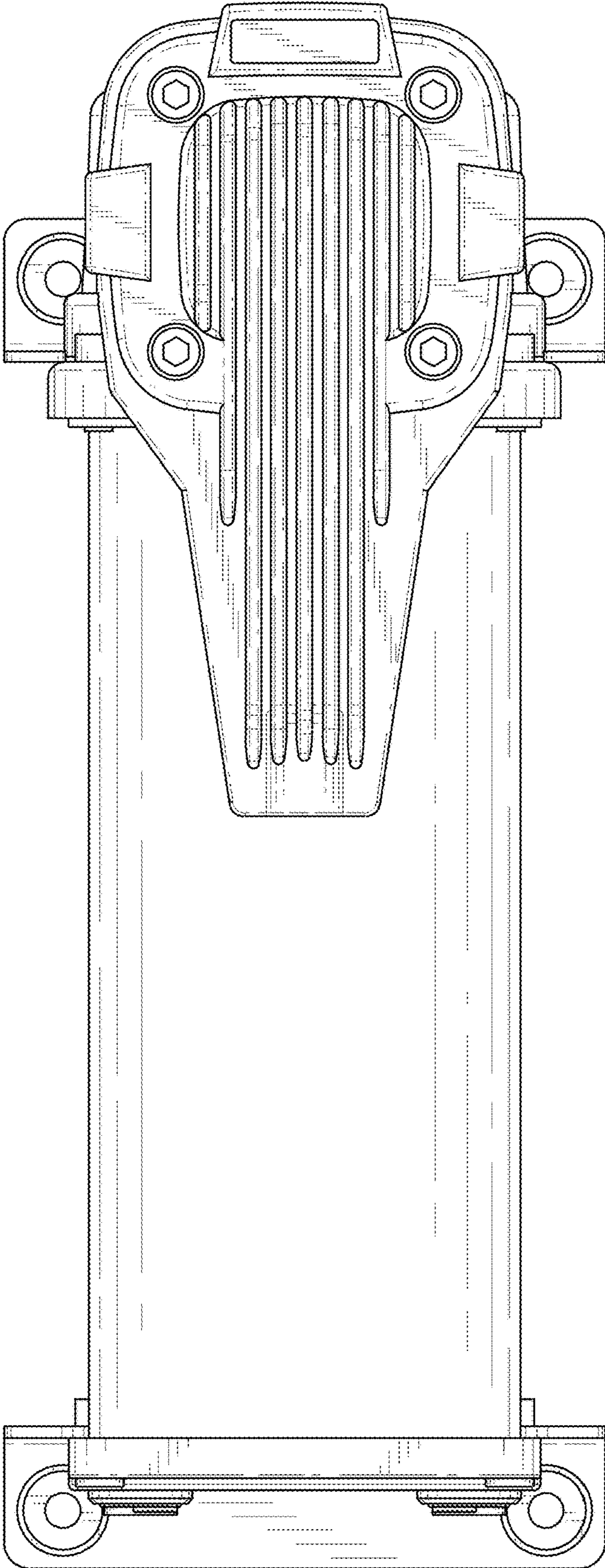


FIG. 7

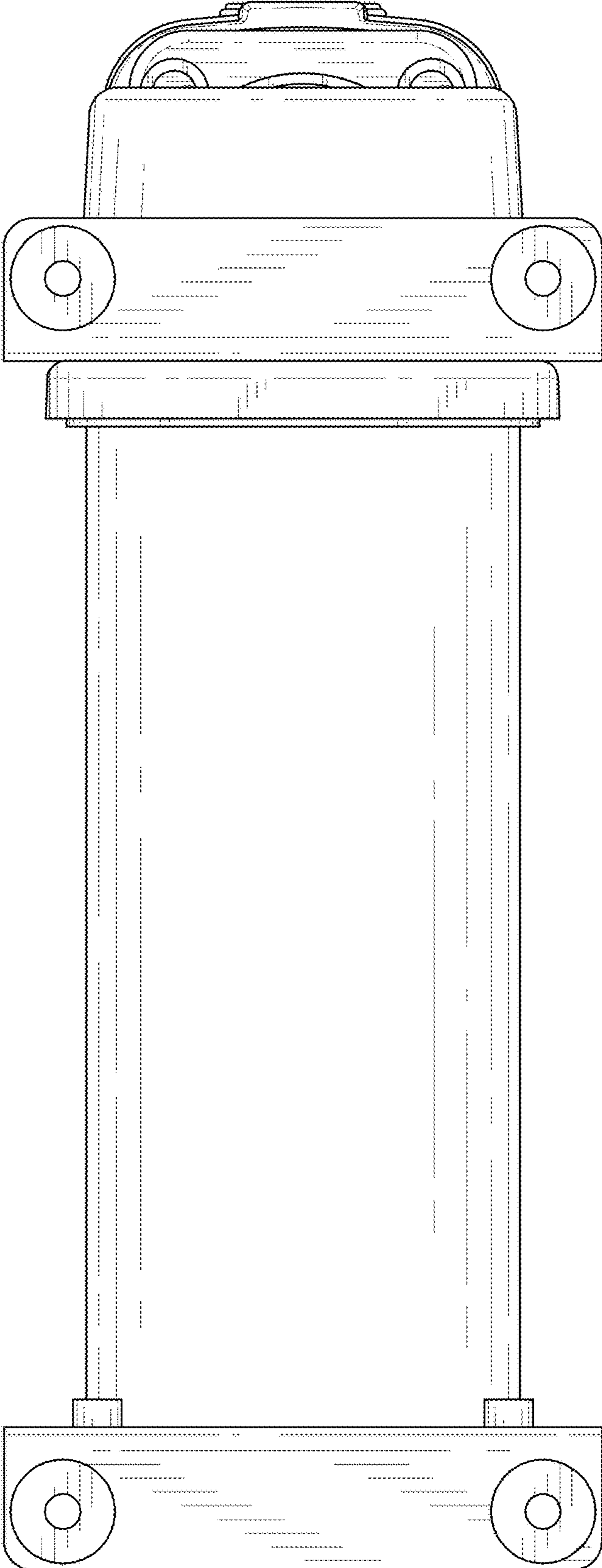


FIG. 8