



US00D832890S

(12) **United States Design Patent**
Franks

(10) **Patent No.:** **US D832,890 S**
(45) **Date of Patent:** **** Nov. 6, 2018**

- (54) **FLUID PUMP APPARATUS**
- (71) Applicant: **BMF TECHNOLOGIES, LLC**, Derry, NH (US)
- (72) Inventor: **Barry Franks**, Londonderry, NH (US)
- (73) Assignee: **BMF TECHNOLOGIES, LLC**, Derry, NH (US)
- (**) Term: **15 Years**
- (21) Appl. No.: **29/630,336**
- (22) Filed: **Dec. 20, 2017**

- D336,127 S * 6/1993 Slaybaugh D23/225
- 5,335,853 A * 8/1994 Wirz B05B 9/0877
239/142
- D394,067 S * 5/1998 Kon D15/7
- D570,447 S * 6/2008 Hillhouse D23/202
- D578,182 S * 10/2008 Moran D23/225
- 7,731,105 B2 * 6/2010 Lishanski F04B 17/06
239/289
- D672,847 S * 12/2012 Woodling D23/202
- 8,616,466 B2 * 12/2013 Strauss A01M 7/0046
222/175
- 8,672,364 B2 3/2014 Schrum et al. 285/33
- D713,502 S * 9/2014 Nicolia D23/225
- 8,985,482 B1 3/2015 Schrum et al. 239/333
- D741,372 S * 10/2015 Smith, Sr. D15/7
- D766,988 S * 9/2016 Crowsley D15/7
- D771,718 S * 11/2016 Liao D15/7

(Continued)

Related U.S. Application Data

- (63) Continuation of application No. 15/591,981, filed on May 10, 2017.
- (51) **LOC (11) Cl.** **15-02**
- (52) **U.S. Cl.**
USPC **D15/7**
- (58) **Field of Classification Search**
USPC D15/7-9; D23/231, 232, 225; 417/60, 417/235, 265, 321, 355, 358, 363, 359, 417/410.1, 415-416, 405, 900, 269, 539; 60/408, 412; 184/26-37; 415/140-147; 123/495, 509; 137/565.34; 239/328, 239/332, 333; 222/383.1
CPC F02M 37/04; F02M 37/14; F04B 53/92; F04B 1/005; F04D 13/06; F04D 29/22; F04D 29/046; F04D 29/2266; B05B 9/085
See application file for complete search history.

Primary Examiner — Ralf Seifert

(74) *Attorney, Agent, or Firm* — Hayes Soloway P.C.

(57) **CLAIM**

I claim the ornamental design for a fluid pump apparatus, as shown and described.

DESCRIPTION

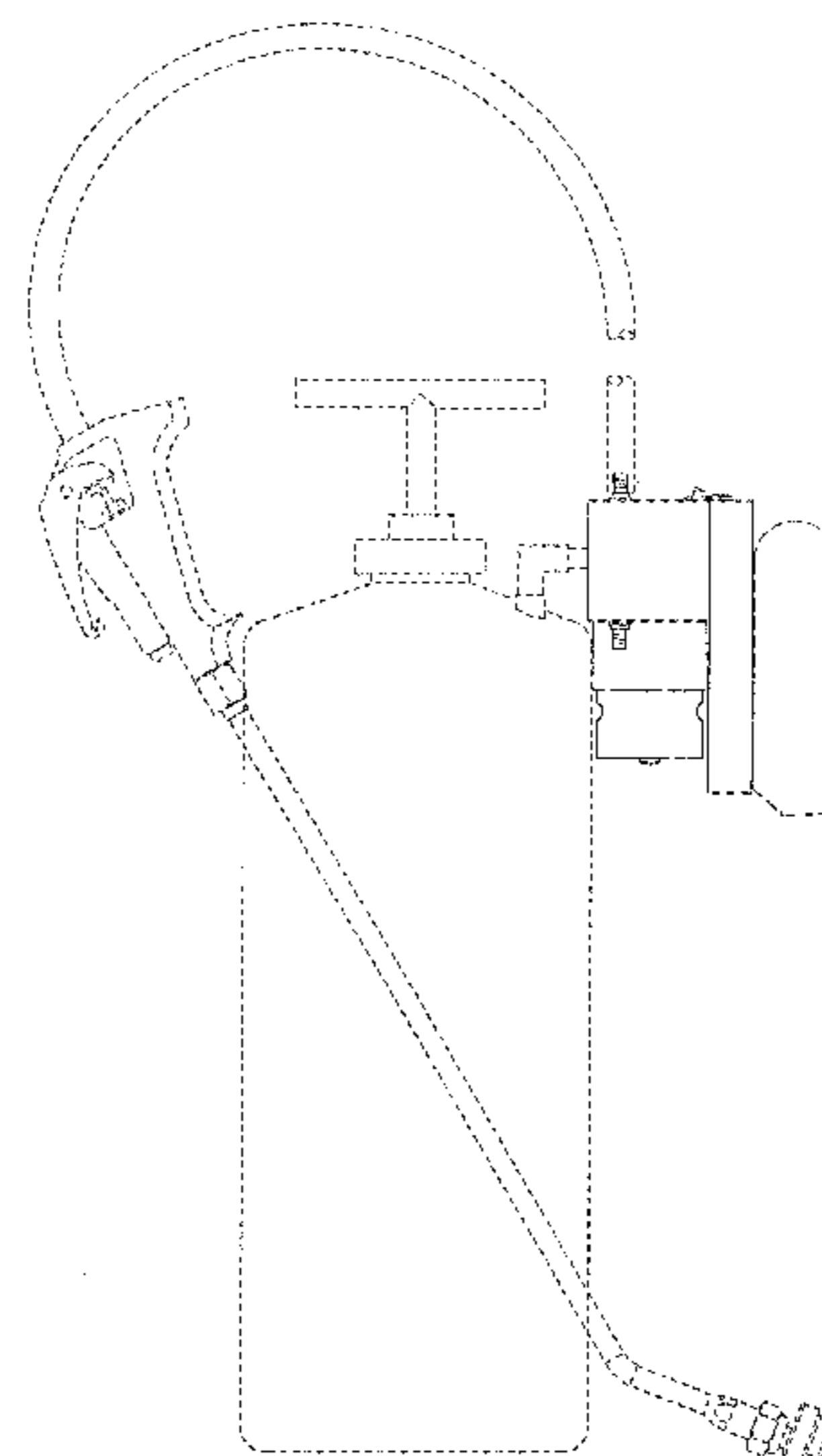
FIG. 1 is rear view of a fluid pump apparatus showing my new design;
 FIG. 2 is a front view thereof;
 FIG. 3 is a top view thereof;
 FIG. 4 is a bottom view thereof;
 FIG. 5 is a first side view thereof;
 FIG. 6 is a second side view thereof;
 FIG. 7 is an upper perspective view thereof;
 FIG. 8 is a side view thereof on a reduced scale and in use with a fluid tank, hose, and spray nozzle; and,
 FIG. 9 is a side view thereof on a reduced scale and in use with a hose and spray nozzle.
 Portions of the drawings shown in broken lines form no part of the claimed design.

1 Claim, 9 Drawing Sheets

(56) **References Cited**

U.S. PATENT DOCUMENTS

- 4,768,714 A * 9/1988 Luchsinger A01M 7/0017
239/142
- 4,798,333 A * 1/1989 Luchsinger A01M 7/0017
239/142



(56)

References Cited

U.S. PATENT DOCUMENTS

D780,291 S	2/2017	Schrum et al.	D23/225
D784,414 S	4/2017	Schrum et al.	D15/7
D787,325 S *	5/2017	Young	D15/7
D809,625 S *	2/2018	Bonaventura	D23/225
2011/0057436 A1	3/2011	Schrum et al.	285/33
2015/0258558 A1	9/2015	Schrum et al.	B05B 7/2491
2017/0106385 A1	4/2017	Schrum et al.	B05B 9/043

* cited by examiner

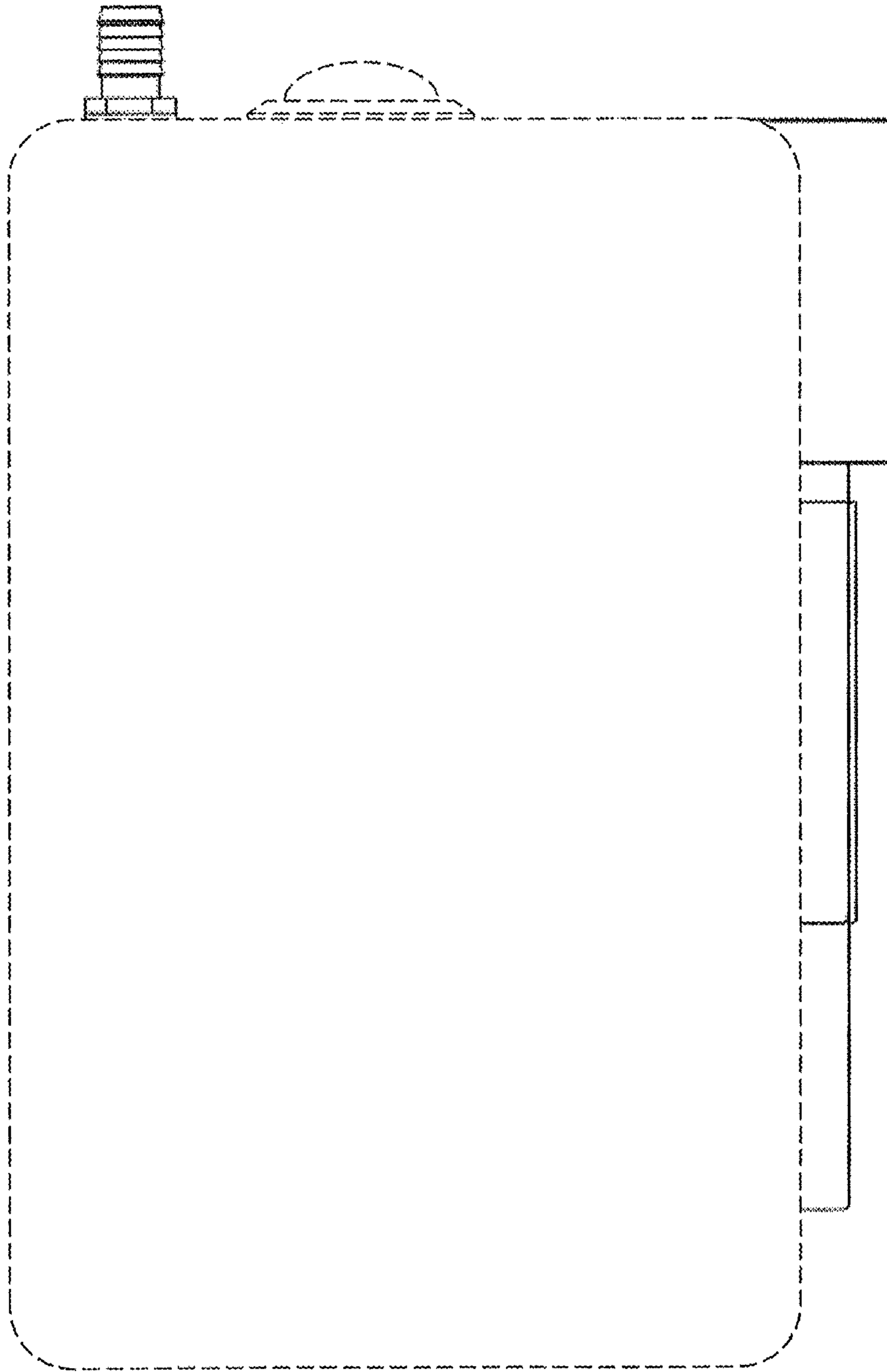


Fig. 1

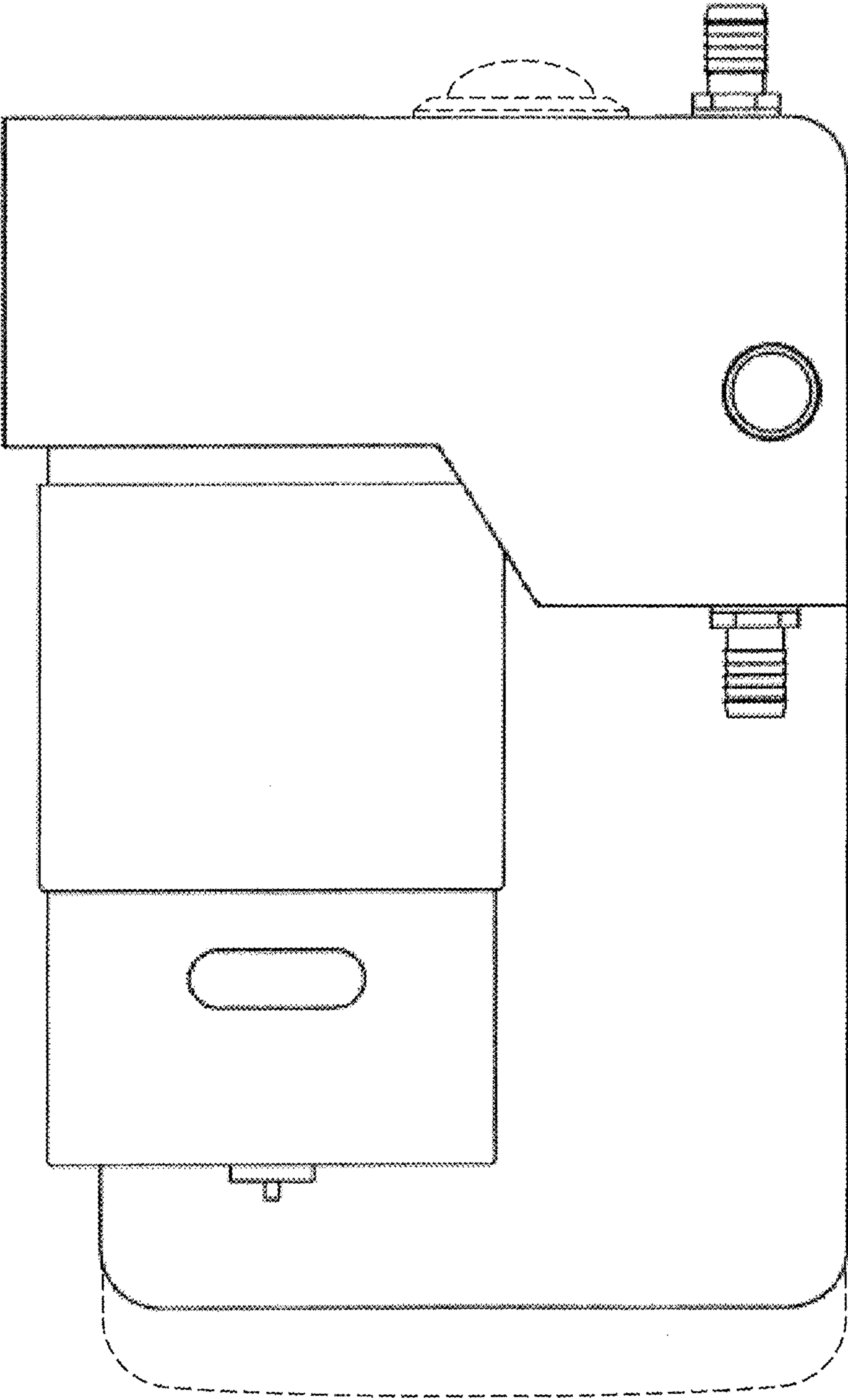


Fig. 2

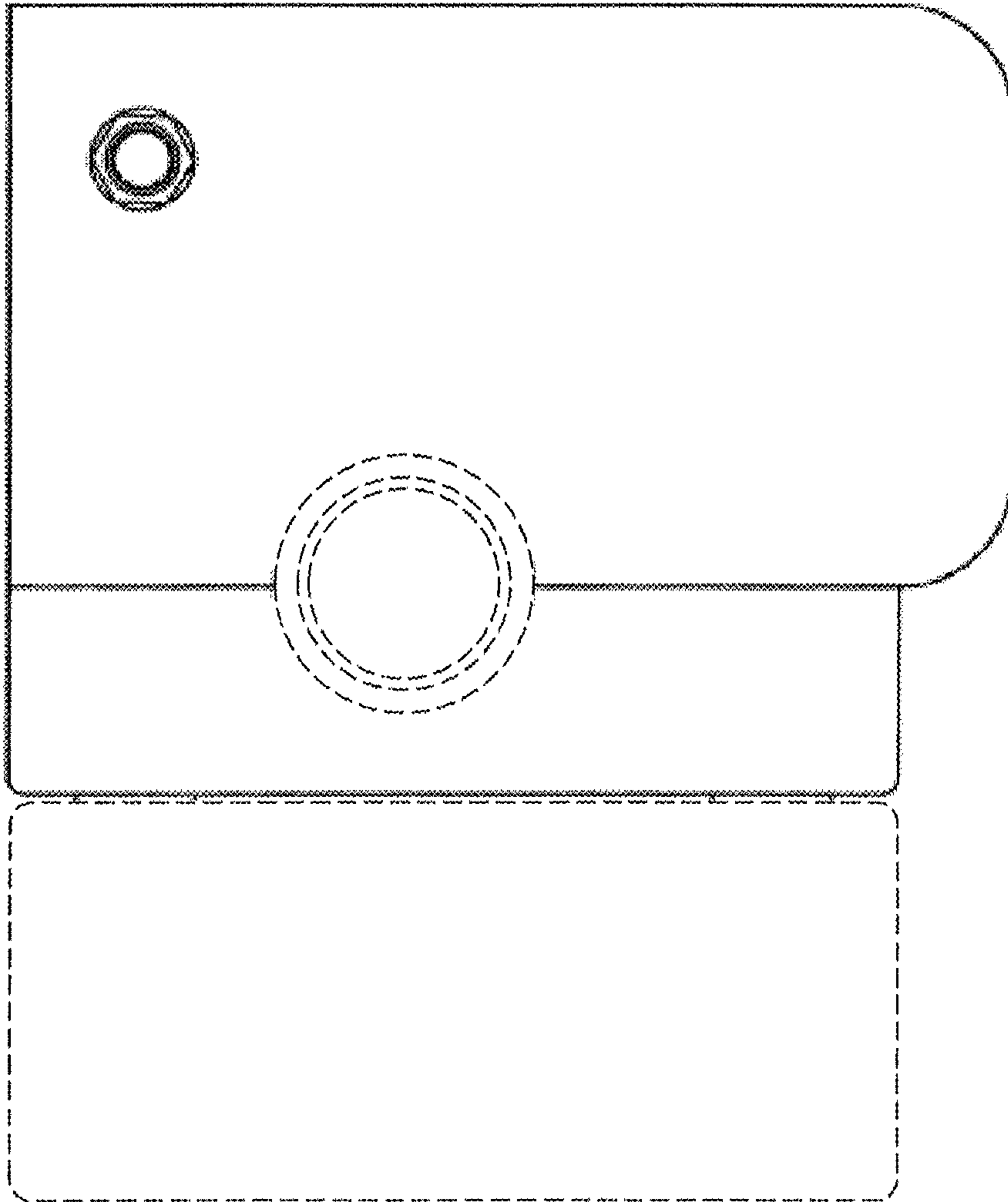


Fig. 3

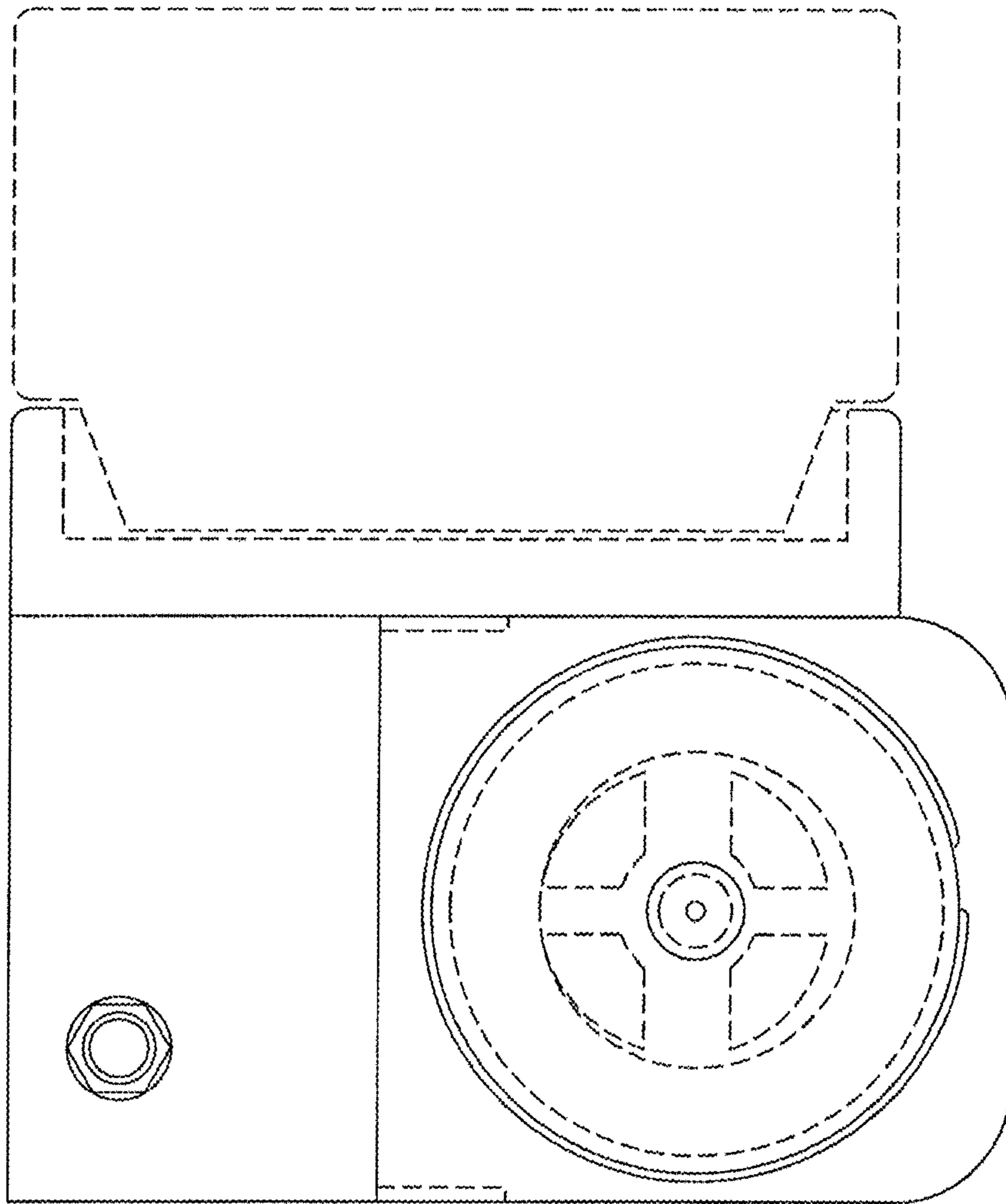


Fig. 4

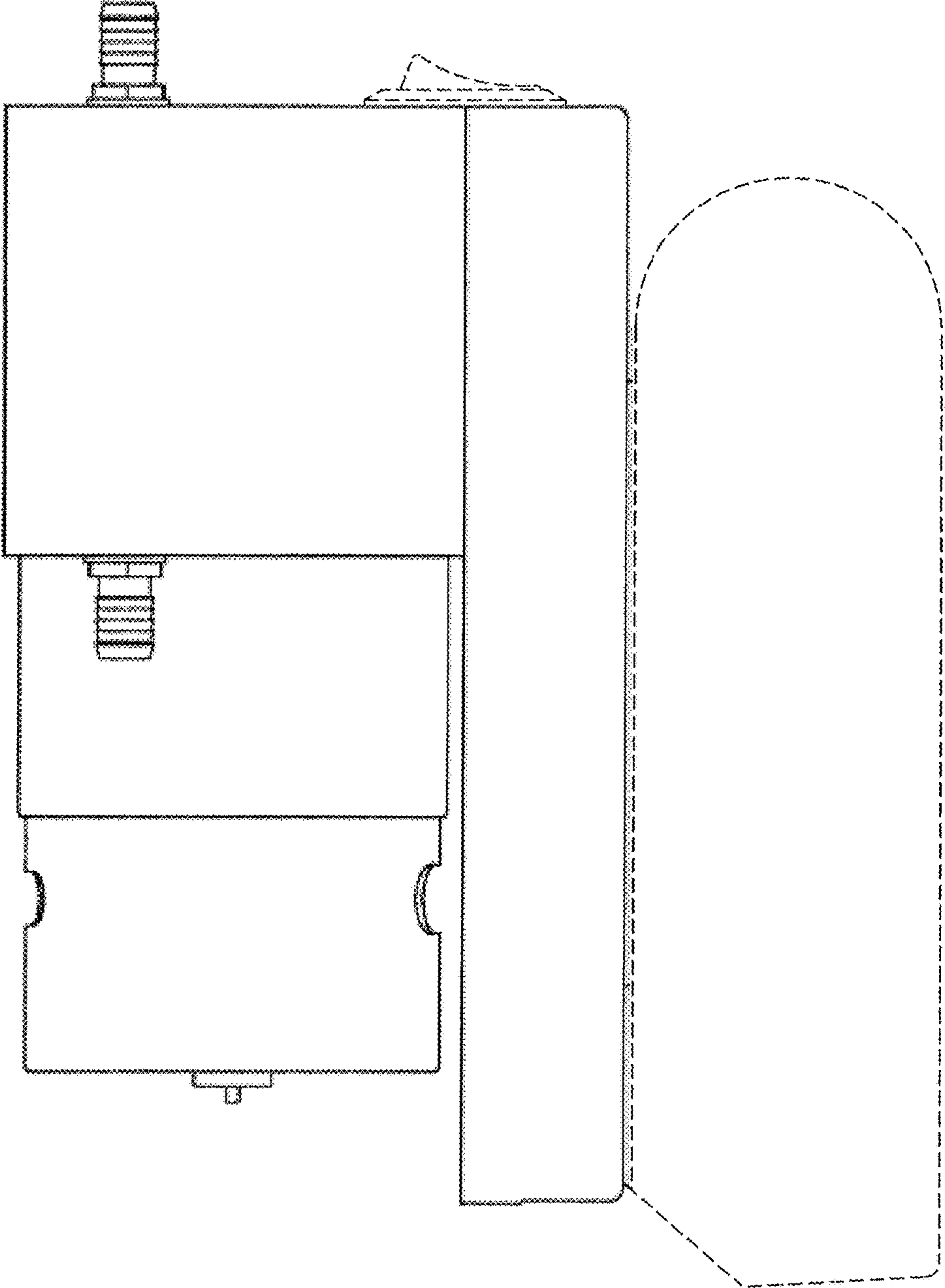


Fig. 5

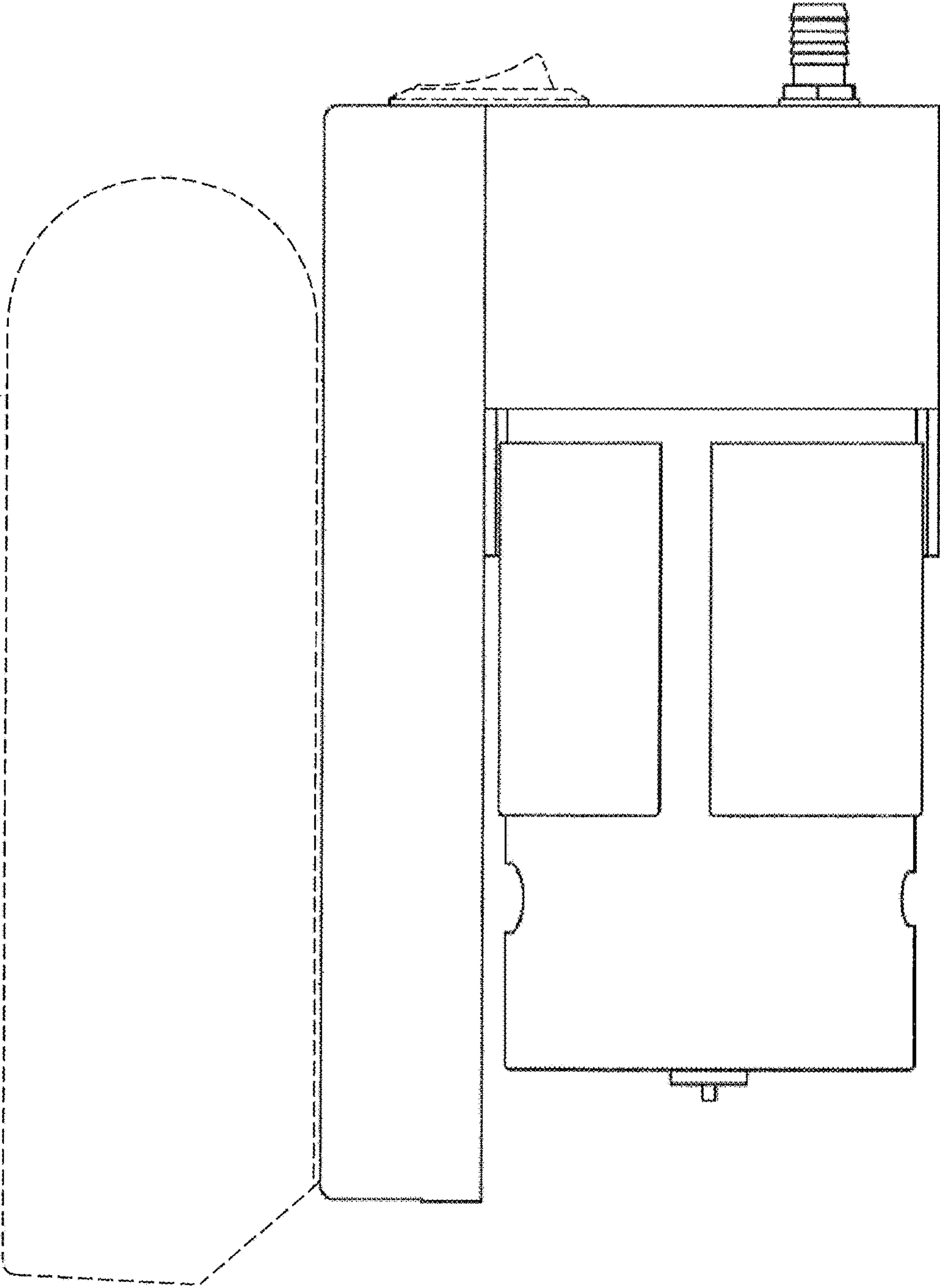


Fig. 6

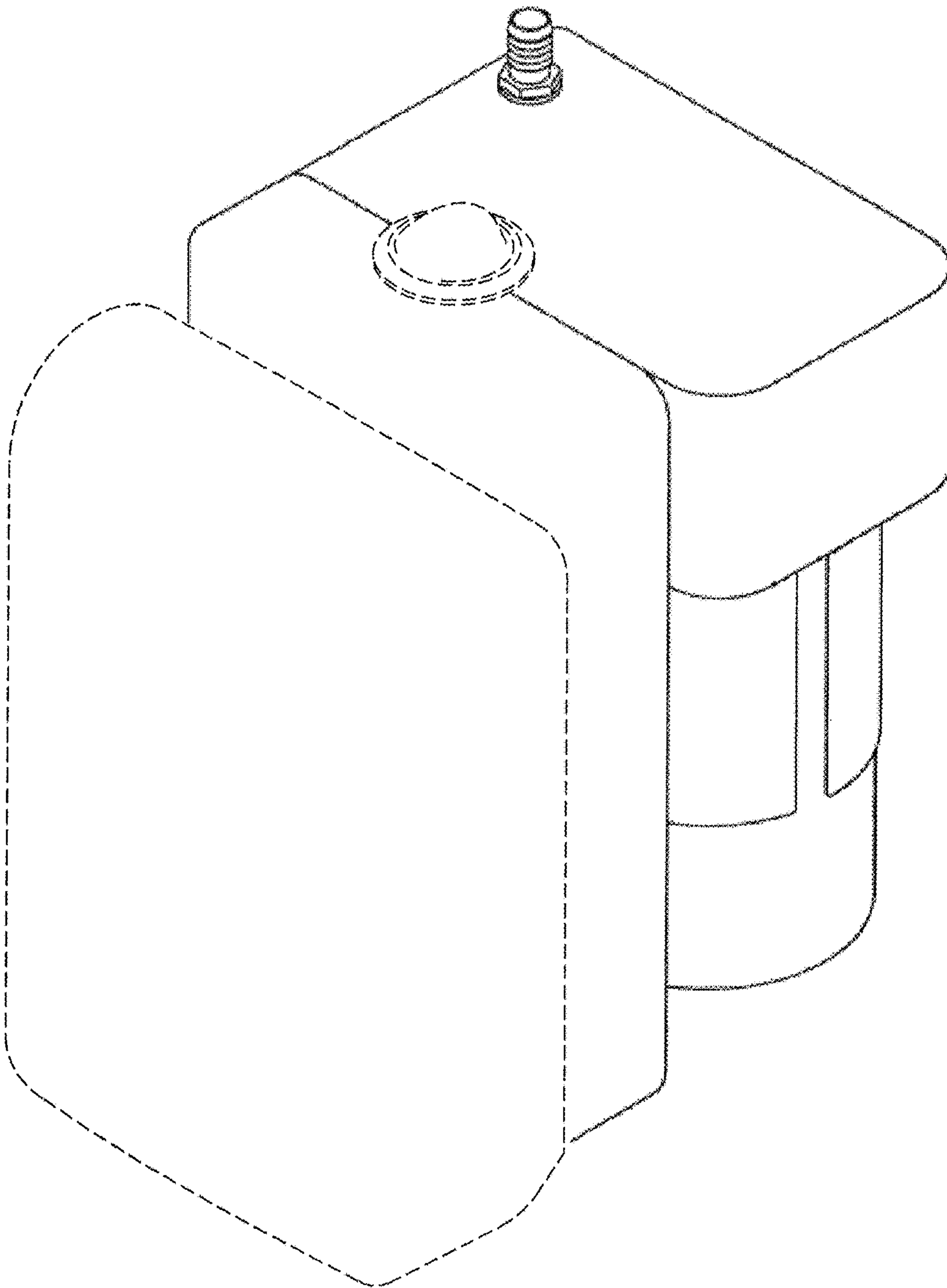


Fig. 7

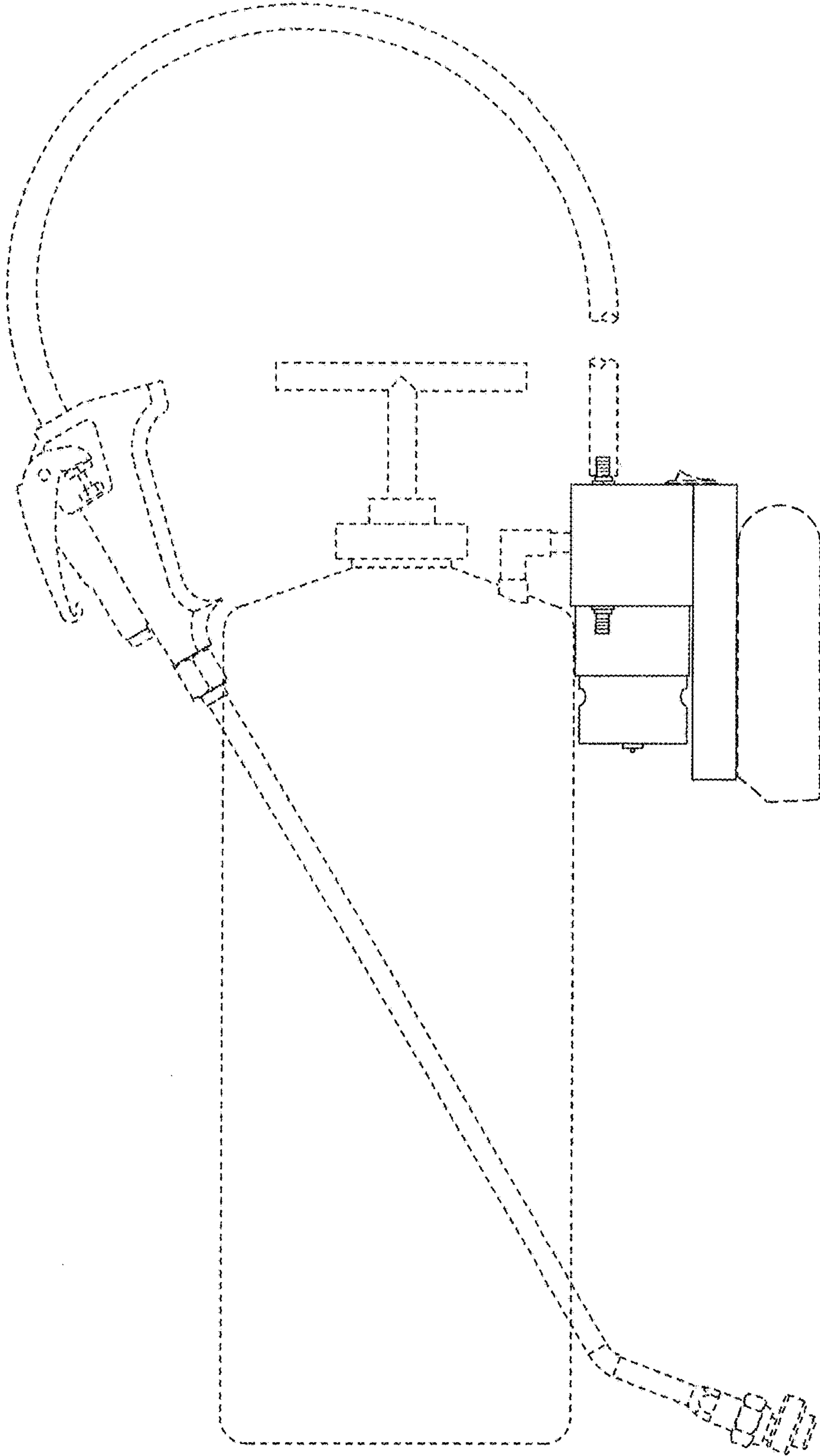


Fig. 8

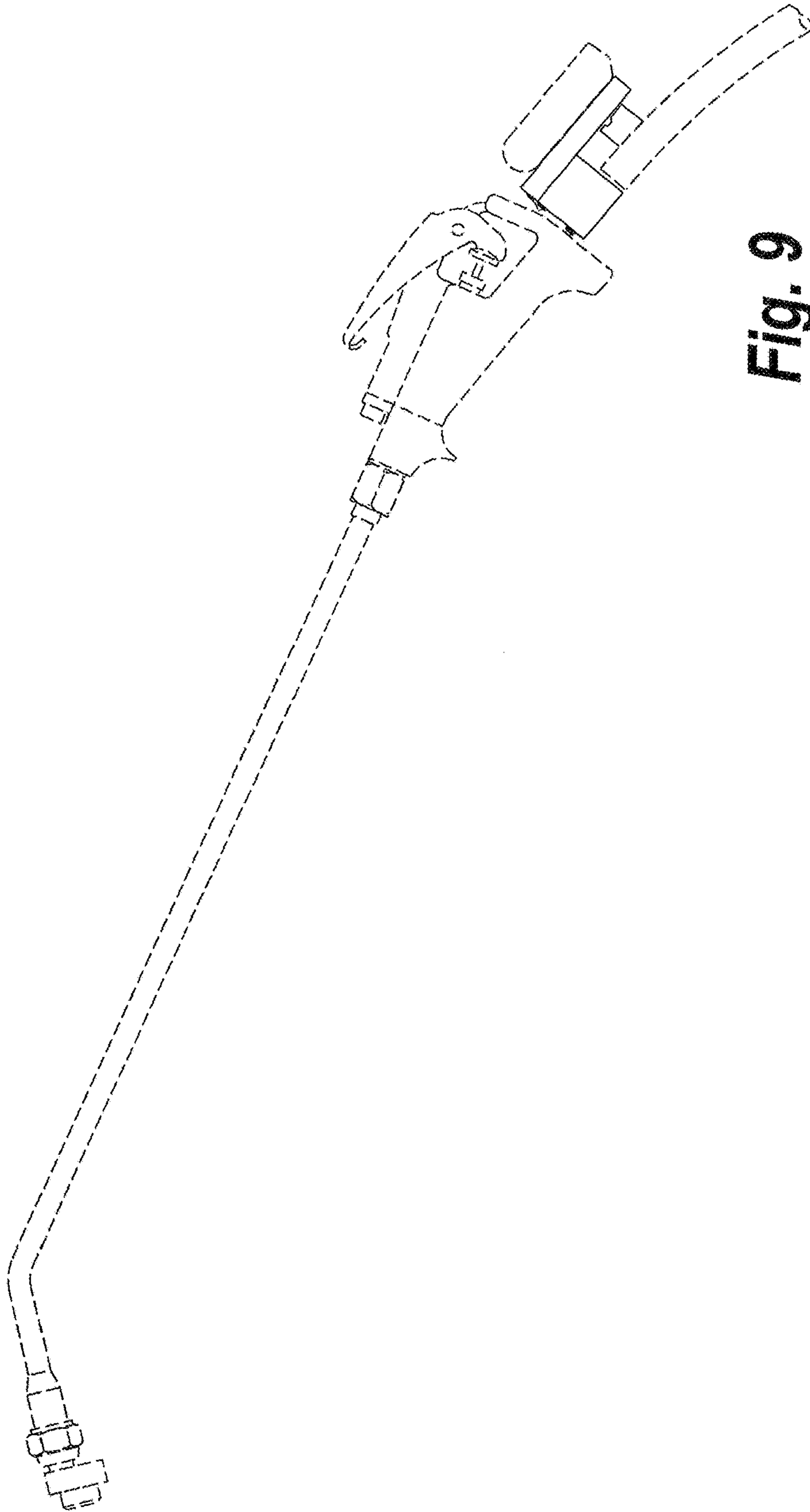


Fig. 9