



US00D832889S

(12) **United States Design Patent**
Zheng

(10) **Patent No.:** **US D832,889 S**

(45) **Date of Patent:** **** Nov. 6, 2018**

(54) **VEHICULAR INFLATOR PUMP**

(71) Applicant: **Da Zheng**, Zhejiang (CN)

(72) Inventor: **Da Zheng**, Zhejiang (CN)

(**) Term: **15 Years**

(21) Appl. No.: **29/621,704**

(22) Filed: **Oct. 10, 2017**

(51) **LOC (11) Cl.** **15-02**

(52) **U.S. Cl.**
USPC **D15/7**

(58) **Field of Classification Search**
USPC D15/7-9; D23/231, 232, 225; 417/60,
417/235, 265, 321, 355, 358, 363, 359,
417/410.1, 415-416, 405, 900, 269, 539;
60/408, 412; 184/26-37; 415/140-147;
123/495, 509; 137/565.34
CPC F02M 37/04; F02M 37/14; F04B 53/92;
F04B 1/005; F04D 13/06; F04D 29/22;
F04D 29/046; F04D 29/2266
See application file for complete search history.

(56) **References Cited**

U.S. PATENT DOCUMENTS

D471,209 S	*	3/2003	Wang	D15/9
D582,945 S	*	12/2008	Chou	D15/9
D670,313 S	*	11/2012	Ohm	D15/7
D672,367 S	*	12/2012	Stansbury	D15/7

D672,368 S	*	12/2012	Wong	D15/9
D678,351 S	*	3/2013	Wong	D15/9
D695,319 S	*	12/2013	Ohm	D15/9
D700,915 S	*	3/2014	Damhuis	D15/7
D723,588 S	*	3/2015	Wang	D15/9
D727,972 S	*	4/2015	Jhou	D15/9
D734,367 S	*	7/2015	Jhou	D15/9
D737,864 S	*	9/2015	Jhou	D15/9
D751,121 S	*	3/2016	Spindler	D15/9
D778,959 S	*	2/2017	Marini	D15/7
D800,788 S	*	10/2017	Petersen	D15/7
D823,346 S	*	7/2018	Petersen	D15/7

* cited by examiner

Primary Examiner — Ralf Seifert

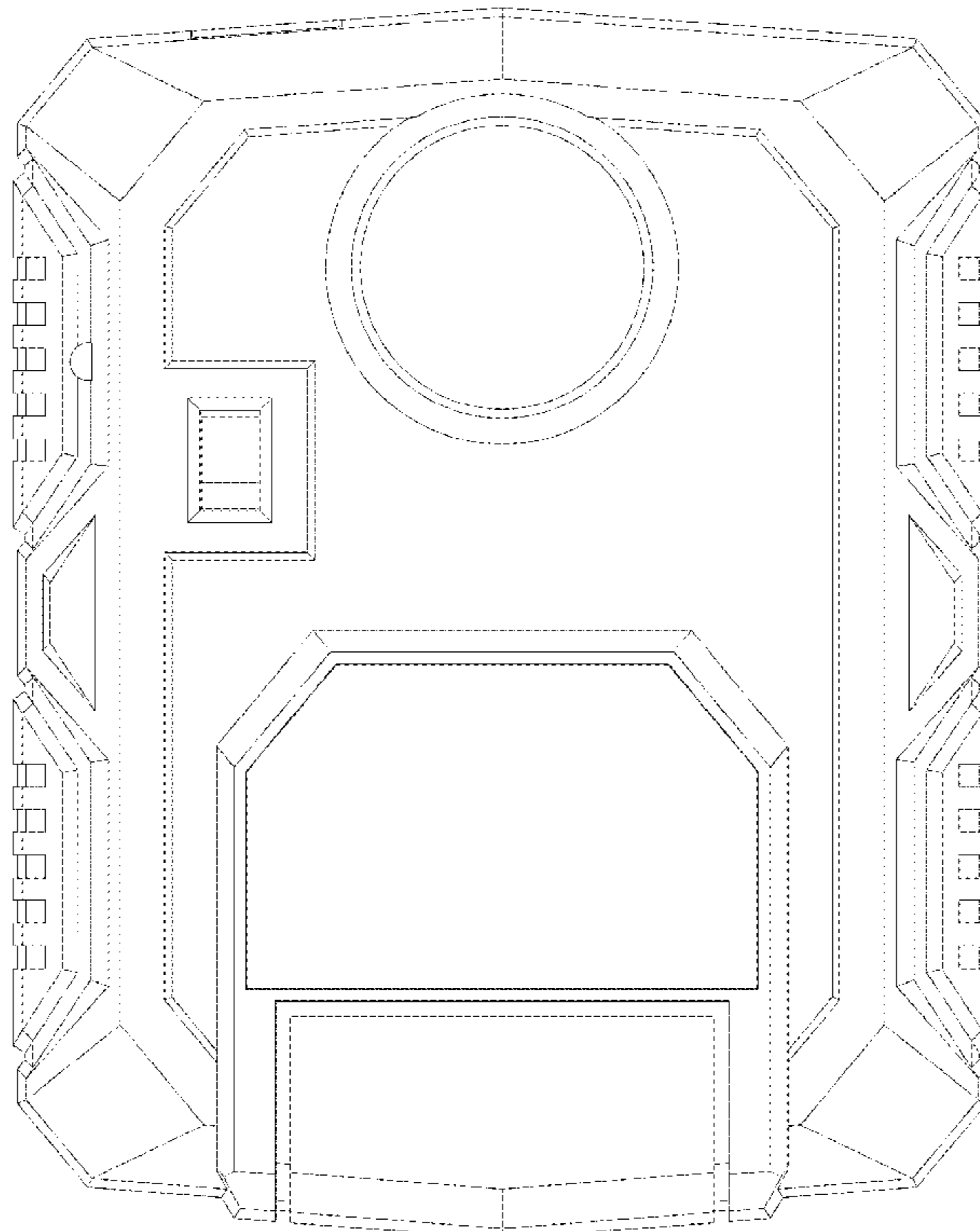
(57) **CLAIM**

The ornamental design for a vehicular inflator pump, as shown.

DESCRIPTION

FIG. 1 is a front elevational view of a vehicular inflator pump showing my new design;
FIG. 2 is a rear elevational view thereof;
FIG. 3 is a left side view thereof;
FIG. 4 is a right side view thereof;
FIG. 5 is a top plan view thereof;
FIG. 6 is a bottom plan view thereof;
FIG. 7 is a perspective view thereof;
FIG. 8 is a second perspective view thereof;
FIG. 9 is a third perspective view thereof; and,
FIG. 10 is a fourth perspective view thereof.

1 Claim, 9 Drawing Sheets



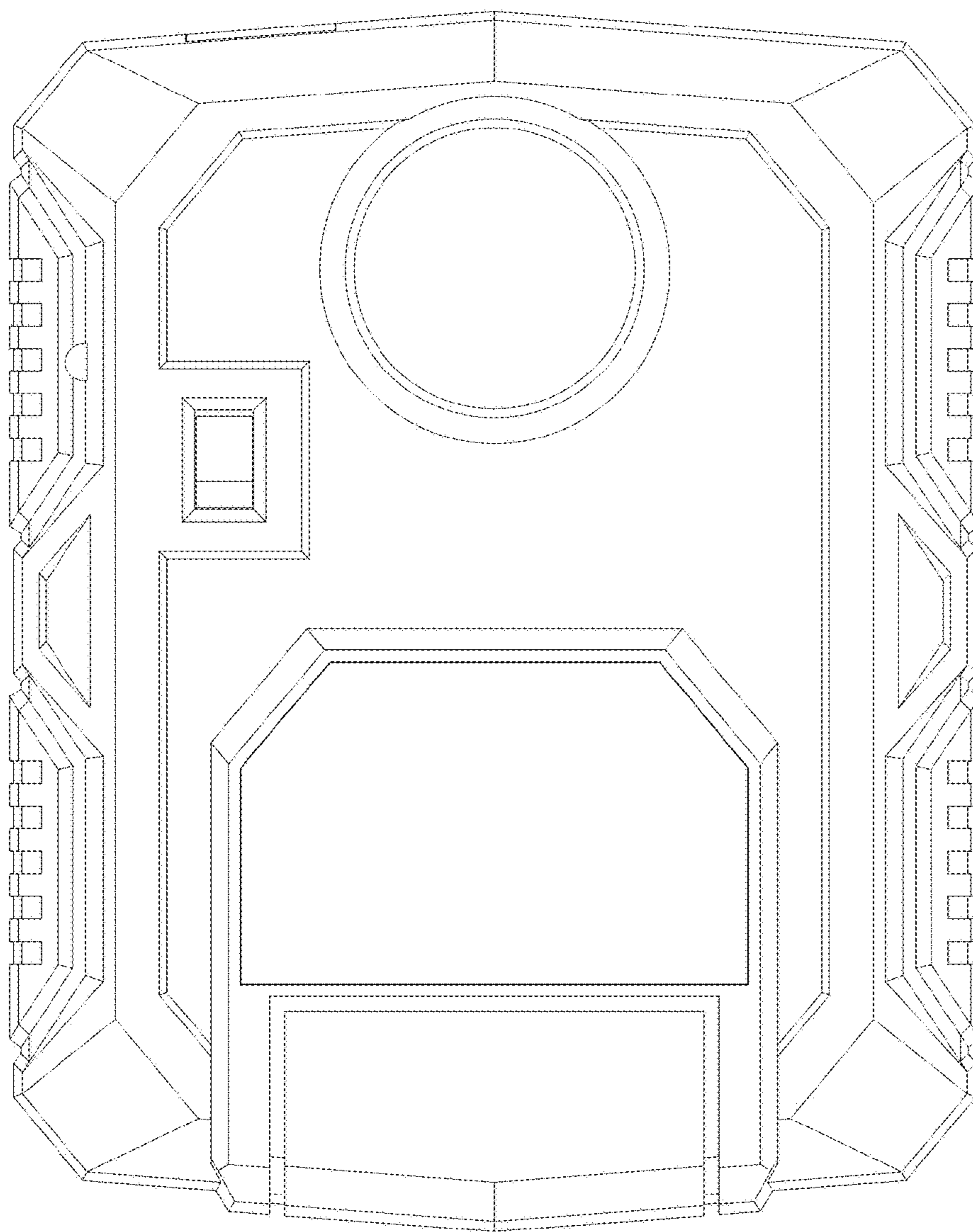


FIG. 1

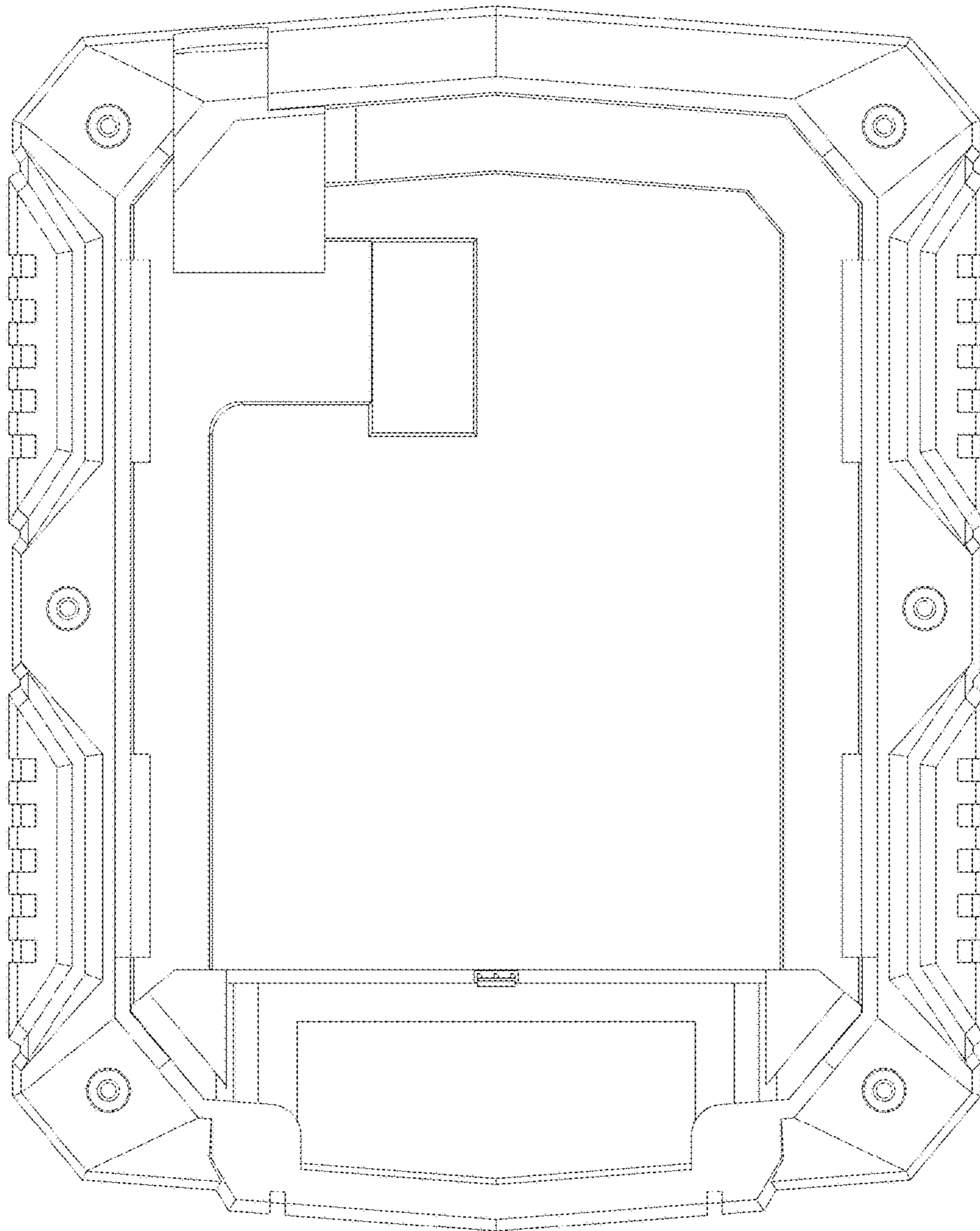


FIG. 2

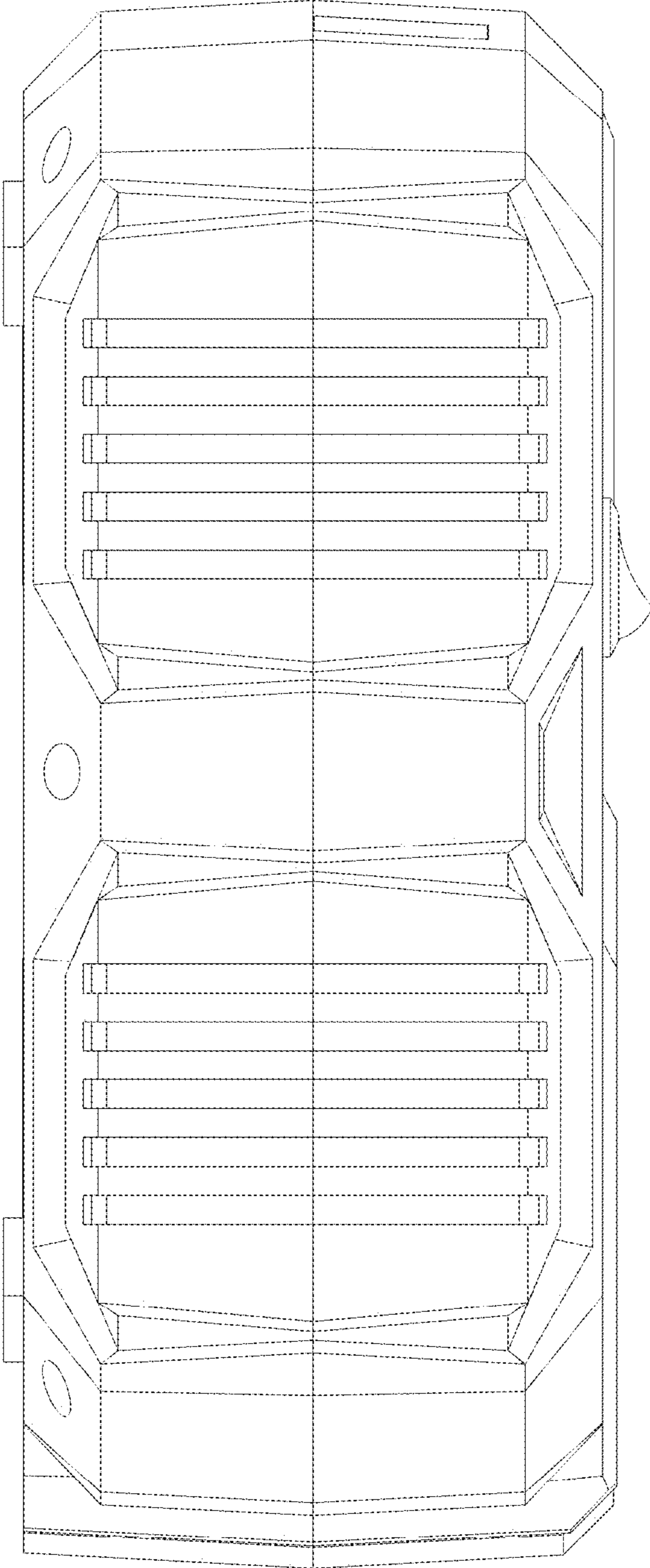


FIG. 3

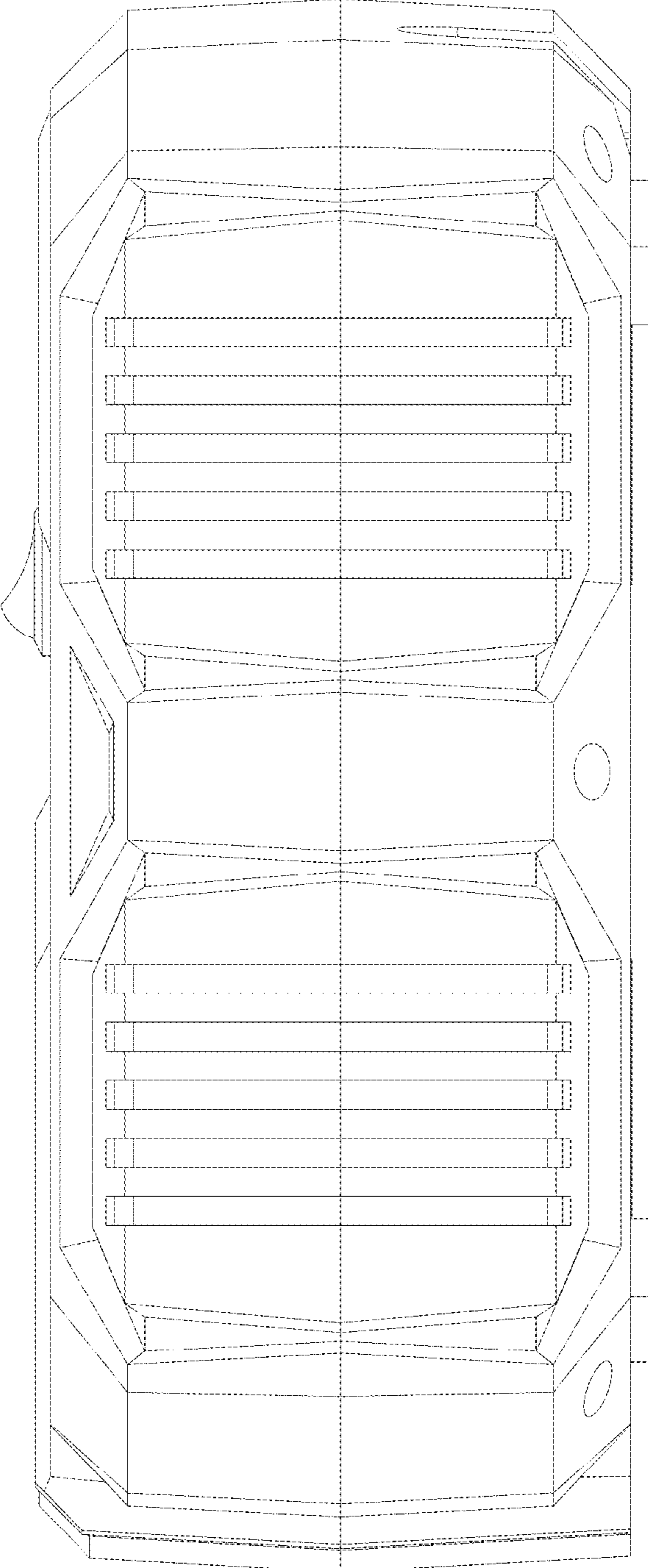


FIG. 4

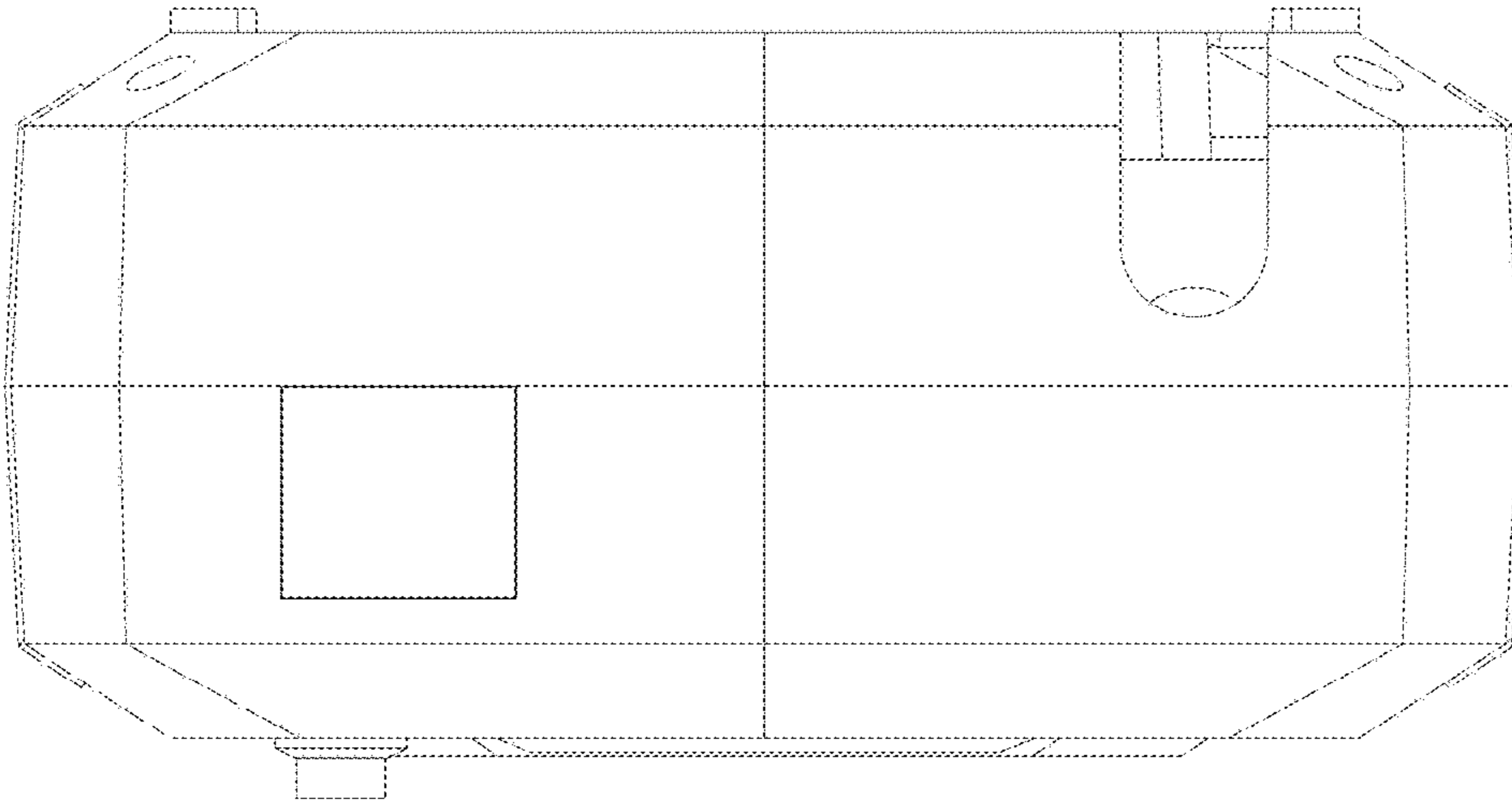


FIG. 5

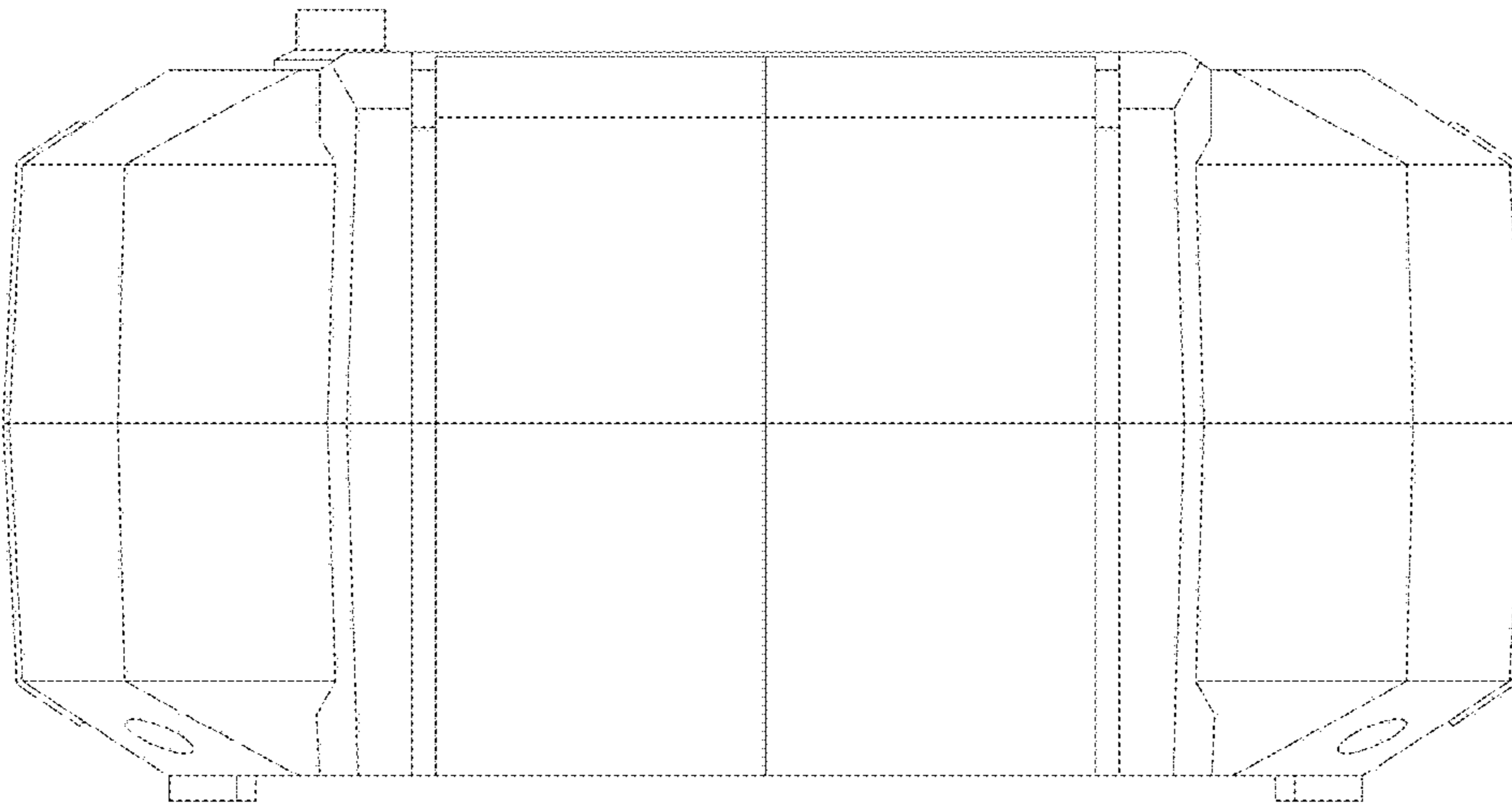


FIG. 6

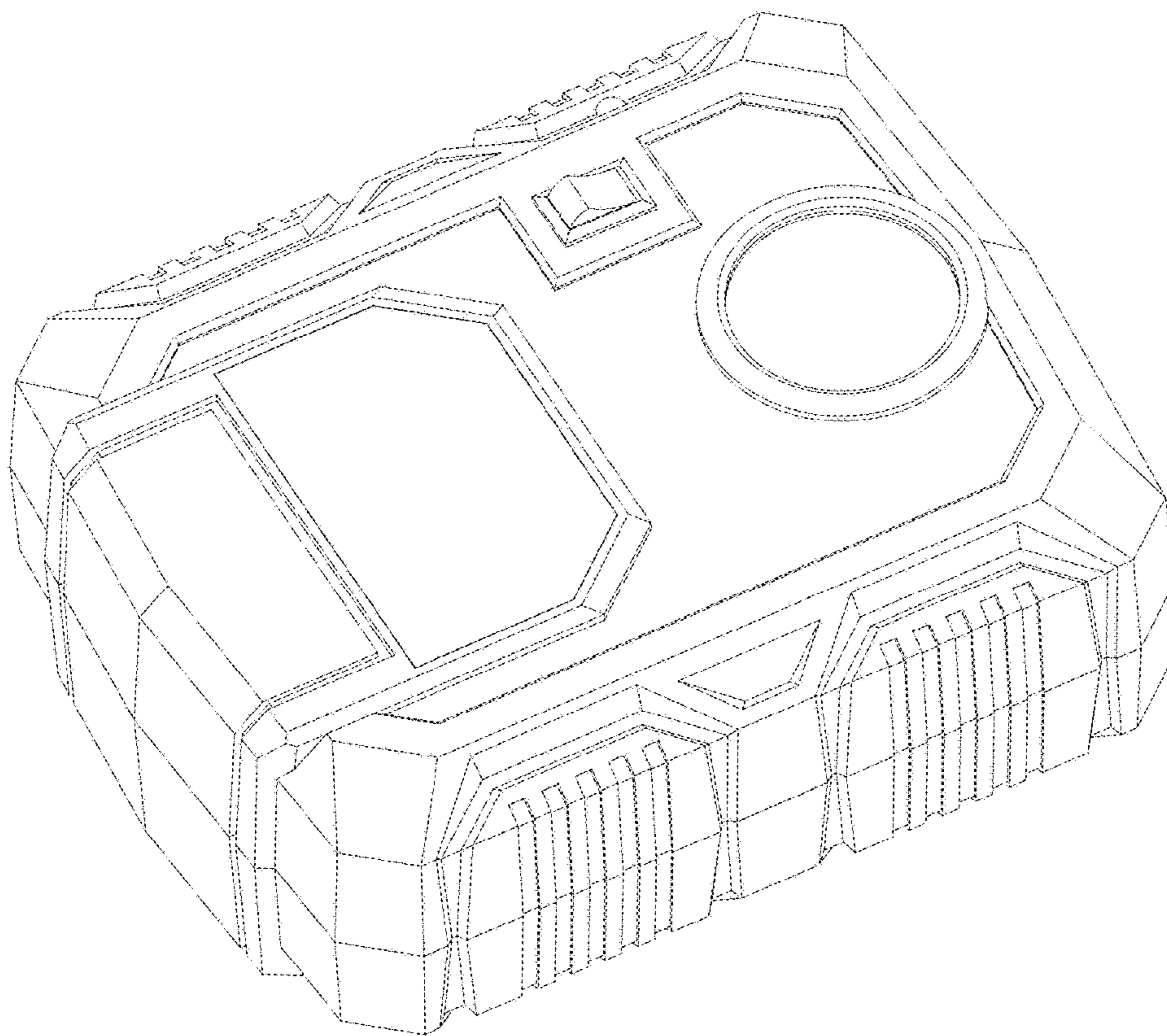


FIG. 7

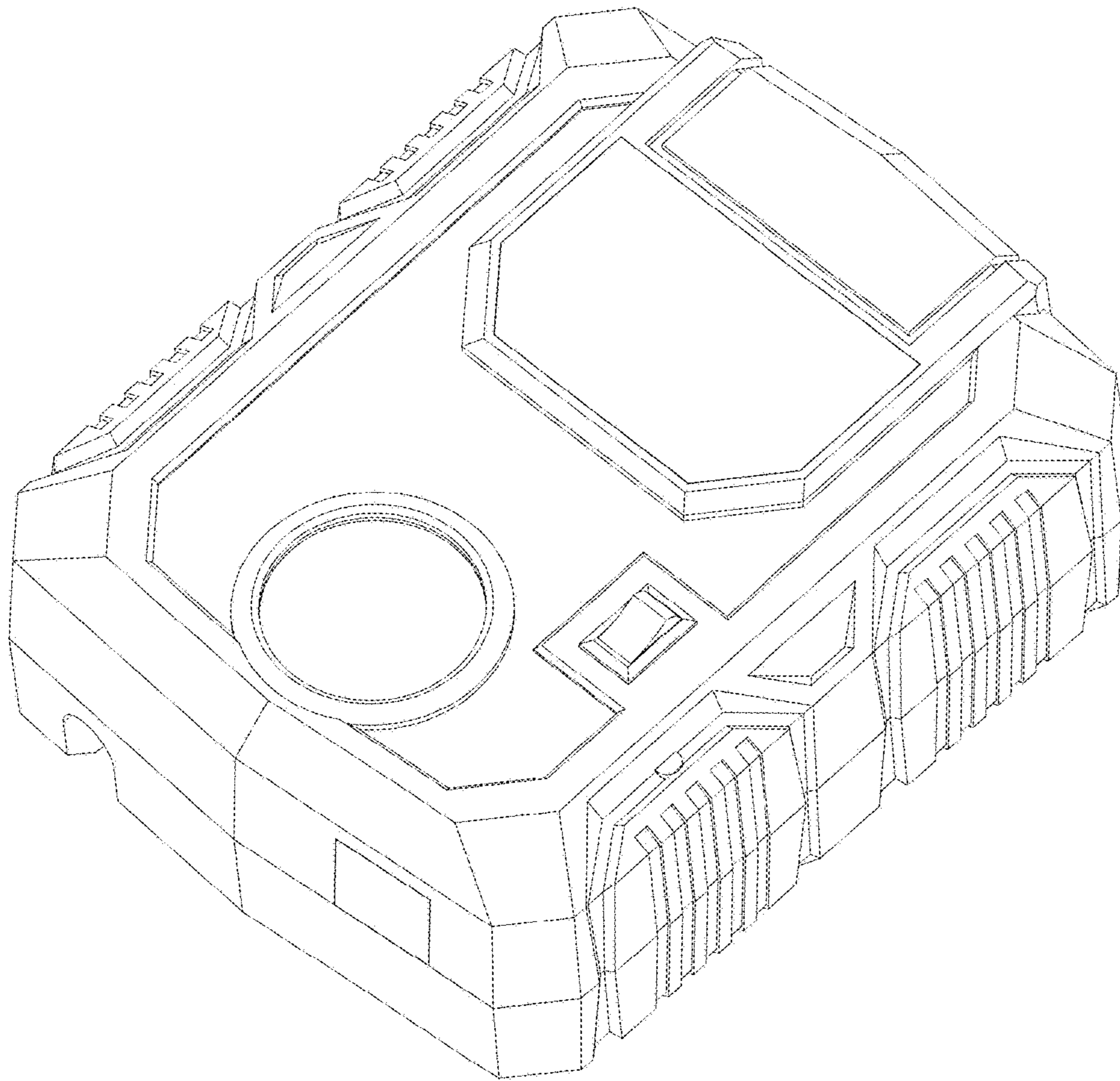


FIG. 8

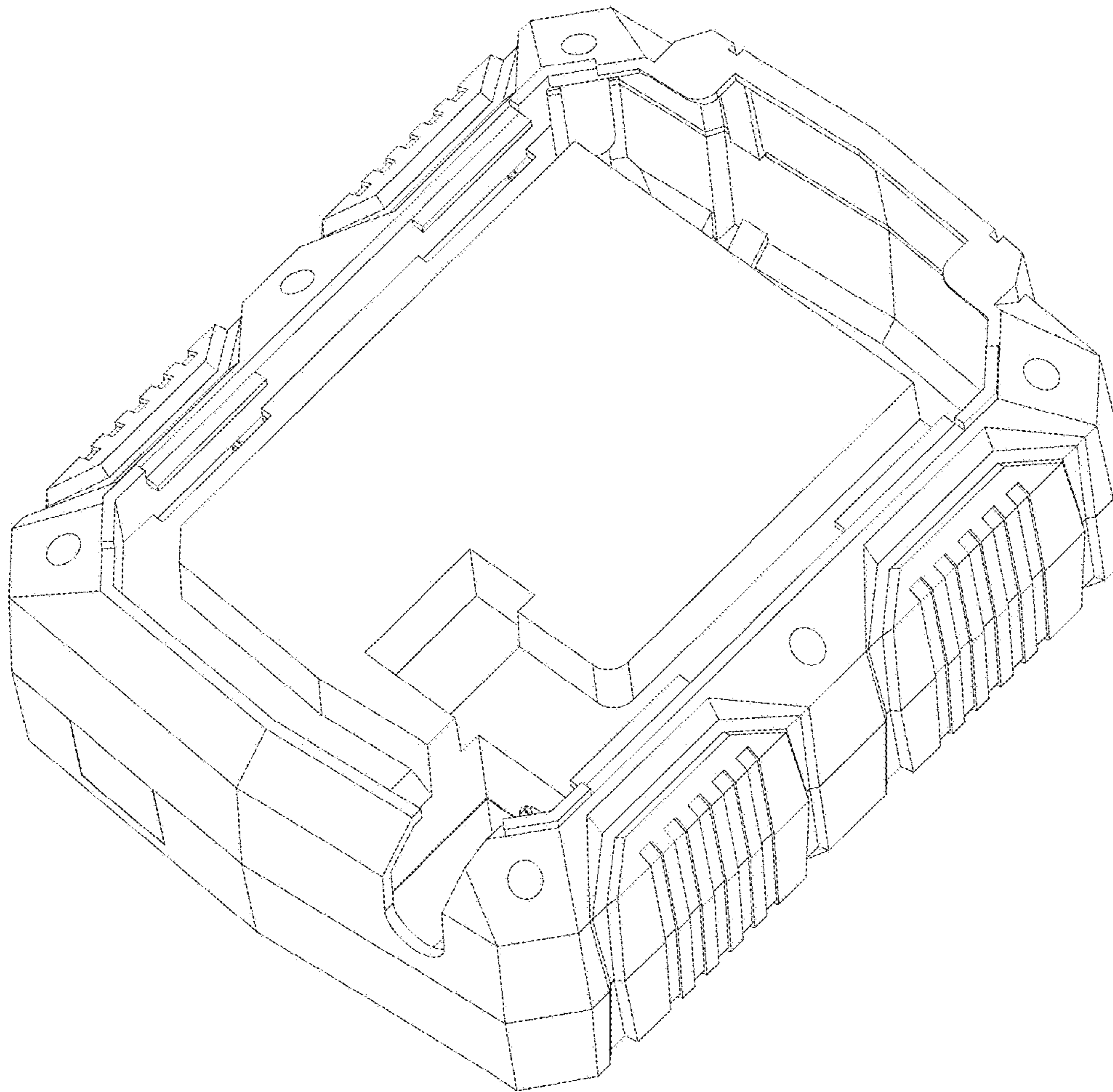


FIG. 9

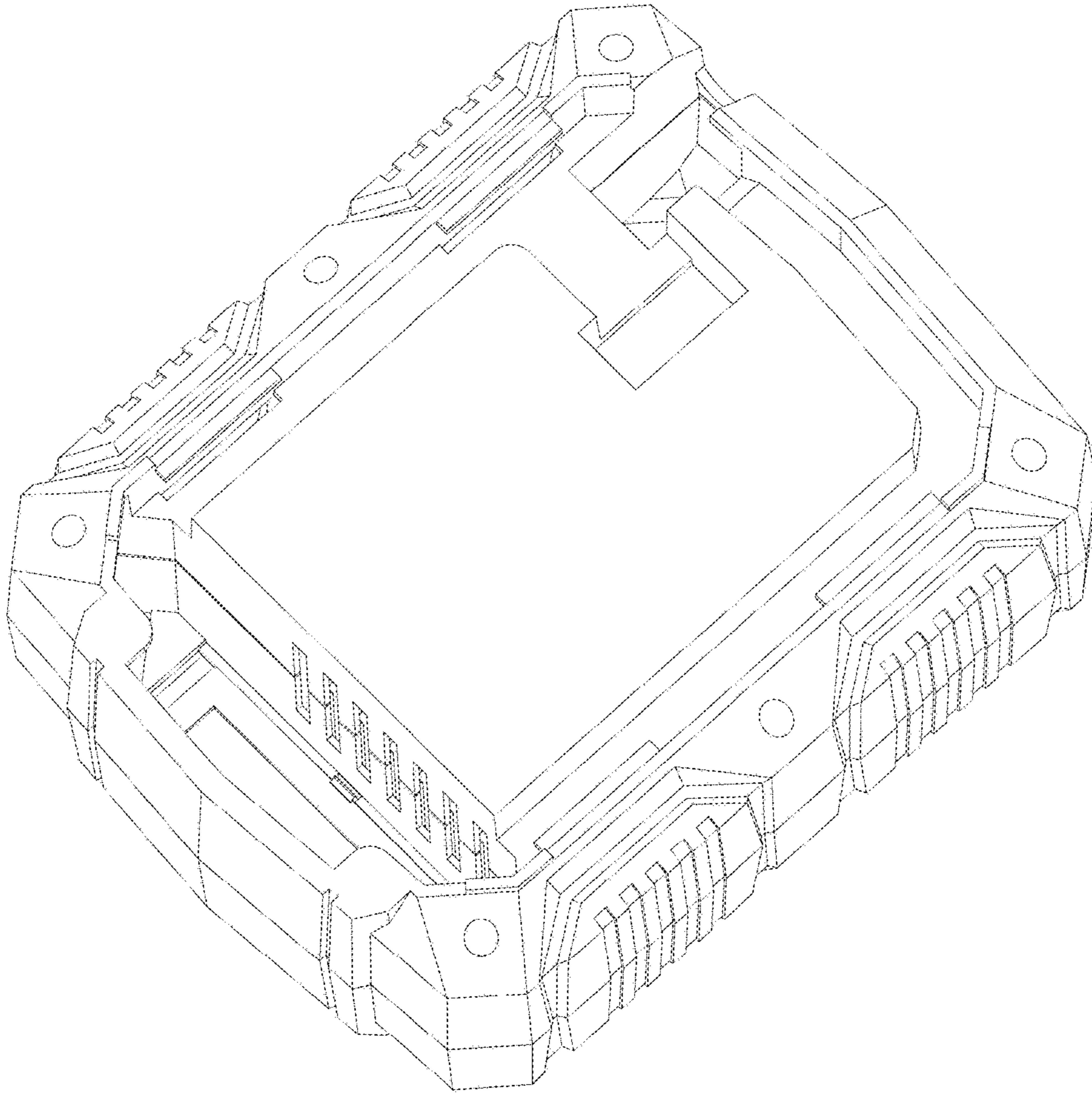


FIG. 10