



US00D832888S

(12) **United States Design Patent** (10) **Patent No.:** **US D832,888 S**
Nishida et al. (45) **Date of Patent:** **** Nov. 6, 2018**

(54) **ROTARY PUMP** D555,669 S * 11/2007 Preston D15/7
D557,709 S * 12/2007 Preston D15/7
(71) Applicant: **TAIHO KOGYO CO., LTD.,** D604,747 S * 11/2009 Hodge D15/9
Toyota-shi, Aichi (JP) 8,127,748 B2 * 3/2012 Yates F02C 7/236
123/508
(72) Inventors: **Shuhei Nishida,** Toyota (JP); **Satoshi** 8,882,472 B2 * 11/2014 Powell F02M 37/025
Ikeda, Toyota (JP); **Kazuya Mizuno,** 123/509
Toyota (JP); **Ken Nakamuta,** Toyota
(JP) D769,332 S * 10/2016 Varini D15/7
D771,715 S * 11/2016 Varini D15/7
D771,716 S * 11/2016 Varini D15/7
D771,717 S * 11/2016 Varini D15/7
(73) Assignee: **TAIHO KOGYO CO., LTD.,** D784,415 S * 4/2017 Chen D15/7
Toyota-shi, Aichi (JP) D784,416 S * 4/2017 Chen D15/7

(**) Term: **15 Years**

(21) Appl. No.: **29/598,980**

(22) Filed: **Mar. 30, 2017**

(30) **Foreign Application Priority Data**

Sep. 30, 2016 (JP) 2016-021349

(51) **LOC (11) Cl.** **15-02**

(52) **U.S. Cl.**
USPC **D15/7**

(58) **Field of Classification Search**
USPC D15/7-9; D23/231, 232, 225; 417/60,
417/235, 265, 321, 355, 358, 363, 359,
417/410.1, 415-416, 405, 900, 269, 539;
60/408, 412; 184/26-37; 415/140-147;
123/495, 509; 137/565.34
CPC F02M 37/04; F02M 37/14; F04B 53/92;
F04B 1/005; F04D 13/06; F04D 29/22;
F04D 29/046; F04D 29/2266
See application file for complete search history.

(56) **References Cited**

U.S. PATENT DOCUMENTS

D221,258 S * 7/1971 Saddler D15/7
D243,281 S * 2/1977 Pareja D15/7

* cited by examiner

Primary Examiner — Ralf Seifert

(74) *Attorney, Agent, or Firm* — Sughrue Mion, PLLC

(57) **CLAIM**

The ornamental design for a rotary pump, as shown and described.

DESCRIPTION

FIG. 1 is a perspective view of a rotary pump showing my design;
FIG. 2 is a rear view thereof;
FIG. 3 is a front view thereof;
FIG. 4 is a right side view thereof;
FIG. 5 is a left side view thereof;
FIG. 6 is a top plan view thereof;
FIG. 7 is a bottom view thereof;
FIG. 8 is a reference front view thereof; and,
FIG. 9 is a reference top plan view thereof.
The broken lines in the drawings are intended to show portions of the rotary pump that are not being claimed, and thus form no part of the claimed design

1 Claim, 5 Drawing Sheets

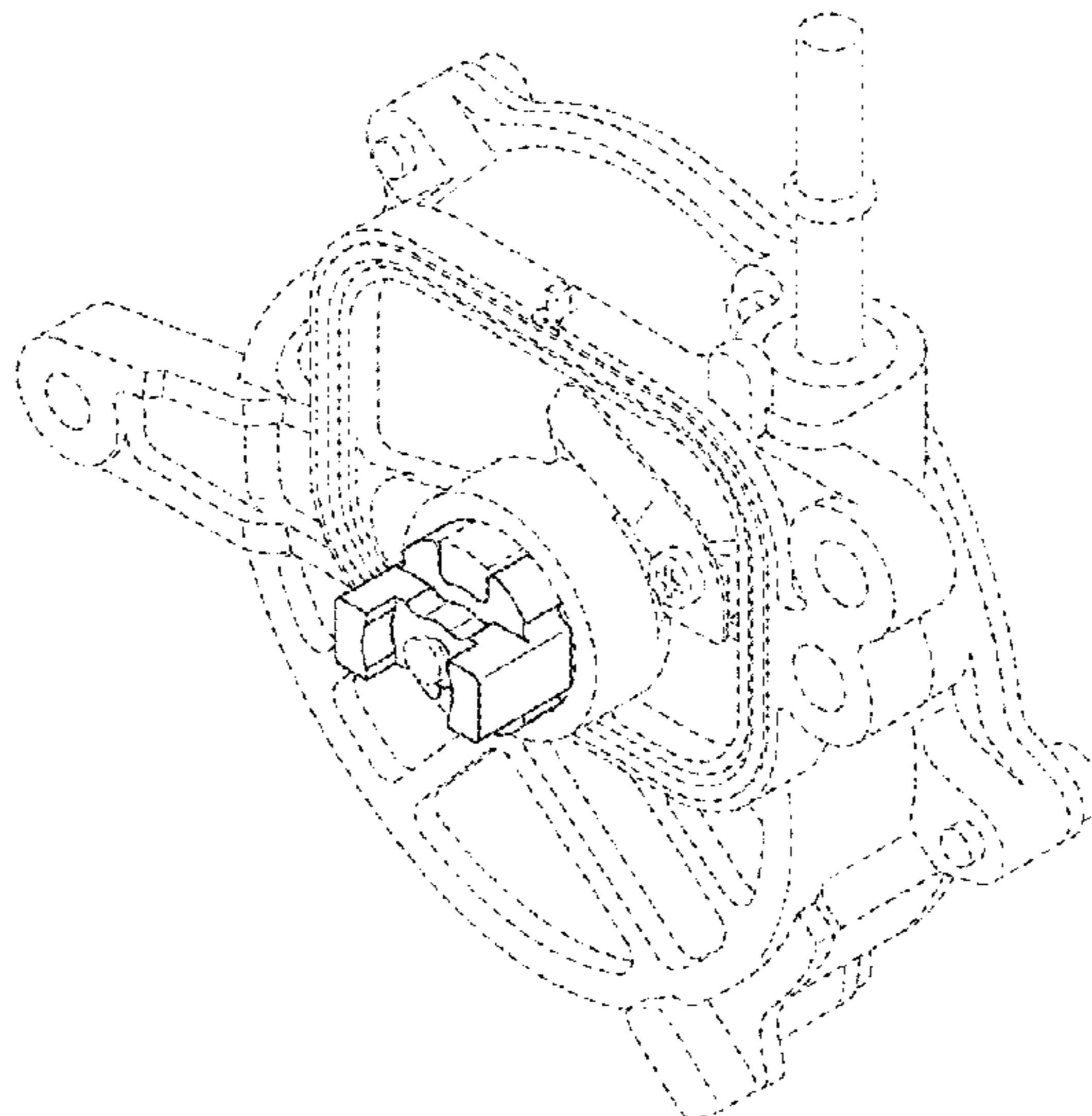


Fig. 1

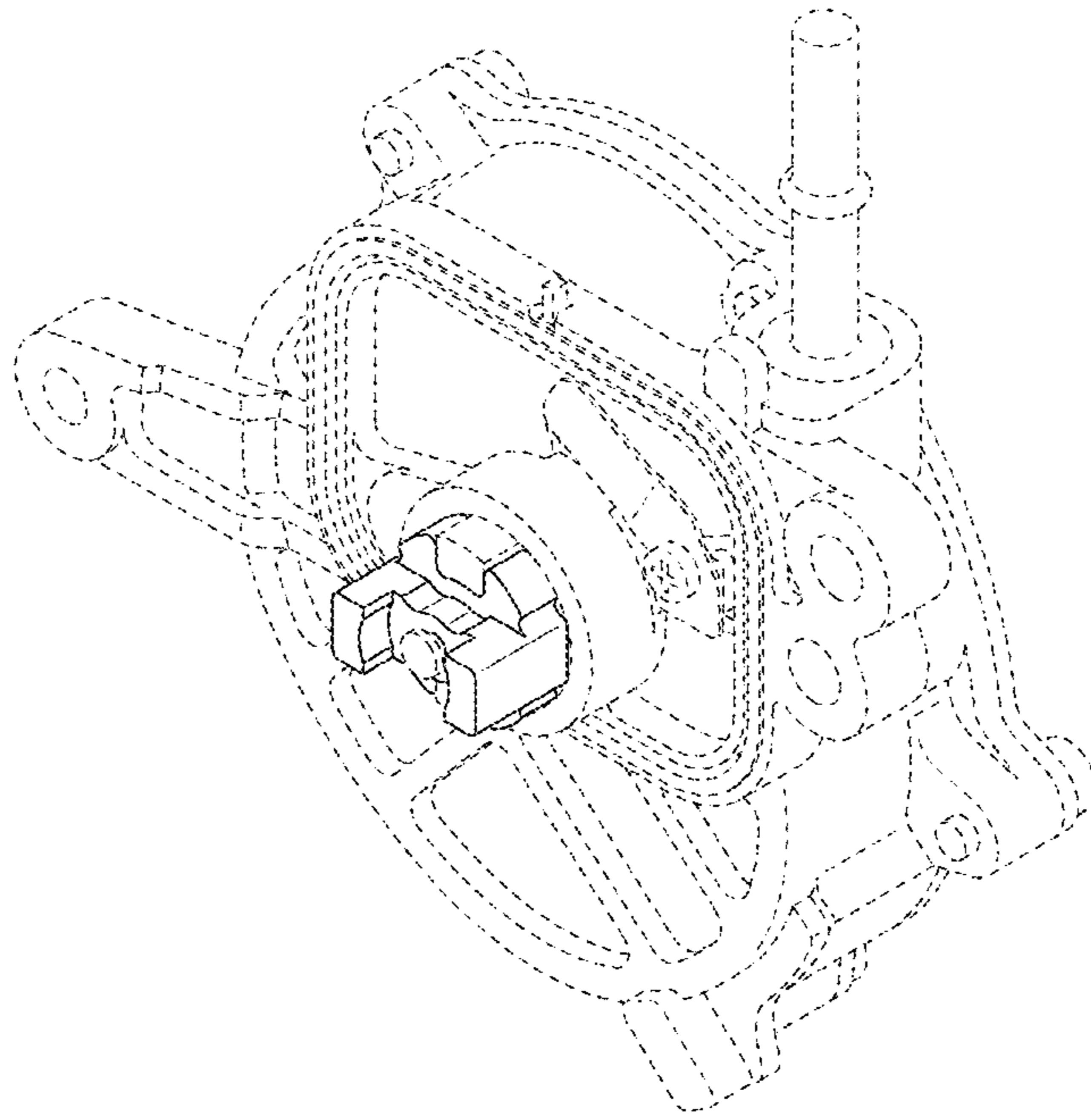


Fig. 2

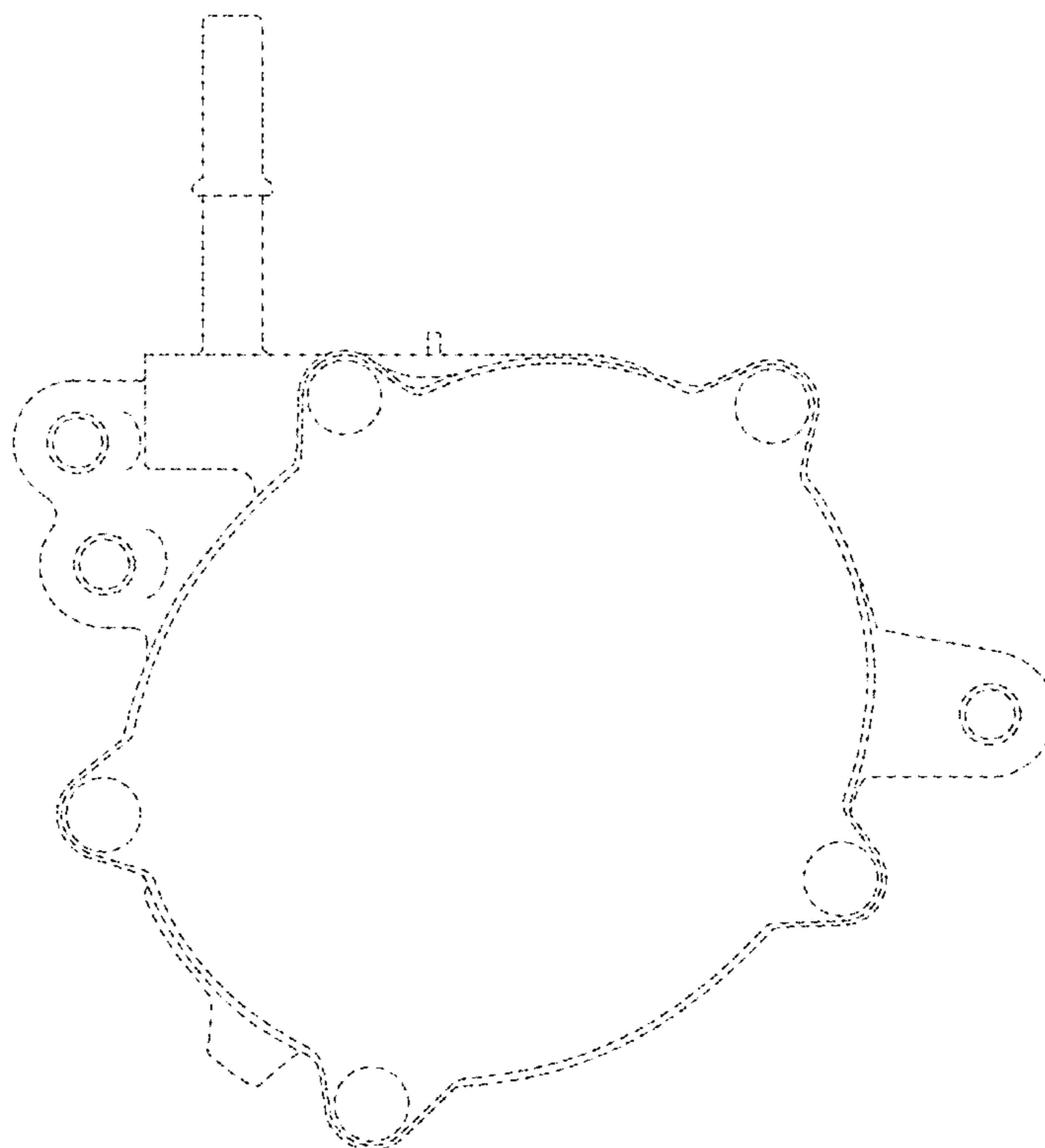


Fig. 3

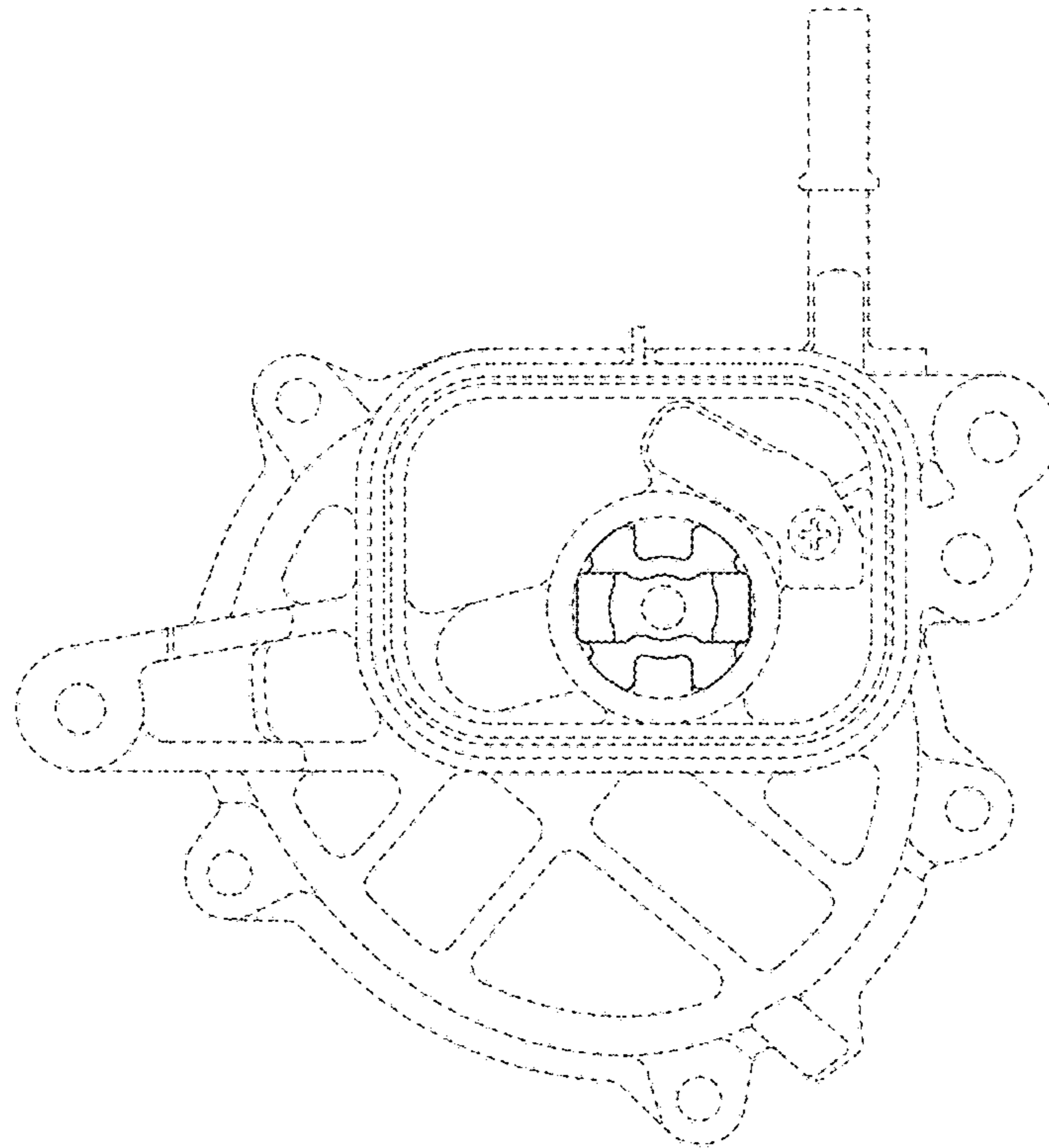


Fig. 4

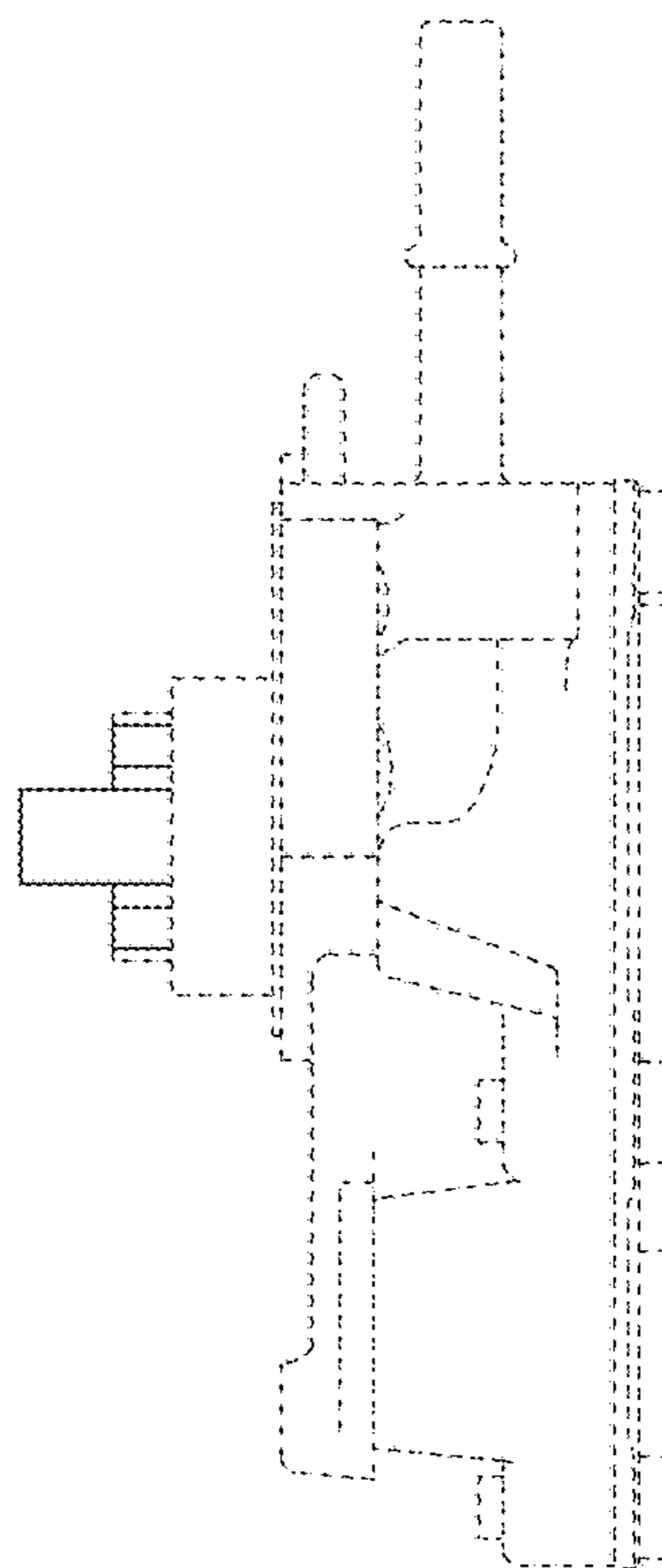


Fig. 5

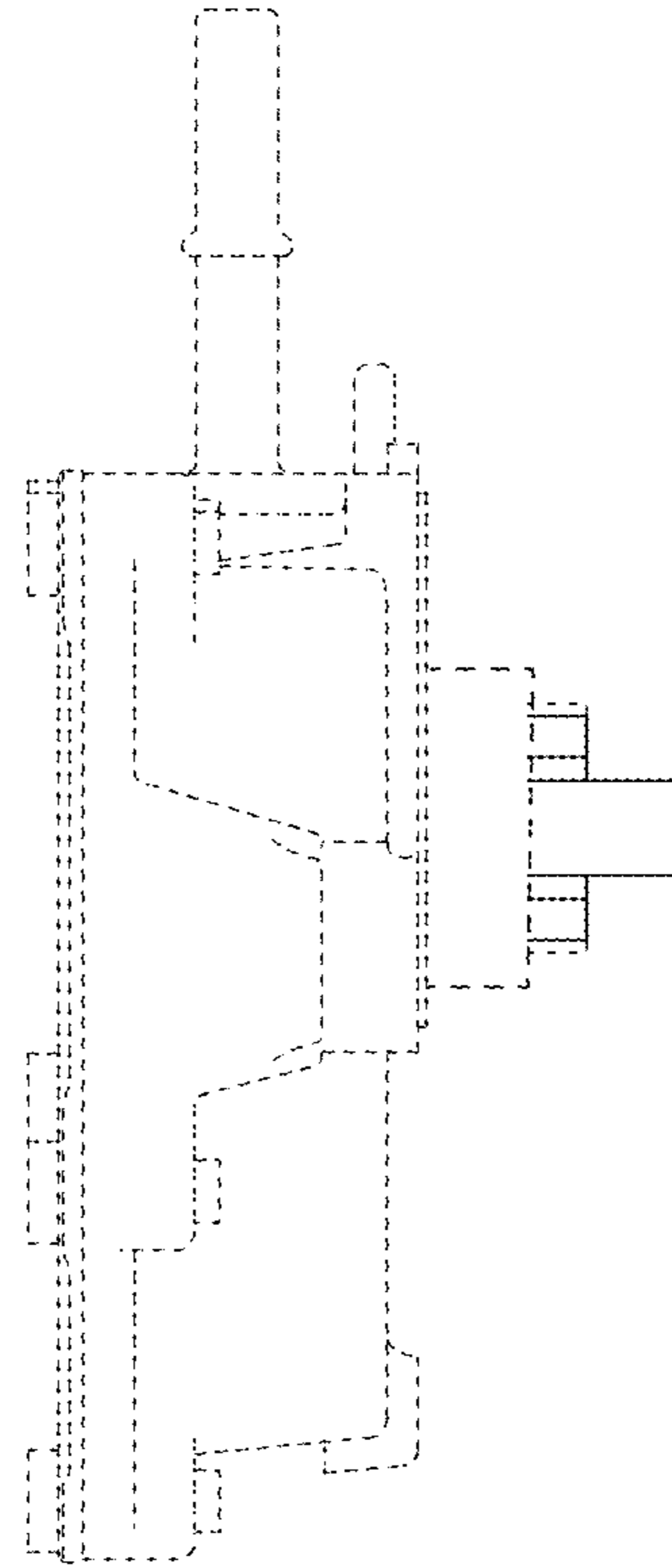


Fig. 6

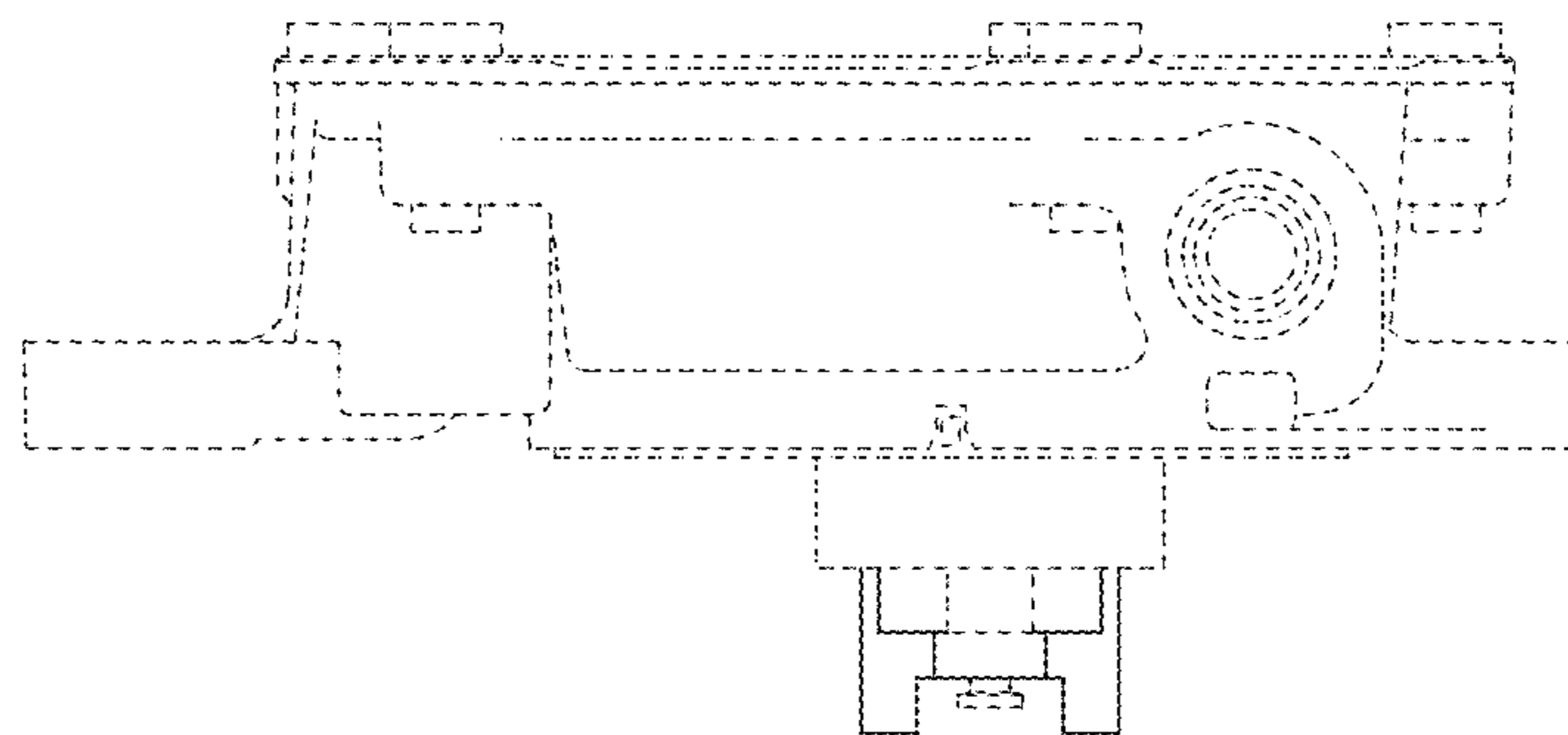


Fig. 7

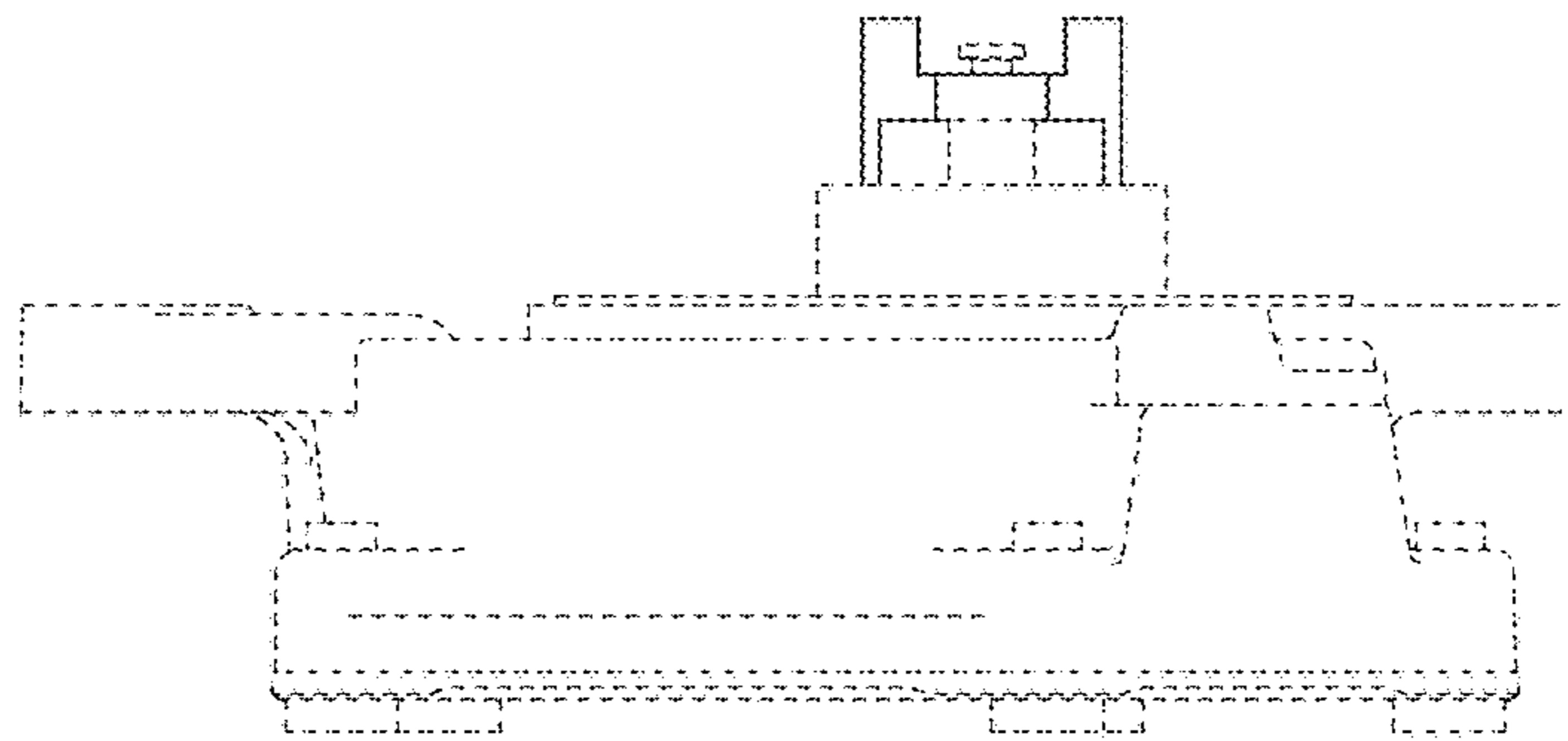


Fig. 8

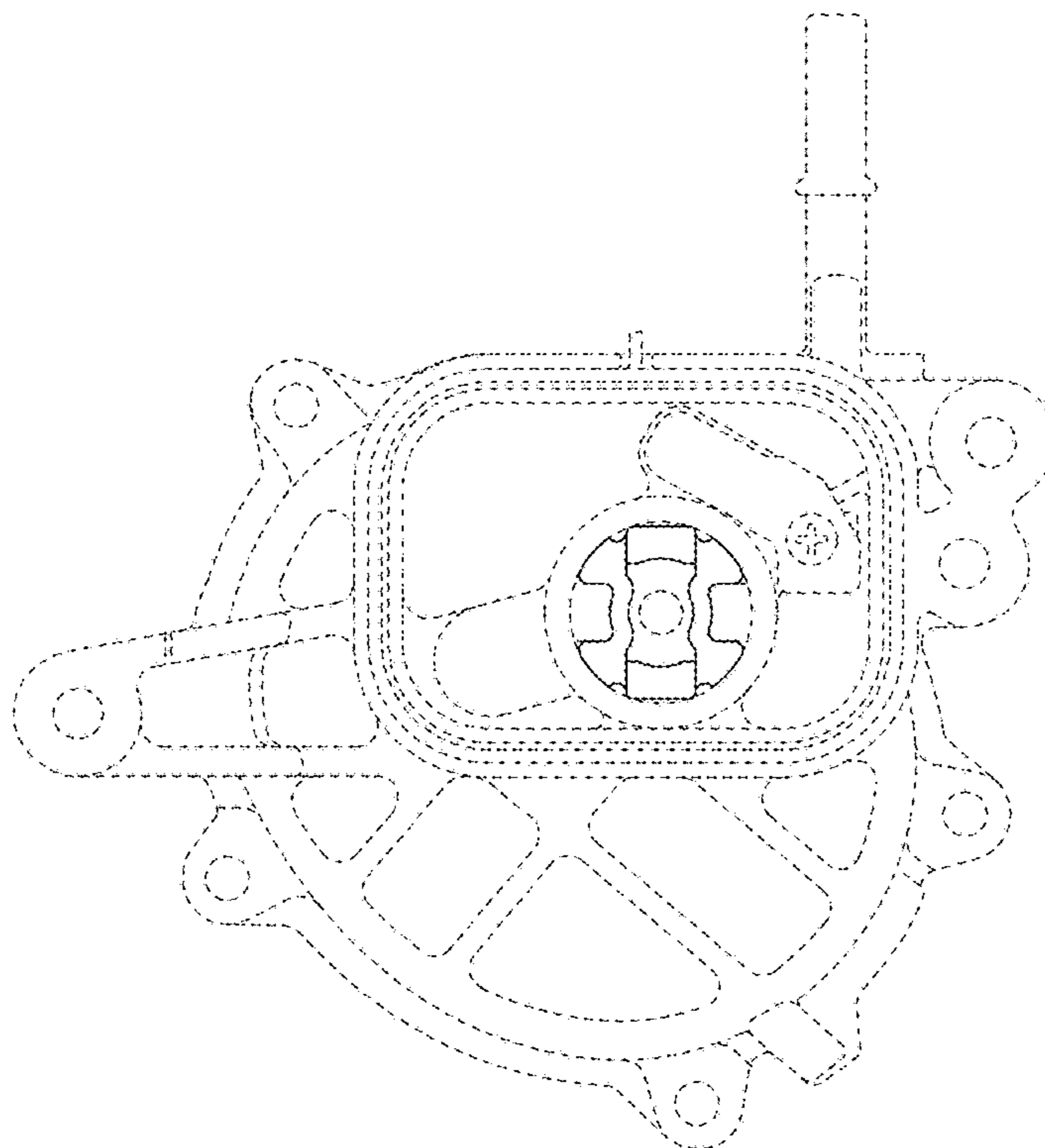


Fig. 9

